

US00D548206S

(12) **United States Design Patent**
Han

(10) **Patent No.:** **US D548,206 S**

(45) **Date of Patent:** **** Aug. 7, 2007**

(54) **TV RECEIVER**

(75) Inventor: **Kyu Mi Han**, Seoul (KR)

(73) Assignee: **Samsung Electronics Co., Ltd.** (KR)

(**) Term: **14 Years**

(21) Appl. No.: **29/245,659**

(22) Filed: **Dec. 27, 2005**

(30) **Foreign Application Priority Data**

Aug. 31, 2005 (KR) 30-2005-0029394

(51) **LOC (8) Cl.** **14-03**

(52) **U.S. Cl.** **D14/126**

(58) **Field of Classification Search** D14/125-135,
D14/239, 379, 371, 374, 375, 376; D13/151,
D13/153; 312/7.2; 348/836, 838, 180, 184,
348/325; 341/12; 248/917-924; 345/104,
345/133, 156, 168, 87, 173

See application file for complete search history.

(56) **References Cited**

U.S. PATENT DOCUMENTS

| | | | | |
|--------------|---------|---------------|-------|---------|
| D392,628 S * | 3/1998 | Hayashi | | D14/126 |
| D416,549 S * | 11/1999 | Coster et al. | | D14/126 |
| D460,425 S * | 7/2002 | Joe | | D14/126 |
| D462,353 S * | 9/2002 | Kita | | D14/374 |
| D486,803 S * | 2/2004 | Fujiki et al. | | D14/126 |
| D488,451 S * | 4/2004 | Niitsu | | D14/126 |
| D494,148 S * | 8/2004 | Huang et al. | | D14/126 |

| | | | | |
|--------------|---------|---------------|-------|---------|
| D502,154 S * | 2/2005 | Peng | | D14/126 |
| D510,328 S * | 10/2005 | Shih et al. | | D14/126 |
| D510,918 S * | 10/2005 | Kubota et al. | | D14/126 |
| D512,034 S * | 11/2005 | Peng | | D14/129 |

* cited by examiner

Primary Examiner—Raphael Barkai

Assistant Examiner—Randall H. Gholson

(74) *Attorney, Agent, or Firm*—Irving Keschner

(57) **CLAIM**

The ornamental design for TV receiver, as shown.

DESCRIPTION

FIG. 1 is a perspective view of the ornamental design of the present invention;

FIG. 2 is a front elevational view of the ornamental design of the present invention;

FIG. 3 is a rear elevational view of the ornamental design of the present invention;

FIG. 4 is a left side elevational view of the ornamental design of the present invention;

FIG. 5 is a right side elevational view of the ornamental design of the present invention;

FIG. 6 is a top plan view of the ornamental design of the present invention; and,

FIG. 7 is a bottom view of the ornamental design of the present invention.

1 Claim, 4 Drawing Sheets

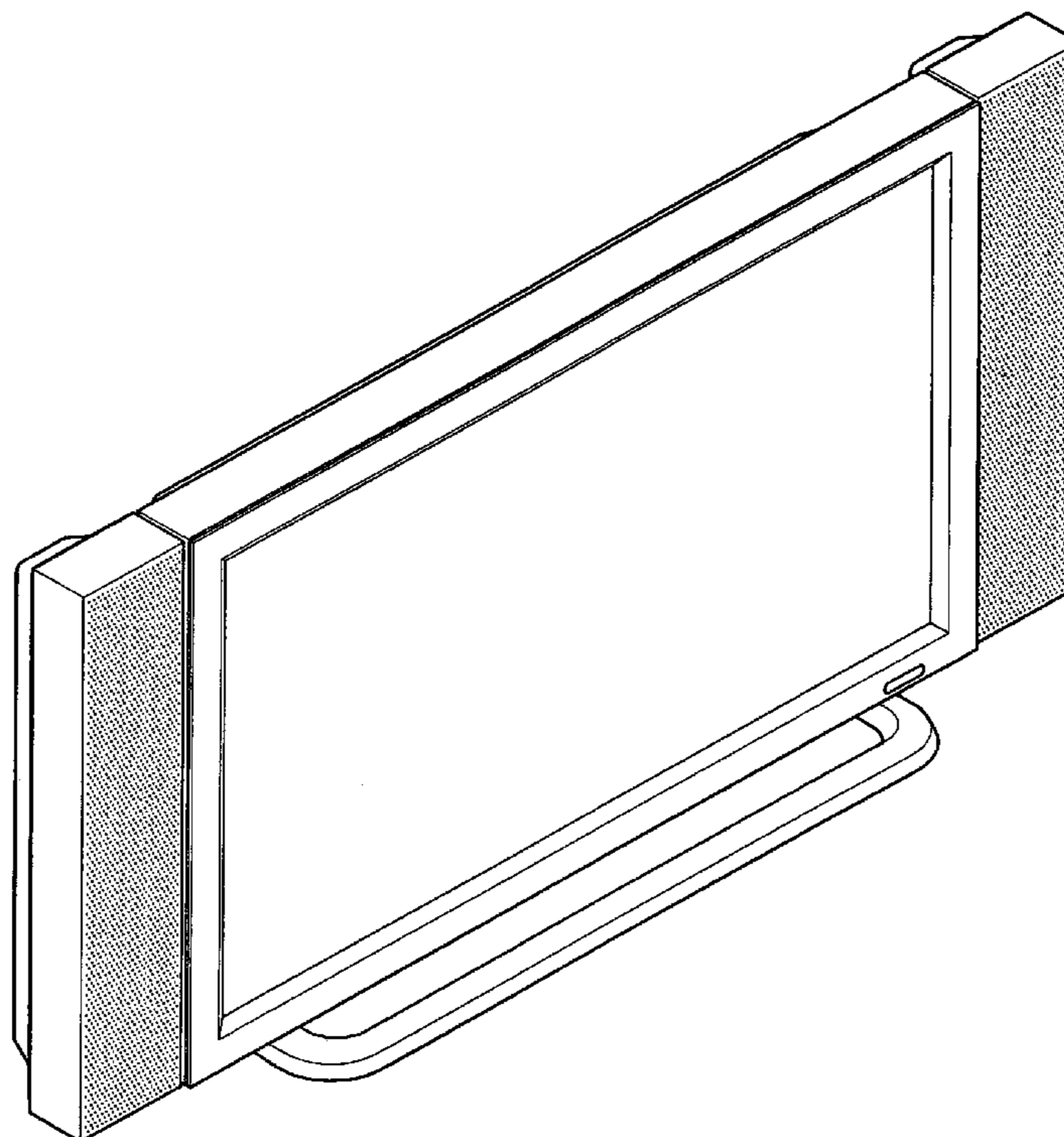


Fig. 1

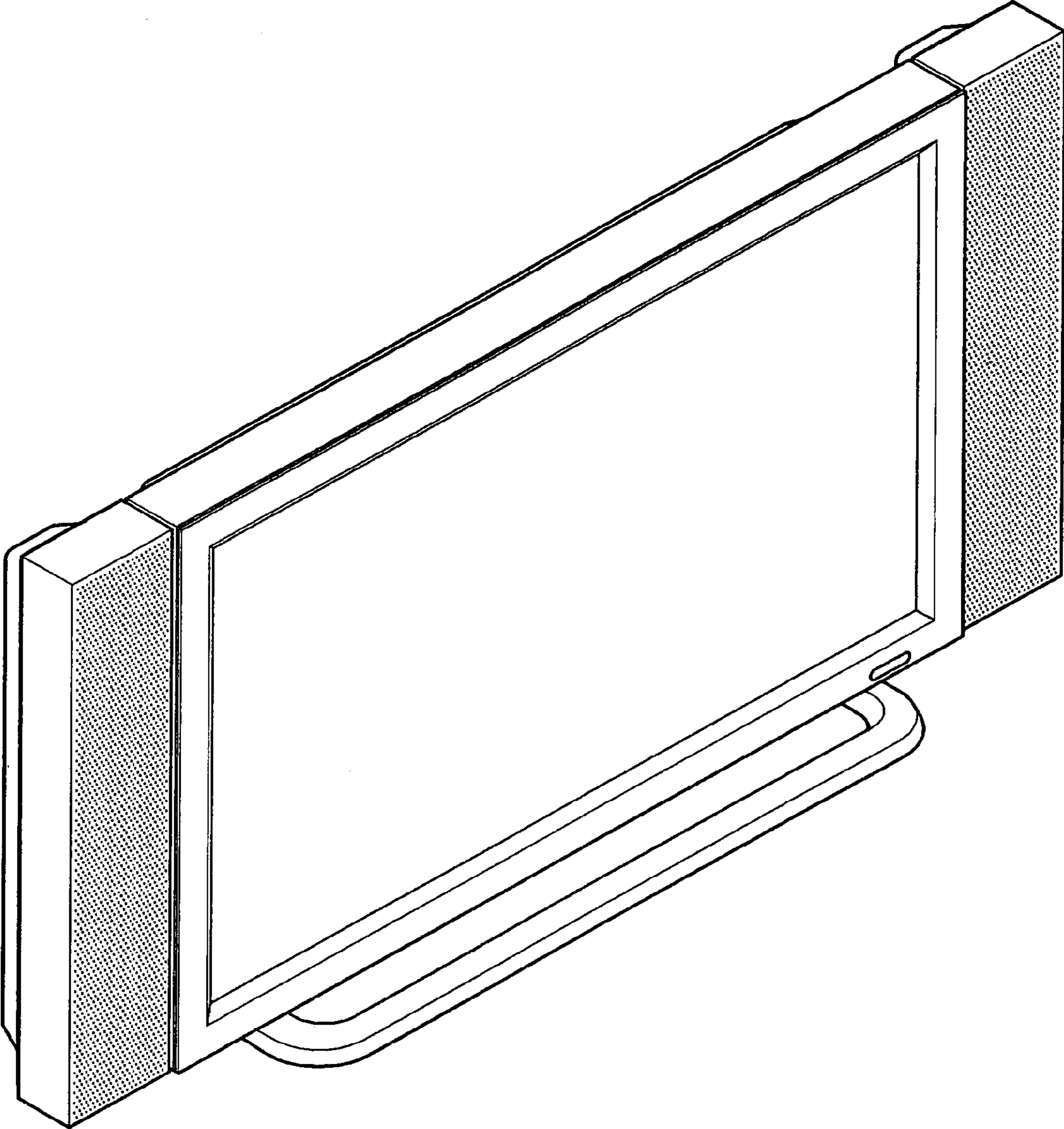


Fig. 2

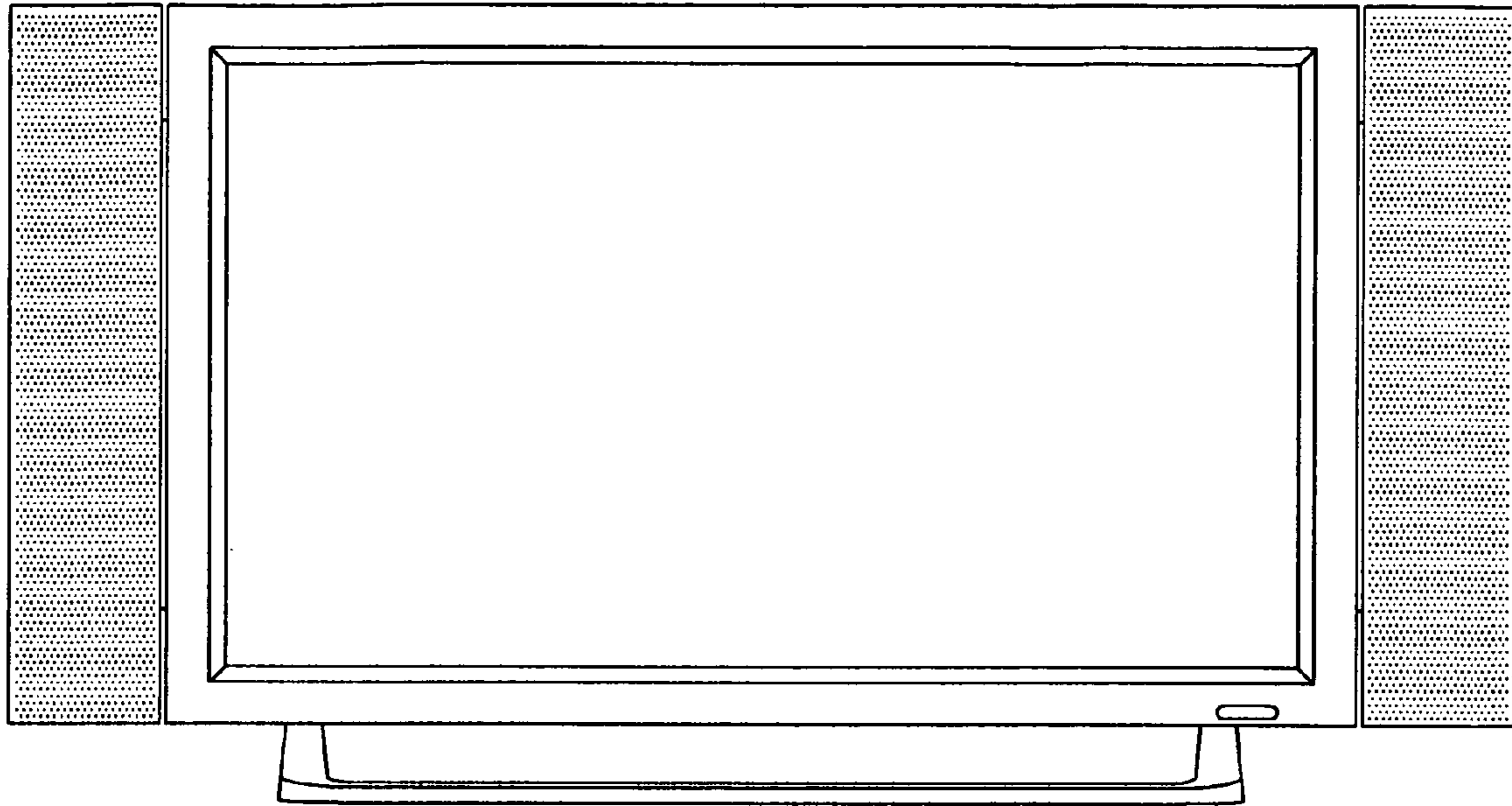


Fig. 3

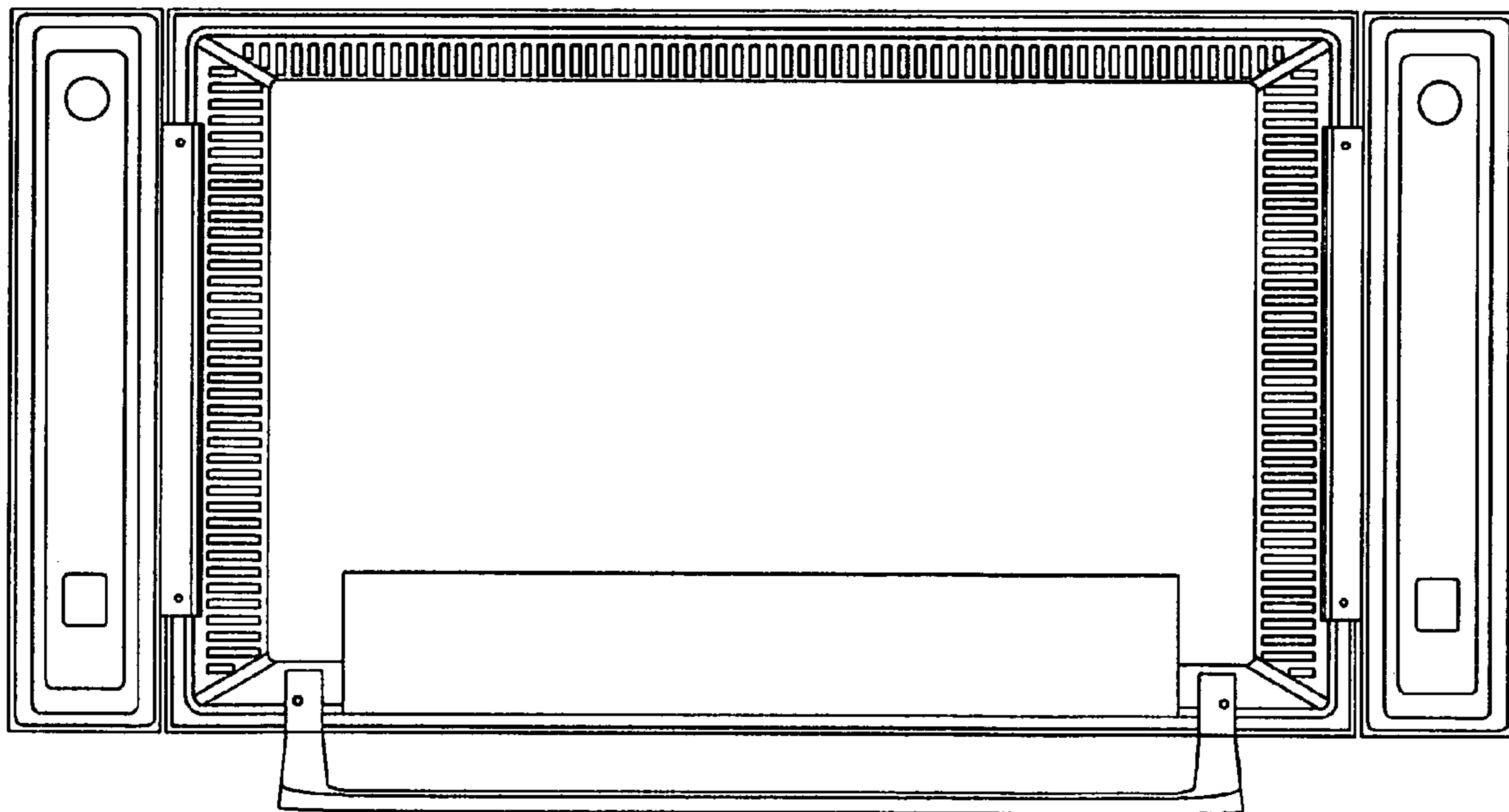


Fig. 4

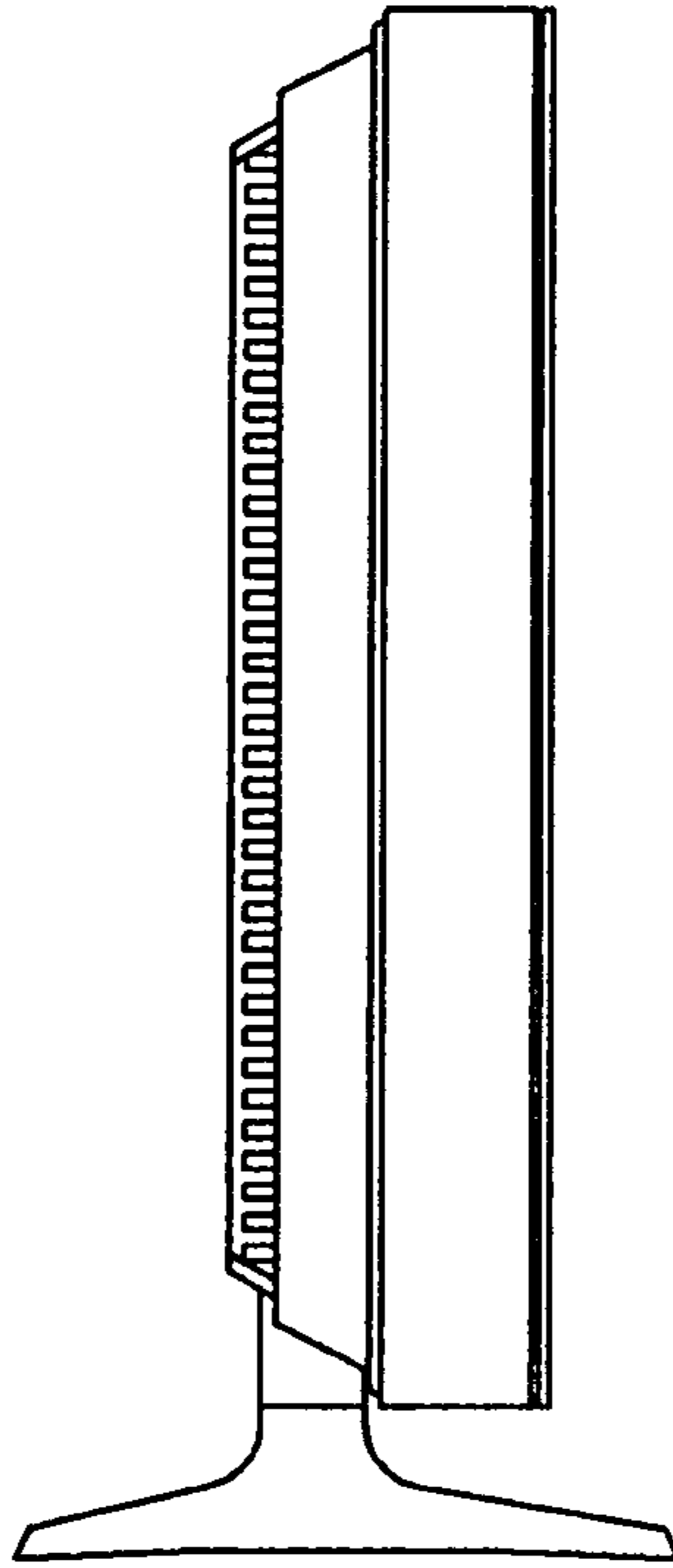


Fig. 5

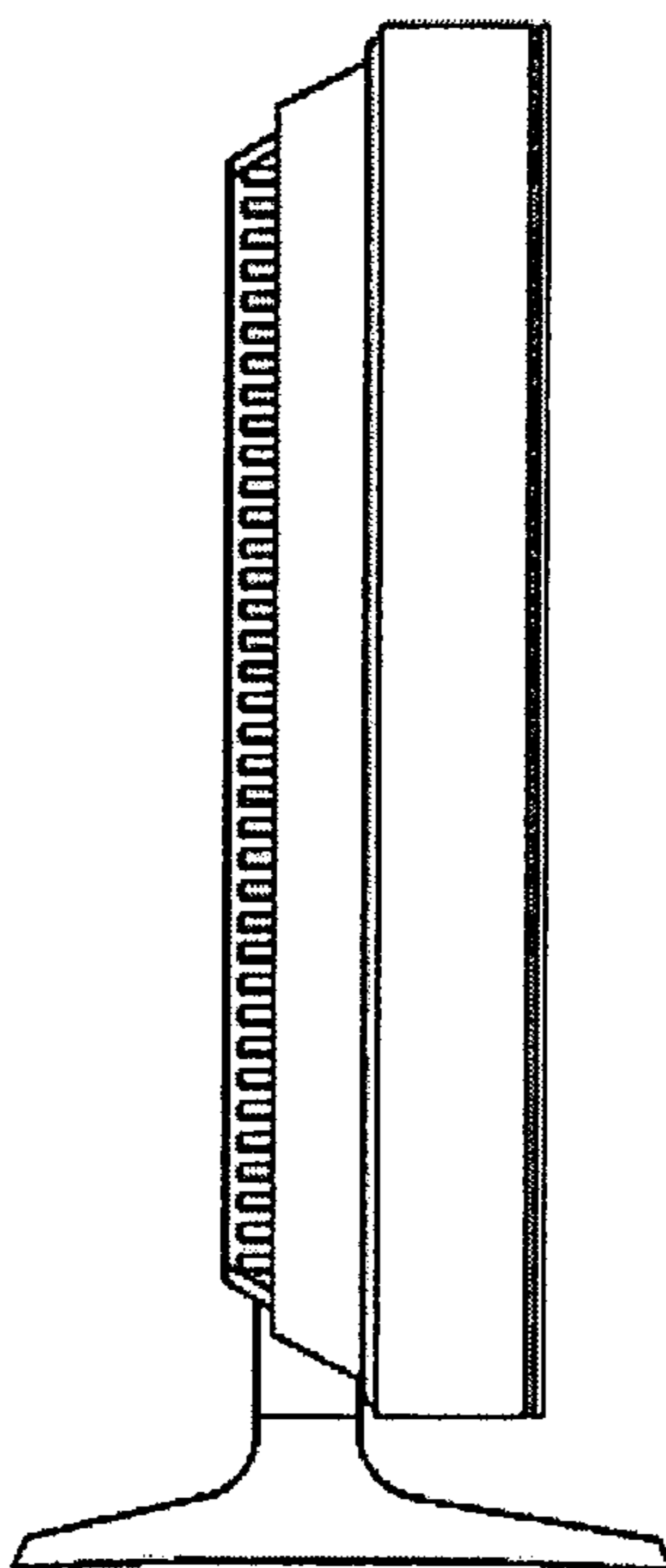


Fig. 6

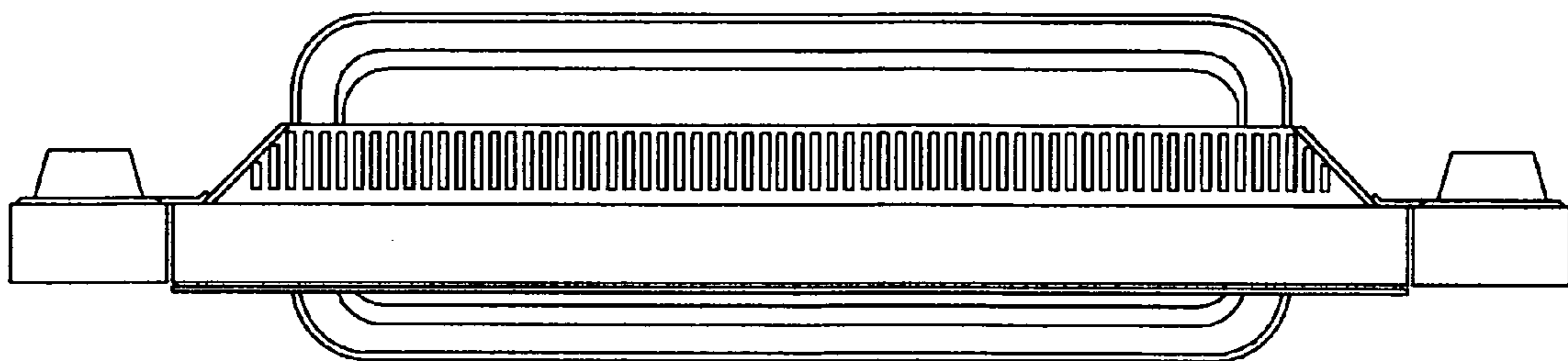


Fig. 7

