



US00D548202S

(12) **United States Design Patent**  
**Takahashi**

(10) **Patent No.:** **US D548,202 S**

(45) **Date of Patent:** **\*\* Aug. 7, 2007**

(54) **SEMICONDUCTOR**

(75) Inventor: **Ichiro Takahashi**, Suginami-ku (JP)

(73) Assignee: **Kabushiki Kaisha Toshiba** (JP)

(\*\*) Term: **14 Years**

(21) Appl. No.: **29/264,891**

(22) Filed: **Aug. 22, 2006**

(30) **Foreign Application Priority Data**

Apr. 17, 2006 (JP) ..... 2006-009884

(51) **LOC (8) Cl.** ..... **13-03**

(52) **U.S. Cl.** ..... **D13/182**

(58) **Field of Classification Search** ..... D13/133,  
D13/146-147, 149, 154, 182, 184; 174/250,  
174/253; 257/666, 694, 696; 361/760, 820  
See application file for complete search history.

(56) **References Cited**

**U.S. PATENT DOCUMENTS**

D288,922 S	*	3/1987	Olla	.....	D13/182
D357,462 S	*	4/1995	Terasawa et al.	.....	D13/182
D358,806 S	*	5/1995	Siegel et al.	.....	D13/182
D359,028 S	*	6/1995	Siegel et al.	.....	D13/182
5,557,504 A	*	9/1996	Siegel et al.	.....	361/773
D397,092 S	*	8/1998	Sano et al.	.....	D13/182
D401,912 S	*	12/1998	Majumdar et al.	.....	D13/182

D448,739 S	*	10/2001	Iwasaki et al.	.....	D13/182
D505,399 S	*	5/2005	Yoshida et al.	.....	D13/182
D505,400 S	*	5/2005	Kawafuji et al.	.....	D13/182
2003/0042584 A1	*	3/2003	Yamaguchi	.....	257/666

**FOREIGN PATENT DOCUMENTS**

JP	D801093	11/1990
JP	D946124	2/1996
JP	D982886	6/1997
TW	D106269	9/2005

\* cited by examiner

*Primary Examiner*—Daniel Bui

(74) *Attorney, Agent, or Firm*—Banner & Witcoff, Ltd.

(57) **CLAIM**

The ornamental design for a semiconductor, as shown and described.

**DESCRIPTION**

FIG. 1 is a bottom, front and right side perspective view of a semiconductor showing my new design, FIG. 2 is a front elevational view thereof, FIG. 3 is a rear elevational view thereof, FIG. 4 is a left side elevational view thereof, FIG. 5 is a right side elevational view thereof, FIG. 6 is a top plan view thereof; and, FIG. 7 is a bottom plan view thereof.

**1 Claim, 4 Drawing Sheets**

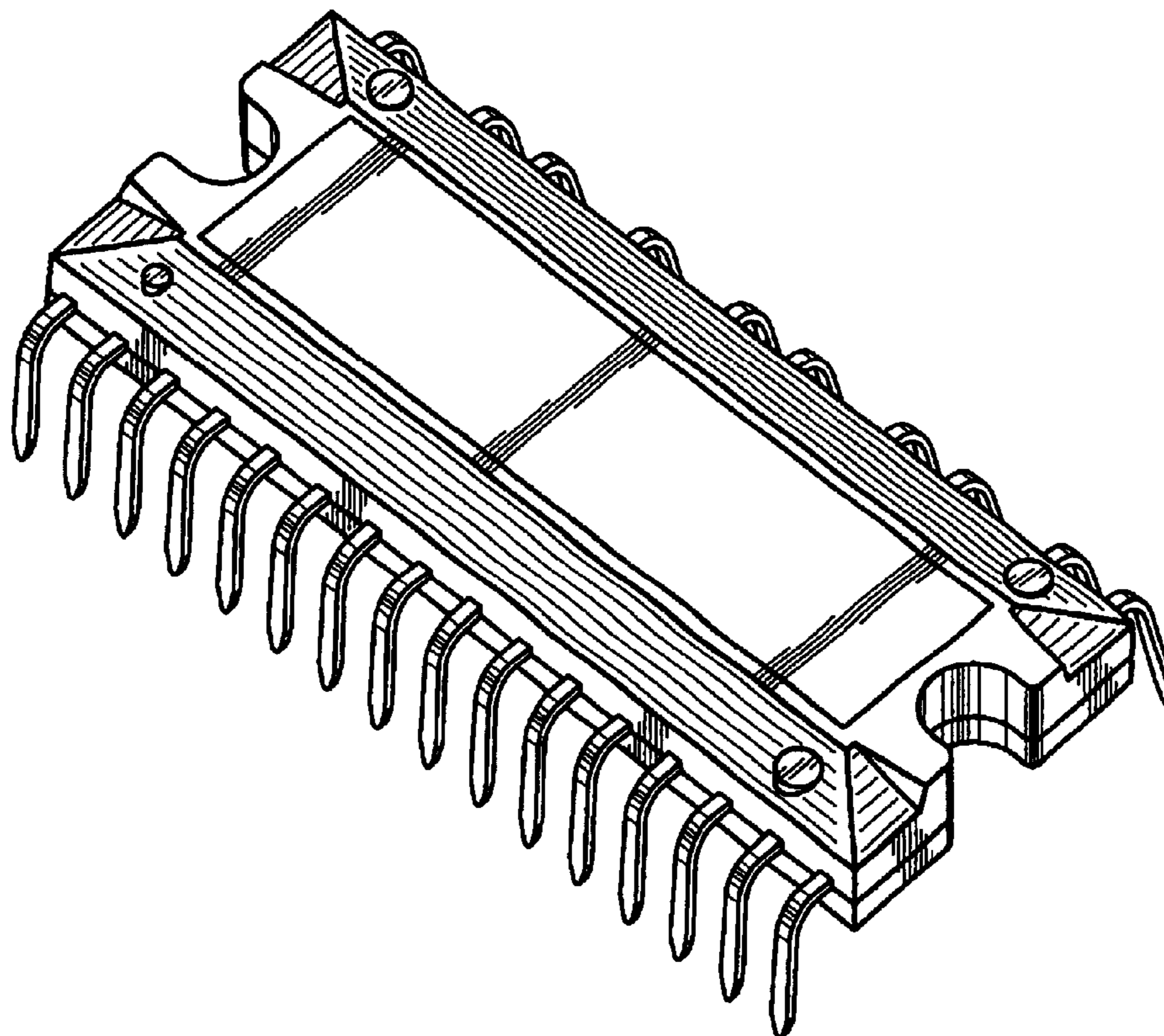


FIG. 1

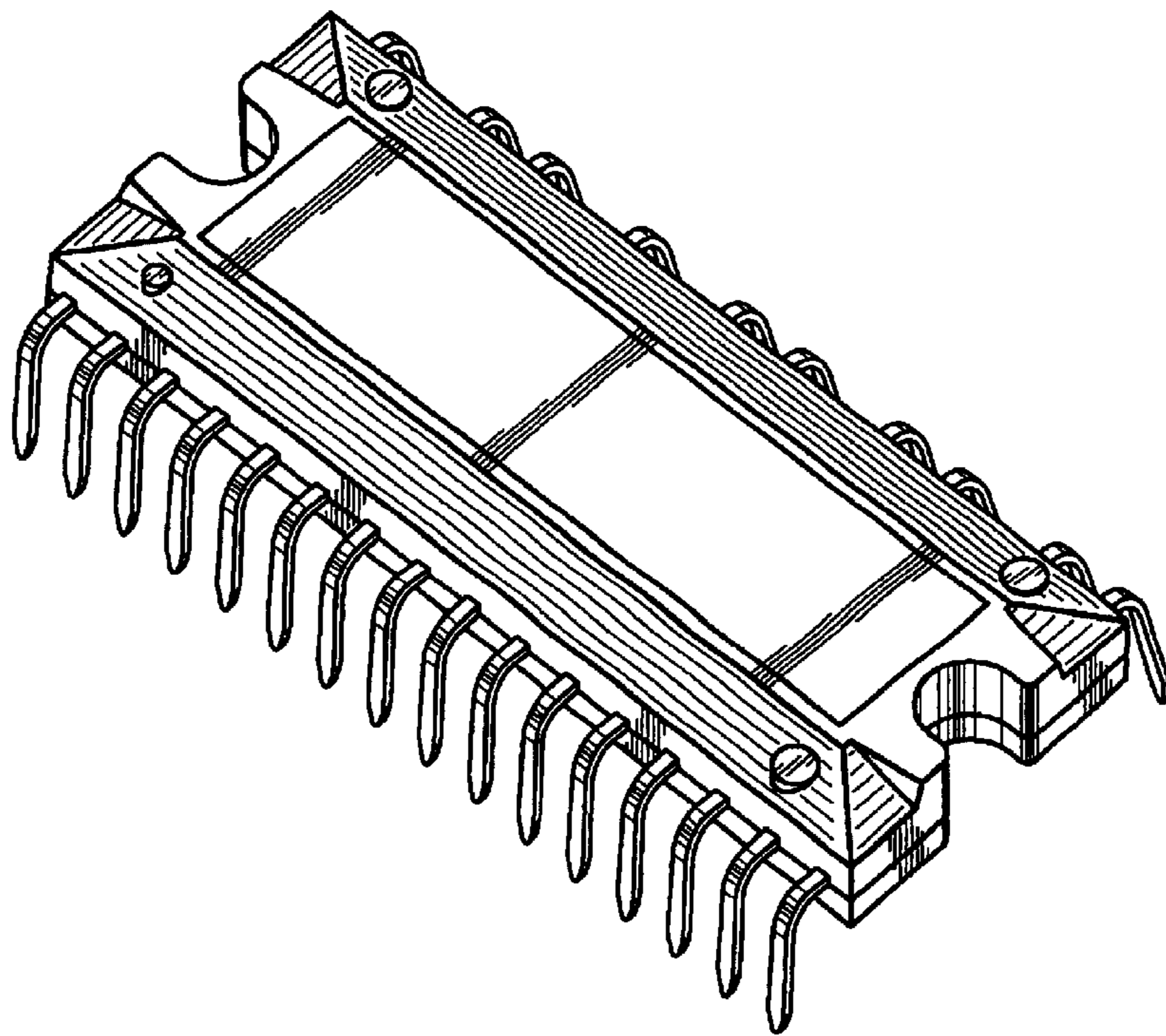


FIG. 2

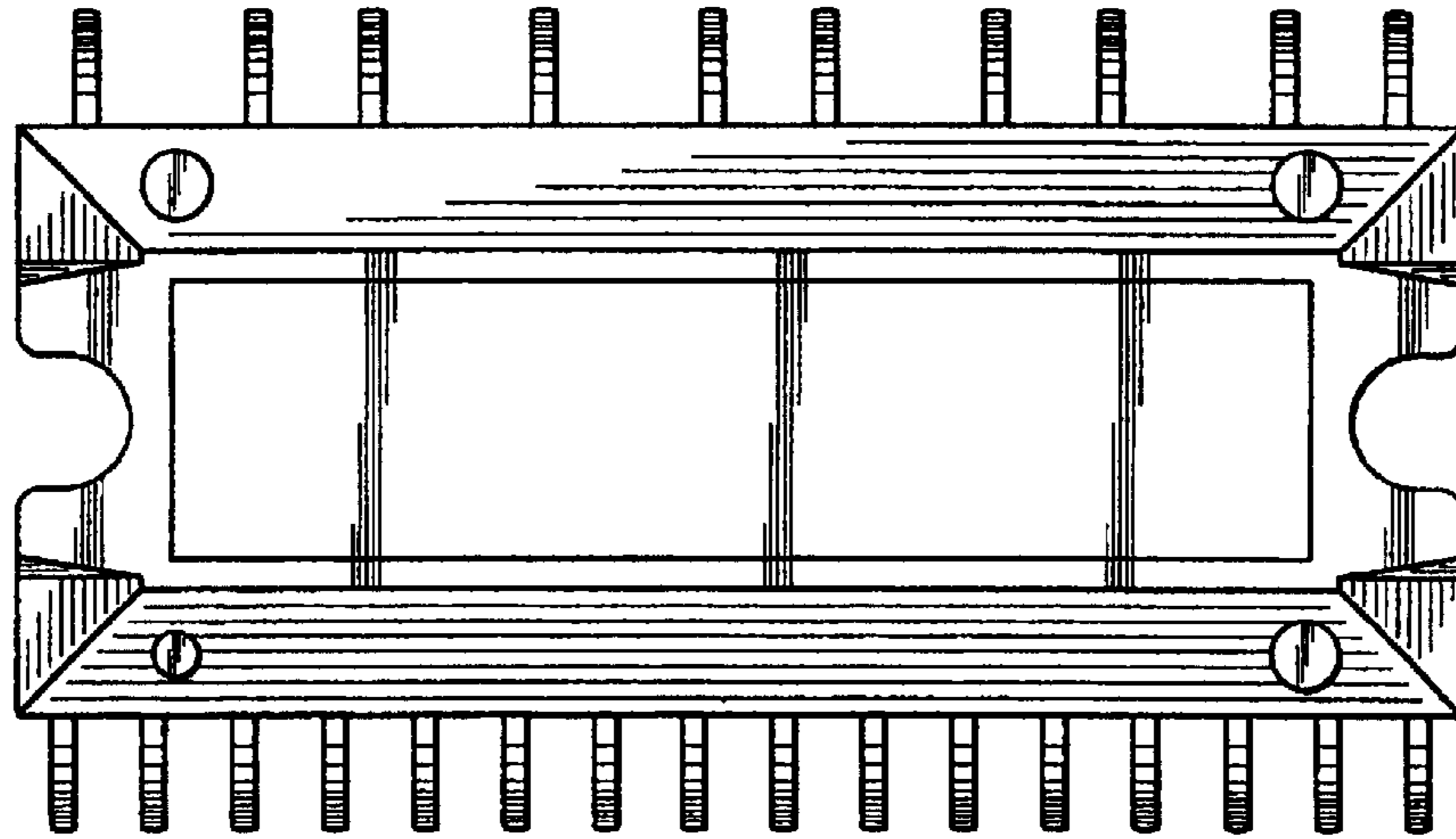


FIG. 3

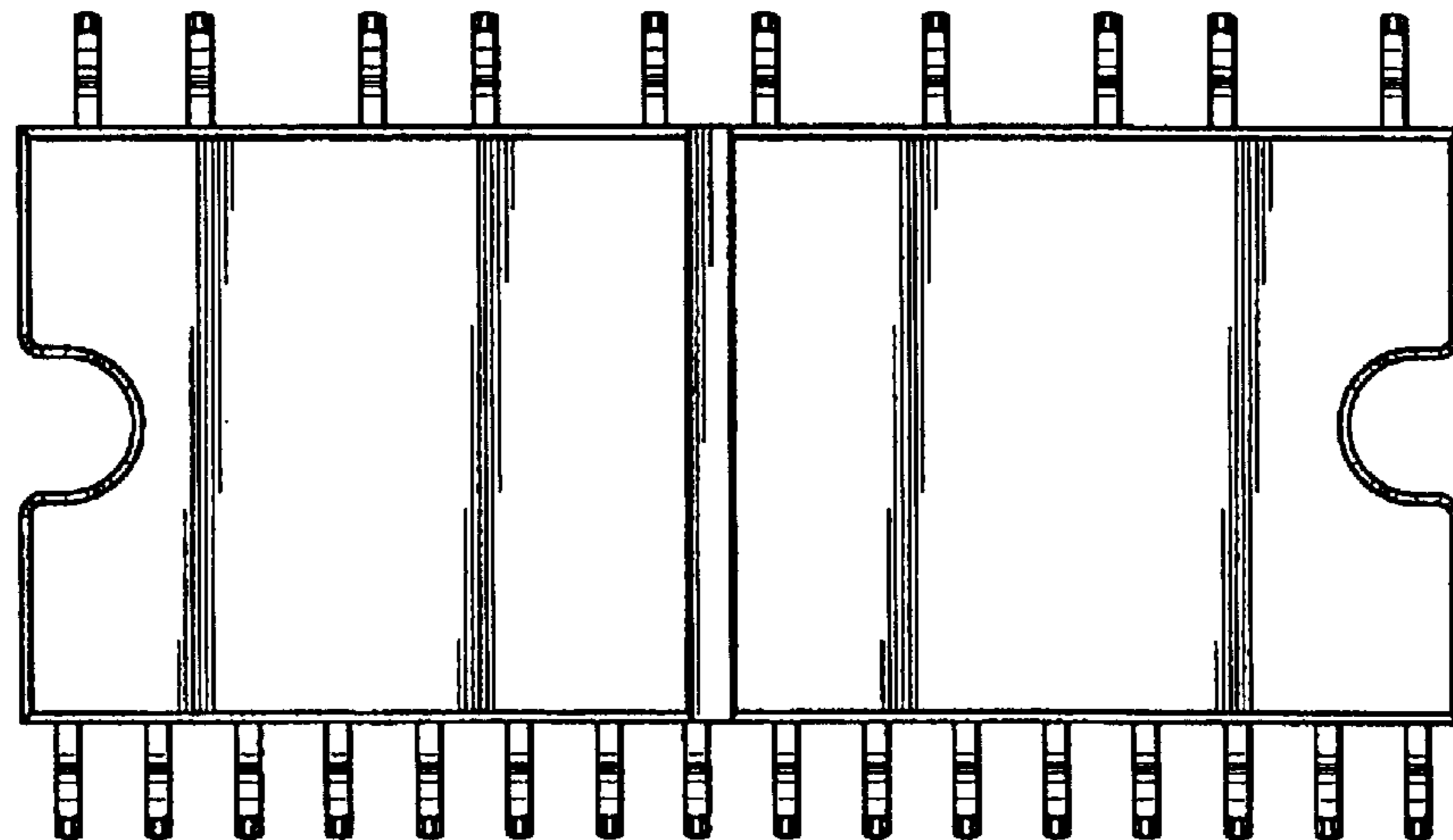


FIG. 4

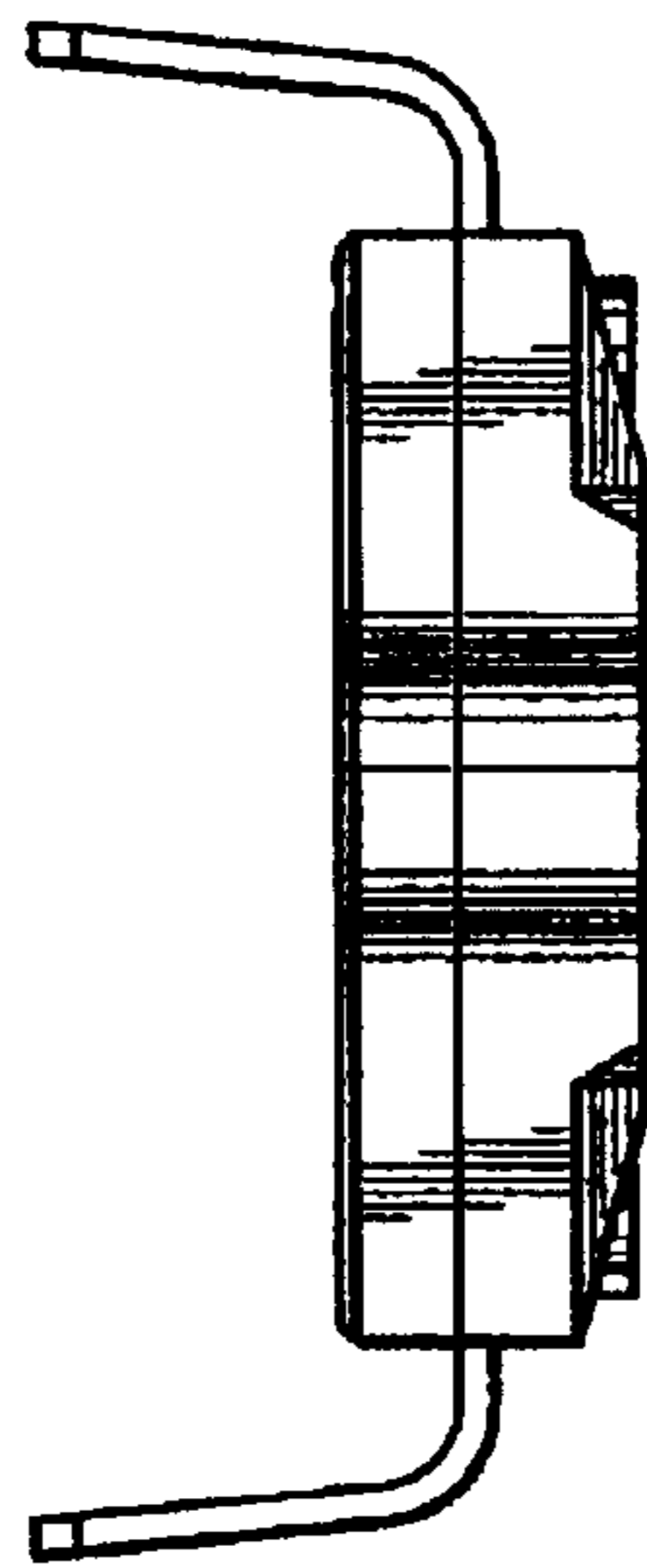


FIG. 5

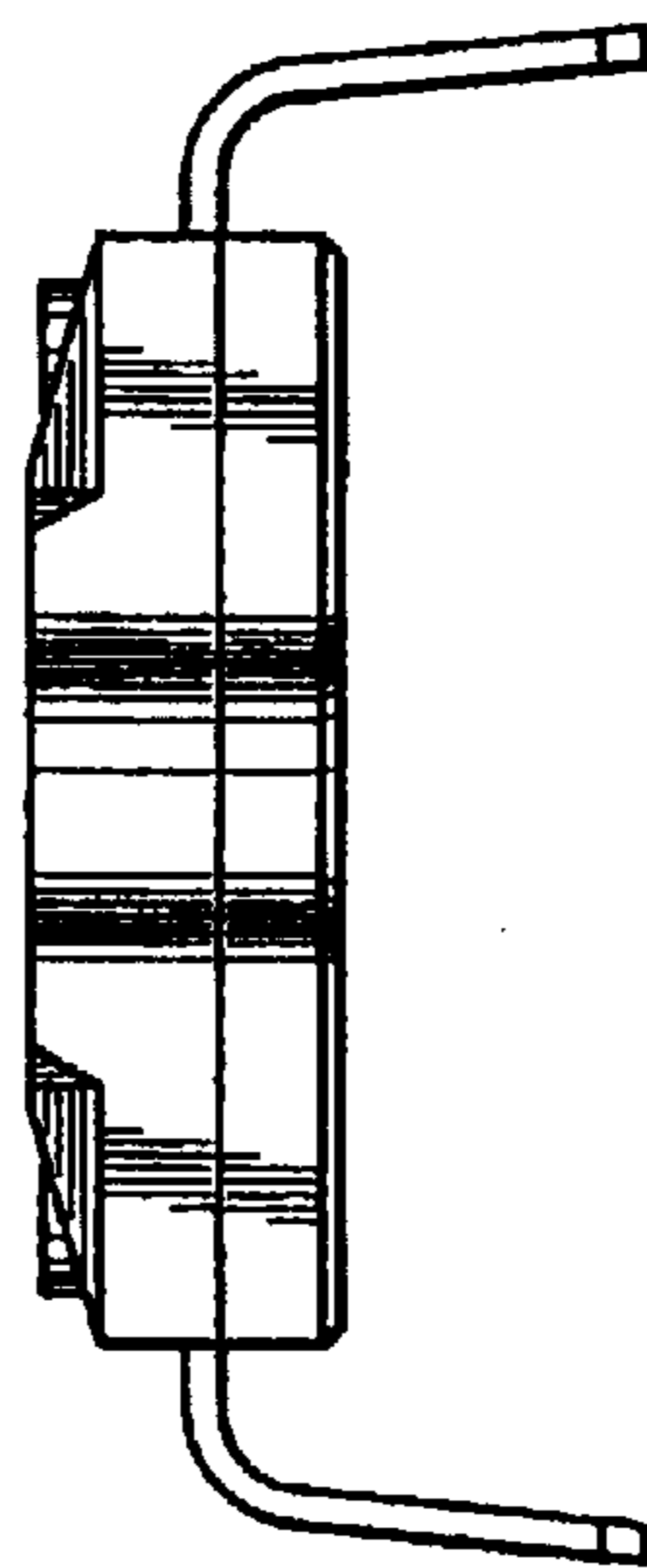


FIG. 6

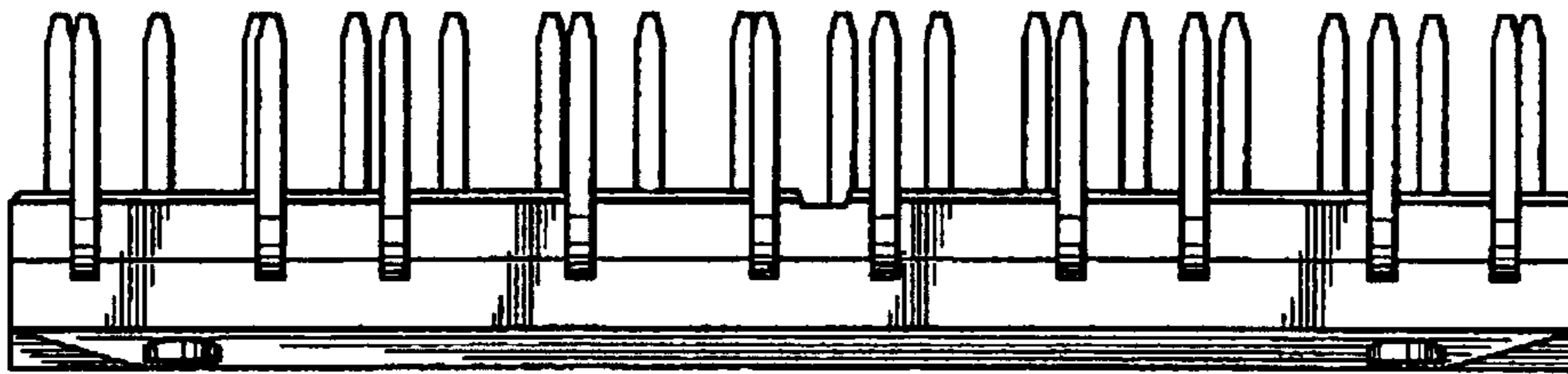


FIG. 7

