



US00D548197S

(12) **United States Design Patent**
Yen et al.

(10) **Patent No.:** **US D548,197 S**

(45) **Date of Patent:** **** Aug. 7, 2007**

(54) **LASER PRESENTER**

(75) Inventors: **Joe Yen**, Sijhih (TW); **Jay Chang**, Sijhih (TW)

(73) Assignee: **Quarton Inc.**, Taipei Hsien (TW)

(**) Term: **14 Years**

(21) Appl. No.: **29/262,939**

(22) Filed: **Jul. 14, 2006**

(30) **Foreign Application Priority Data**

Feb. 24, 2006 (TW) 95300886

(51) **LOC (8) Cl.** **13-03**

(52) **U.S. Cl.** **D13/168**

(58) **Field of Classification Search** D13/168;
D10/104, 106; D14/218, 247; 340/825.22,
340/825.24, 825.25, 825.31, 825.36, 825.69,
340/825.72; 341/20, 23, 34, 176; 345/156,
345/169; 348/734; 455/92, 95, 100, 128,
455/151.1-151.4, 325-355; 463/39, 42;
700/17, 19, 20, 65, 83, 275

See application file for complete search history.

(56) **References Cited**

U.S. PATENT DOCUMENTS

D531,585 S * 11/2006 Weitgasser et al. D13/168
D531,588 S * 11/2006 Peh D13/168

2004/0155791 A1* 8/2004 Nguyen et al. 340/825.69
2005/0024321 A1* 2/2005 Tsai 345/156
2005/0030434 A1* 2/2005 Sata et al. 348/734
2006/0170569 A1* 8/2006 Kubo et al. 341/22
2006/0217150 A1* 9/2006 Chen 455/556.1

* cited by examiner

Primary Examiner—Selina Sikder

(74) *Attorney, Agent, or Firm*—Troxell Law Office, PLLC

(57) **CLAIM**

The ornamental design for laser presenter, as shown and described.

DESCRIPTION

FIG. 1 is a perspective view of laser presenter from right side showing my design;

FIG. 2 is a perspective view thereof, wherein the USB receiver is separated from the main body to show portions of the design not shown in other views;

FIG. 3 is a front side view thereof;

FIG. 4 is a right side view thereof;

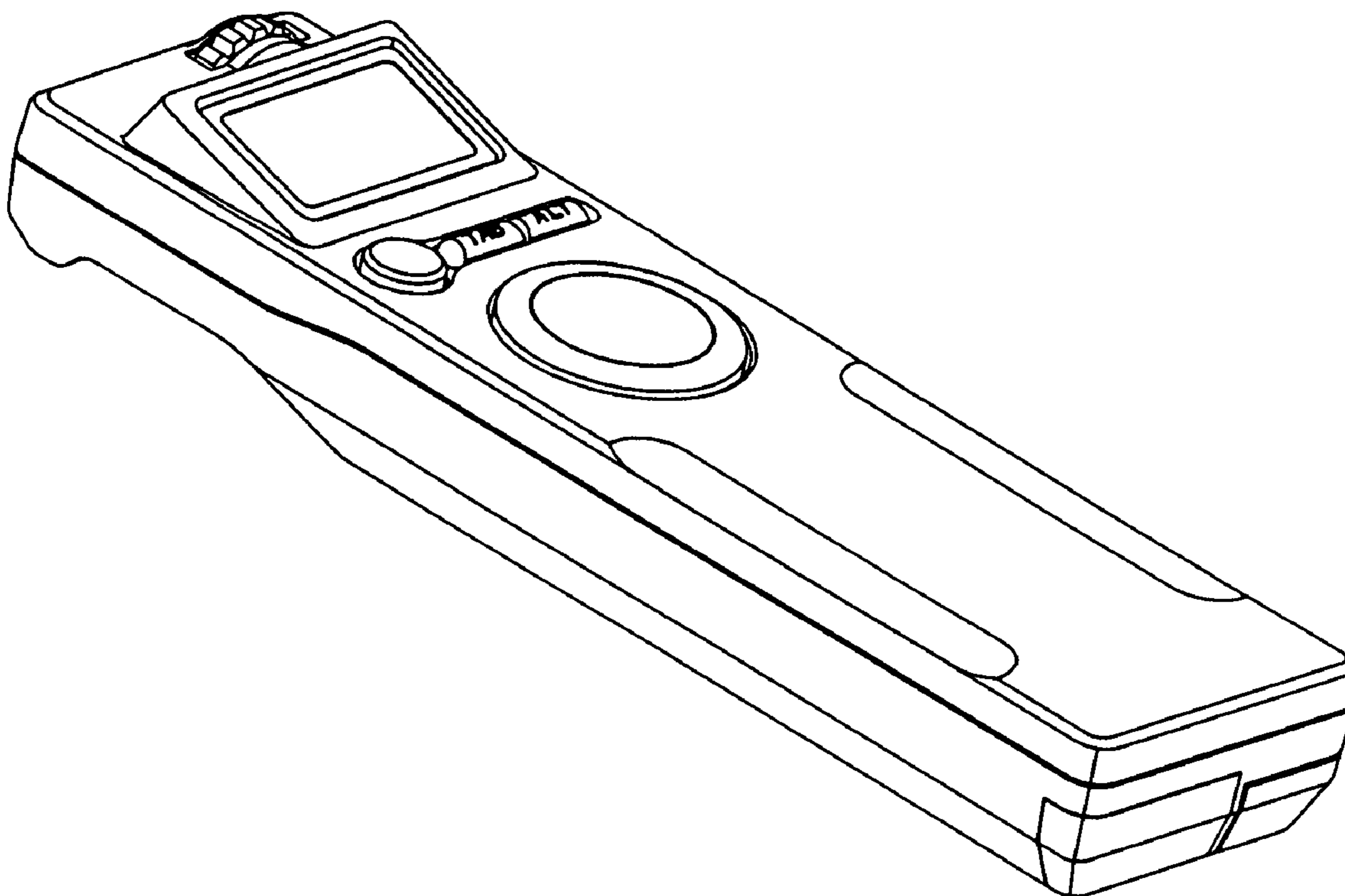
FIG. 5 is a top elevation side view thereof;

FIG. 6 is a bottom side view thereof;

FIG. 7 is a rear side view thereof; and,

FIG. 8 is a left side view thereof.

1 Claim, 5 Drawing Sheets



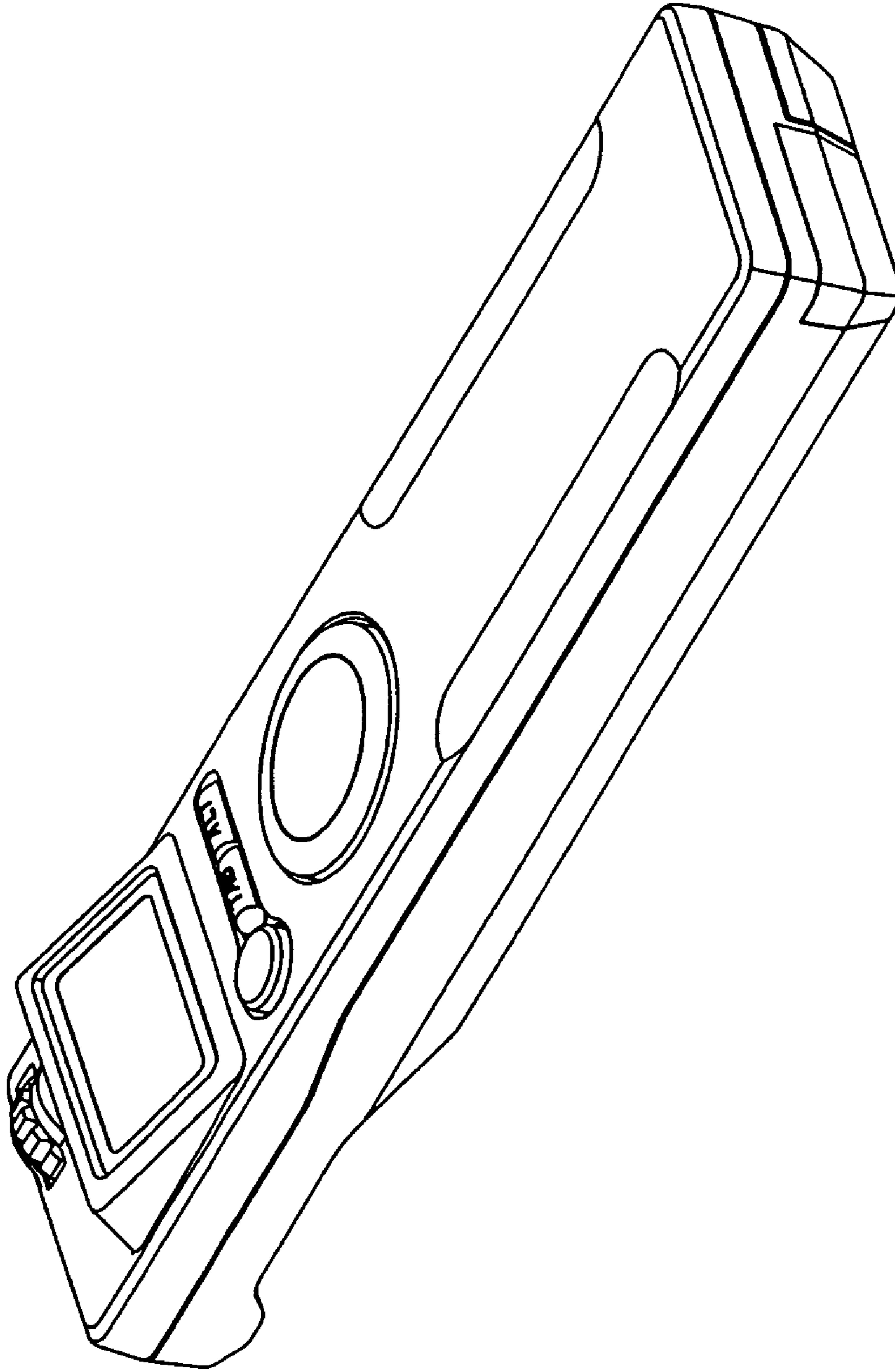


FIG. 1

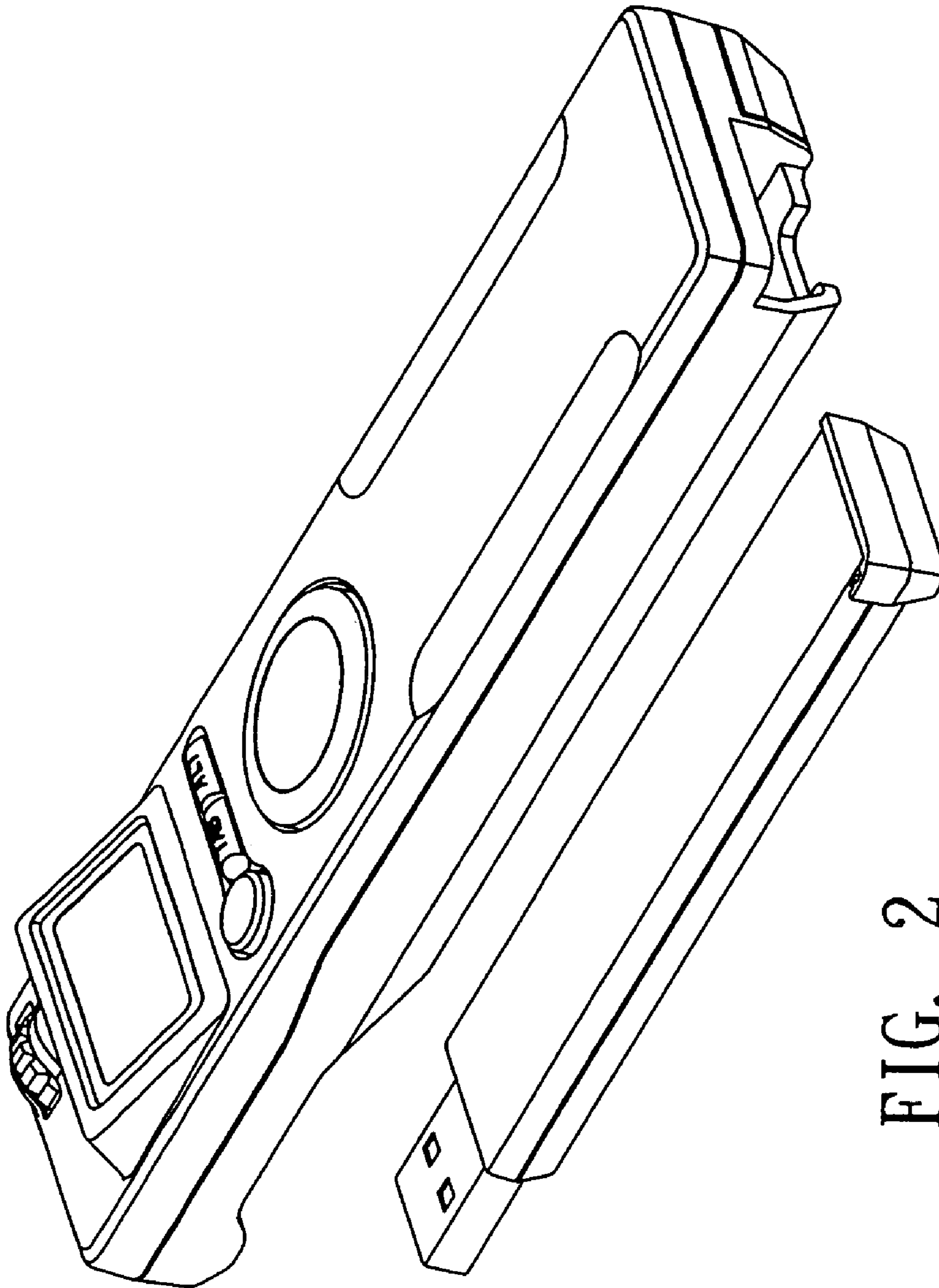


FIG. 2

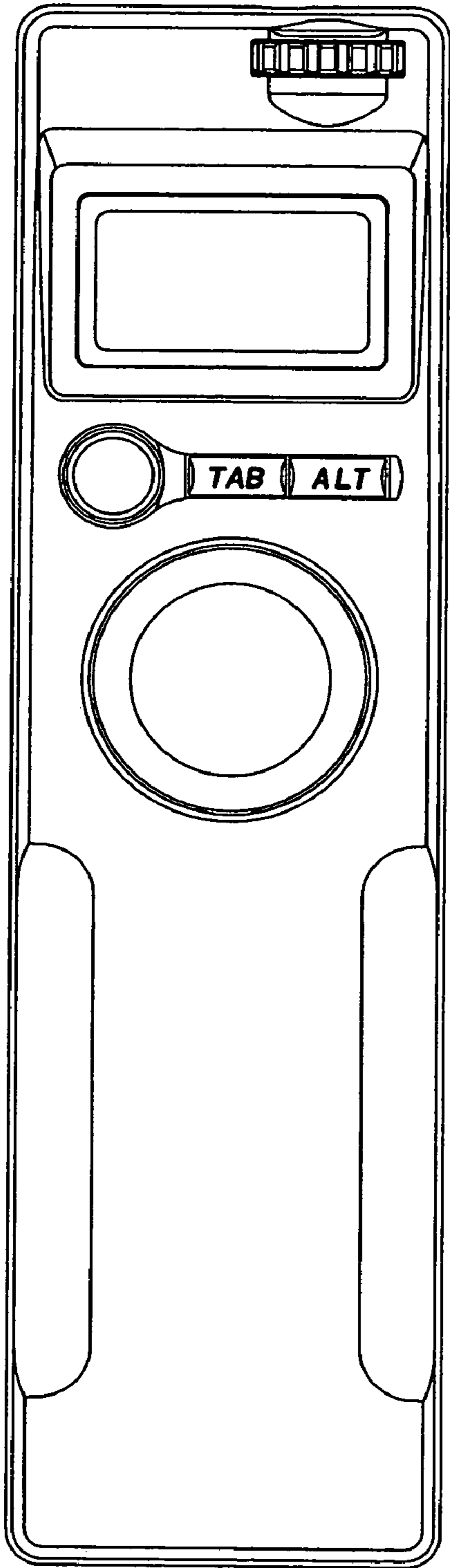


FIG. 3

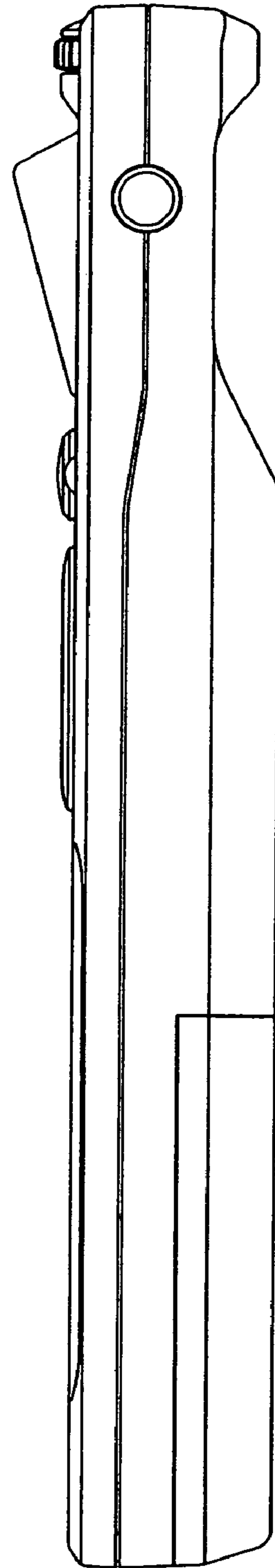


FIG. 4

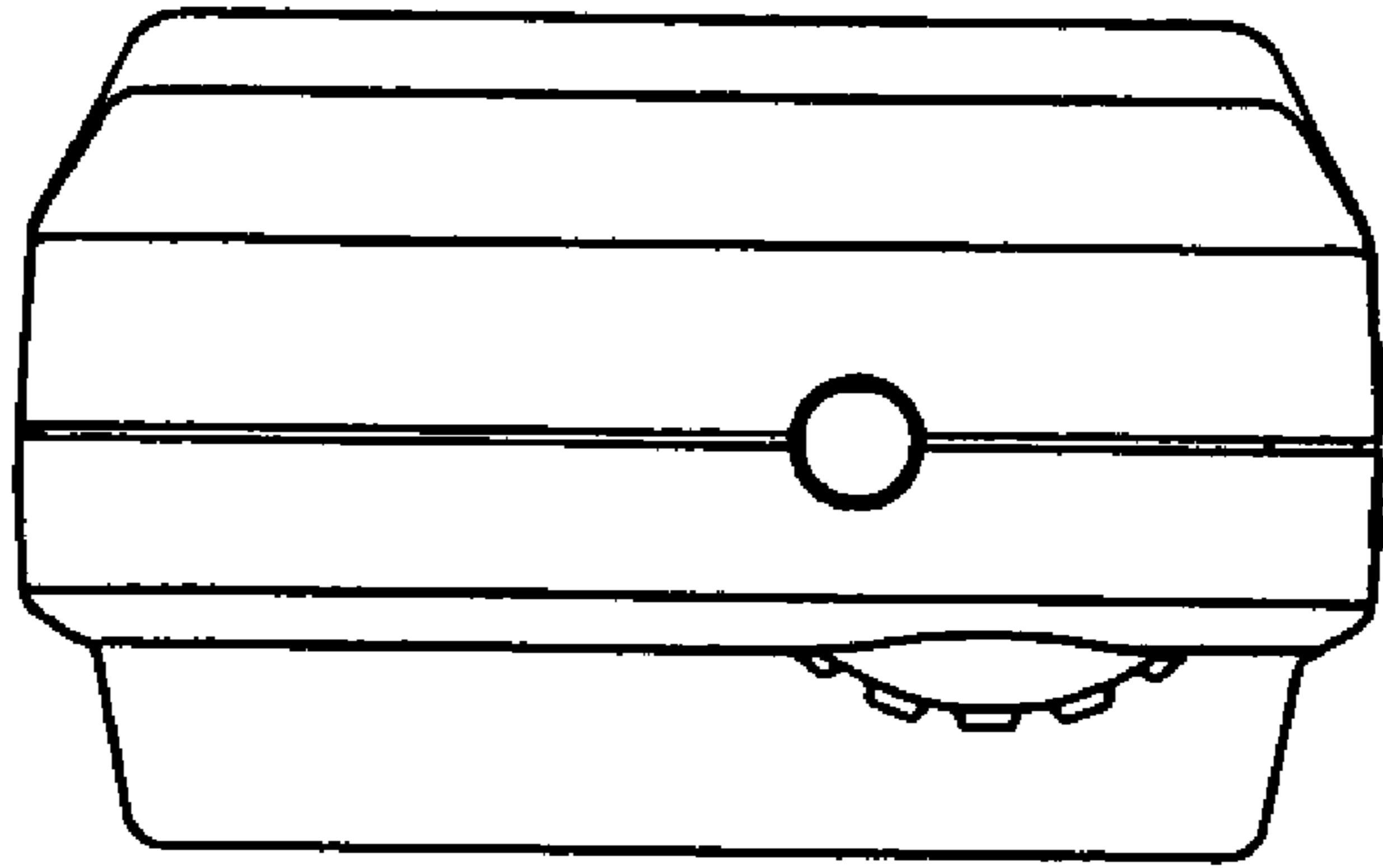


FIG. 5

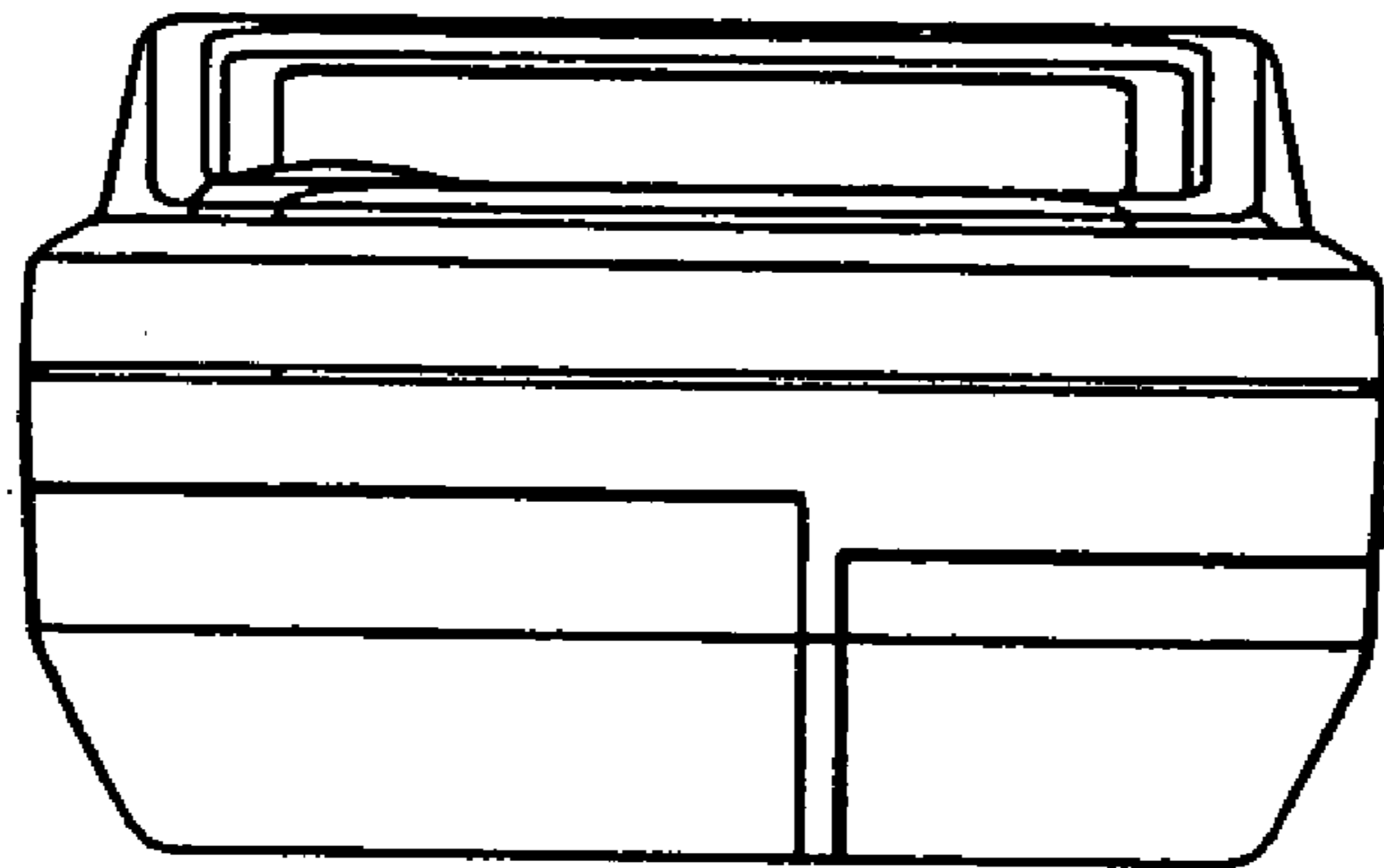


FIG. 6

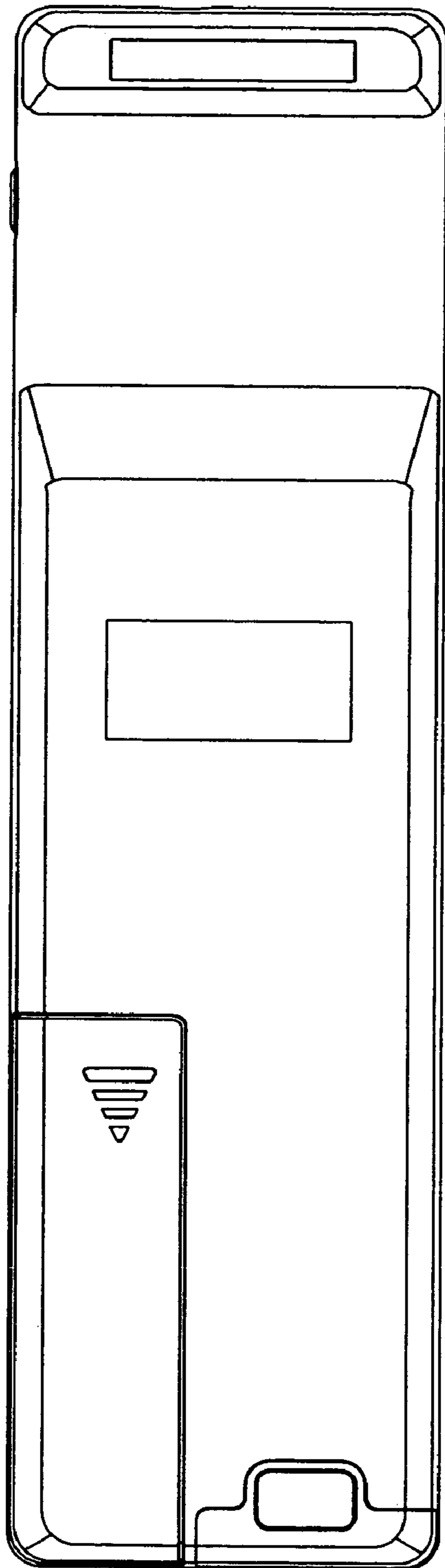


FIG. 7

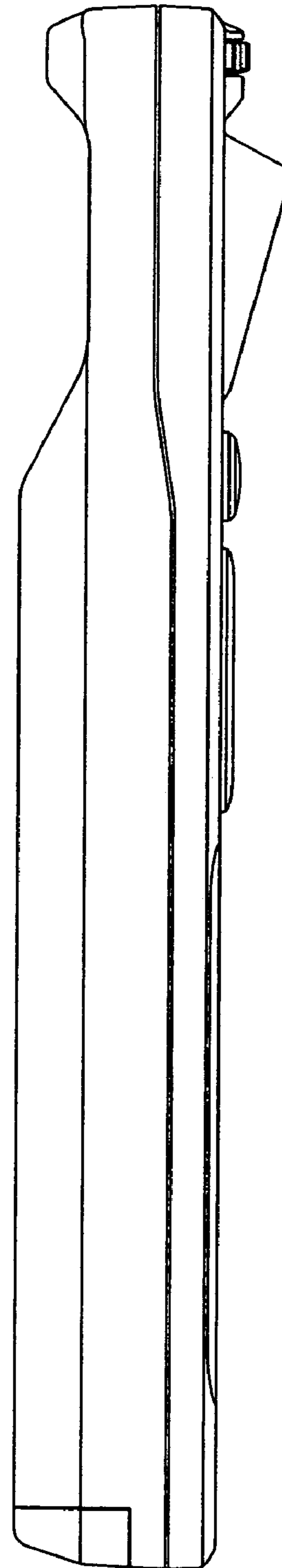


FIG. 8