



US00D548191S

(12) **United States Design Patent** (10) **Patent No.:** **US D548,191 S**
Arai et al. (45) **Date of Patent:** **** Aug. 7, 2007**

(54) **ELECTRICAL CONNECTOR**

(75) Inventors: **Junichi Arai**, Isesaki (JP); **Takashi Shimizu**, Isesaki (JP)

(73) Assignee: **Hosiden Corporation**, Osaka (JP)

(**) Term: **14 Years**

(21) Appl. No.: **29/259,890**

(22) Filed: **May 17, 2006**

(30) **Foreign Application Priority Data**

Nov. 25, 2005	(JP)	2005-034699
Dec. 7, 2005	(JP)	2005-036070
Dec. 7, 2005	(JP)	2005-036072
Dec. 7, 2005	(JP)	2005-036073

(51) **LOC (8) Cl.** **13-03**

(52) **U.S. Cl.** **D13/147**

(58) **Field of Classification Search** D13/133,
D13/146-148, 154, 184, 199; 439/527, 533,
439/476.1, 483, 607-610, 892, 894
See application file for complete search history.

(56) **References Cited**

U.S. PATENT DOCUMENTS

D409,575	S *	5/1999	Okamoto	D13/147
D451,477	S *	12/2001	Shimojyo	D13/147
D452,847	S *	1/2002	Shimojyo	D13/147
D509,475	S *	9/2005	Tsai	D13/147
D510,069	S *	9/2005	Tsai	D13/147
6,986,681	B2 *	1/2006	Tsai	439/607

7,077,668	B2 *	7/2006	Lapidot et al.	439/108
D526,619	S *	8/2006	Tsai	D13/147
2005/0227543	A1 *	10/2005	Masumoto et al.	439/660
2005/0272286	A1 *	12/2005	Lapidot et al.	439/108

* cited by examiner

Primary Examiner—Daniel Bui
(74) *Attorney, Agent, or Firm*—Koda & Androlia

(57) **CLAIM**

The ornamental design for an electrical connector, as shown and described.

DESCRIPTION

FIG. 1 is a top, front and right side perspective view of an electrical connector, showing our new design;

FIG. 2 is a bottom, rear and left side perspective view thereof;

FIG. 3 is a front elevation view thereof;

FIG. 4 is a rear elevation view thereof;

FIG. 5 is a left side elevation view thereof, the right side elevation view is a mirror image thereto;

FIG. 6 is a top plan view thereof;

FIG. 7 is a bottom plan view thereof; and,

FIG. 8 is a cross sectional view thereof, taken along line 8-8 in FIG. 3.

In every embodiment, a right side view is a mirror image of the left side view and therefore is omitted.

1 Claim, 4 Drawing Sheets

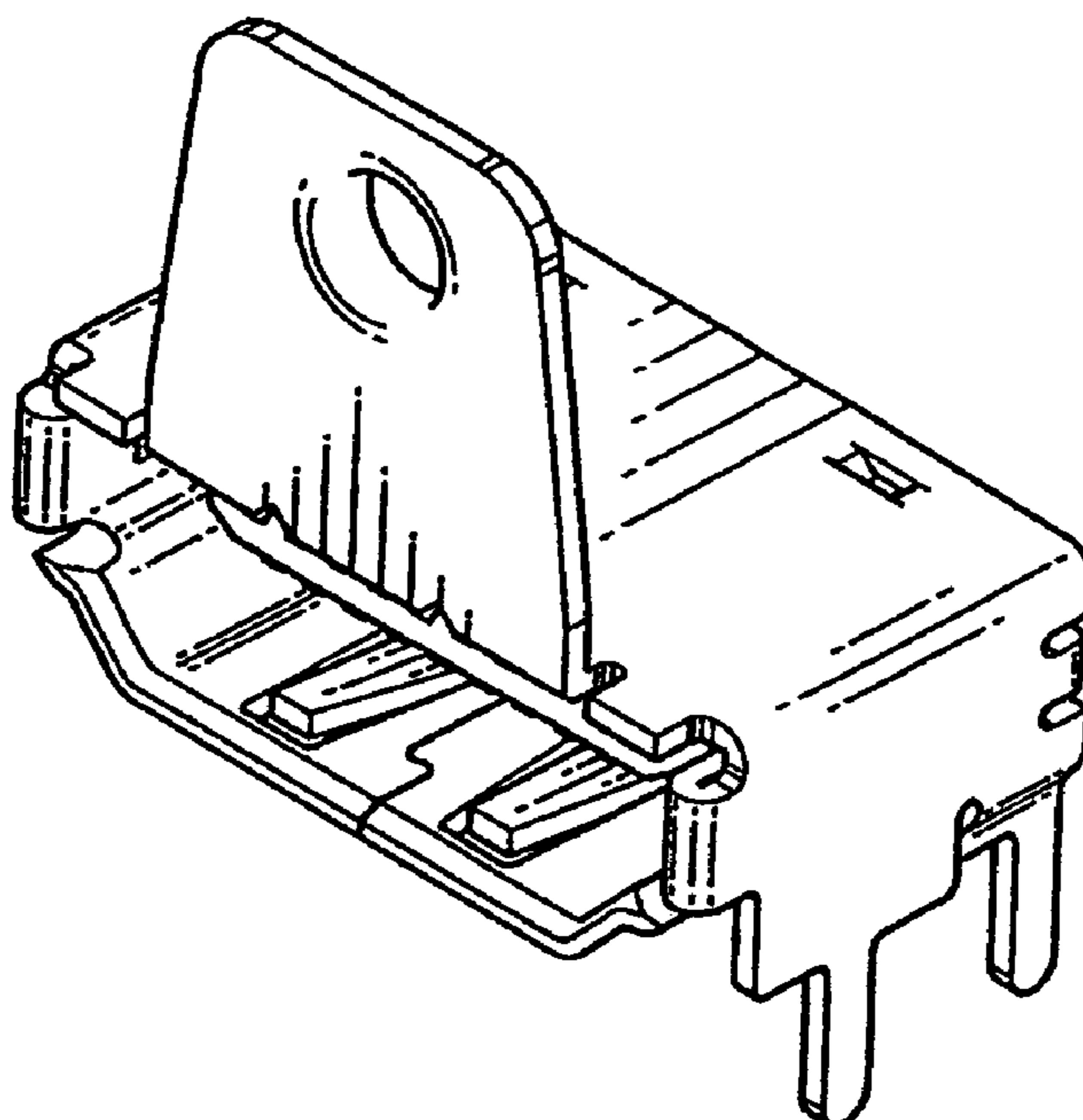


Fig. 1

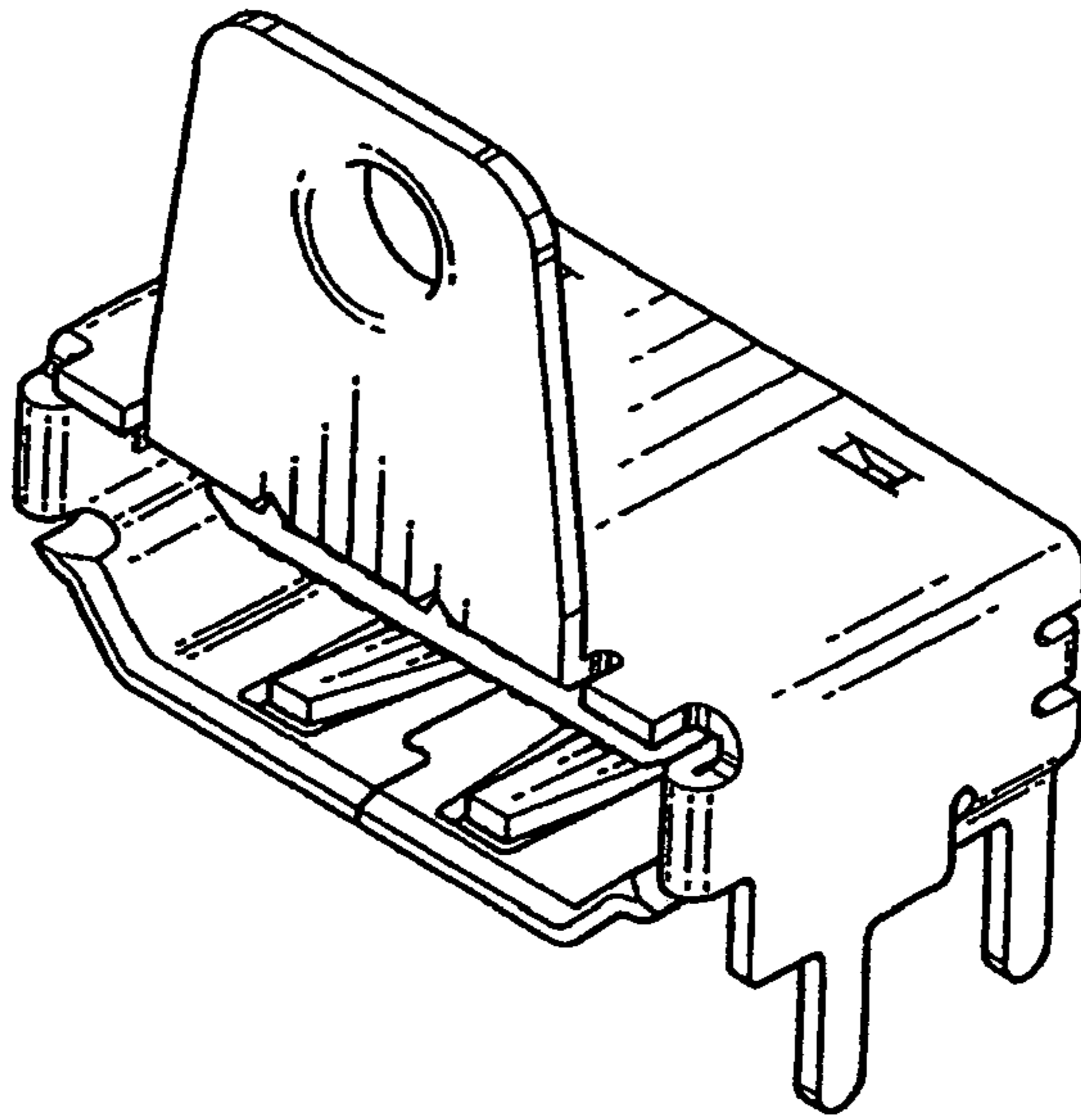


Fig. 2

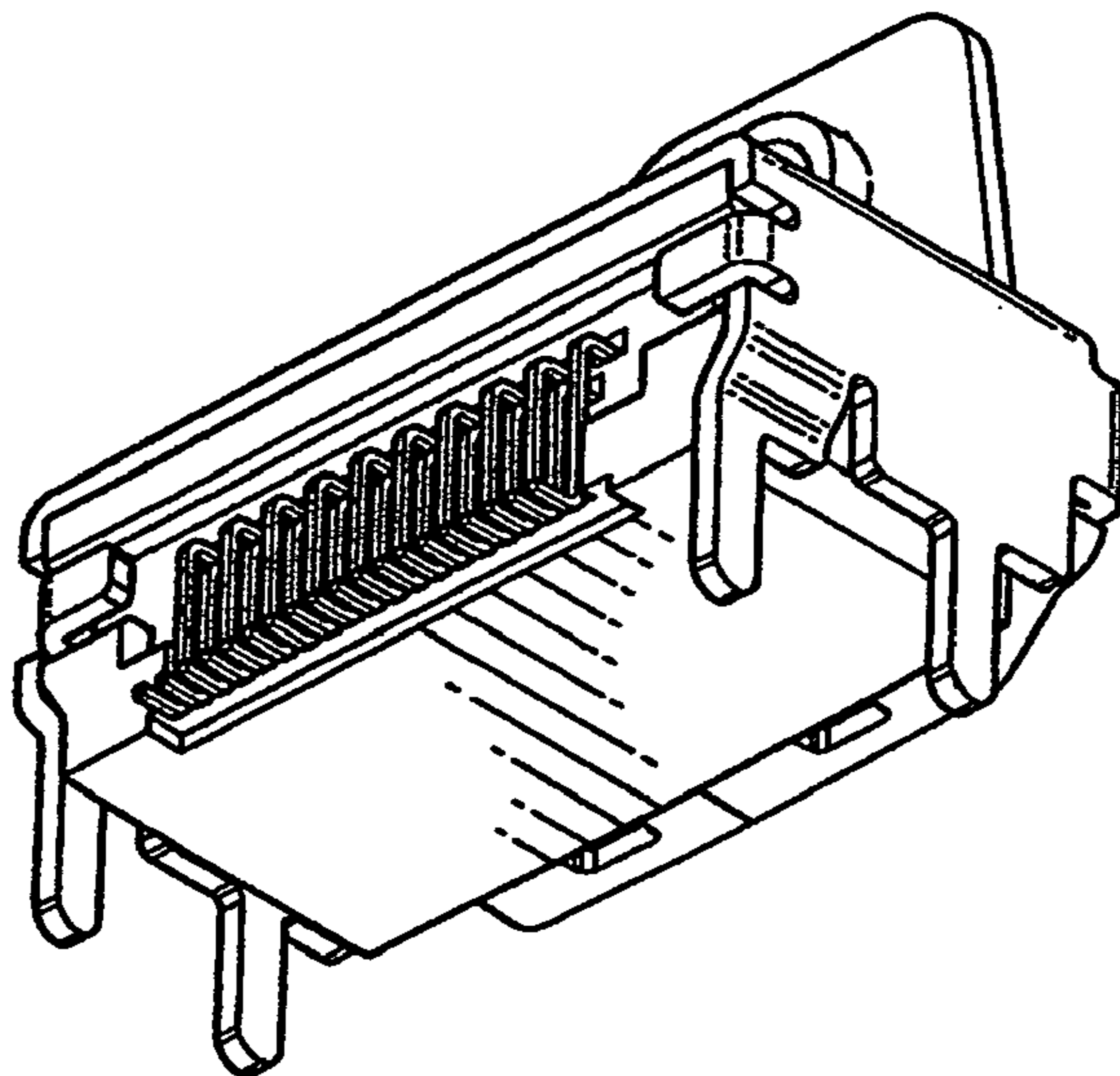


Fig. 3

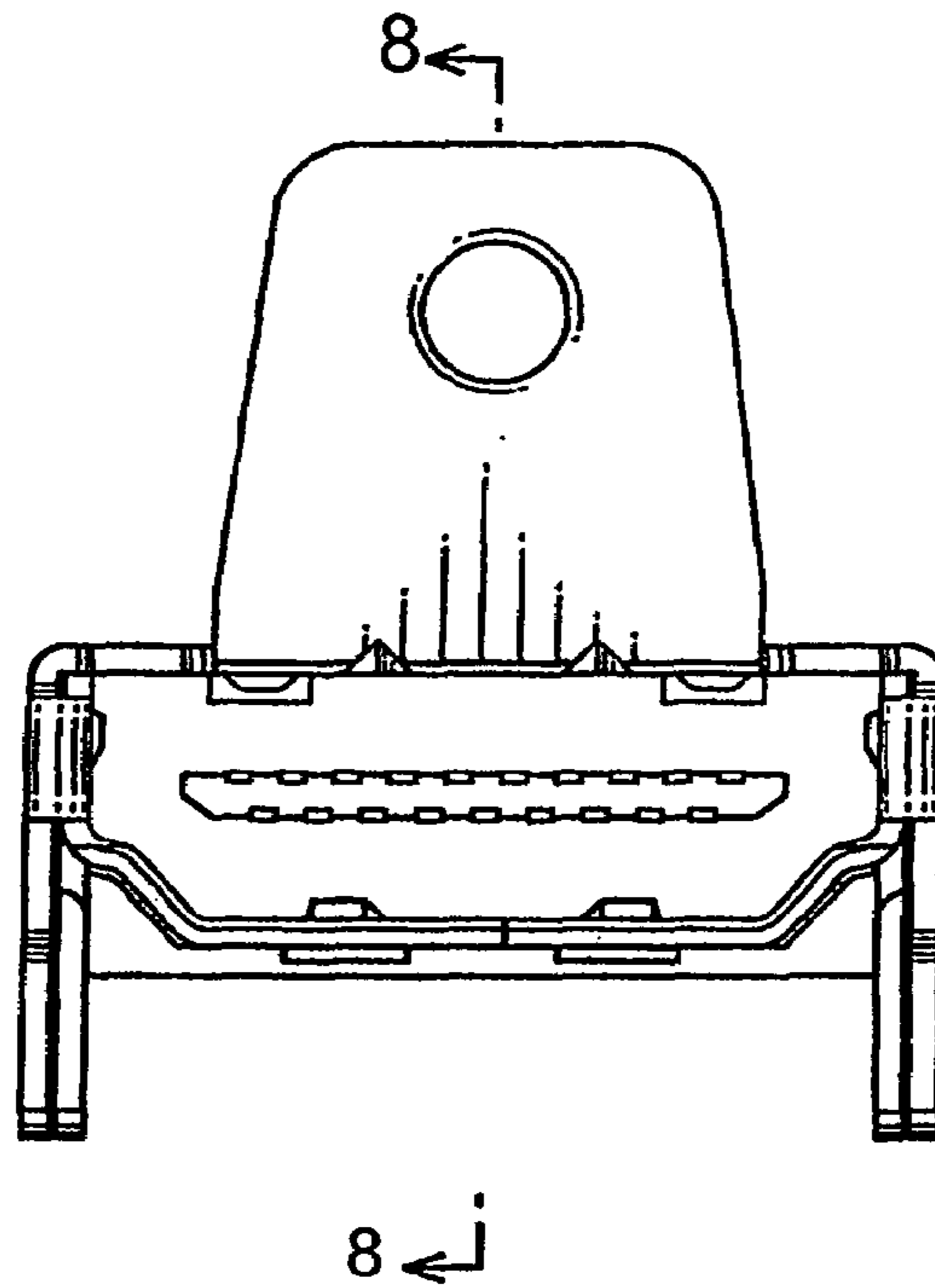


Fig. 4

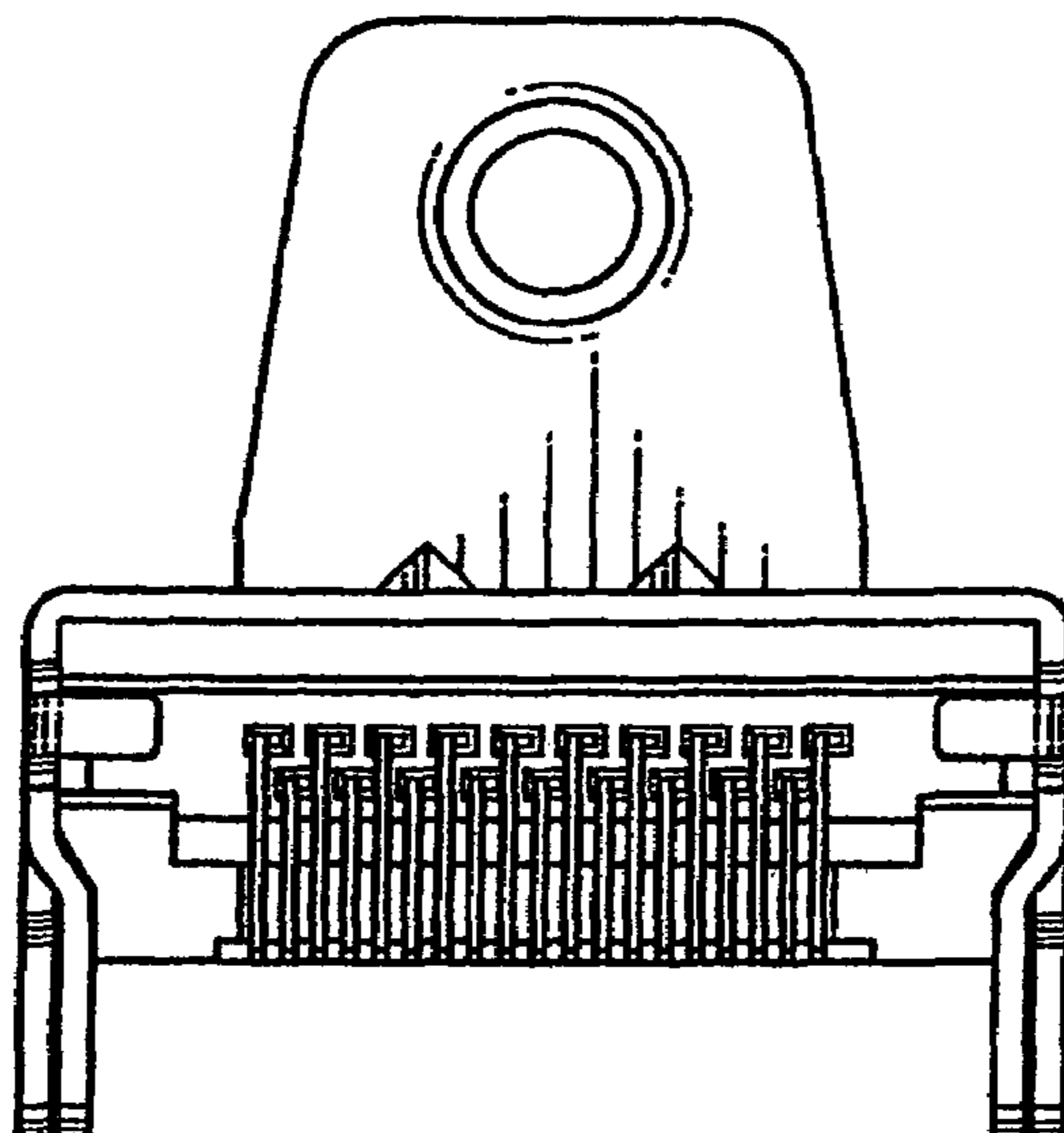


Fig. 5

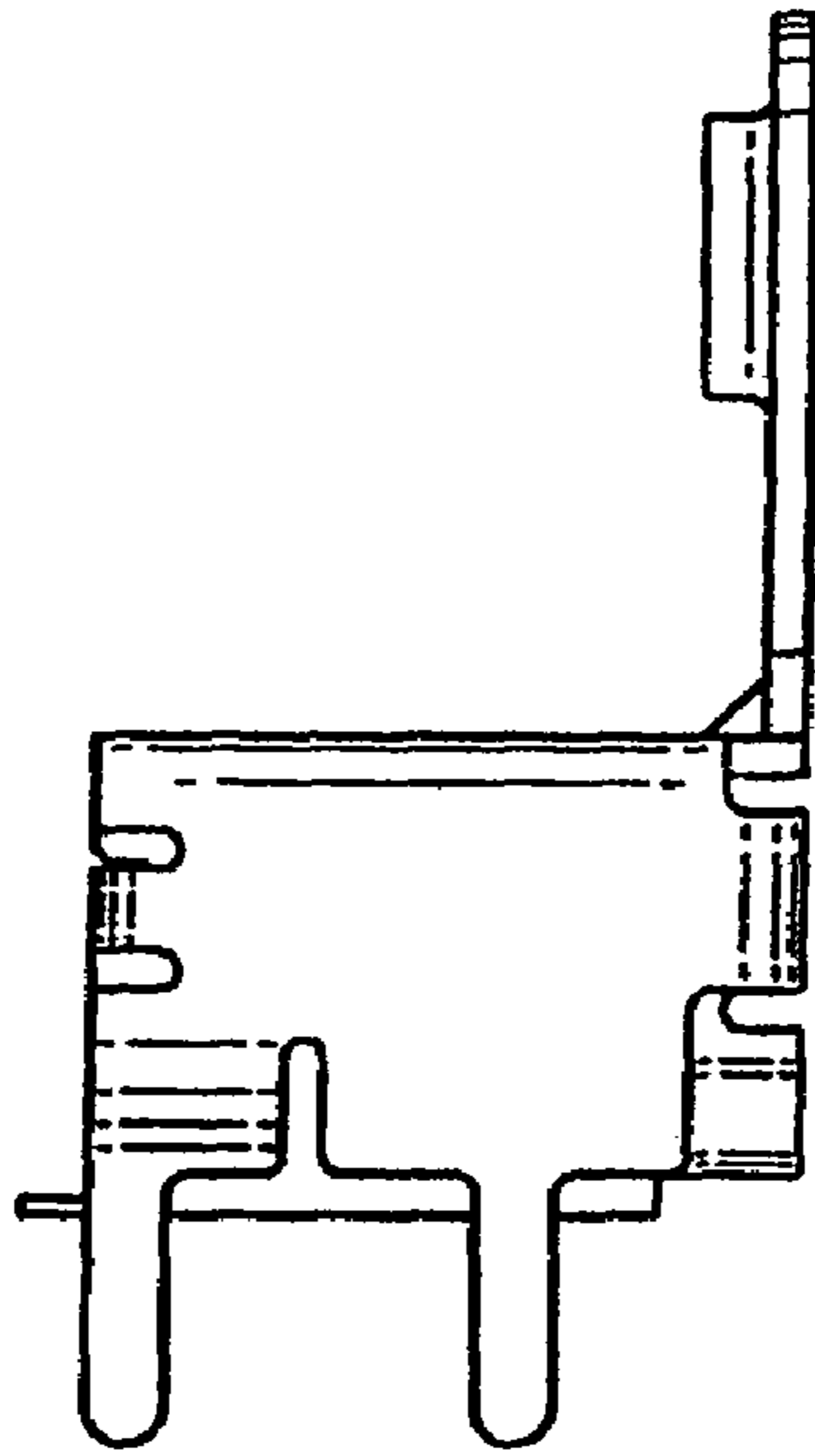


Fig. 6

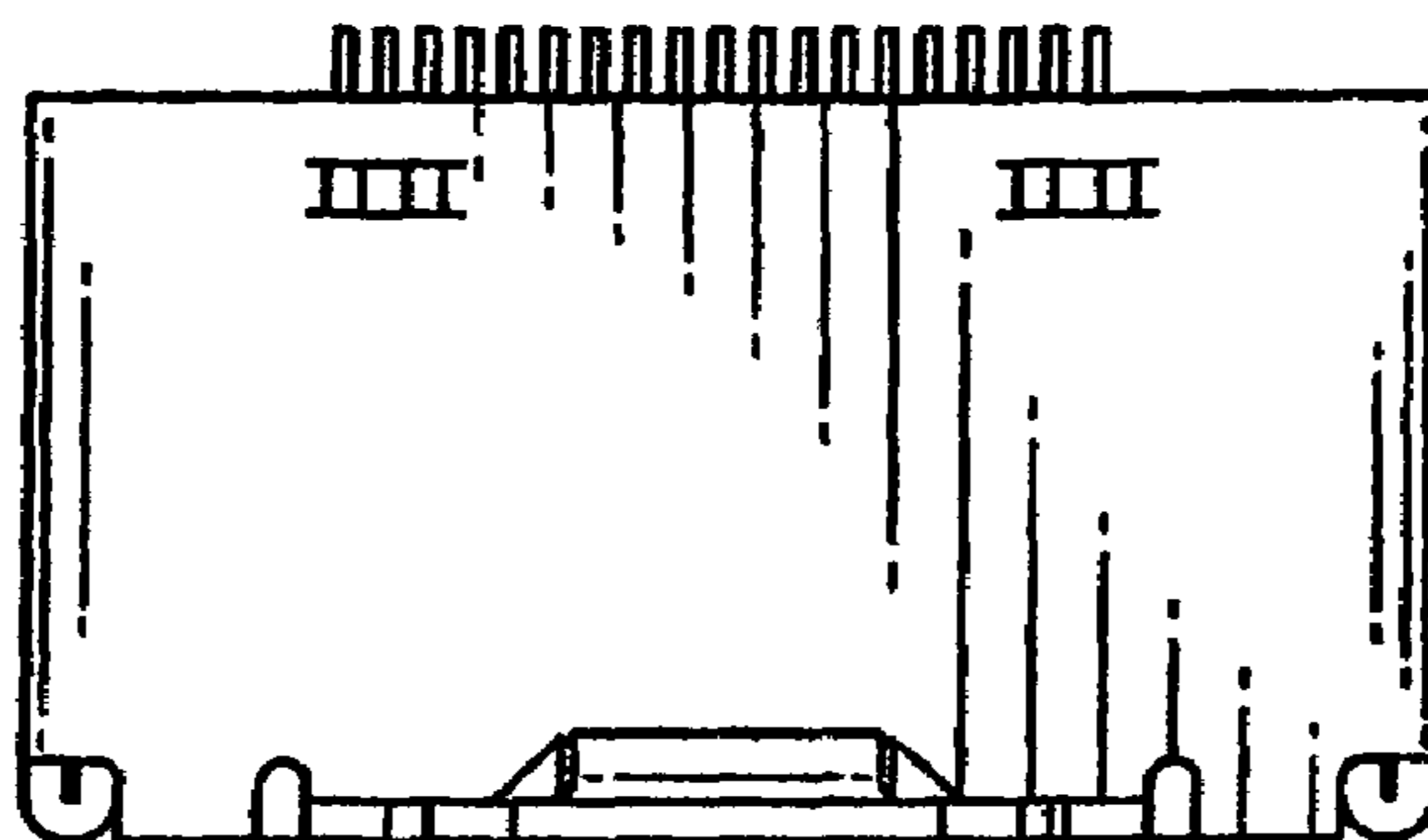


Fig. 7

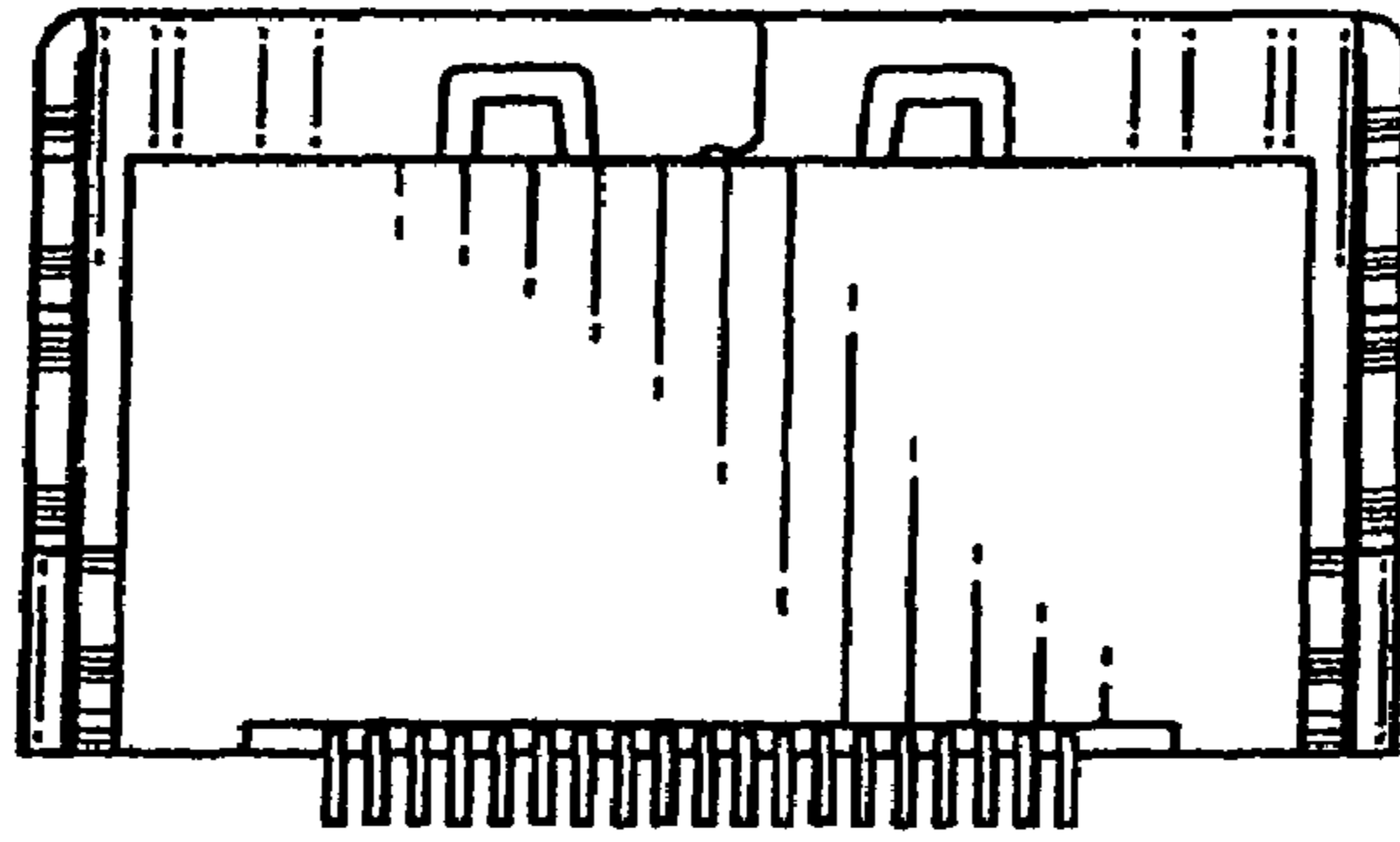
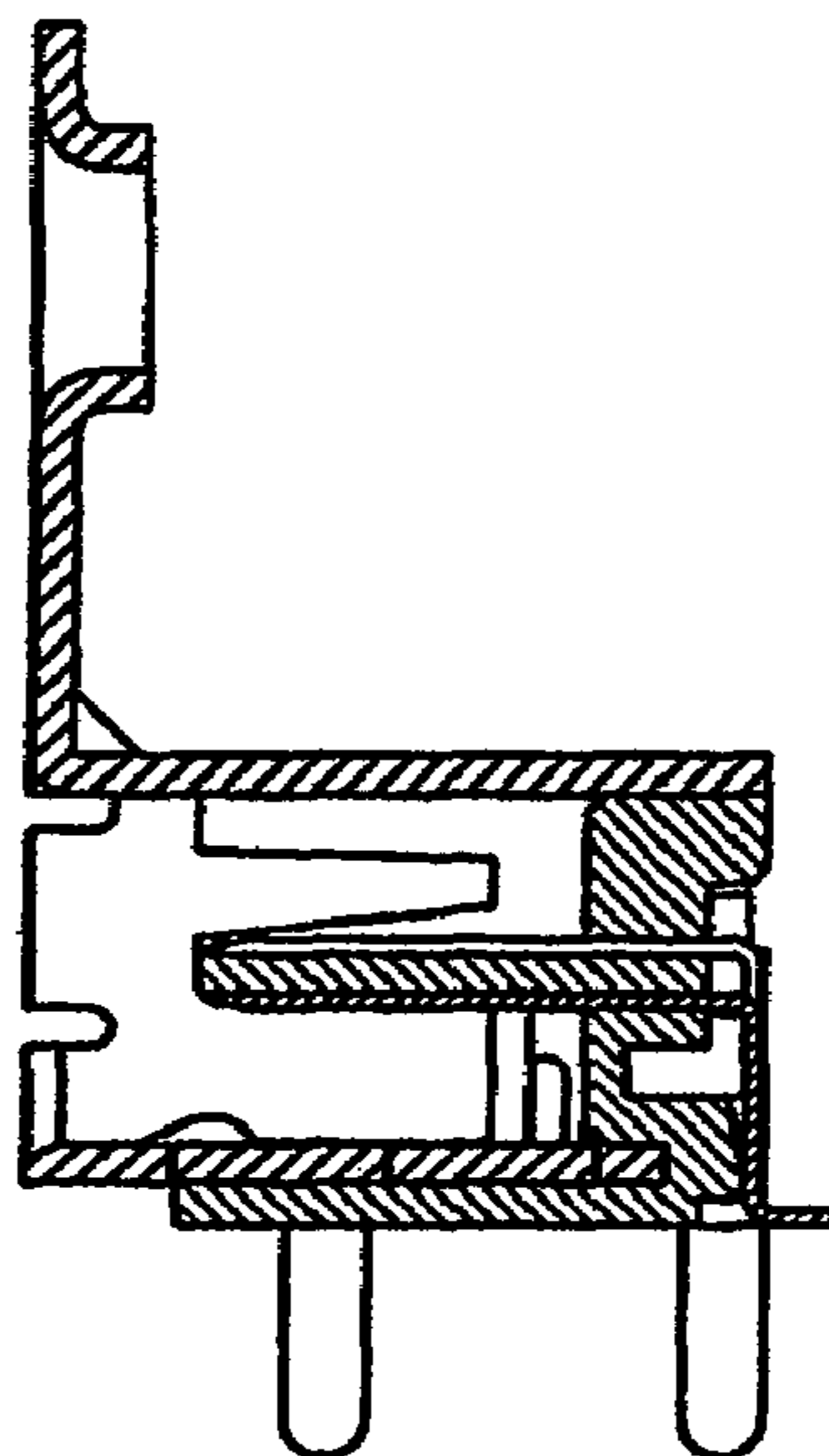


Fig. 8



UNITED STATES PATENT AND TRADEMARK OFFICE
CERTIFICATE OF CORRECTION

PATENT NO. : Des. 548,191 S
APPLICATION NO. : 29/259890
DATED : August 7, 2007
INVENTOR(S) : Junichi Arai et al.

Page 1 of 1

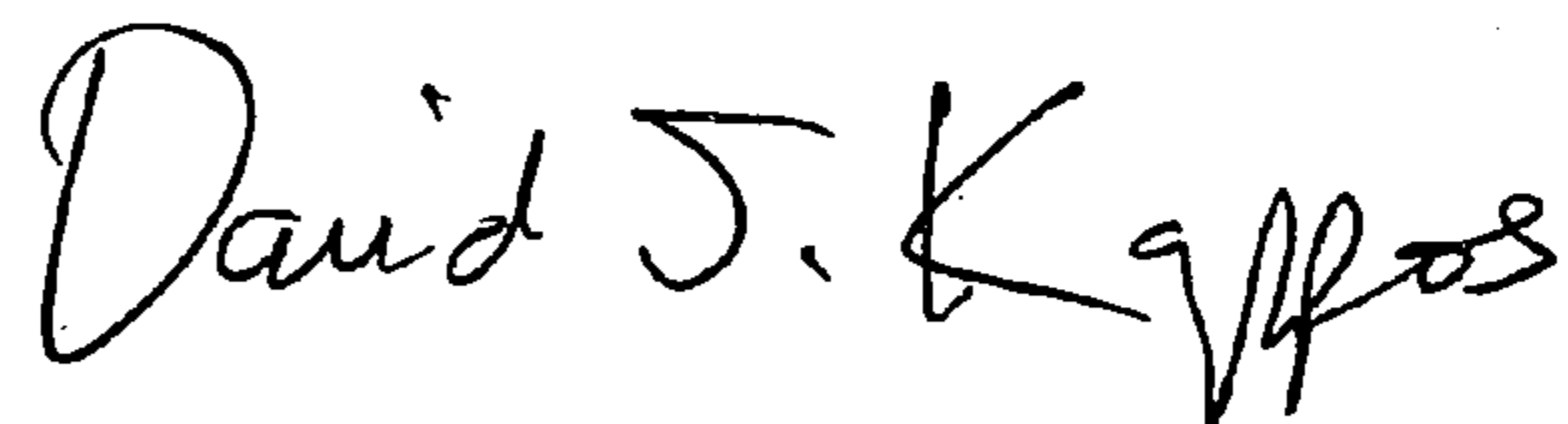
It is certified that error appears in the above-identified patent and that said Letters Patent is hereby corrected as shown below:

Title Page; Item (30) Foreign Application Priority Data:

Change "Nov. 25, 2005 (JP) 2005-034699
Dec. 7, 2005 (JP) 2005-036070
Dec. 7, 2005 (JP) 2005-036072
Dec. 7, 2005 (JP) 2005-036073"
to --Nov. 25, 2005 (JP) 2005-034699
Nov. 25, 2005 (JP) 2005-034700
Dec. 7, 2005 (JP) 2005-036070
Dec. 7, 2005 (JP) 2005-036072
Dec. 7, 2005 (JP) 2005-036073--

Signed and Sealed this

Fourteenth Day of December, 2010



David J. Kappos
Director of the United States Patent and Trademark Office