

US00D548189S

(12) **United States Design Patent**  
**Hetzer et al.**

(10) **Patent No.:** **US D548,189 S**

(45) **Date of Patent:** **\*\* Aug. 7, 2007**

(54) **CONNECTING SOCKET**

(75) Inventors: **Ulrich Hetzer**, Berlin (DE); **Frank Mössner**, Berlin (DE); **Ferenc Nad**, Berlin (DE); **Sabine Zimmer**, Berlin (DE)

(73) Assignee: **ADC GmbH**, Berlin (DE)

(\*\*) Term: **14 Years**

(21) Appl. No.: **29/237,454**

(22) Filed: **Aug. 31, 2005**

(30) **Foreign Application Priority Data**

Mar. 9, 2005 (DE) ..... 4 05 01 417

(51) **LOC (8) Cl.** ..... **13-03**

(52) **U.S. Cl.** ..... **D13/147**

(58) **Field of Classification Search** ..... D13/147,  
D13/117, 133, 199; 439/607, 608, 609, 610,  
439/748

See application file for complete search history.

(56) **References Cited**

**U.S. PATENT DOCUMENTS**

4,885,438 A \* 12/1989 Tajima ..... 200/51.09  
D329,041 S \* 9/1992 Masuda et al. .... D13/117  
6,000,968 A \* 12/1999 Hagiwara ..... 439/607  
6,042,425 A \* 3/2000 Moller et al. .... 439/638

D425,027 S \* 5/2000 Nishio et al. .... D13/147  
D437,829 S \* 2/2001 Sato et al. .... D13/147  
D441,344 S \* 5/2001 Arai ..... D13/147  
D449,273 S \* 10/2001 Lin ..... D13/133  
D475,015 S \* 5/2003 Shimojo ..... D13/137.1

**FOREIGN PATENT DOCUMENTS**

DE 196 04 564 3/1997  
WO 02/15339 2/2002

\* cited by examiner

*Primary Examiner*—Stella Reid

*Assistant Examiner*—Derrick Holland

(74) *Attorney, Agent, or Firm*—Merchant & Gould P.C.

(57) **CLAIM**

The ornamental design for connecting socket, as shown and described.

**DESCRIPTION**

FIG. 1 is a bottom plan view of a connecting socket in accordance with my invention thereof;

FIG. 2 is a right side view thereof;

FIG. 3 is a front view thereof;

FIG. 4 is a left side view thereof;

FIG. 5 is a top plan view thereof; and,

FIG. 6 is a perspective view thereof.

**1 Claim, 2 Drawing Sheets**

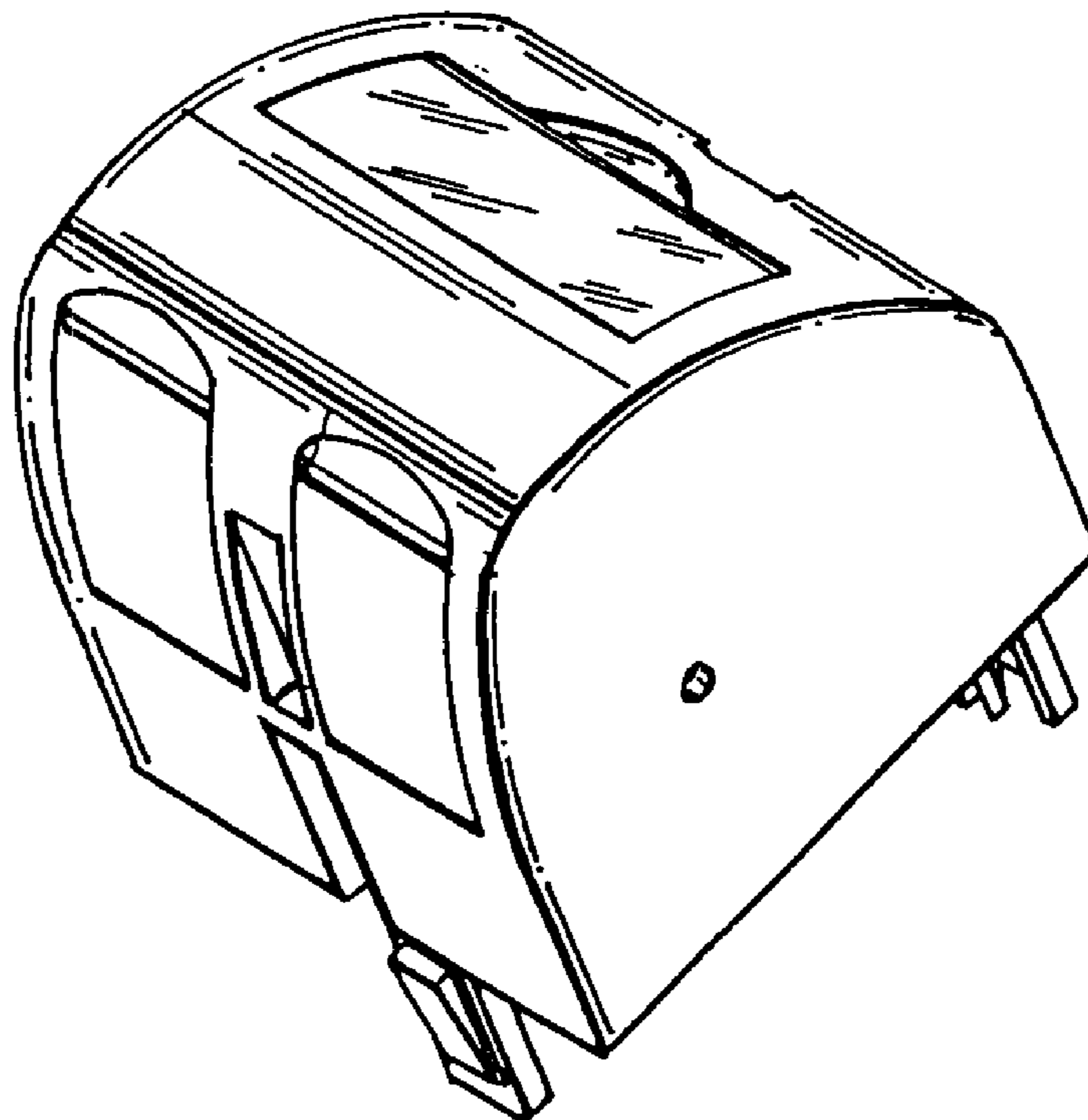


FIG.2

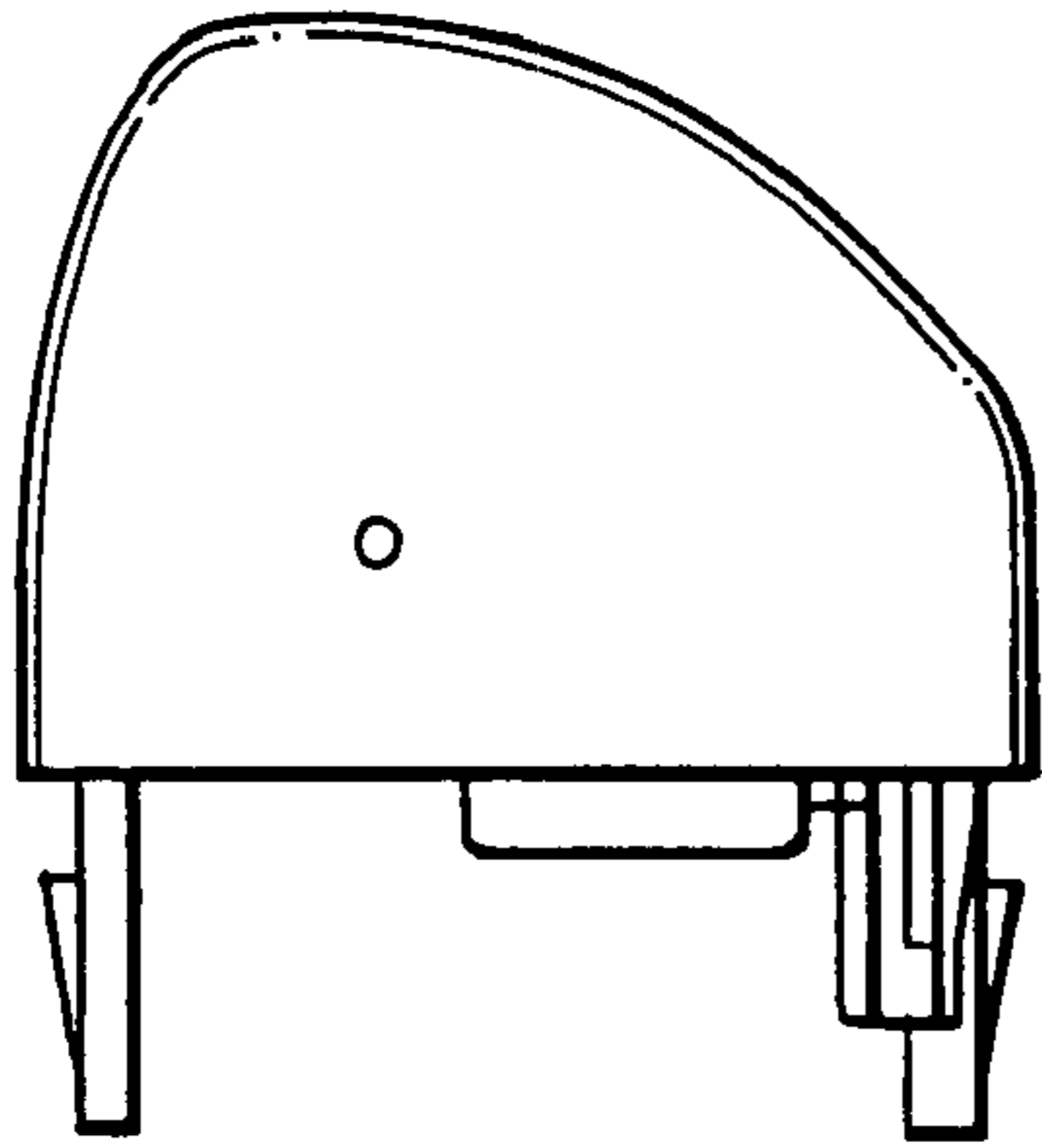


FIG.1

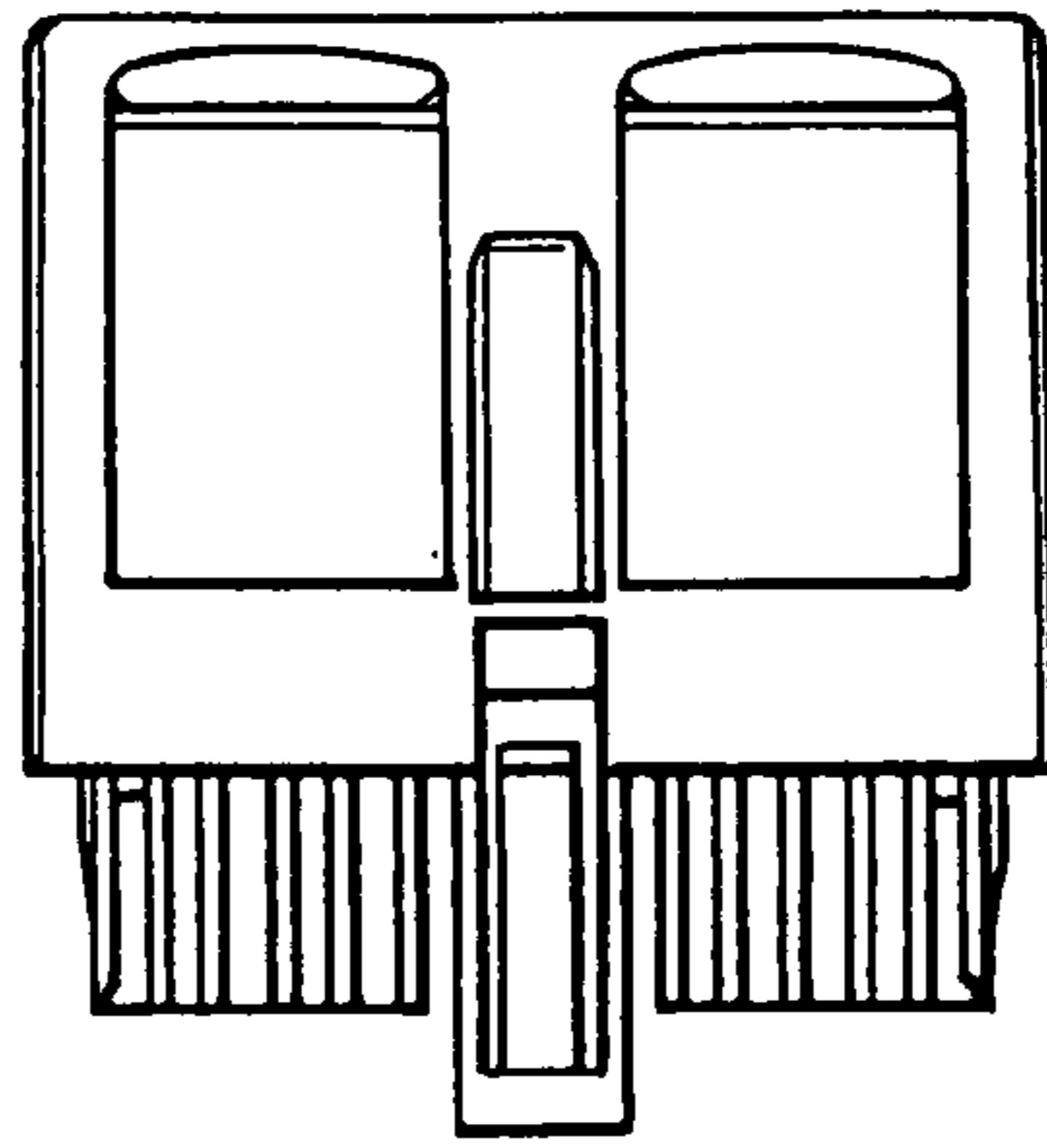


FIG.3

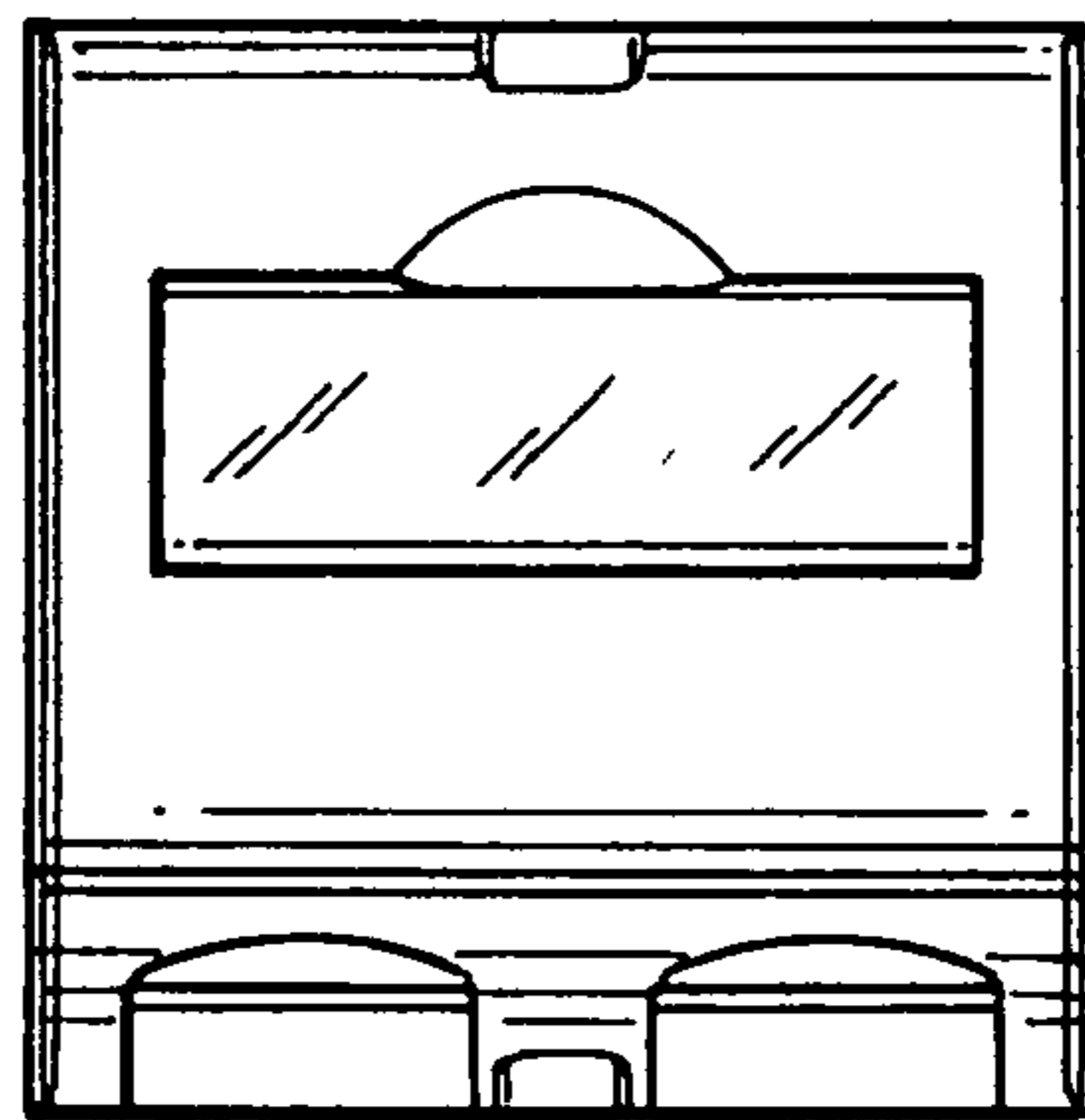


FIG.4

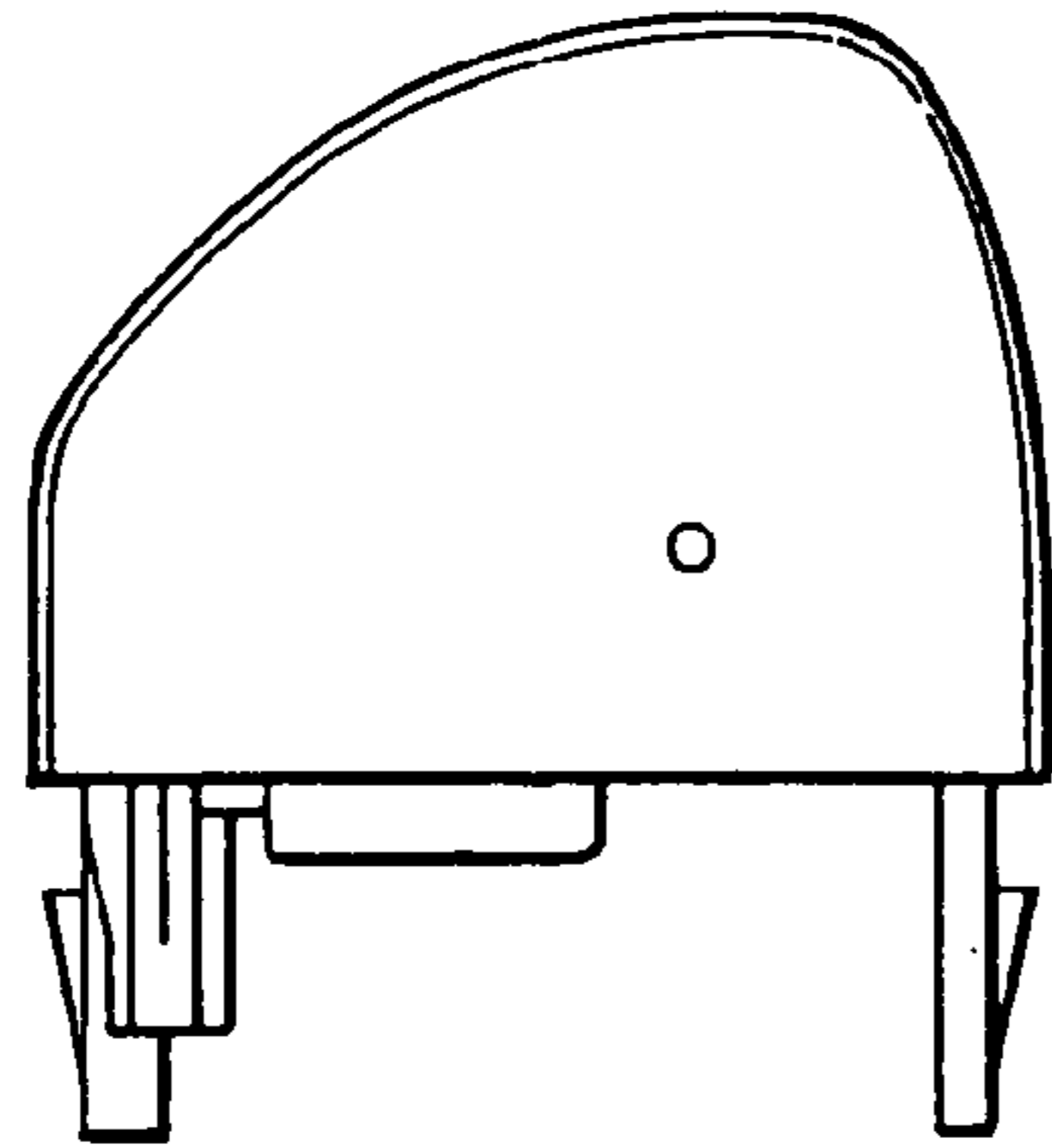


FIG.5

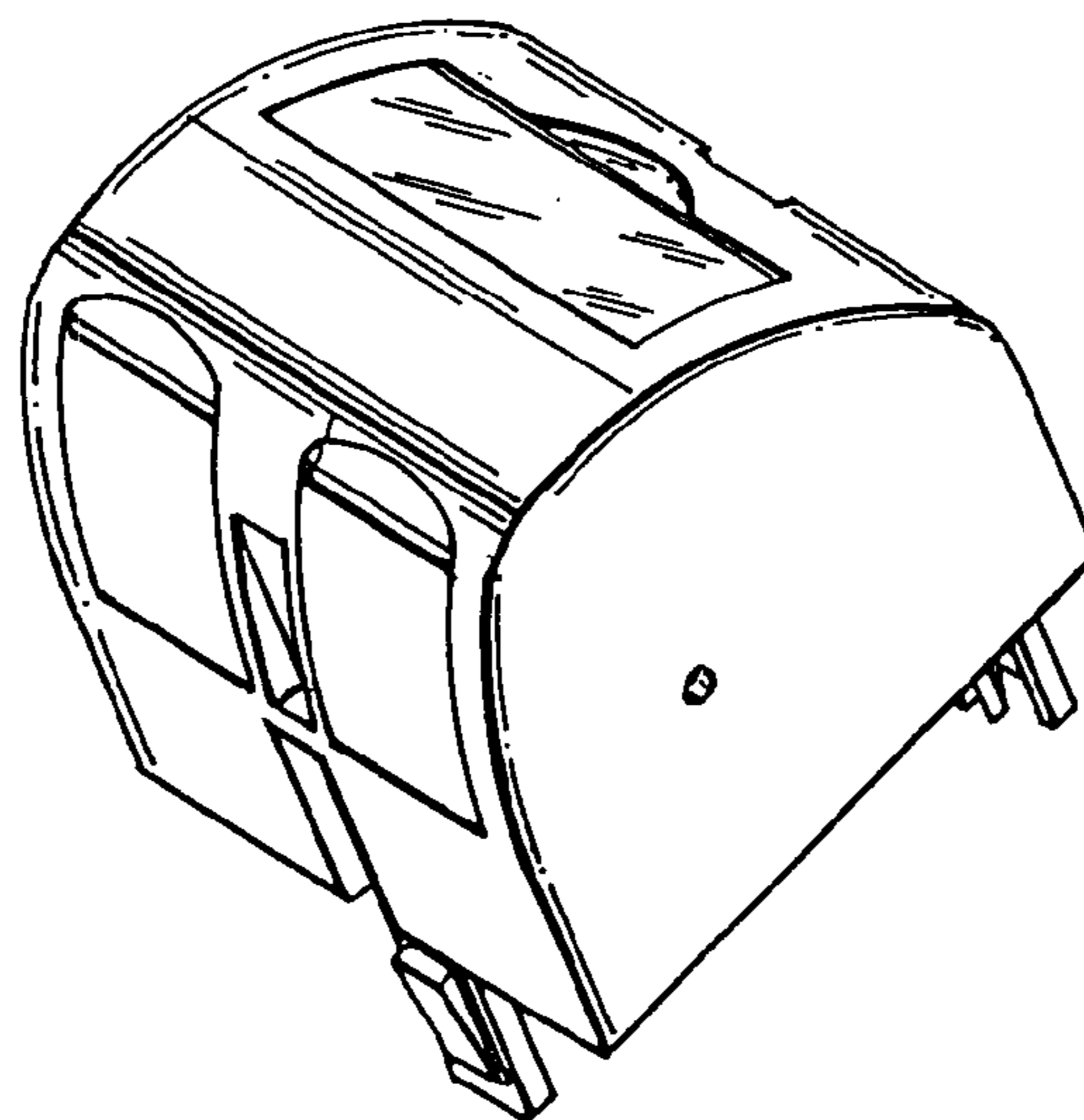
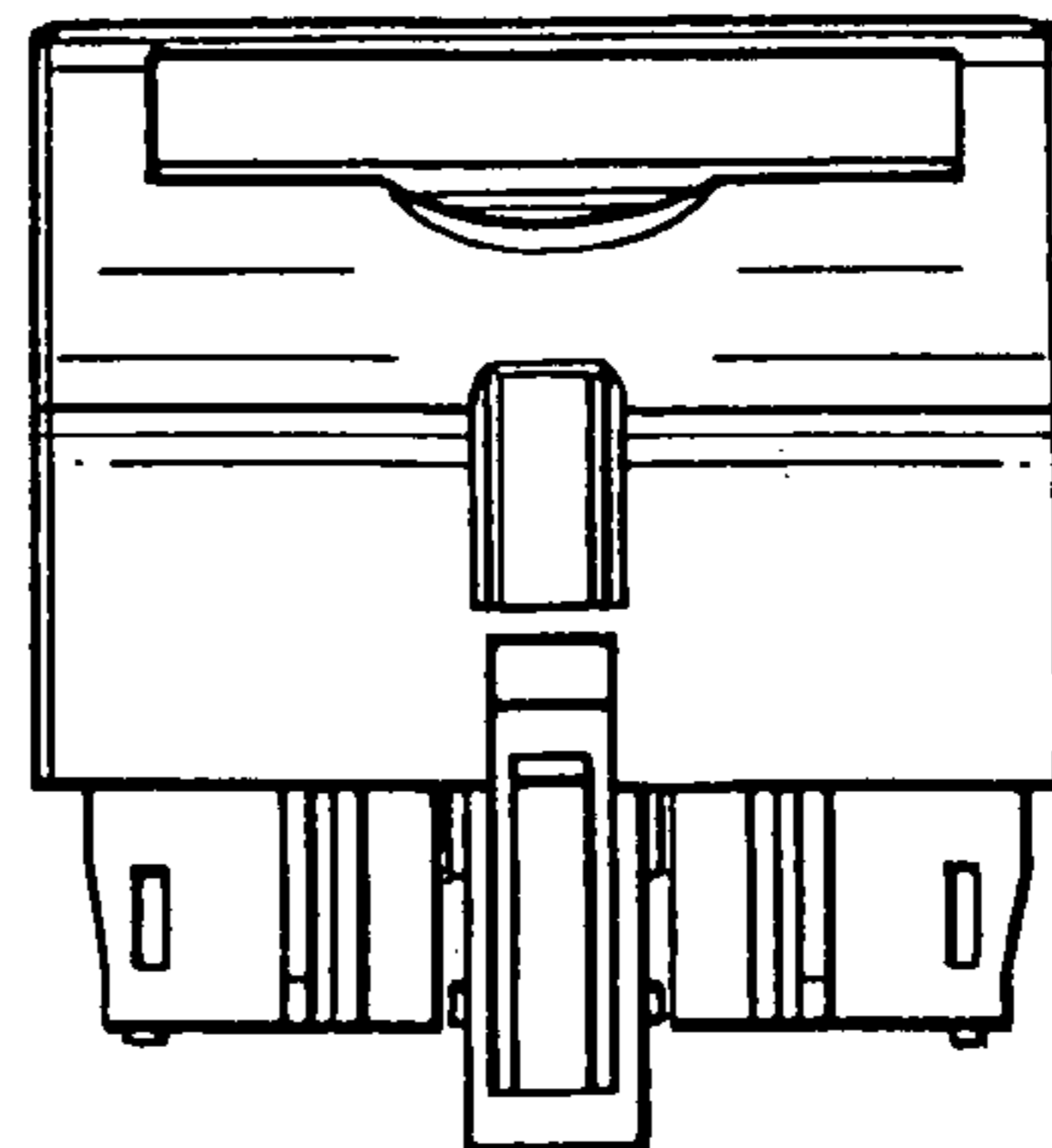


FIG.6