

US00D548185S

(12) **United States Design Patent**
Harano et al.

(10) **Patent No.:** **US D548,185 S**
(45) **Date of Patent:** **** Aug. 7, 2007**

(54) **CONNECTOR FOR PHOTOELECTRIC CONVERSION**

(75) Inventors: **Tomokazu Harano**, Tsu (JP); **Mitsuru Iida**, Yokohama (JP); **Shunsuke Hashimoto**, Tsu (JP)

(73) Assignee: **Matsushita Electric Works, Ltd.**, Osaka (JP)

(**) Term: **14 Years**

(21) Appl. No.: **29/243,133**

(22) Filed: **Nov. 18, 2005**

(30) **Foreign Application Priority Data**

May 18, 2005 (JP) 2005-014271

(51) **LOC (8) Cl.** **13-03**

(52) **U.S. Cl.** **D13/133**

(58) **Field of Classification Search** D13/101, D13/123, 133, 146, 147, 149, 153, 154; D16/130, D16/136, 242, 245; 385/15, 25, 31; 439/109-111, 439/115, 121, 122, 246, 214-216, 532-533, 439/607-610

See application file for complete search history.

(56) **References Cited**

U.S. PATENT DOCUMENTS

- D229,940 S * 1/1974 Irie D13/147
- D264,711 S * 6/1982 Ford D13/147
- 4,422,715 A * 12/1983 Williams et al. 385/85
- 5,121,454 A * 6/1992 Iwano et al. 385/60
- 6,386,919 B2 * 5/2002 Medina et al. 439/610
- 6,934,450 B2 * 8/2005 Hiramatsu 385/52
- 2003/0194907 A1 * 10/2003 Riner et al. 439/532

FOREIGN PATENT DOCUMENTS

JP 1203392 4/2004

OTHER PUBLICATIONS

Most Connectors ML-940, MC-941, Mitsui, 4 pages.
Optical Interconnecton System, OASIS, 1 page.
Optical connectors for MOST, Furukawa Electric Co., Ltd. 2001, 2 pages.
New Release, MOST Optical Connectors: HVE0178, Hosiden Corporation, 2002, 1 page.

* cited by examiner

Primary Examiner—Daniel Bui

(74) *Attorney, Agent, or Firm*—Osha•Liang LLP

(57) **CLAIM**

The ornamental design for a connector for photoelectric conversion, as shown and described.

DESCRIPTION

FIG. 1 is a top, front and left side perspective view of a connector for photoelectric conversion, showing our new design;

FIG. 2 is a bottom, rear and left side perspective view thereof;

FIG. 3 is a top, front and left side perspective view thereof, in use condition;

FIG. 4 is a top plan view thereof;

FIG. 5 is a bottom plan view thereof;

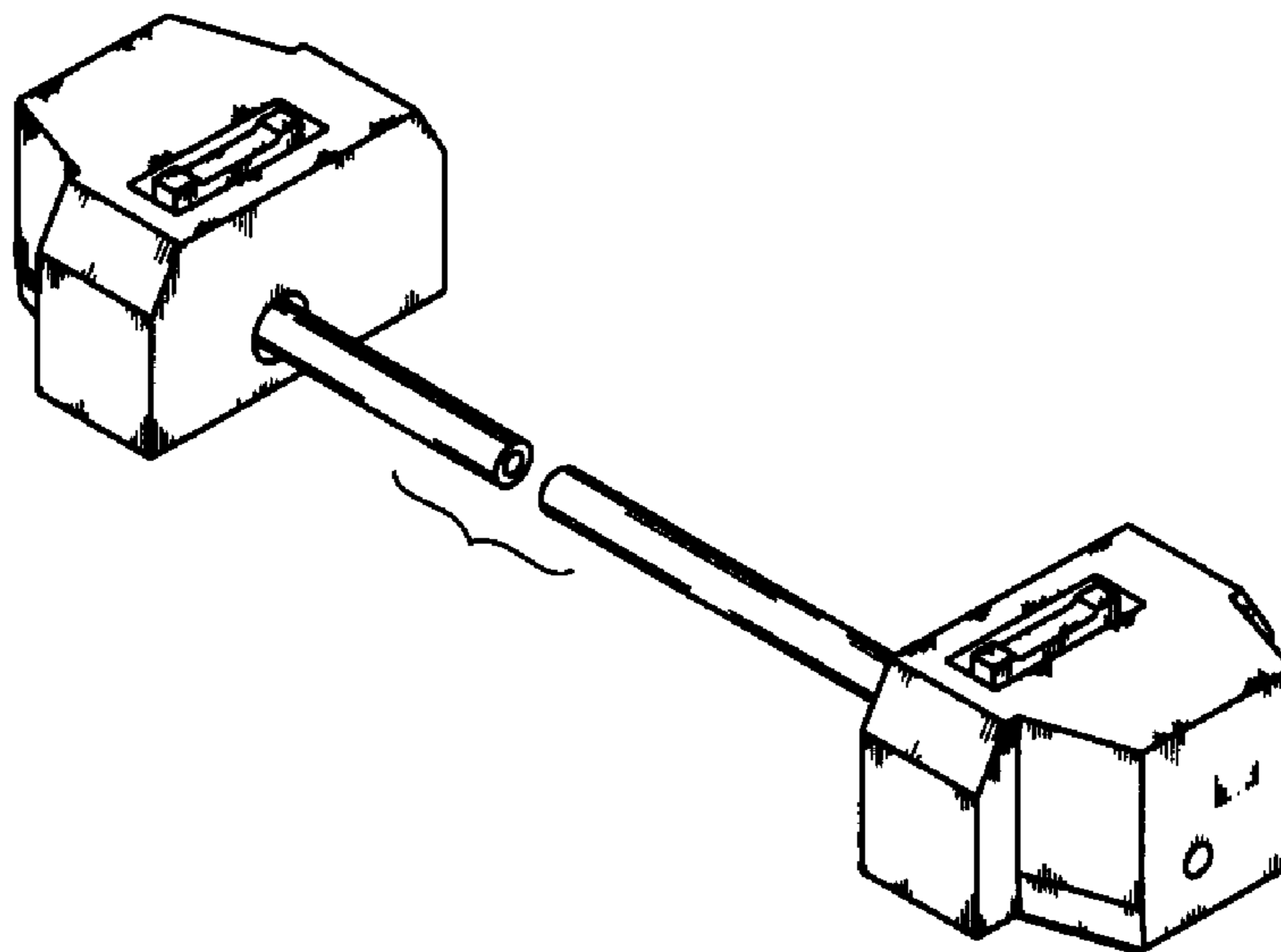
FIG. 6 is a right side elevation view thereof, the left side elevation view is a mirror image thereto;

FIG. 7 is a front elevation view thereof, the rear elevation view is a mirror image thereto; and,

FIG. 8 is a cross sectional view thereof, taken along line 8—8 shown in FIG. 6.

The broken line showing of the environment is for illustrative purposes only and forms no part of the claimed design.

1 Claim, 4 Drawing Sheets



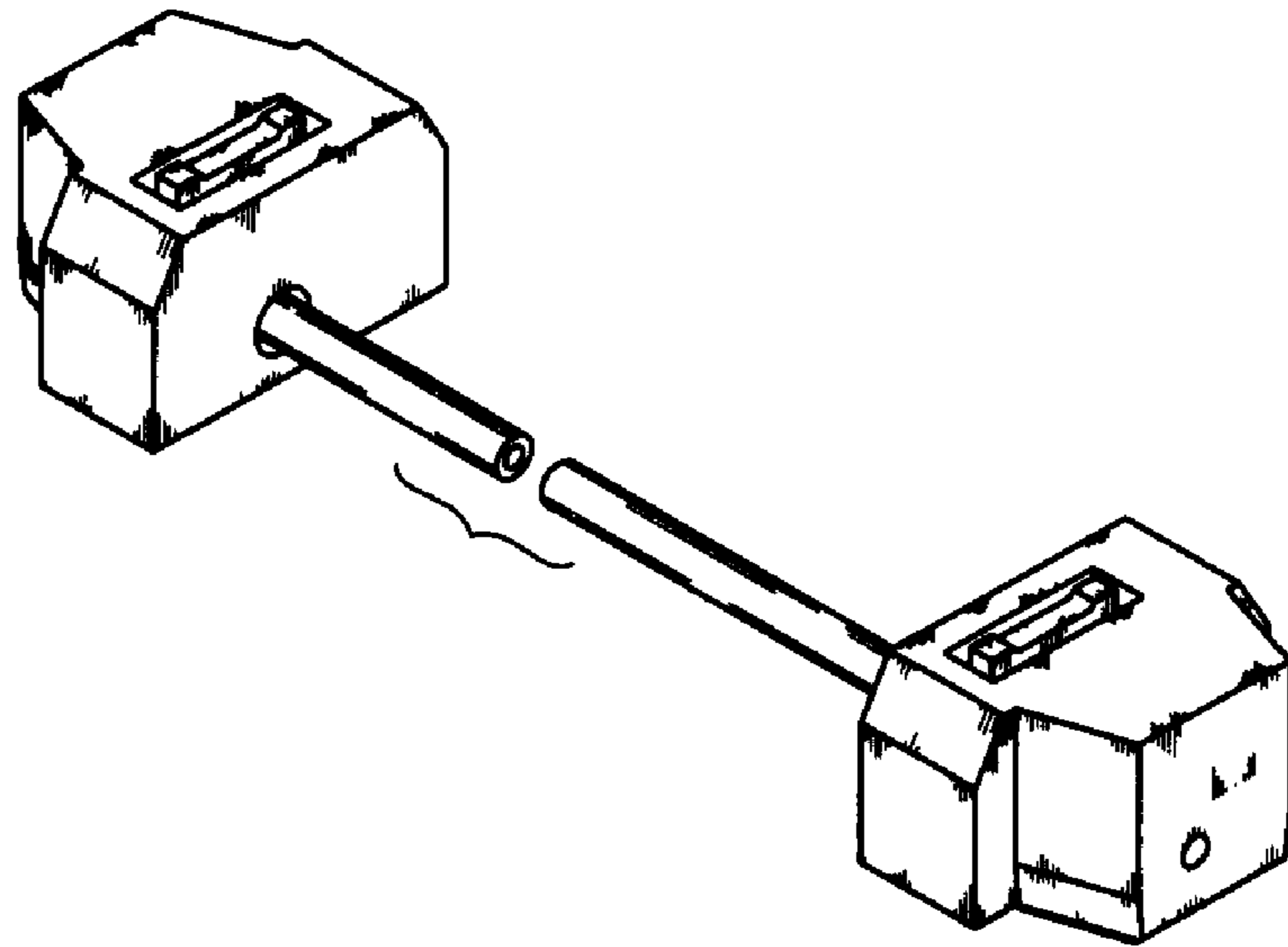


FIG. 1

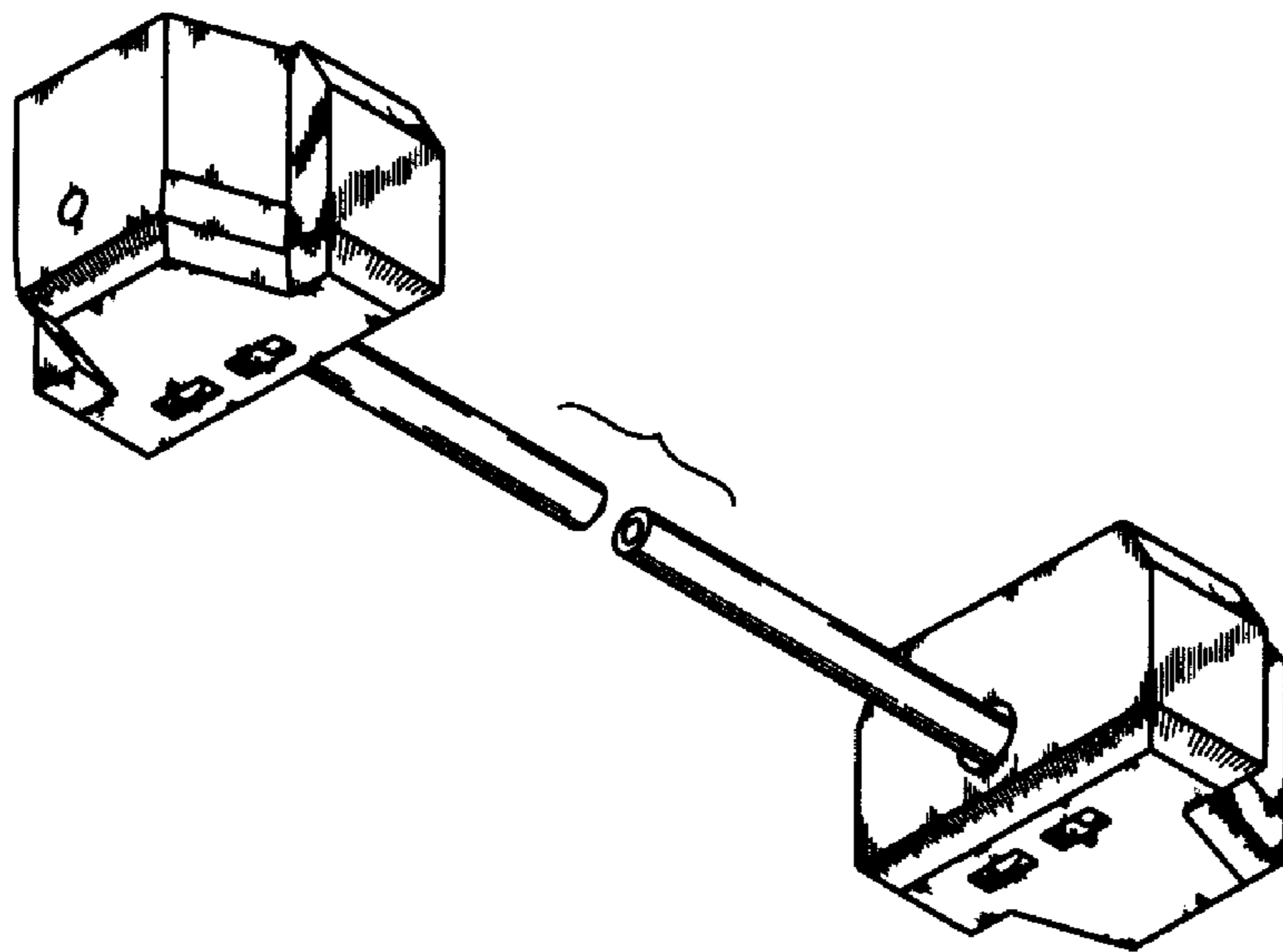


FIG. 2

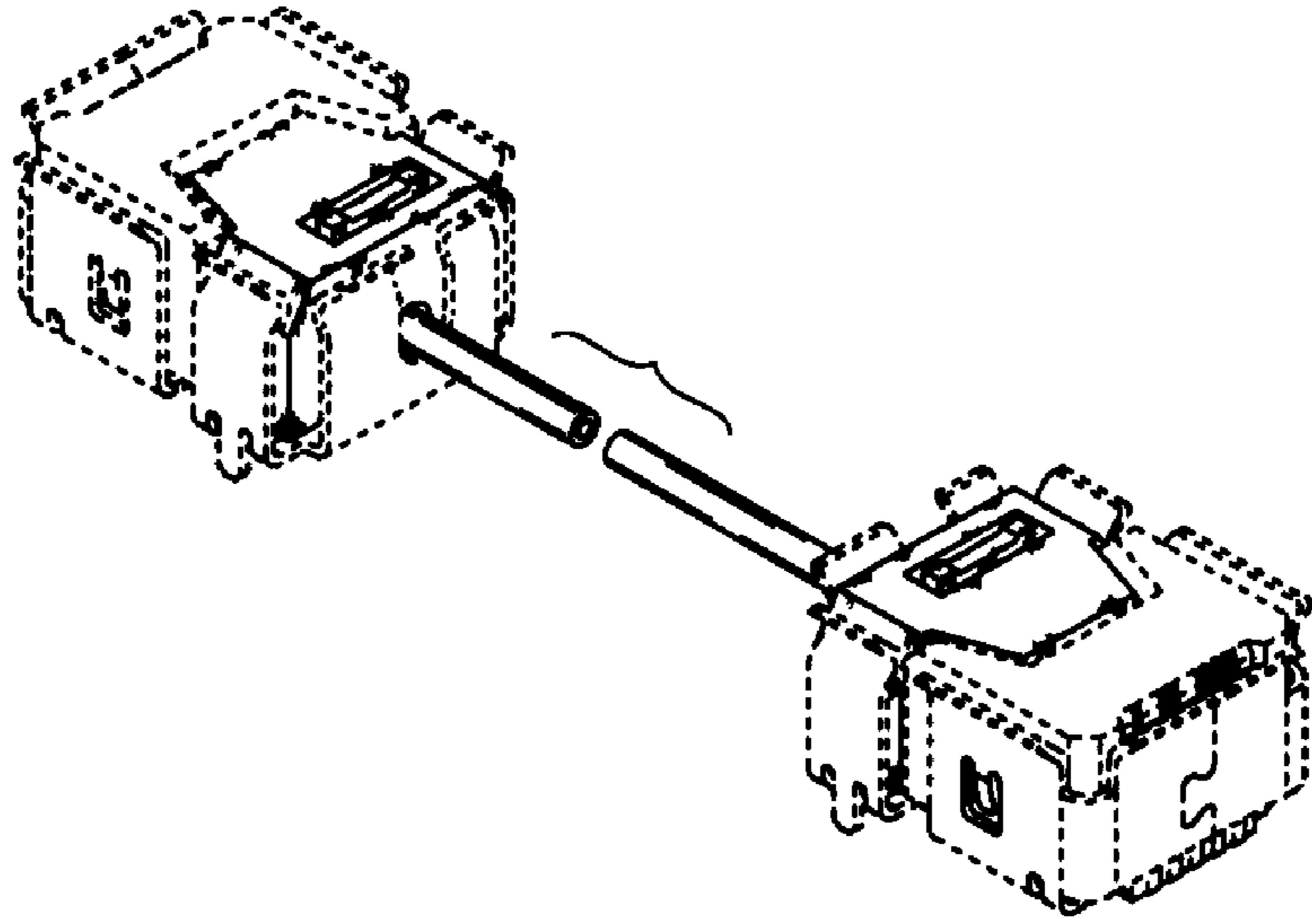


FIG. 3

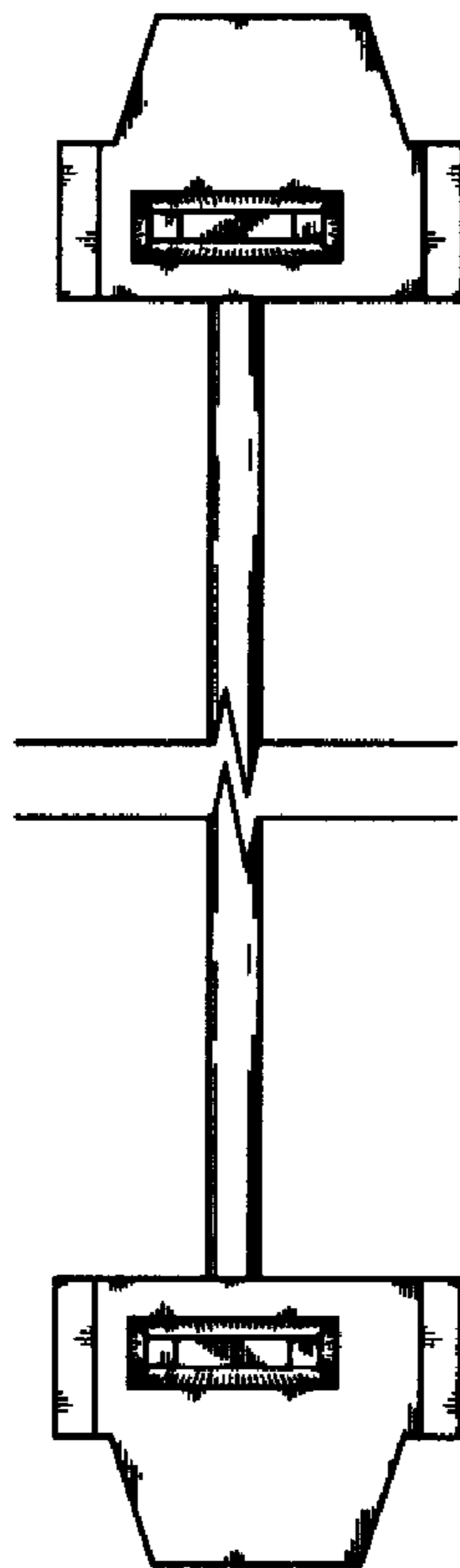


FIG. 4

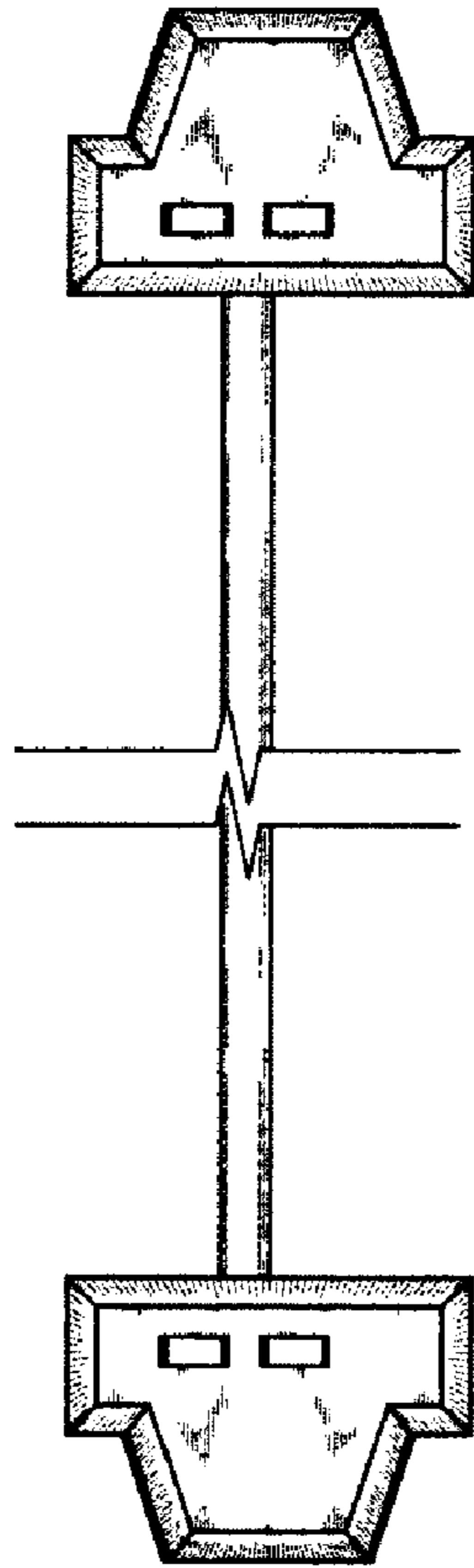


FIG. 5

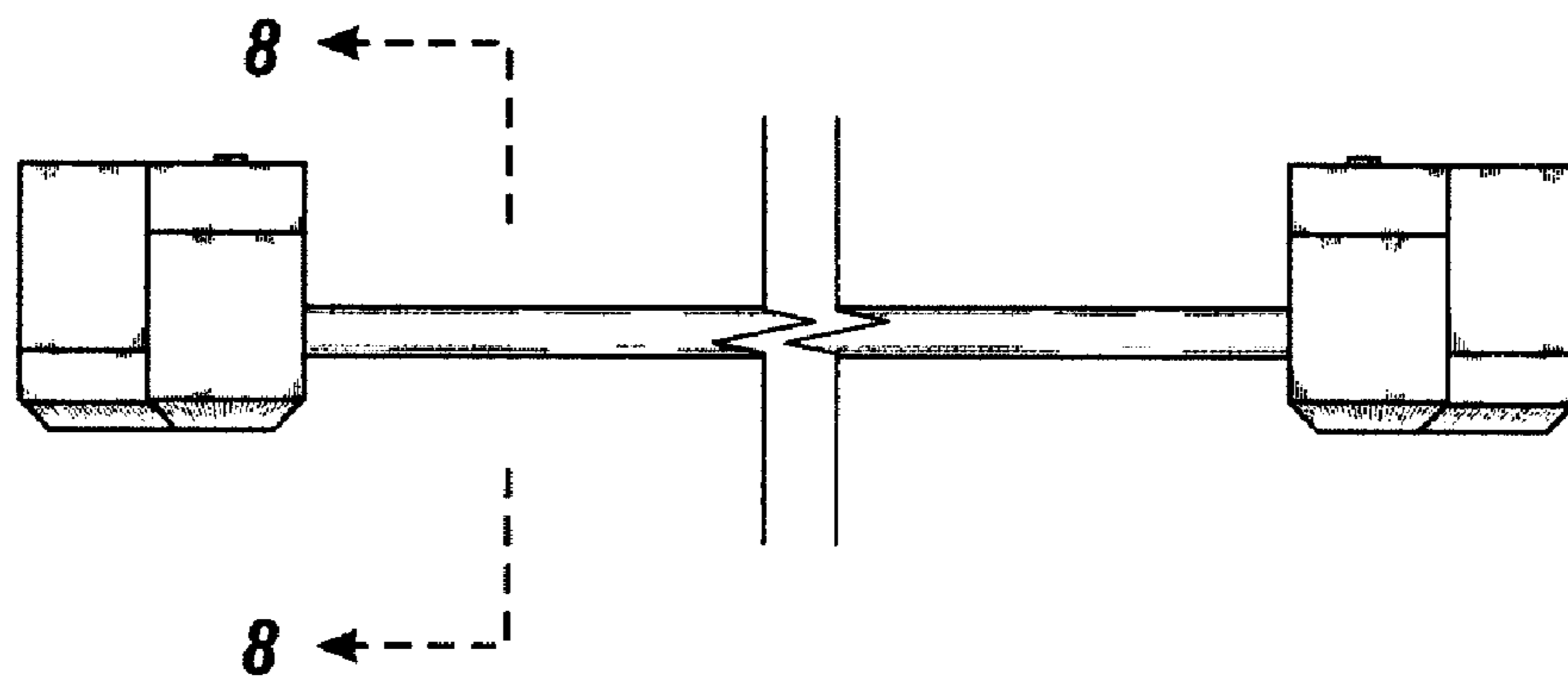


FIG. 6

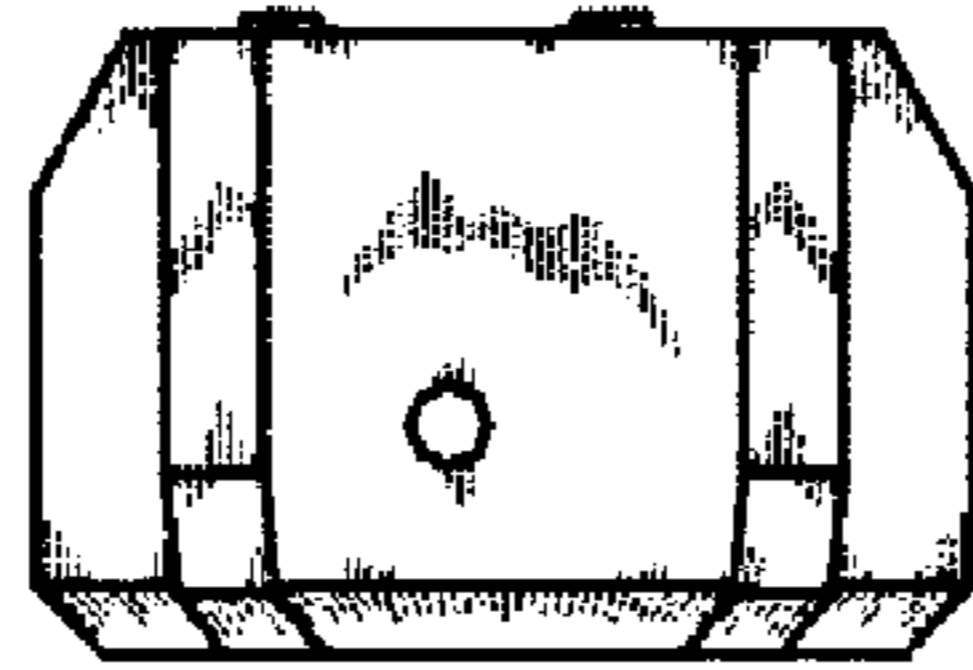


FIG. 7

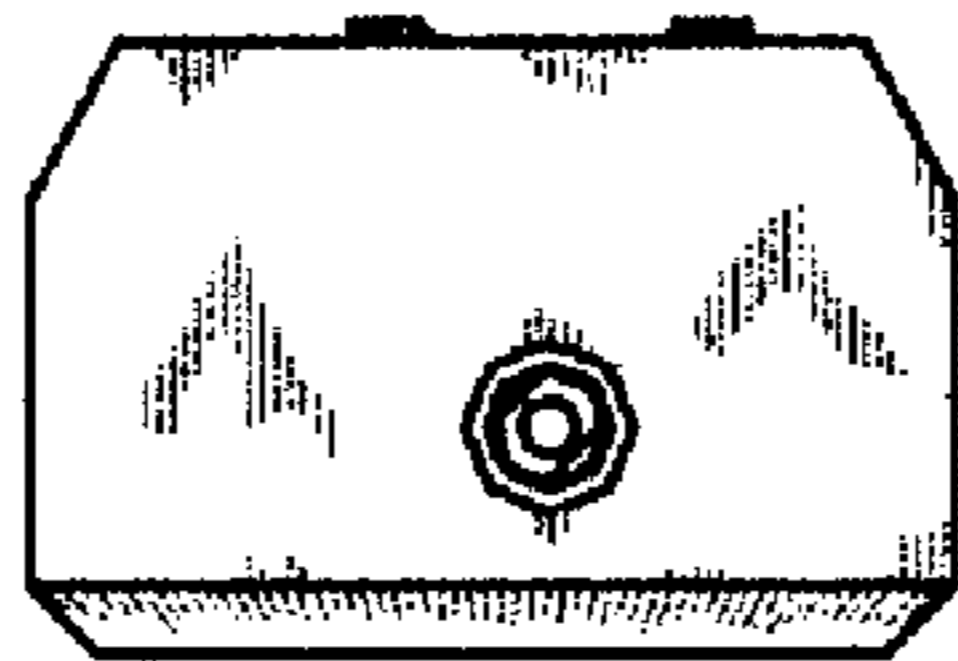


FIG. 8