

US00D548181S

(12) **United States Design Patent**  
**Krieger et al.**

(10) **Patent No.: US D548,181 S**

(45) **Date of Patent: \*\* Aug. 7, 2007**

(54) **IMOBILE INVERTER**

D494,541 S \* 8/2004 Hriscu et al. .... D13/110  
D496,629 S \* 9/2004 Hriscu et al. .... D13/110

(75) Inventors: **Michael Krieger**, Miami Beach, FL (US); **Kevin Ellsworth**, Alva, FL (US)

\* cited by examiner

(73) Assignee: **Vector Products, Inc.**, Ft. Lauderdale, FL (US)

*Primary Examiner*—Stella Reid  
*Assistant Examiner*—Derrick Holland  
(74) *Attorney, Agent, or Firm*—Venable LLP; Robert Kinberg

(\*\*) Term: **14 Years**

(21) Appl. No.: **29/241,682**

(57) **CLAIM**

(22) Filed: **Nov. 1, 2005**

The ornamental design for an imobile inverter, as shown and described.

(51) **LOC (8) Cl.** ..... **13-02**

(52) **U.S. Cl.** ..... **D13/110**

(58) **Field of Classification Search** ..... D13/110,  
D13/123, 184, 199; 337/186; 361/600,  
361/601, 730; 363/141, 142  
See application file for complete search history.

**DESCRIPTION**

FIG. 1 is a perspective view from the front-top-right side of the imobile inverter showing our new design;

FIG. 2 is a front view of the design shown in FIG. 1;

FIG. 3 is a rear view of the design shown in FIG. 1;

FIG. 4 is a left side view of the design shown in FIG. 1;

FIG. 5 is a right side view of the design shown in FIG. 1;

FIG. 6 is a top view of the design shown in FIG. 1; and,

FIG. 7 is a bottom view of the design shown in FIG. 1.

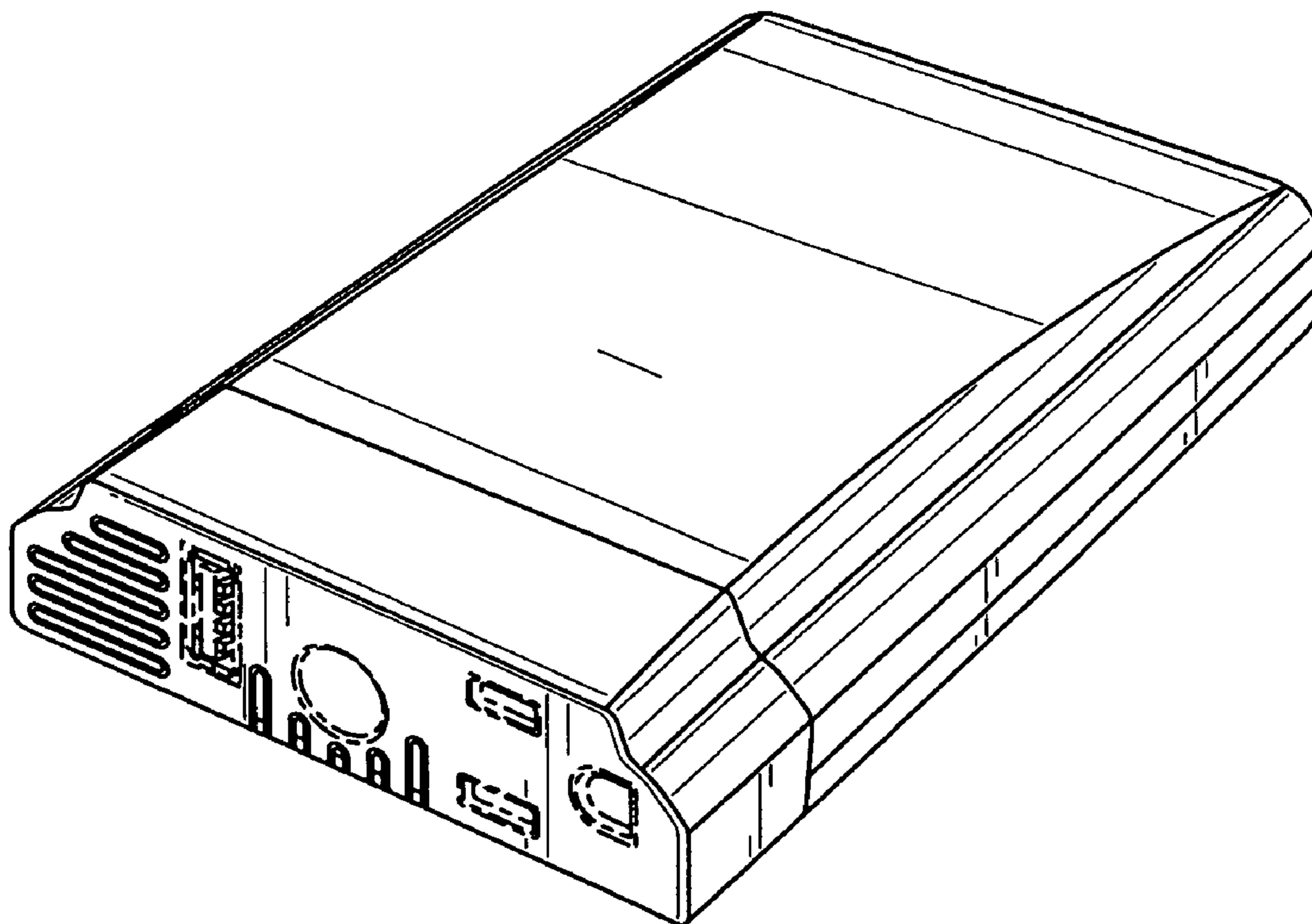
The broken lines immediately adjacent the shaded areas represent the bounds of the claimed design while all other broken lines are for illustrative purposes only; the broken lines form no part of the claimed design.

(56) **References Cited**

U.S. PATENT DOCUMENTS

4,872,102	A *	10/1989	Getter	.....	363/141
5,170,336	A *	12/1992	Getter et al.	.....	363/141
D349,682	S *	8/1994	Hunziker	.....	D13/110
D413,567	S *	9/1999	Person et al.	.....	D13/110
5,949,640	A *	9/1999	Cameron et al.	.....	361/600
D426,810	S *	6/2000	Wei	.....	D13/110
D427,146	S *	6/2000	Wei	.....	D13/110
D427,147	S *	6/2000	Wei	.....	D13/110
D427,148	S *	6/2000	Wei	.....	D13/110

**1 Claim, 7 Drawing Sheets**



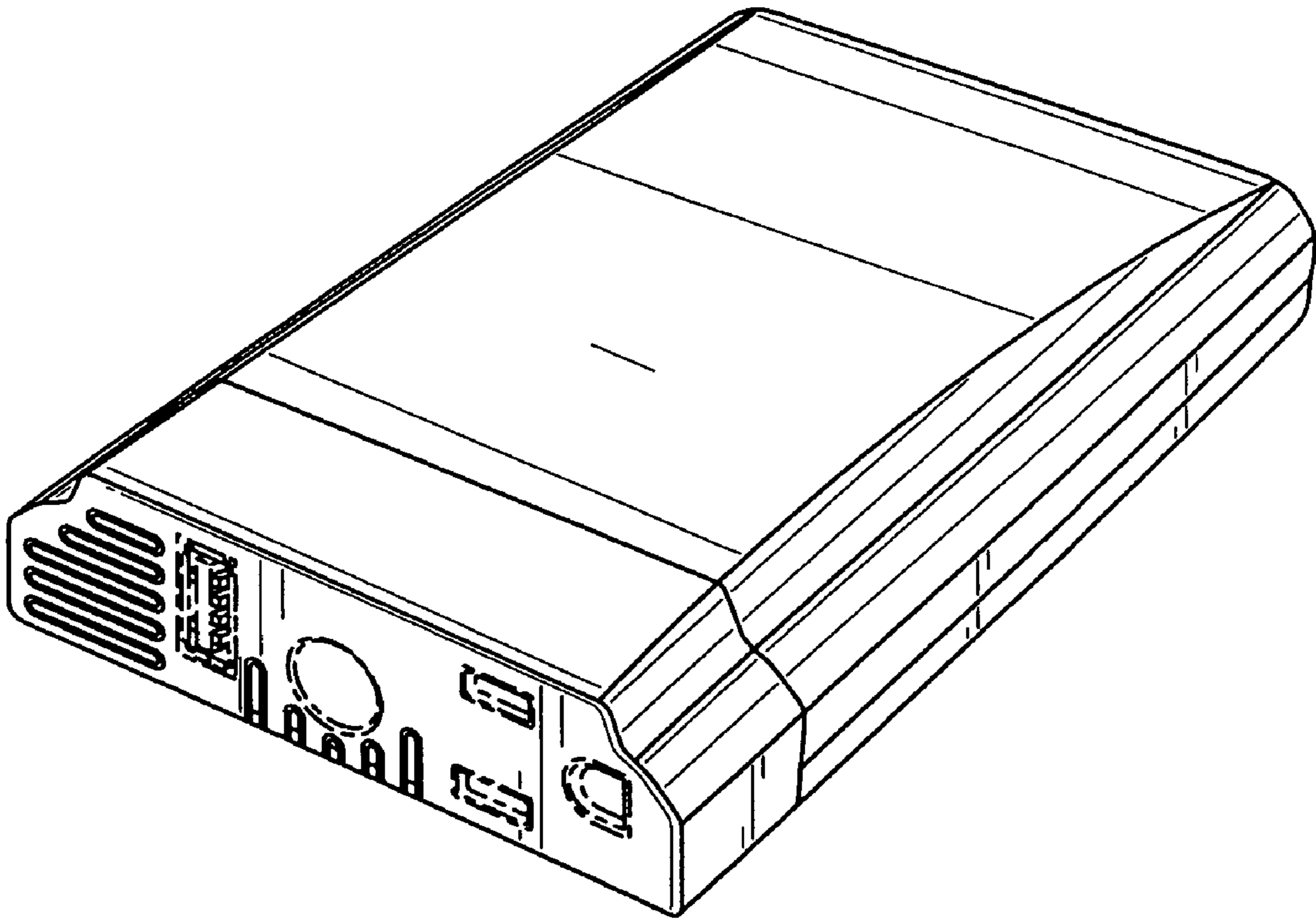


FIG. 1

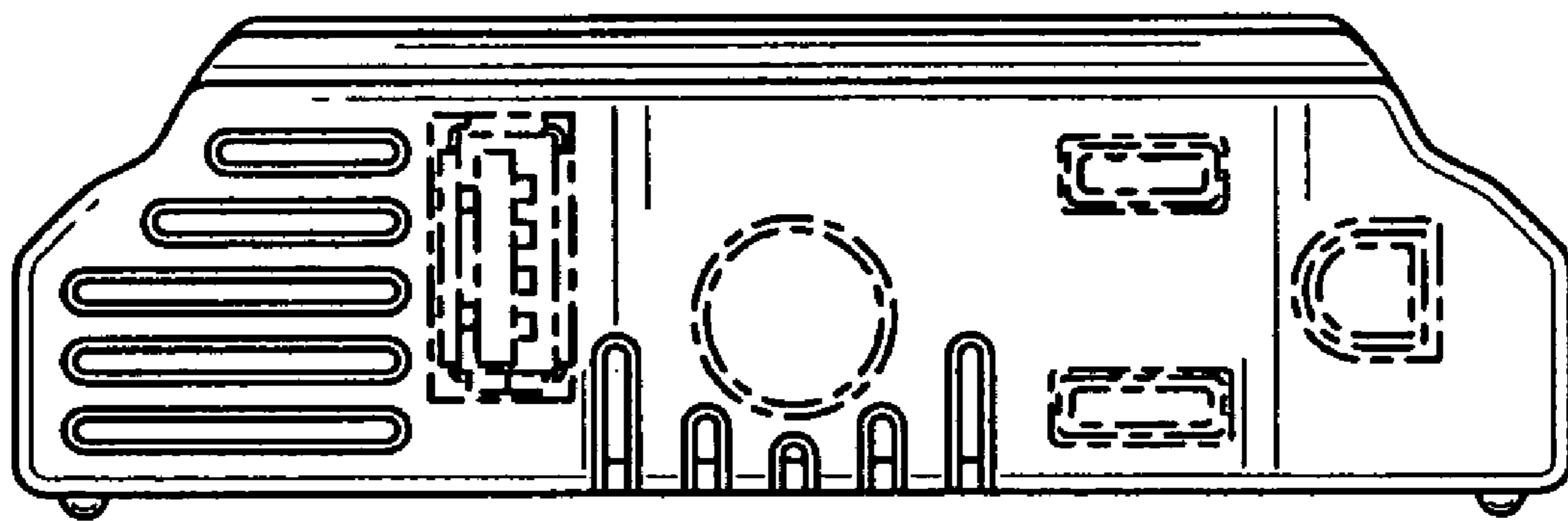


FIG. 2

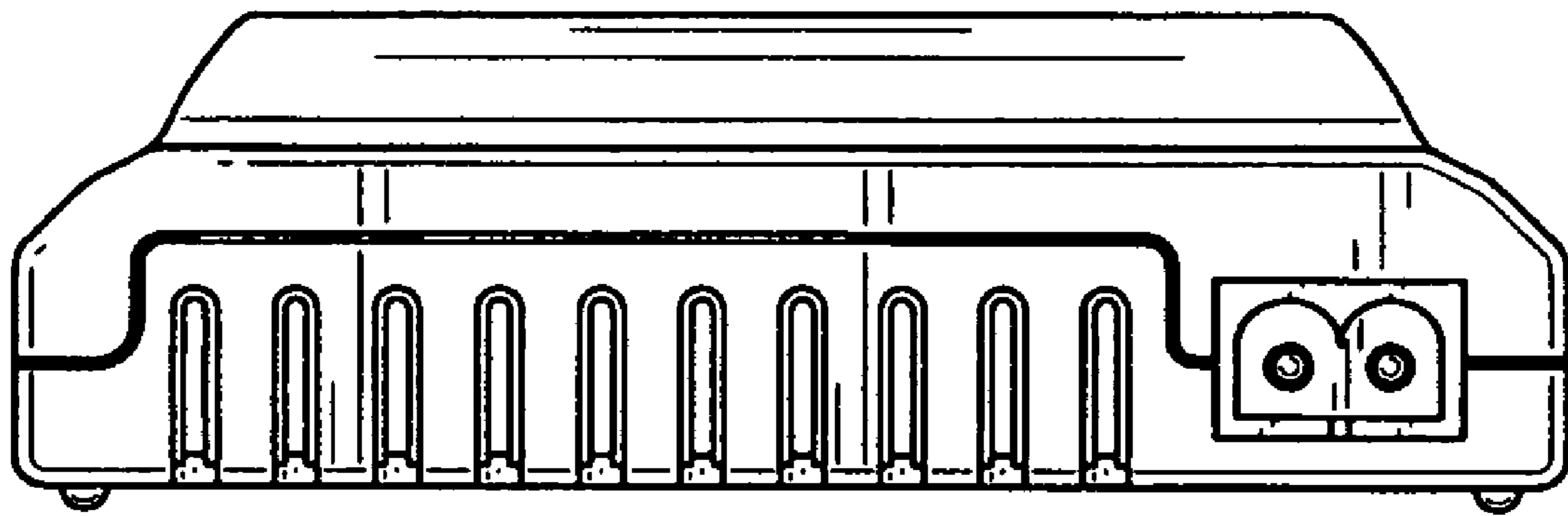


FIG. 3

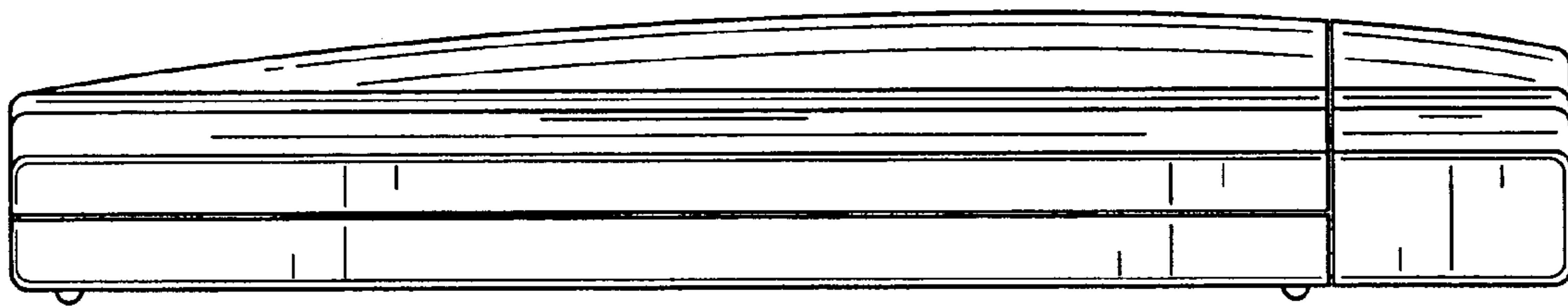


FIG. 4

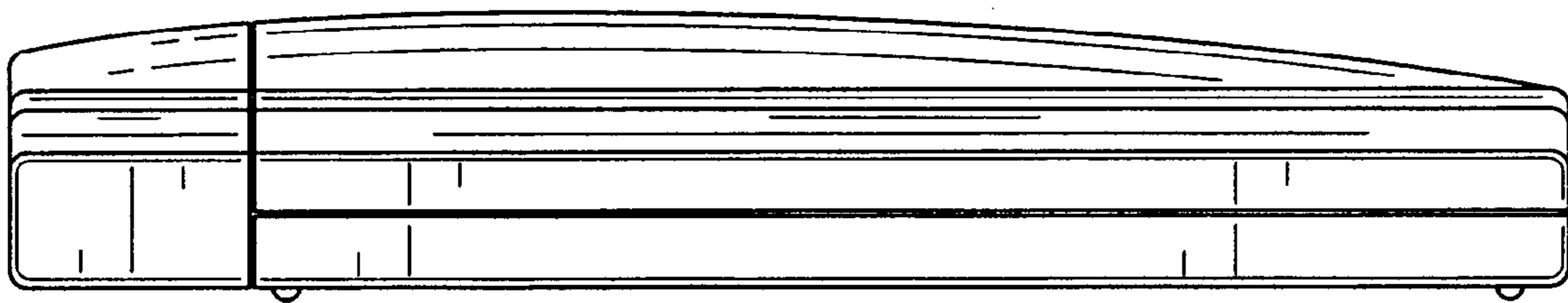


FIG. 5

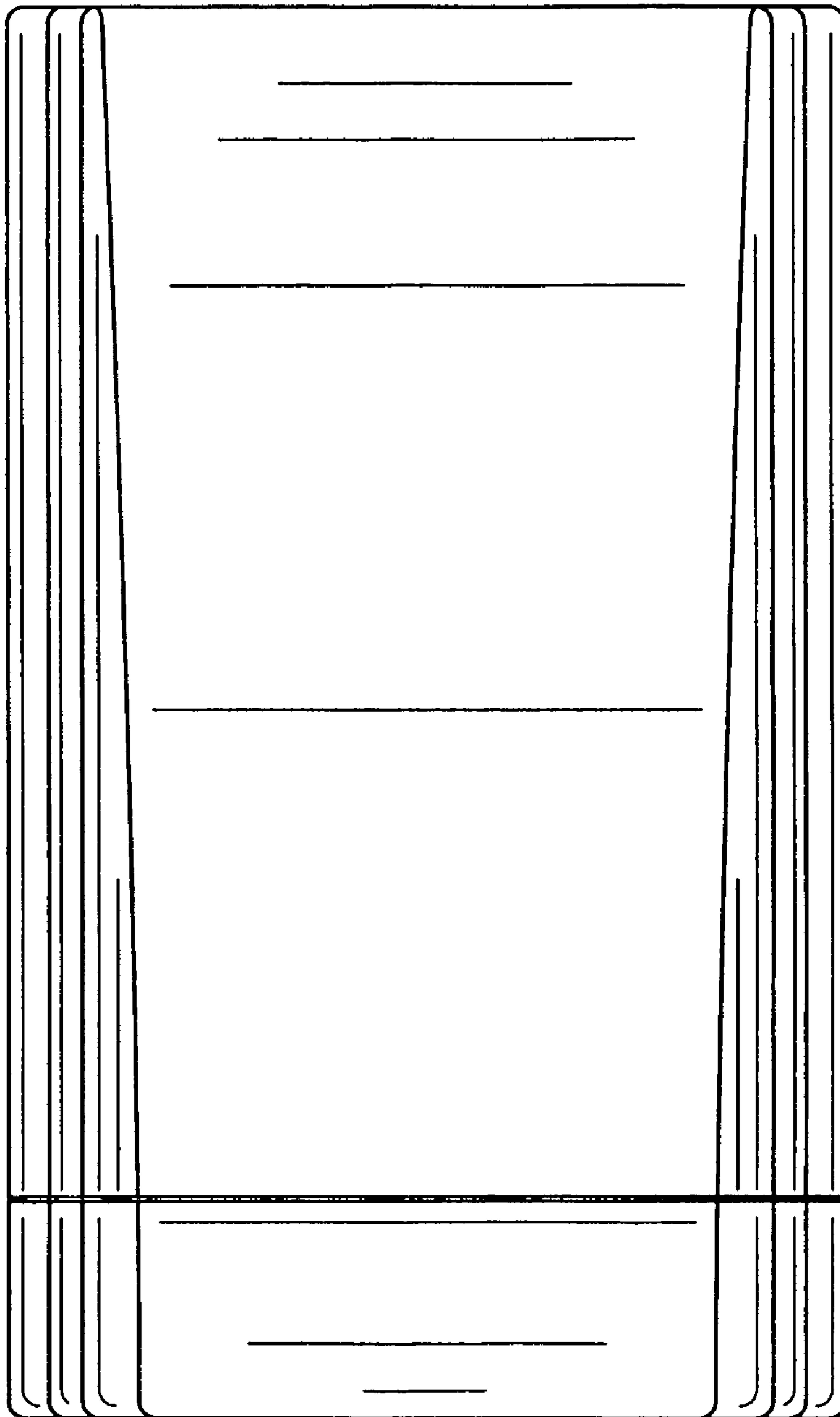


FIG. 6

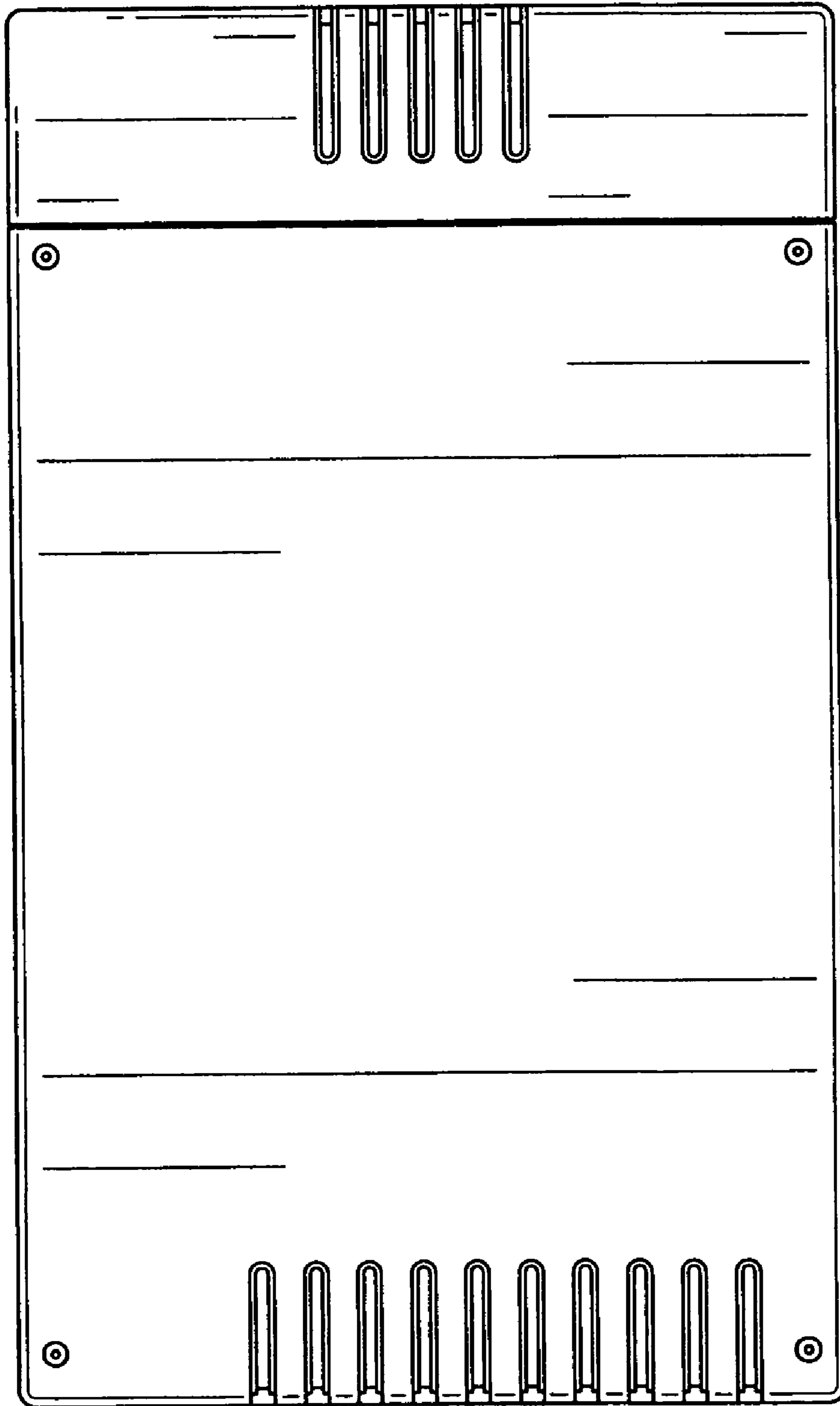


FIG. 7