

US00D548180S

(12) **United States Design Patent**
Krieger et al.

(10) **Patent No.:** **US D548,180 S**

(45) **Date of Patent:** **** Aug. 7, 2007**

(54) **IMOBILE INVERTER**

D427,148 S * 6/2000 Wei D13/110

(75) Inventors: **Michael Krieger**, Miami Beach, FL (US); **Kevin Ellsworth**, Alva, FL (US)

* cited by examiner

Primary Examiner—Stella Reid
Assistant Examiner—Derrick Holland

(73) Assignee: **Vector Products, Inc.**, Ft. Lauderdale, FL (US)

(74) *Attorney, Agent, or Firm*—Venable LLP; Robert Kinberg

(**) Term: **14 Years**

(57) **CLAIM**

(21) Appl. No.: **29/241,678**

The ornamental design for an imobile inverter, as shown and described.

(22) Filed: **Nov. 1, 2005**

(51) **LOC (8) Cl.** **13-02**

(52) **U.S. Cl.** **D13/110**

(58) **Field of Classification Search** D13/110,
D13/123, 184, 199; 337/186; 361/600,
361/601, 730; 363/141, 142
See application file for complete search history.

DESCRIPTION

FIG. 1 is a perspective view from the front-top-right side of the imobile inverter showing our new design;

FIG. 2 is a front view of the design shown in FIG. 1;

FIG. 3 is a rear view of the design shown in FIG. 1;

FIG. 4 is a left side view of the design shown in FIG. 1;

FIG. 5 is a right side view of the design shown in FIG. 1;

FIG. 6 is a top view of the design shown in FIG. 1; and,

FIG. 7 is a bottom view of the design shown in FIG. 1.

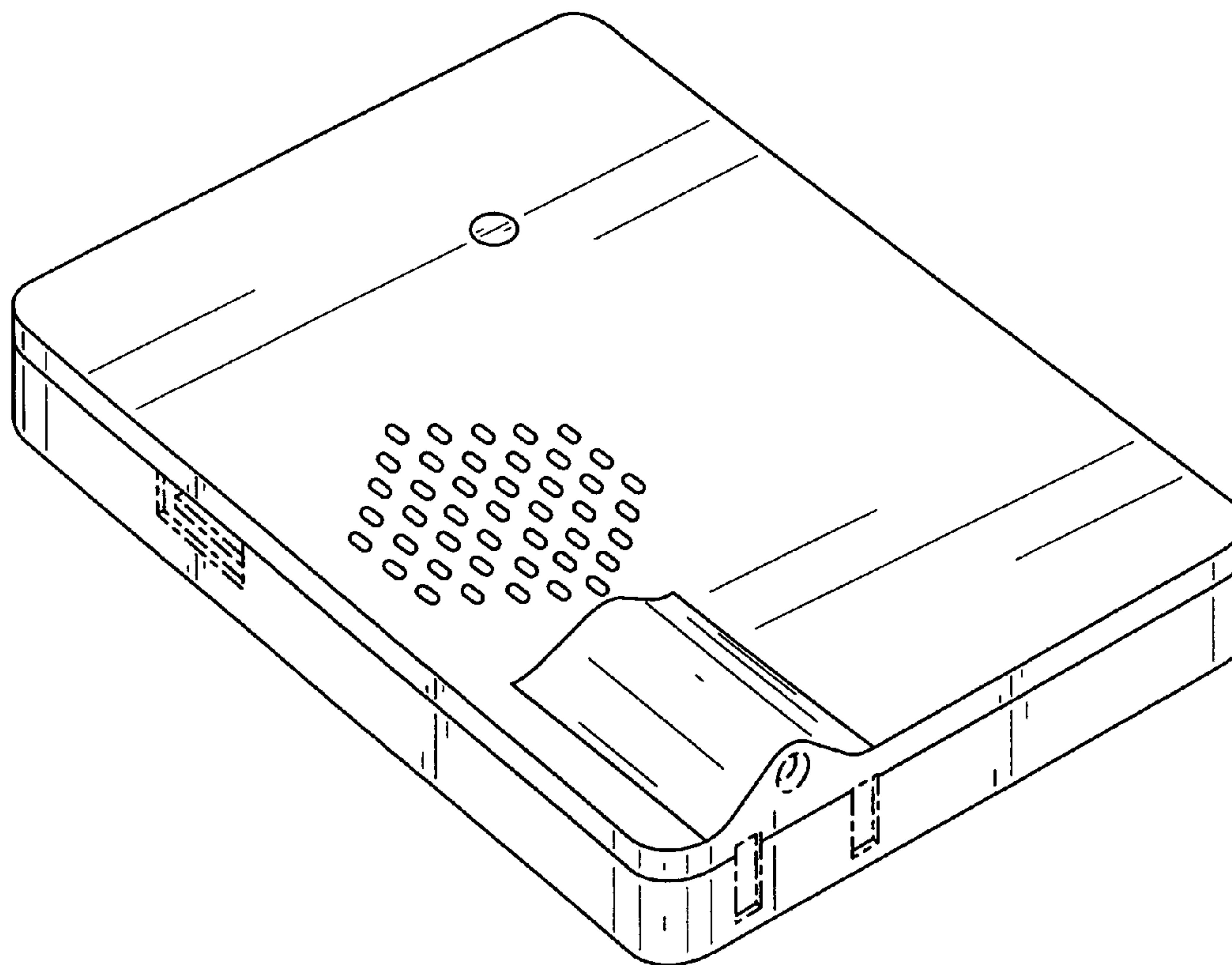
The broken lines immediately adjacent the shaded areas represent the bounds of the claimed design while all other broken lines are for illustrative purposes only; the broken lines form no part of the claimed design.

(56) **References Cited**

U.S. PATENT DOCUMENTS

4,872,102	A *	10/1989	Getter	363/141
D327,050	S *	6/1992	Zirinsky	D13/110
5,170,336	A *	12/1992	Getter et al.	363/141
D349,682	S *	8/1994	Hunziker	D13/110
5,949,640	A *	9/1999	Cameron et al.	361/600
D426,810	S *	6/2000	Wei	D13/110
D427,146	S *	6/2000	Wei	D13/110
D427,147	S *	6/2000	Wei	D13/110

1 Claim, 4 Drawing Sheets



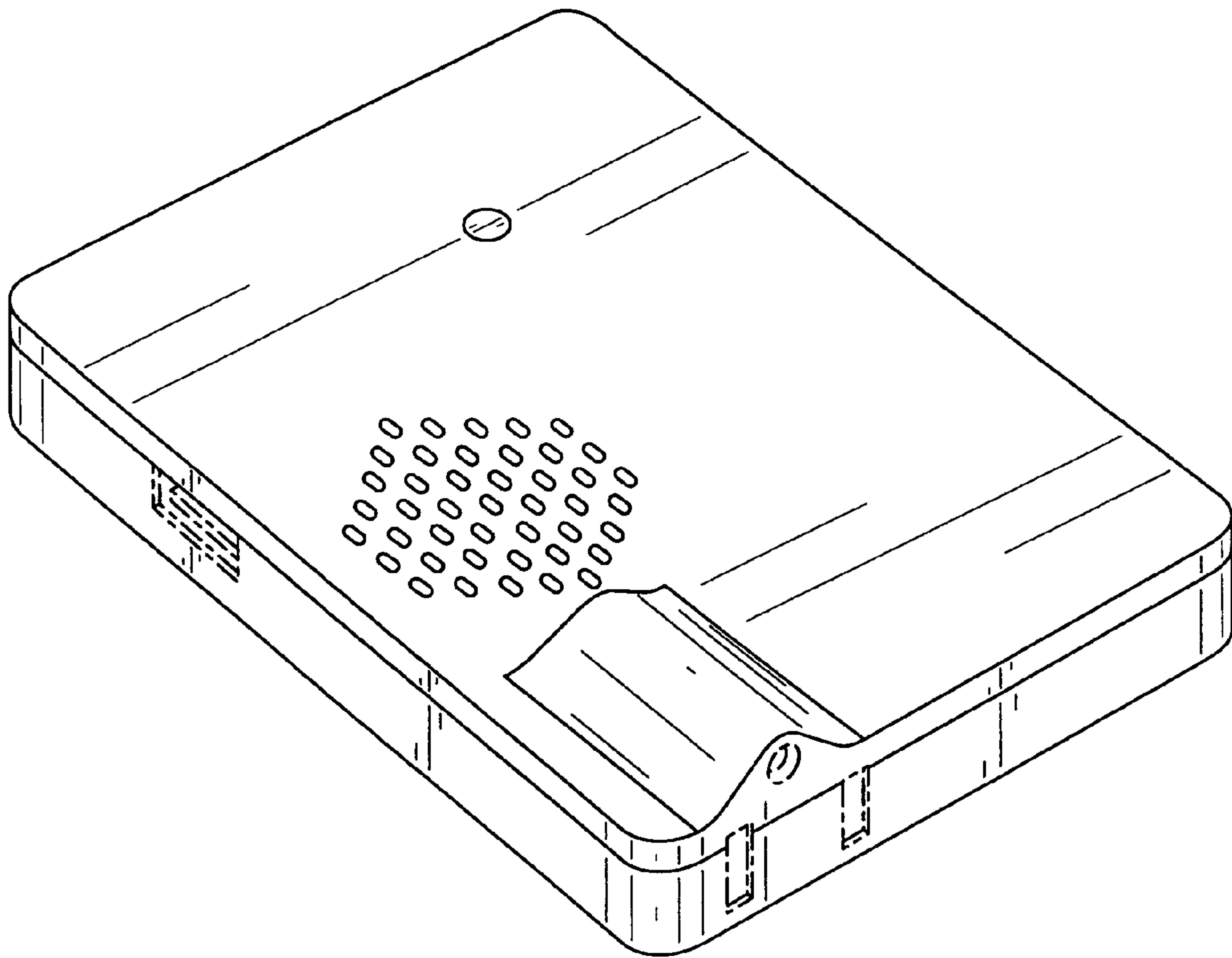


FIG. 1

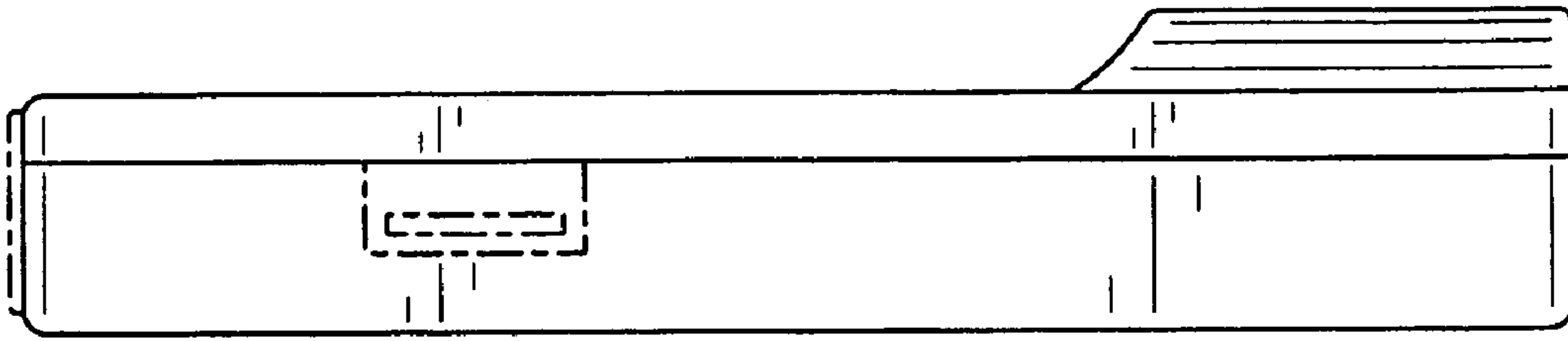


FIG. 2

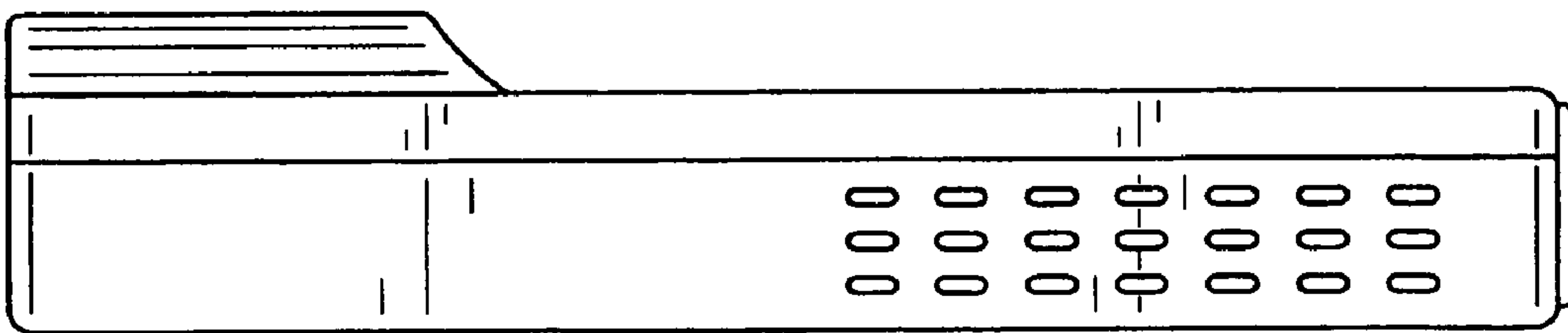


FIG. 3

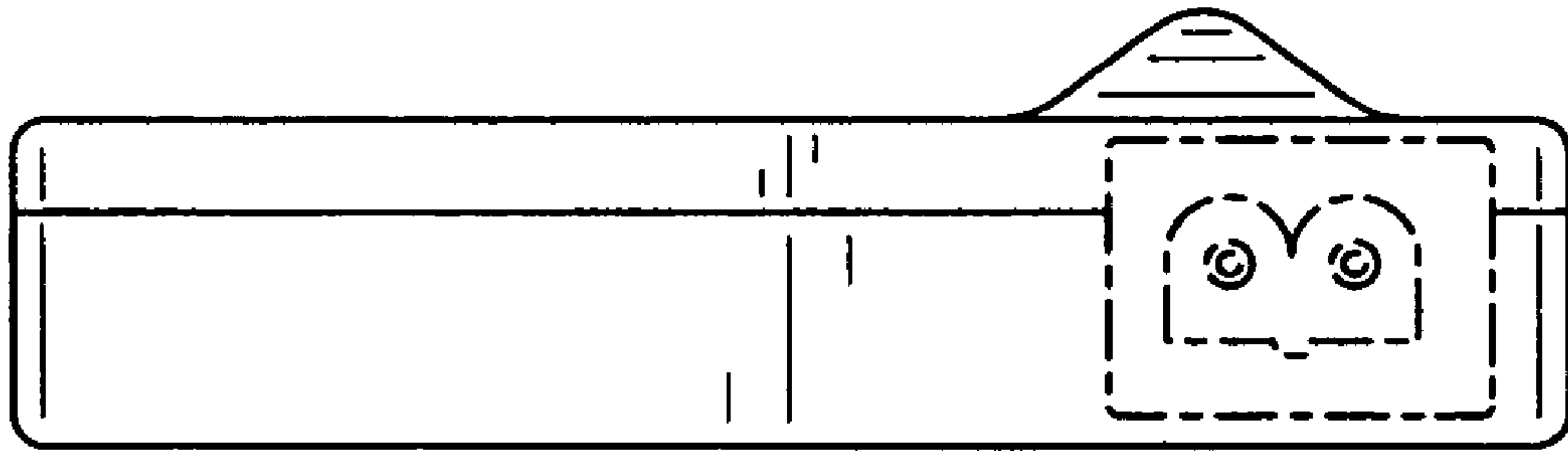


FIG. 4

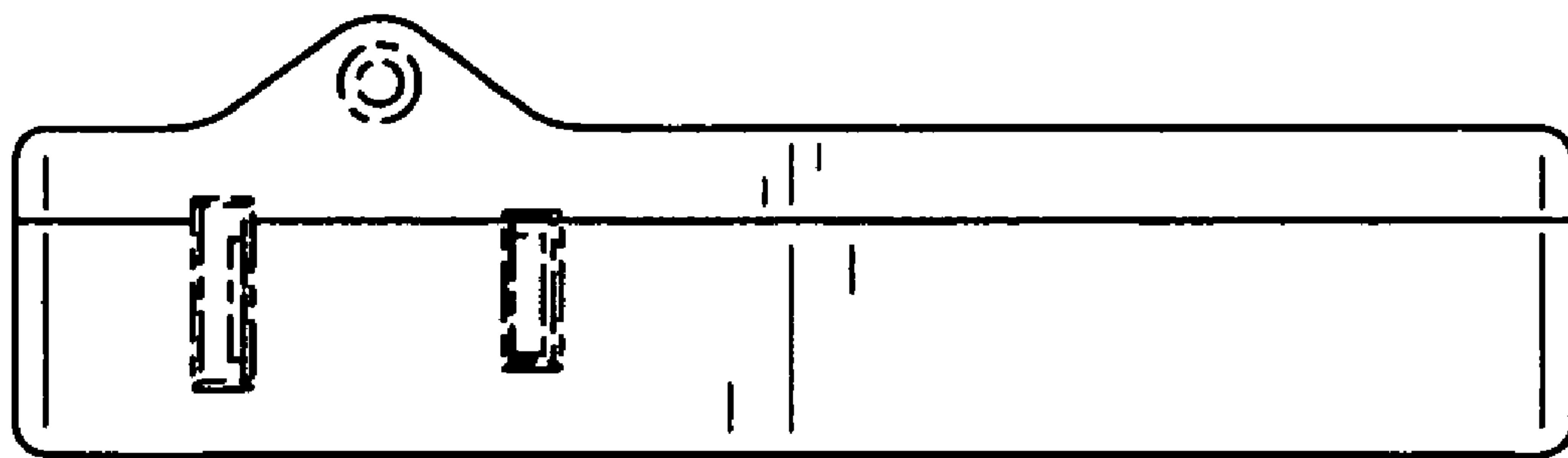


FIG. 5

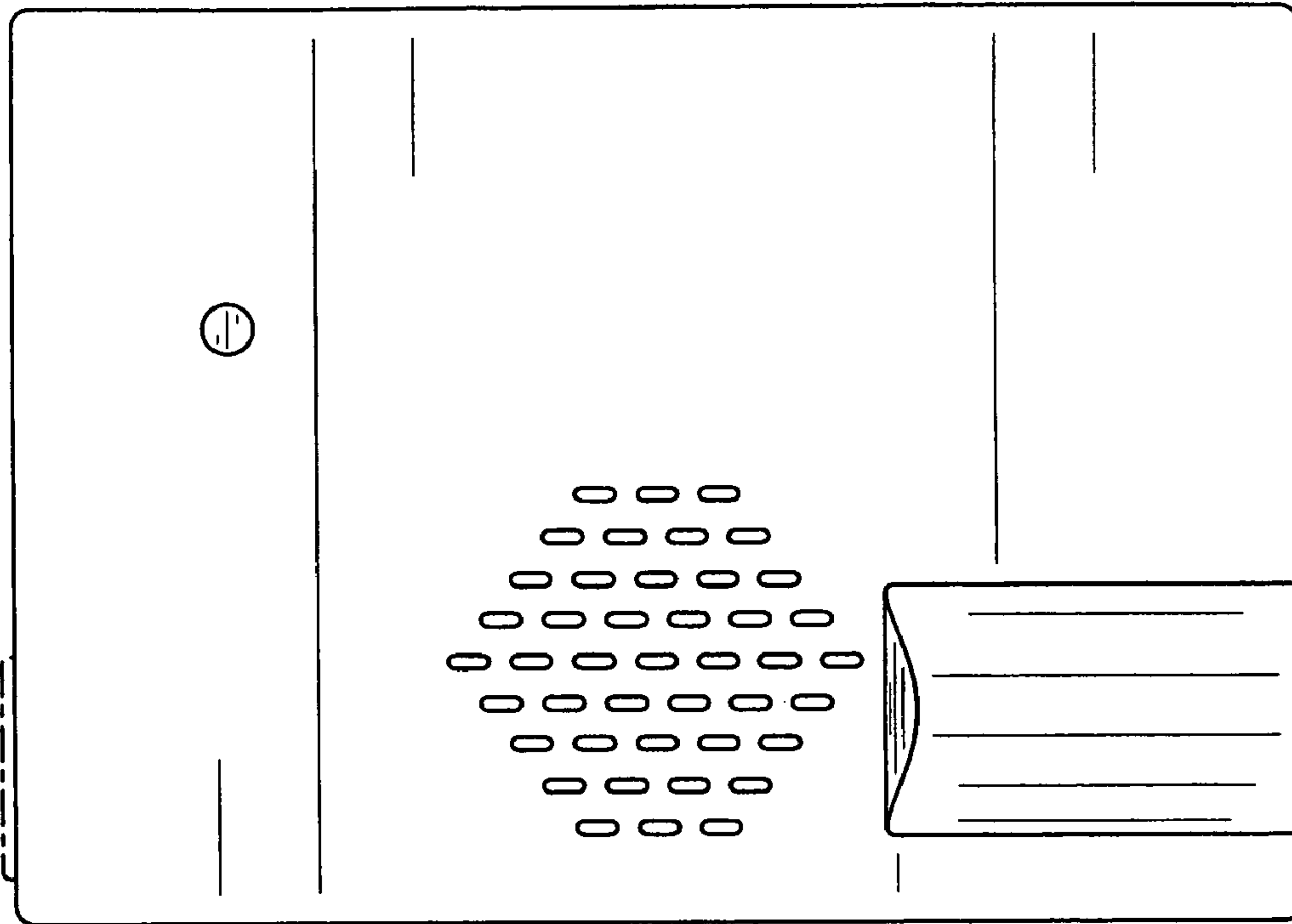


FIG. 6

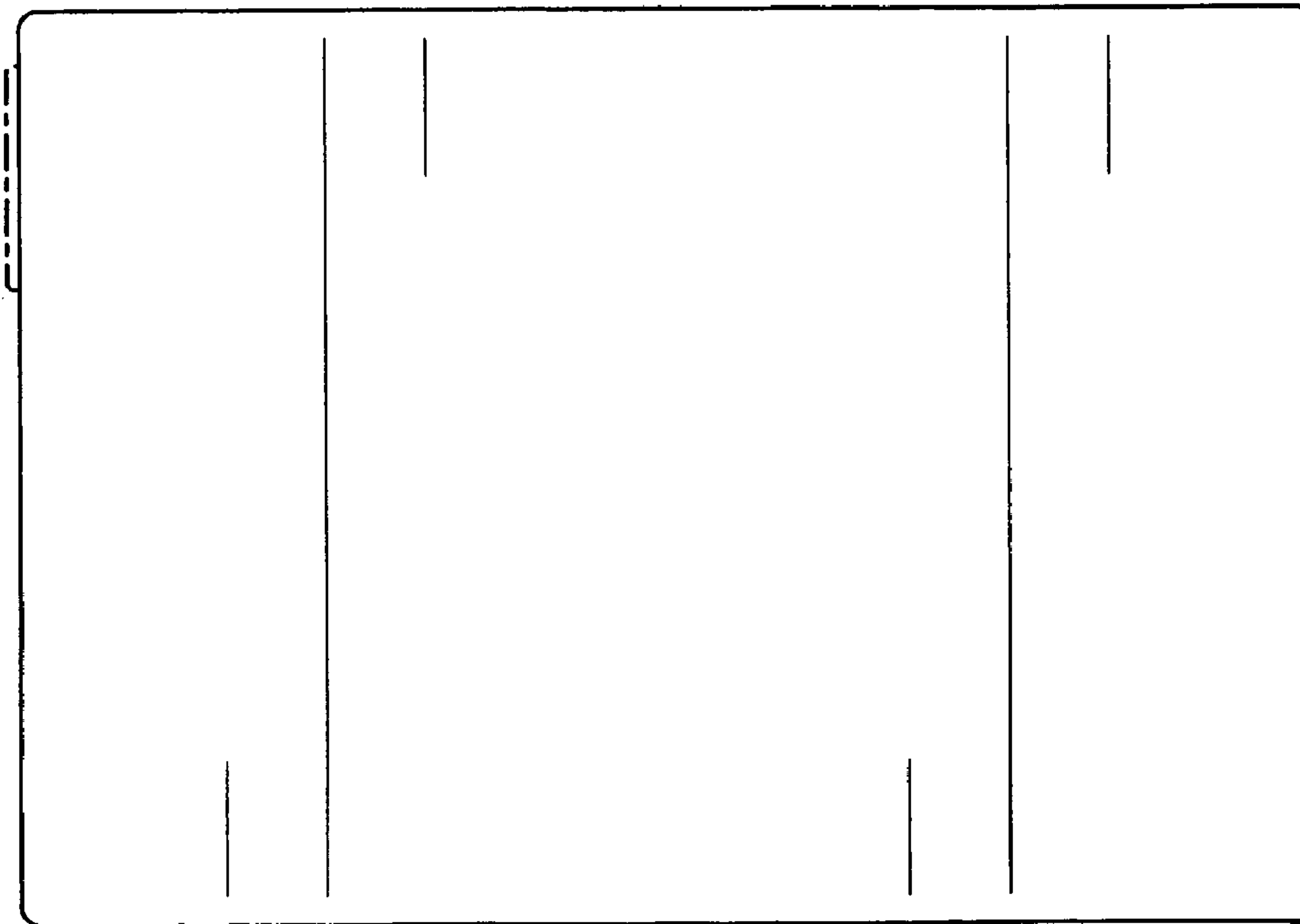


FIG. 7