

US00D548179S

(12) **United States Design Patent** (10) **Patent No.:** **US D548,179 S**  
**Vu** (45) **Date of Patent:** **\*\* Aug. 7, 2007**

(54) **CHARGER UNIT**

(75) Inventor: **Duy Phong Vu**, Frankfurt am Main (DE)

(73) Assignee: **Braun GmbH**, Kronberg (DE)

(\*\*) Term: **14 Years**

(21) Appl. No.: **29/269,601**

(22) Filed: **Oct. 20, 2006**

**Related U.S. Application Data**

(63) Continuation of application No. 29/241,590, filed on Oct. 28, 2005.

(30) **Foreign Application Priority Data**

Apr. 28, 2005 (DE) ..... 4 05 02 279

(51) **LOC (8) Cl.** ..... **13-02**

(52) **U.S. Cl.** ..... **D13/108**

(58) **Field of Classification Search** ..... D13/106-110, D13/118-119, 184; D14/251, 253, 432, D14/434; 320/107-115

See application file for complete search history.

(56) **References Cited**

**U.S. PATENT DOCUMENTS**

- D199,728 S \* 12/1964 Hall ..... D4/199
- D221,824 S \* 9/1971 Cook ..... D4/199
- D221,825 S \* 9/1971 Cook ..... D4/199
- D264,959 S \* 6/1982 Ota et al. .... D13/118
- D280,810 S \* 10/1985 Mitsui ..... D13/118
- D292,264 S \* 10/1987 Staufenberg et al. .... D8/380
- D334,170 S \* 3/1993 Rams et al. .... D13/106
- D353,490 S 12/1994 Hartwein
- D357,990 S \* 5/1995 Cheng et al. .... D26/38

- D386,176 S \* 11/1997 Diamantis et al. .... D14/149
- D394,241 S \* 5/1998 Wachter et al. .... D13/110
- D394,424 S \* 5/1998 Wachter ..... D13/110
- D486,787 S \* 2/2004 Krieger et al. .... D13/108
- D516,022 S 2/2006 Winkler
- D524,730 S 7/2006 Vu
- D525,583 S 7/2006 Vu
- 2003/0085687 A1 \* 5/2003 Stratmann et al. .... 320/114

**OTHER PUBLICATIONS**

WIPO DM/055985, Oct. 05, 2001, Peter Hartwein.  
WIPO DM/051589, Jun. 10, 1999, Peter Hartwein.

\* cited by examiner

*Primary Examiner*—Alan P. Douglas

*Assistant Examiner*—Rosemary K. Tarcza

(74) *Attorney, Agent, or Firm*—George H. Leal

(57) **CLAIM**

The ornamental design for a charger unit, as shown and described.

**DESCRIPTION**

FIG. 1 is perspective view of a charger unit from the top, front and right side, showing my new design;

FIG. 2 is a left side view thereof;

FIG. 3 is a right side view thereof;

FIG. 4 is a front view thereof;

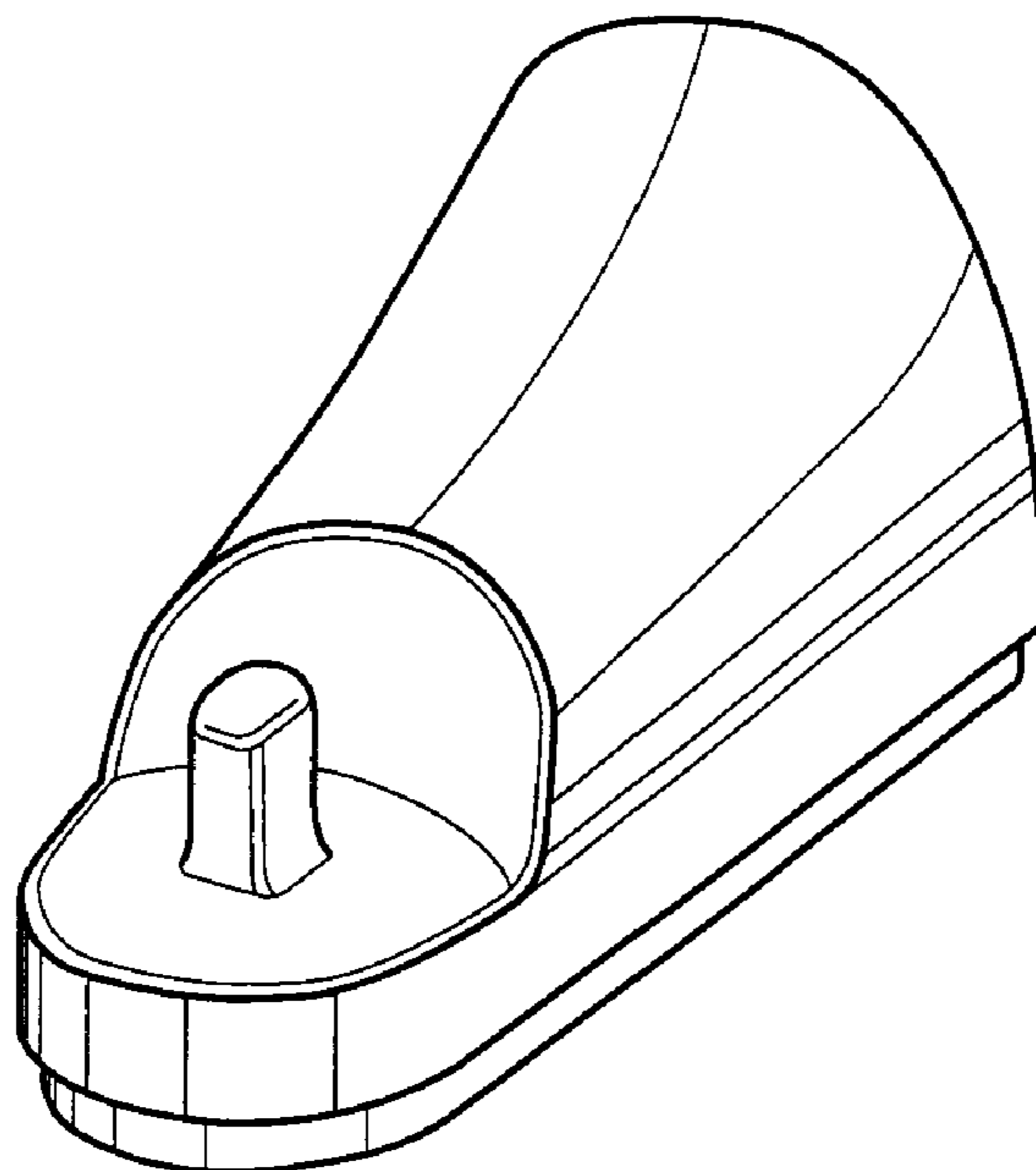
FIG. 5 is a rear view thereof;

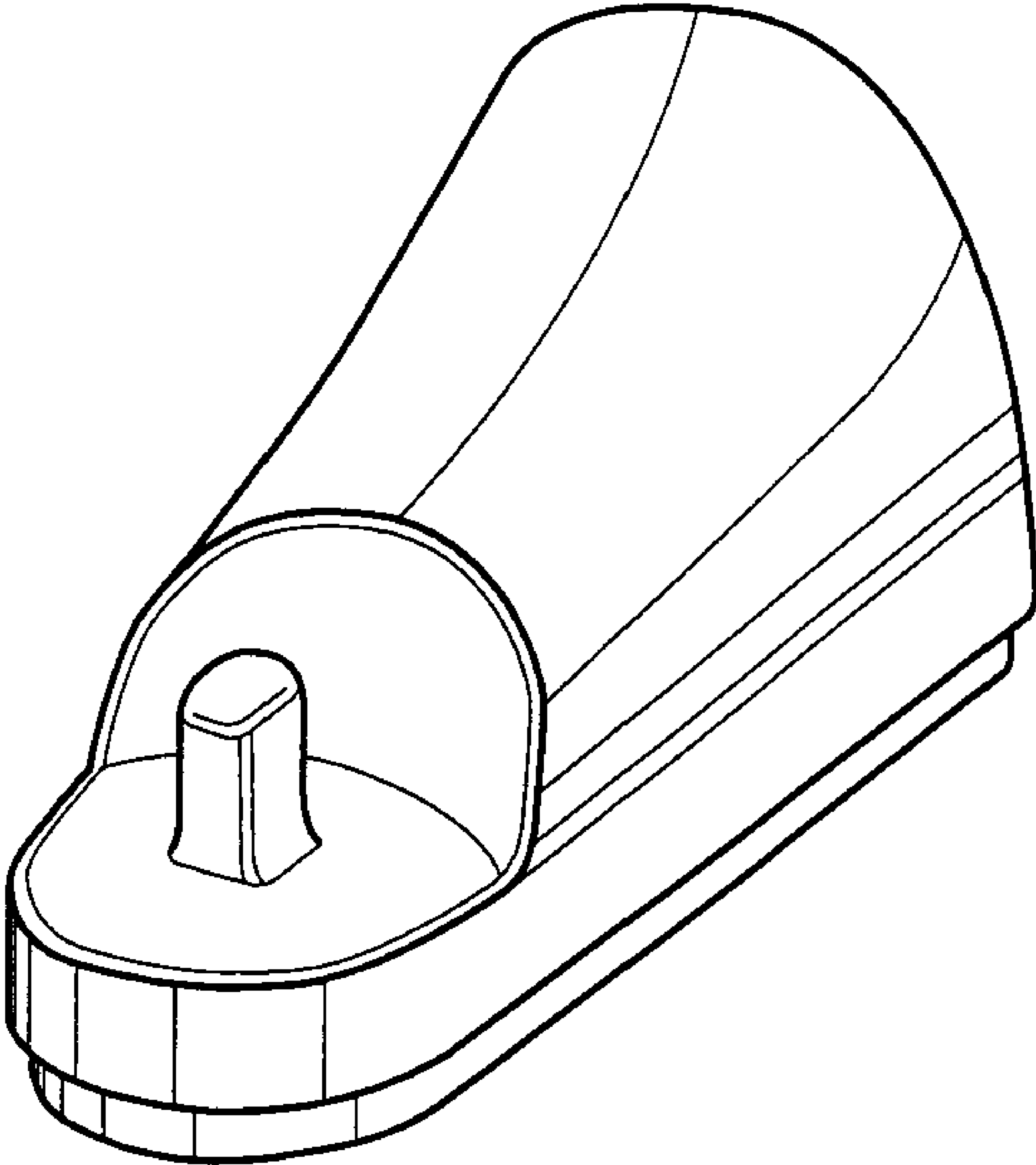
FIG. 6 is a top plan view thereof; and,

FIG. 7 is a bottom plan view thereof.

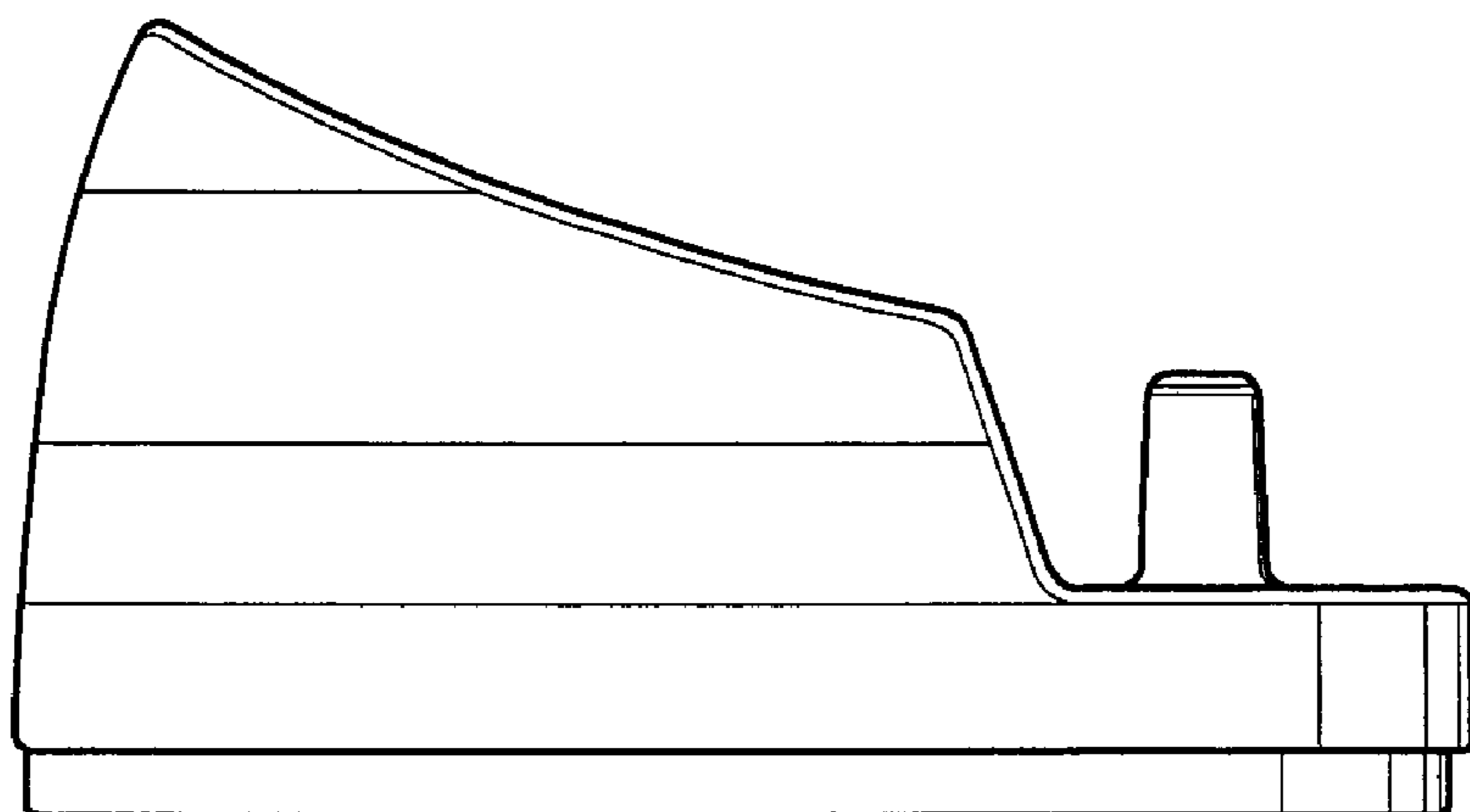
The broken line showing is included for the purpose of illustrating unclaimed features and forms no part of the claimed design.

**1 Claim, 4 Drawing Sheets**

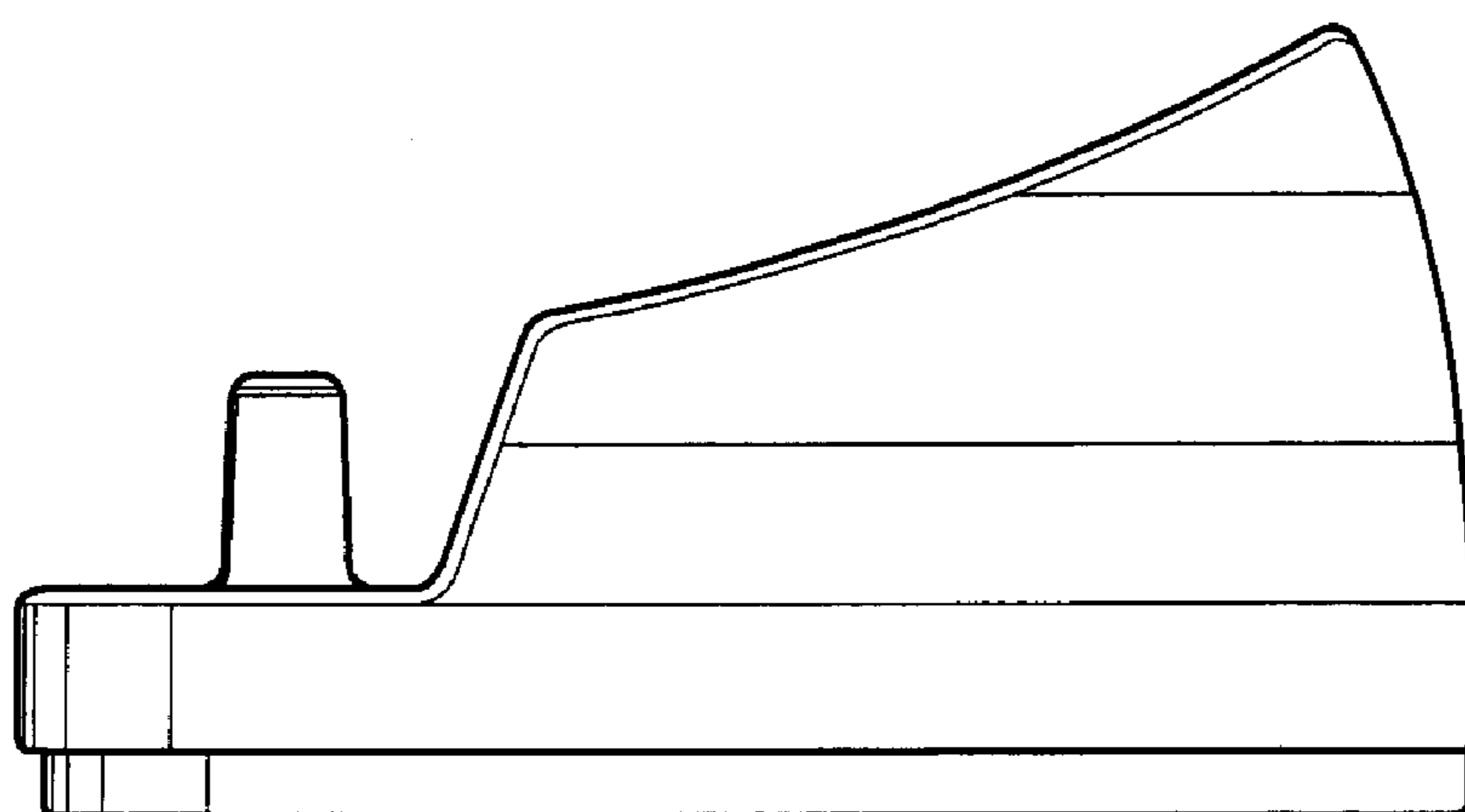




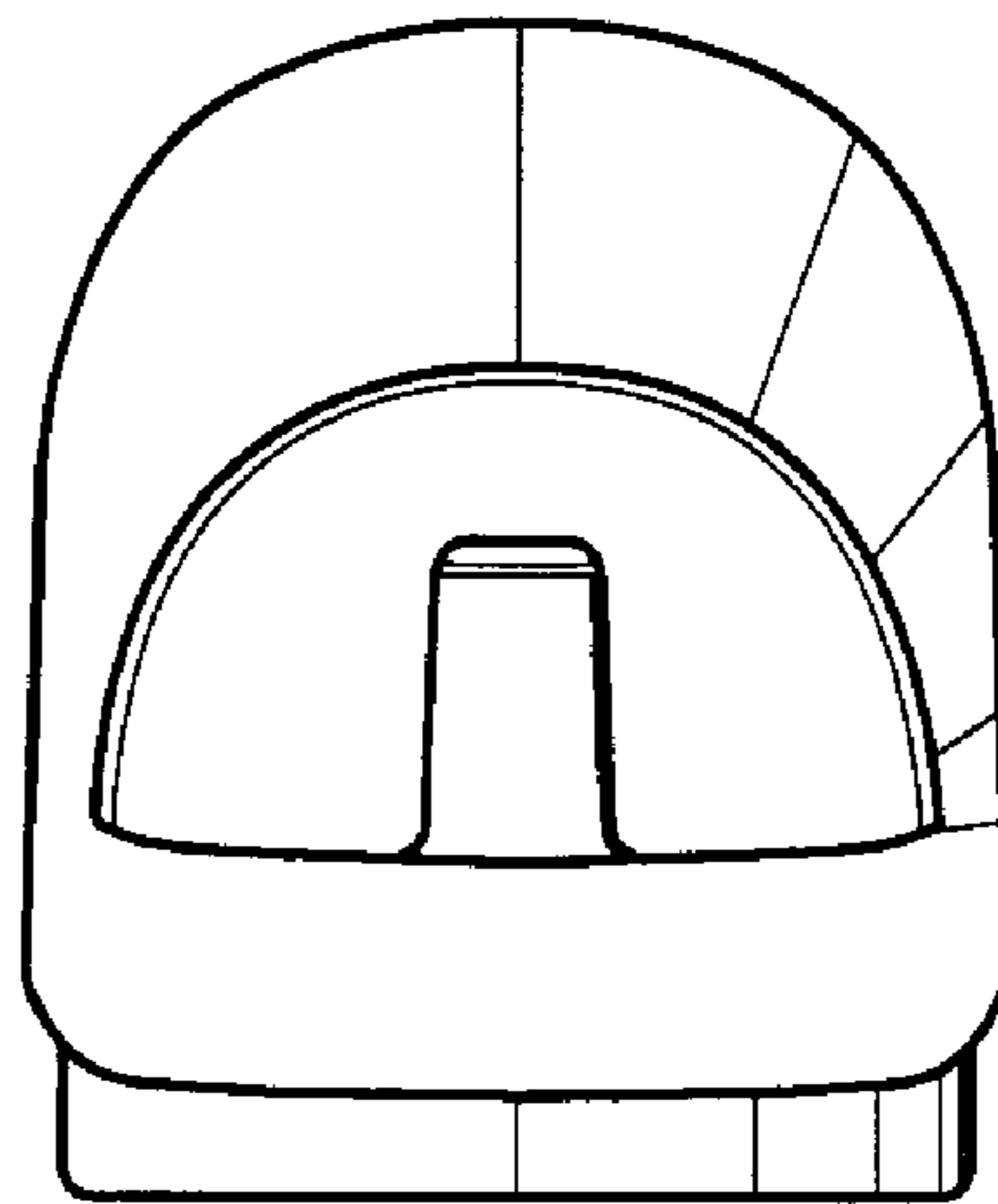
*Fig. 1*



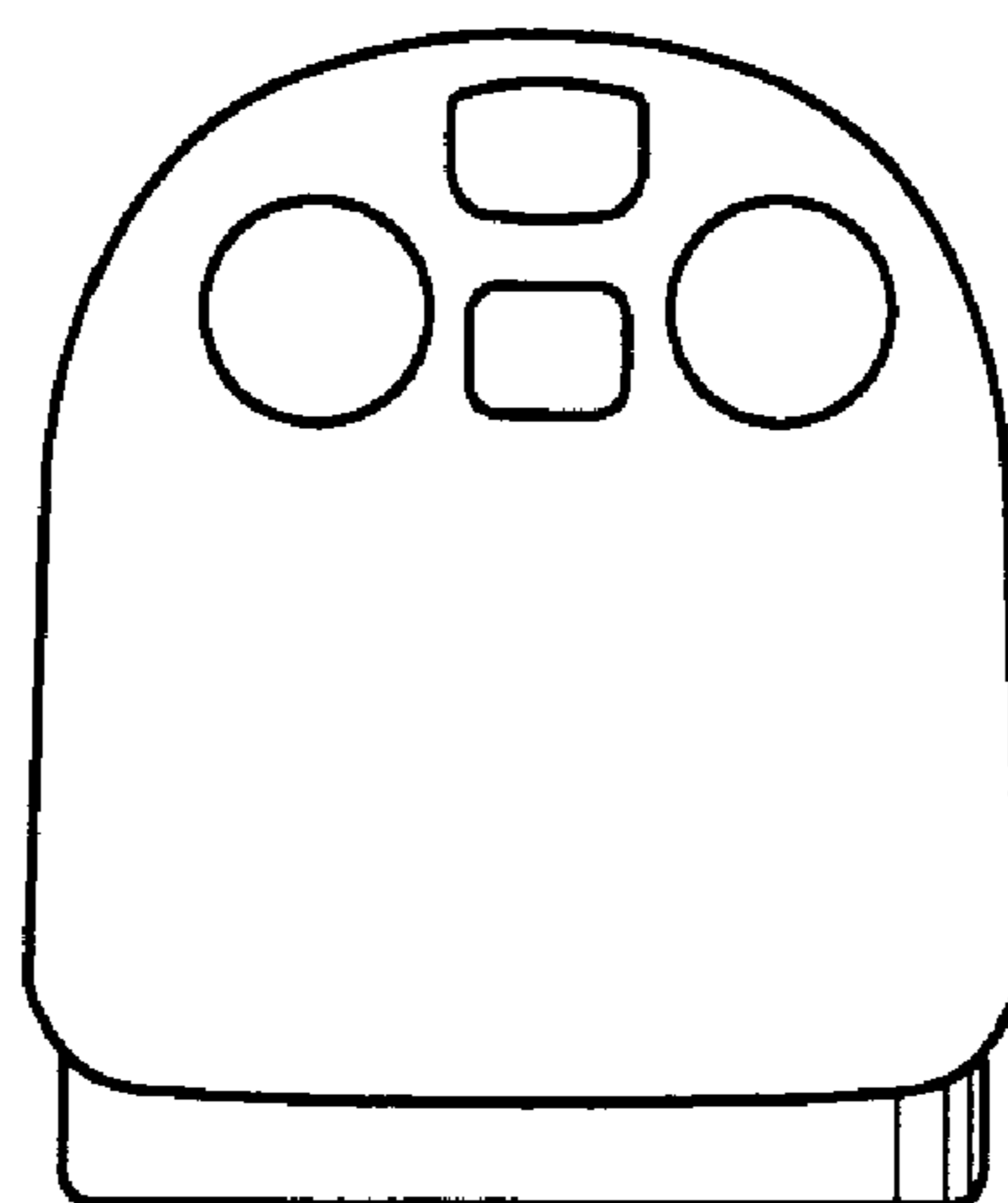
*Fig. 2*



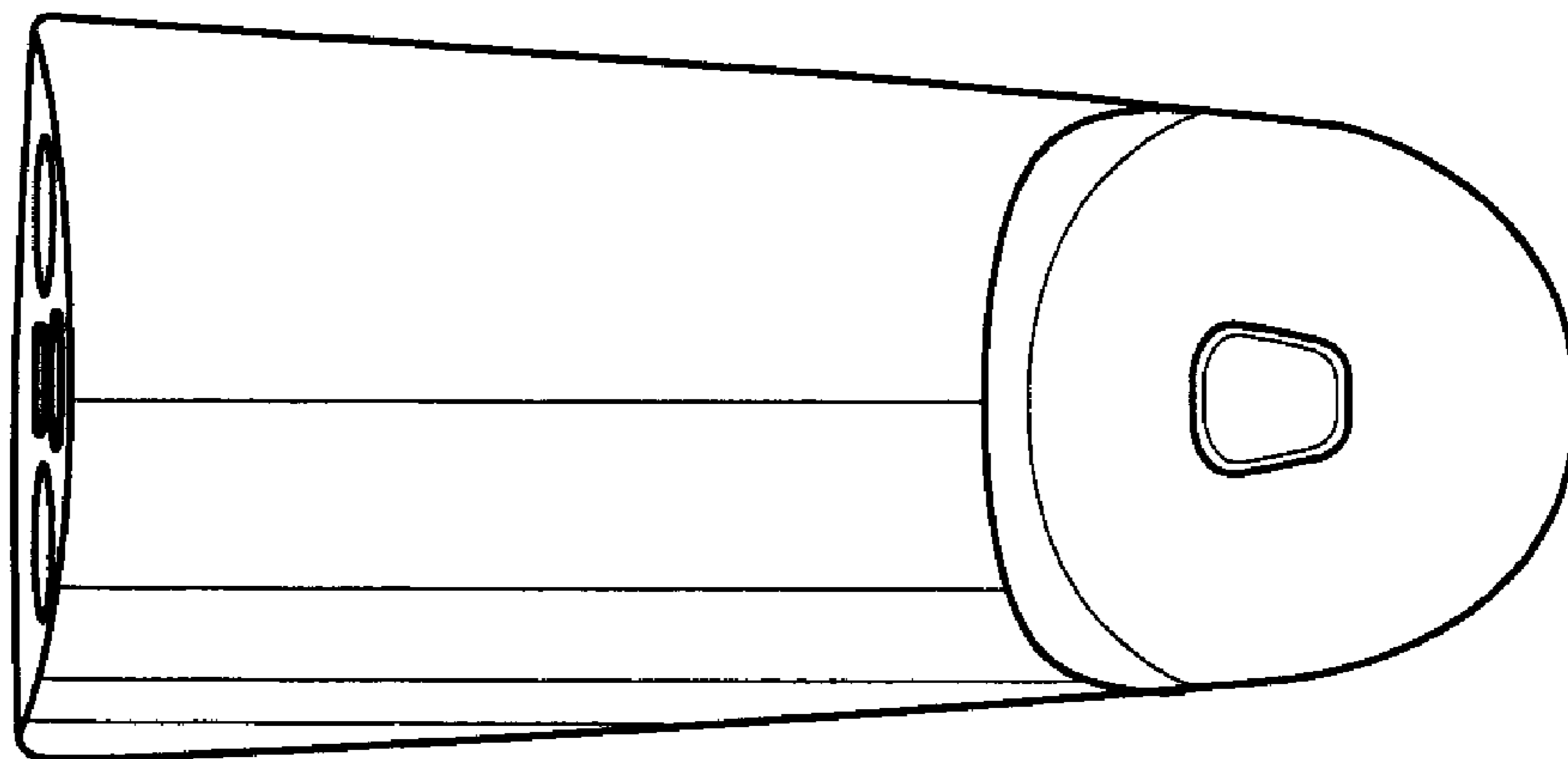
*Fig. 3*



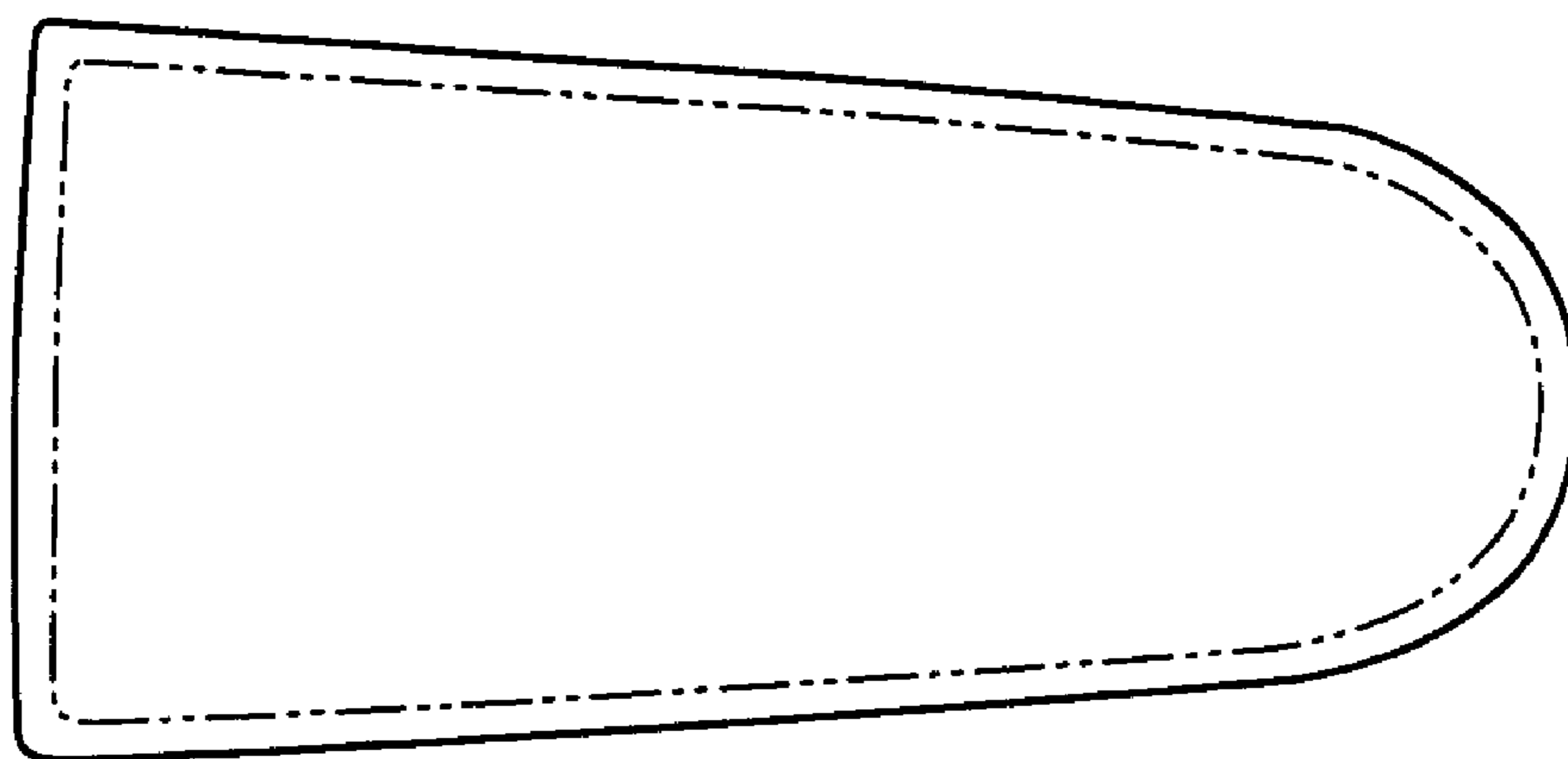
*Fig. 4*



*Fig. 5*



*Fig. 6*



*Fig. 7*