

US00D548177S

(12) **United States Design Patent**  
**Okuda**

(10) **Patent No.:** **US D548,177 S**

(45) **Date of Patent:** **\*\* Aug. 7, 2007**

(54) **BATTERY CHARGER**

(75) Inventor: **Shinsuke Okuda**, Anjo (JP)

(73) Assignee: **Makita Corporation**, Anjo-shi (JP)

(\*\*) Term: **14 Years**

(21) Appl. No.: **29/263,208**

(22) Filed: **Jul. 19, 2006**

(30) **Foreign Application Priority Data**

Mar. 23, 2006 (JP) ..... 2006-007141

(51) **LOC (8) Cl.** ..... **13-02**

(52) **U.S. Cl.** ..... **D13/107**

(58) **Field of Classification Search** ..... D13/107-110,  
D13/118-119, 184; D14/251, 253, 432,  
D14/434; 320/107-115

See application file for complete search history.

(56) **References Cited**

**U.S. PATENT DOCUMENTS**

D276,149 S *	10/1984	Eckmann et al. ....	D13/107
D313,004 S *	12/1990	Hasegawa et al. ....	D13/108
D321,337 S *	11/1991	Sakamoto et al. ....	D13/108
D327,669 S *	7/1992	Sakamoto et al. ....	D13/108
D386,176 S *	11/1997	Diamantis et al. ....	D14/149
D400,164 S *	10/1998	Lindahl ..... ..	D13/108
D400,499 S *	11/1998	Bunyea ..... ..	D13/107
D404,006 S *	1/1999	Clowers et al. ....	D13/107
D429,211 S *	8/2000	Ohi et al. .... ..	D13/107

D446,184 S *	8/2001	Parker ..... ..	D13/107
D506,436 S *	6/2005	Cheung et al. ....	D13/107
D515,502 S *	2/2006	Wen ..... ..	D13/108

**OTHER PUBLICATIONS**

Official gazette of U.S. Design Pat. No. D302,808 issued on Aug. 15, 1989.

\* cited by examiner

*Primary Examiner*—Alan P. Douglas

*Assistant Examiner*—Rosemary K. Tarcza

(74) *Attorney, Agent, or Firm*—Oliff & Berridge, PLC

(57) **CLAIM**

The ornamental design for a battery charger, as shown and described.

**DESCRIPTION**

FIG. 1 is a perspective view of top, front and left side of a battery charger showing my new design;

FIG. 2 is a perspective view of top, rear and right side thereof;

FIG. 3 is a front view thereof;

FIG. 4 is a rear view thereof;

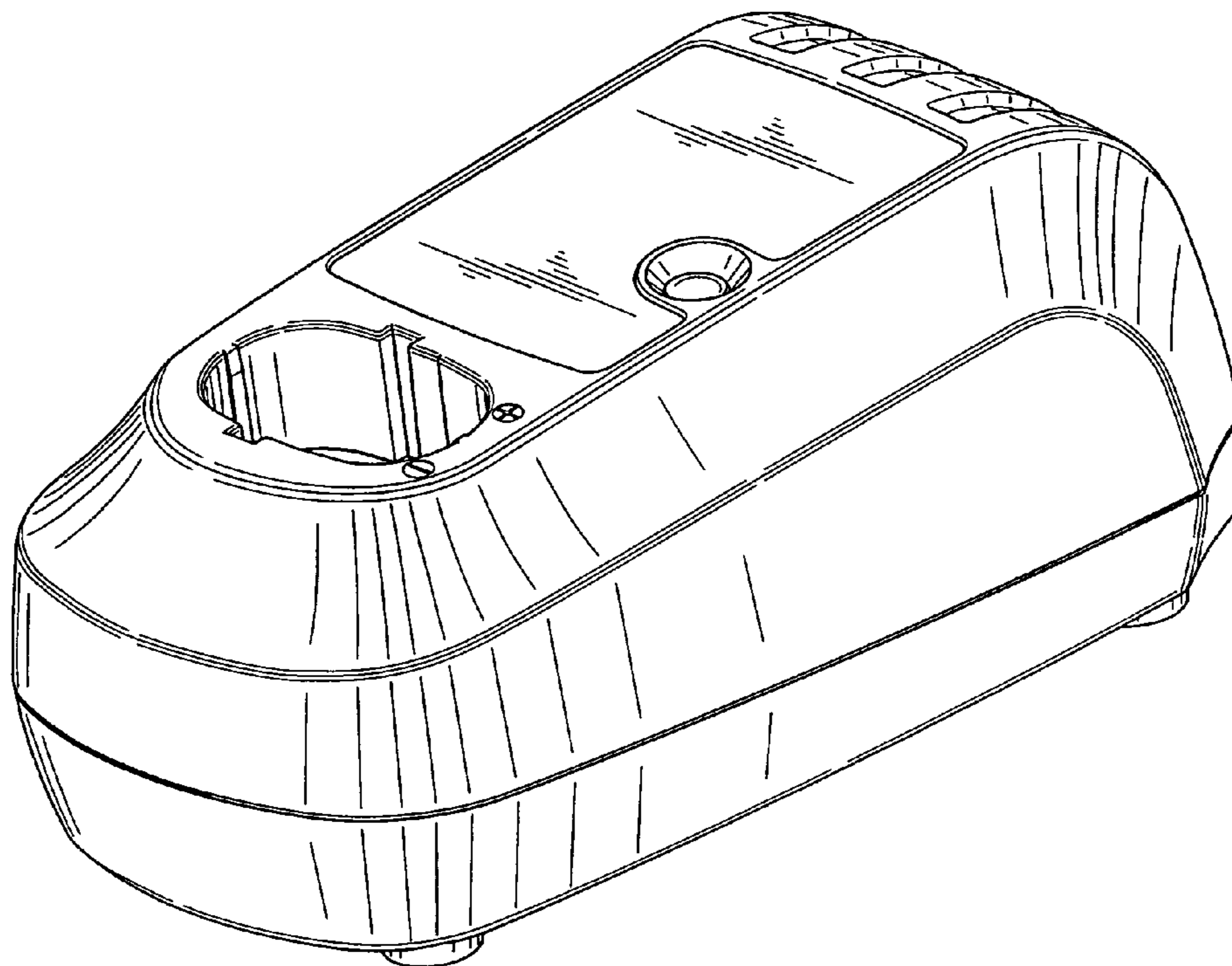
FIG. 5 is a left side view thereof;

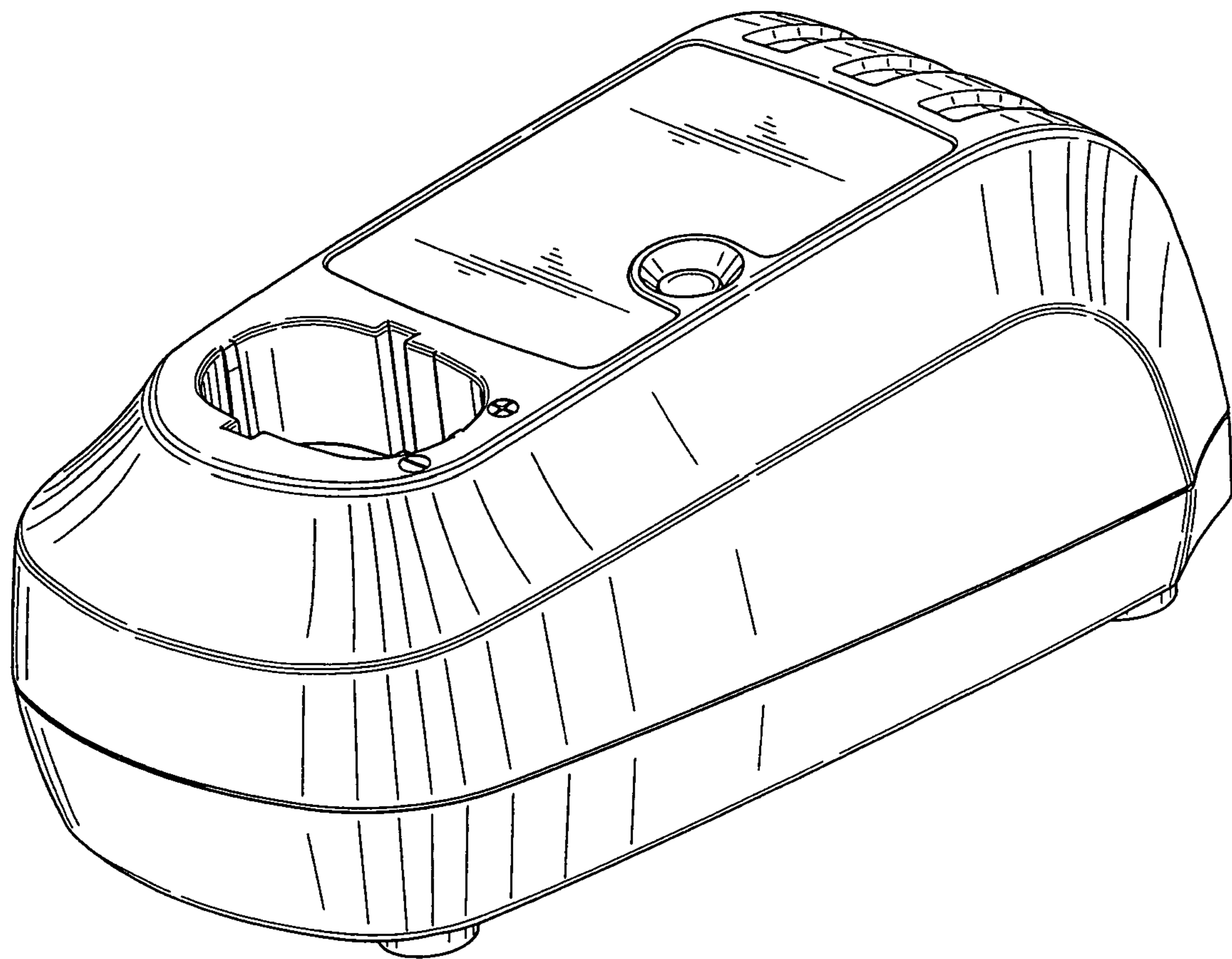
FIG. 6 is a right side view thereof;

FIG. 7 is a top plan view thereof; and,

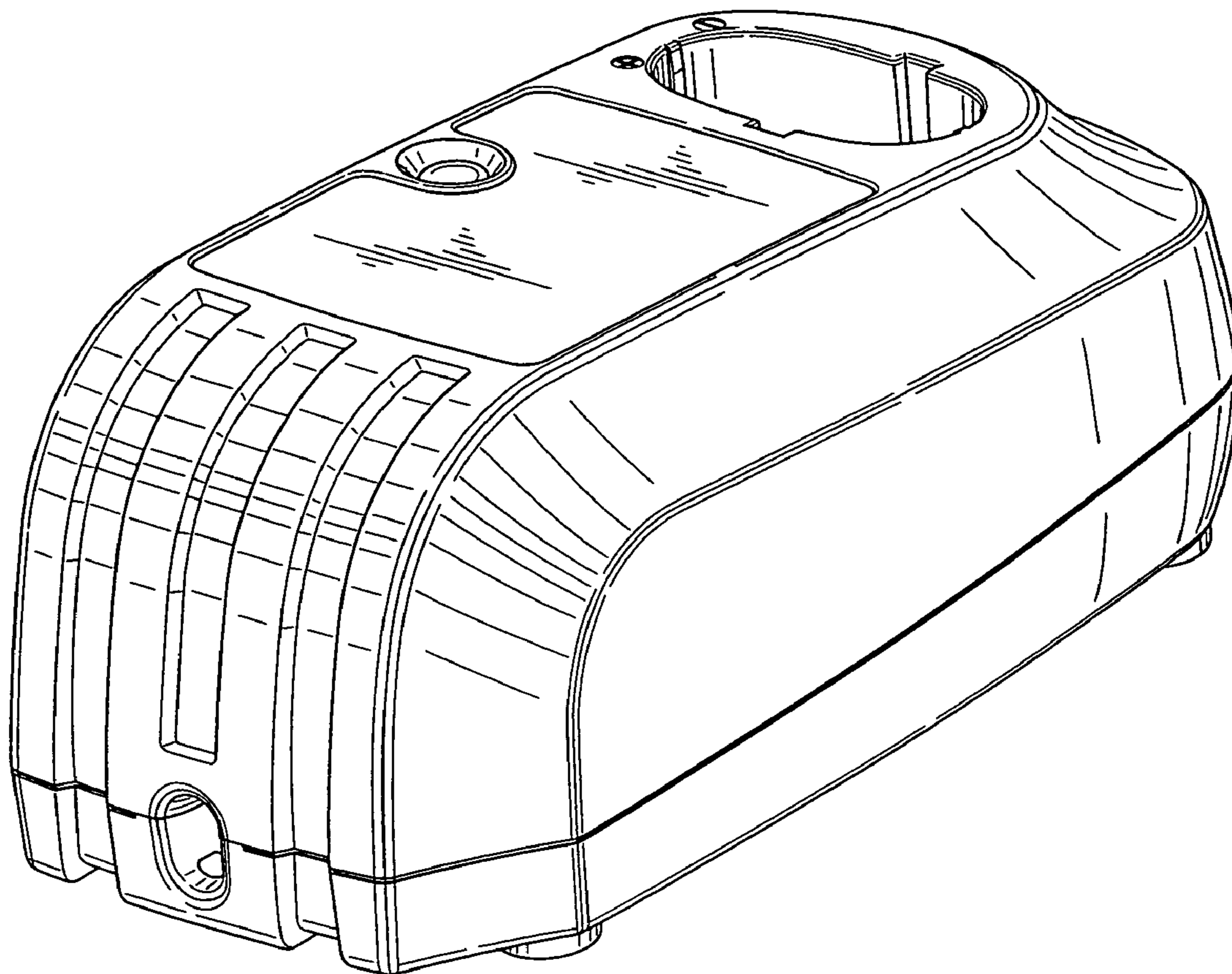
FIG. 8 is a bottom view thereof.

**1 Claim, 5 Drawing Sheets**





*FIG. 1*



*FIG. 2*

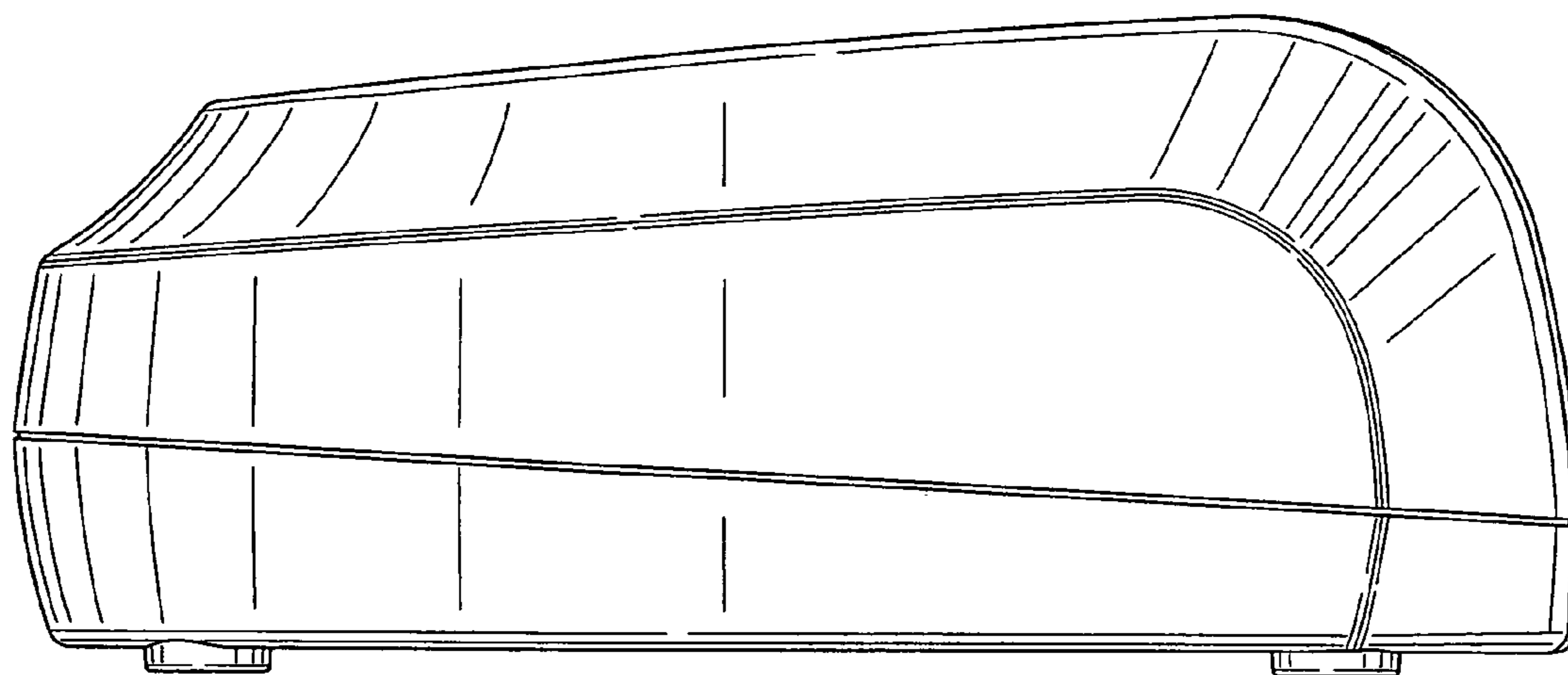


FIG. 3

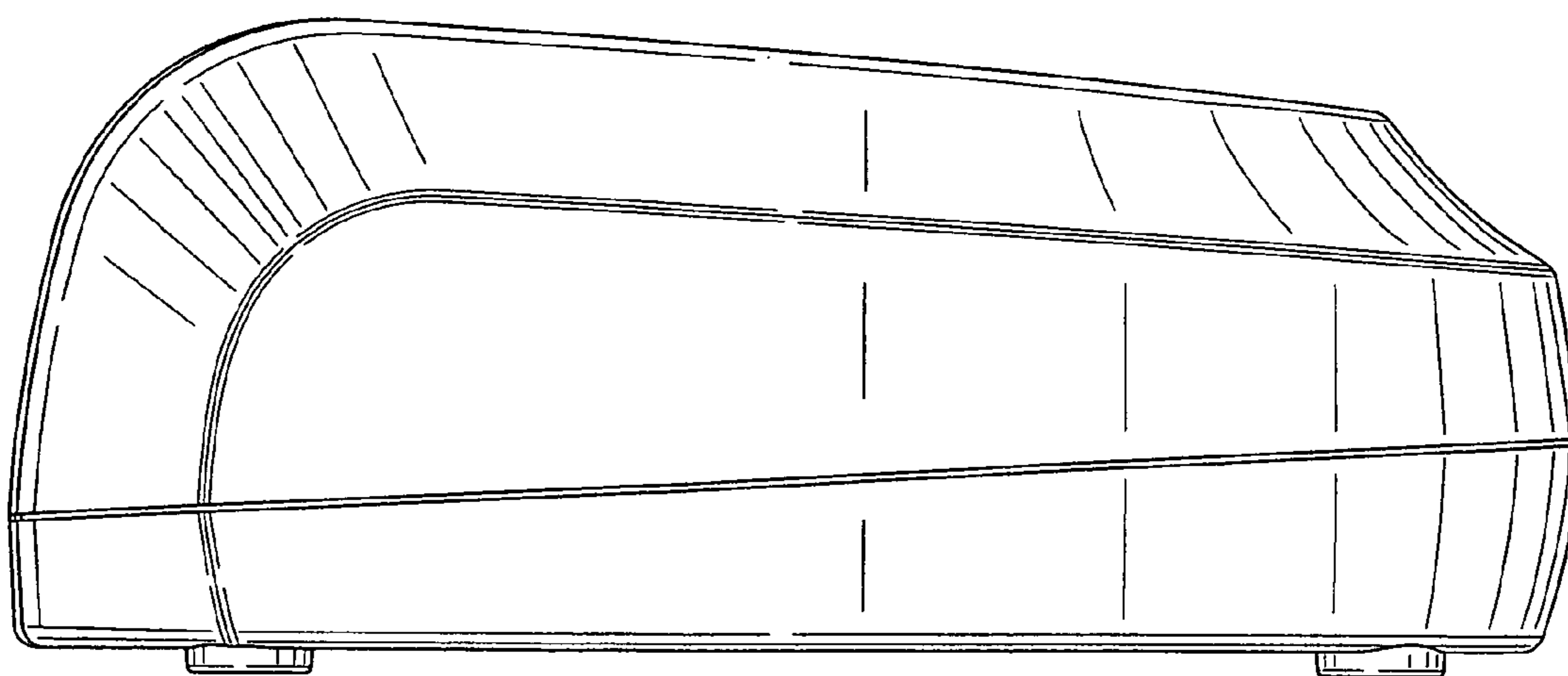
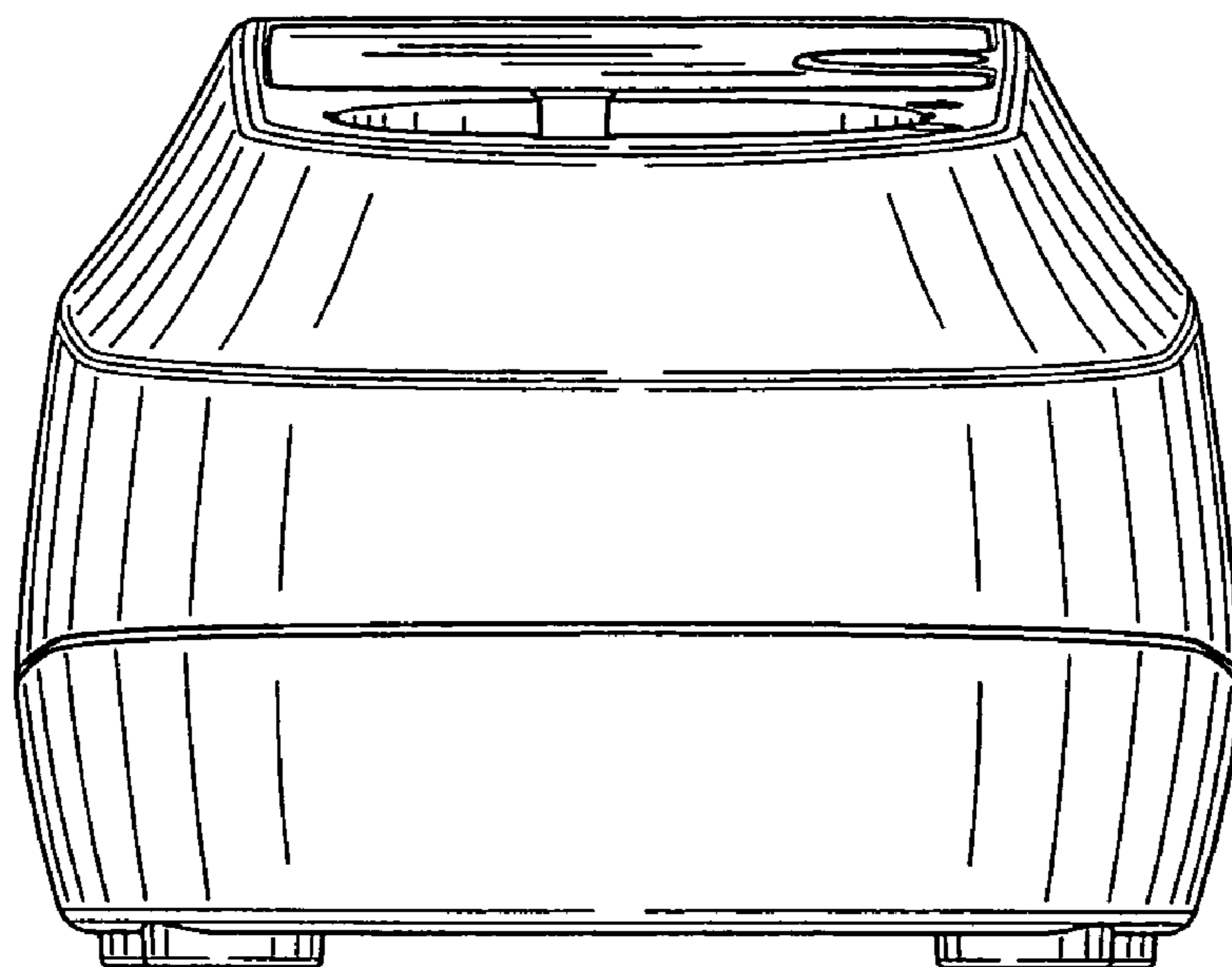
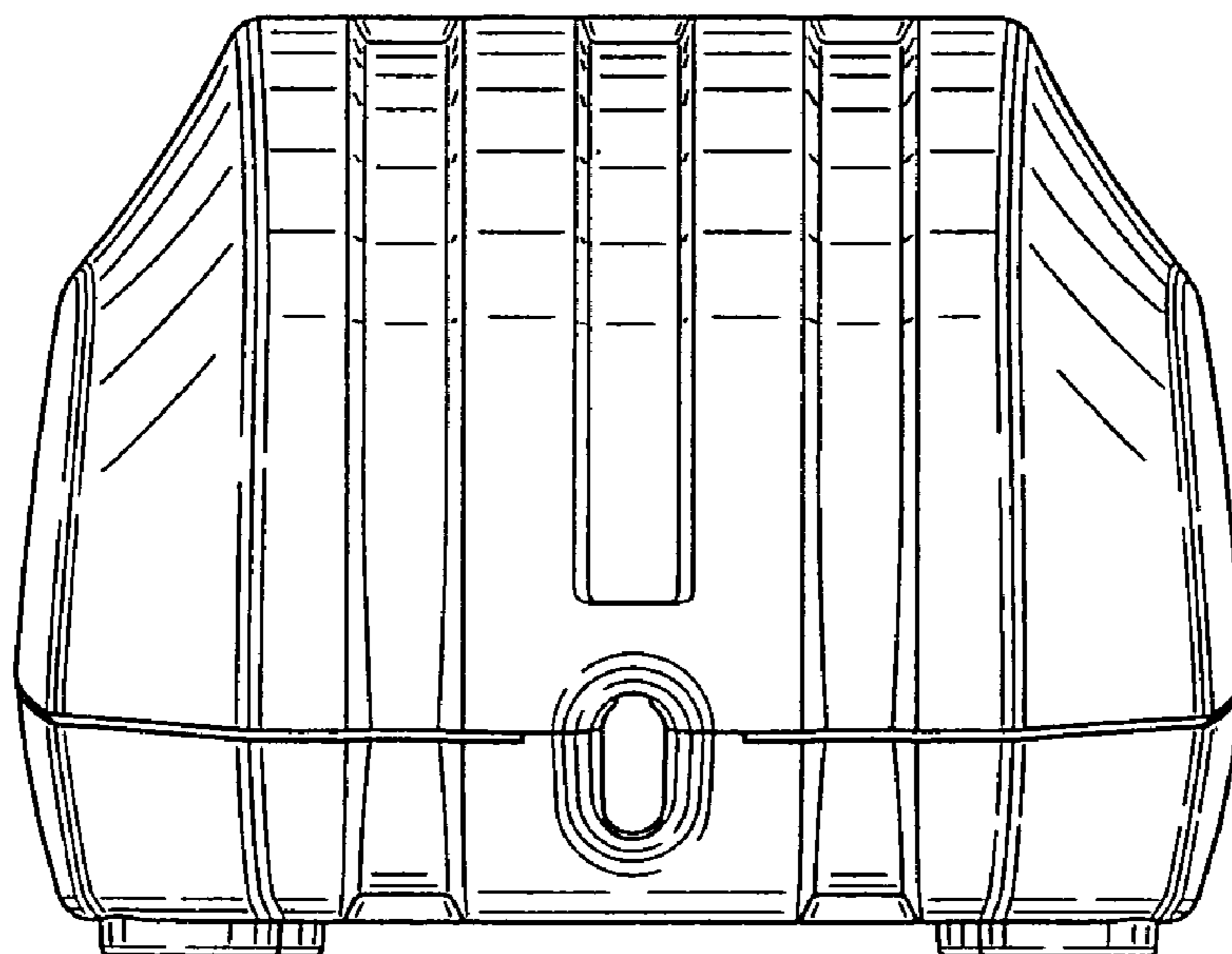


FIG. 4



*FIG. 5*



*FIG. 6*

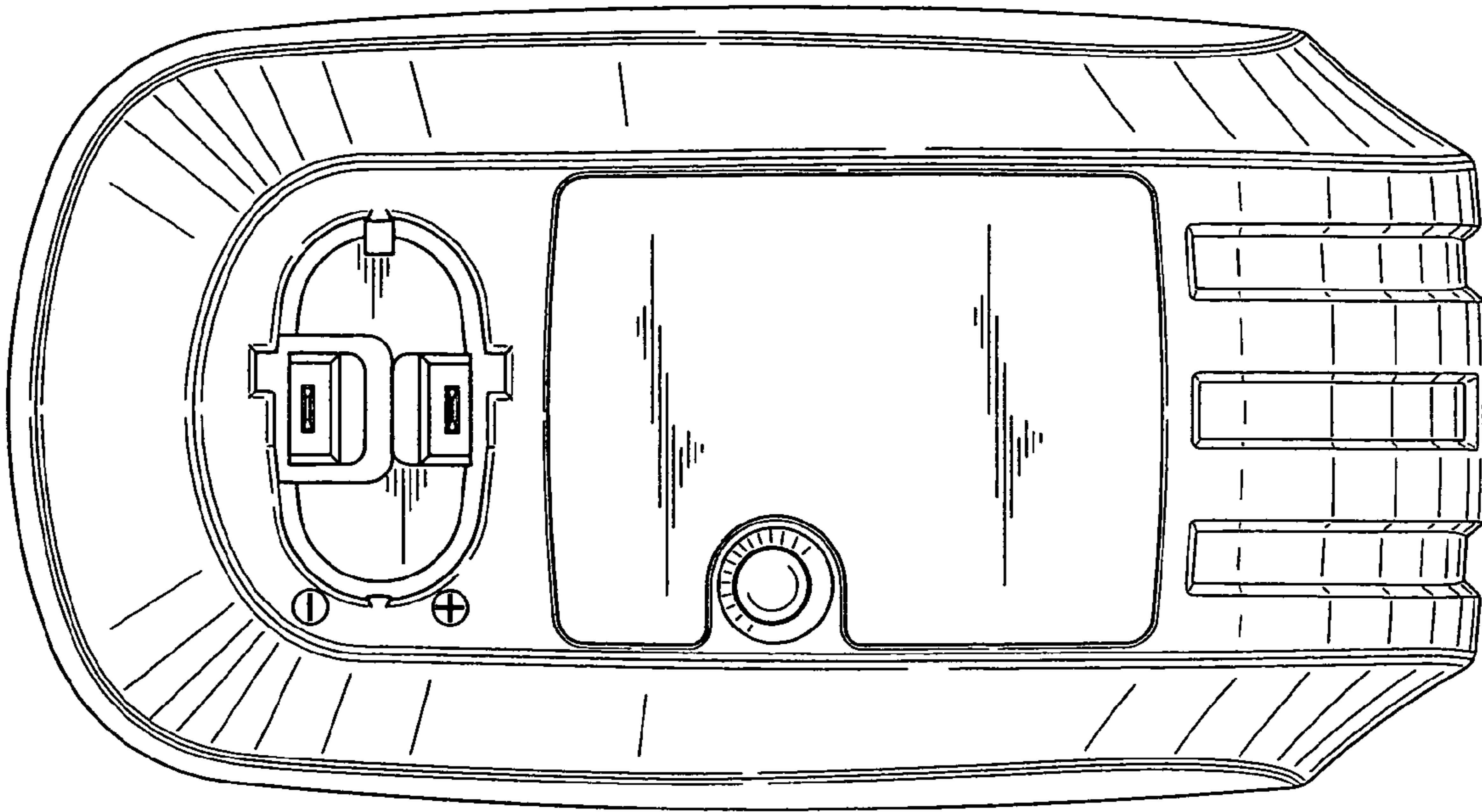


FIG. 7

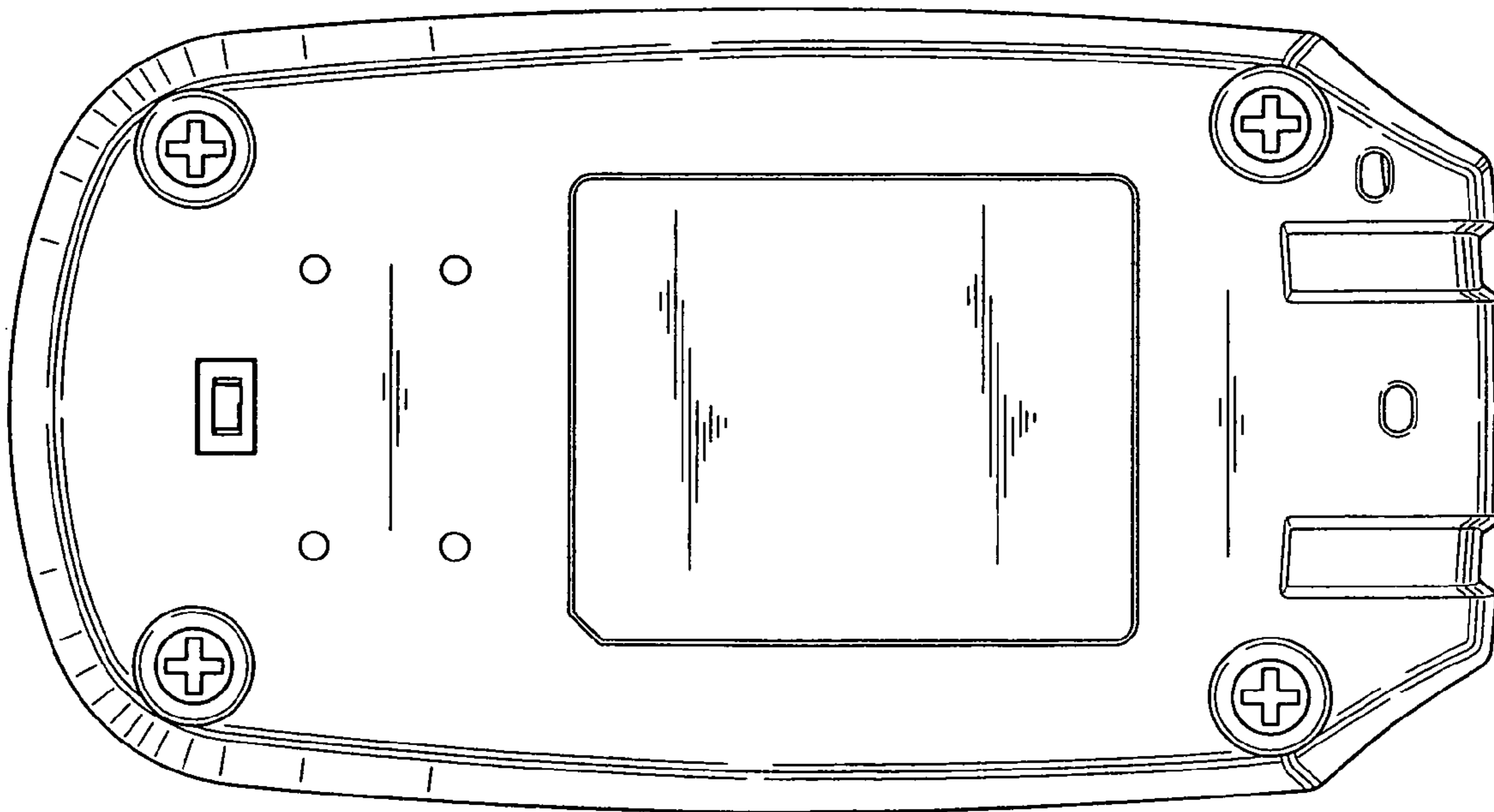


FIG. 8