

US00D548170S

(12) **United States Design Patent**
Ezra

(10) **Patent No.:** **US D548,170 S**

(45) **Date of Patent:** **** Aug. 7, 2007**

(54) **ATV OR GO-CART CARRIER WITH RAMP**

(76) **Inventor:** **Leslie Paul Ezra**, 9341 S. St. Rd. 39,
Winamac, IN (US) 46996

(**) **Term:** **14 Years**

(21) **Appl. No.:** **29/273,812**

(22) **Filed:** **Mar. 15, 2007**

(51) **LOC (8) Cl.** **12-11**

(52) **U.S. Cl.** **D12/408**

(58) **Field of Classification Search** D12/406-408,
D12/115, 120, 110, 107, 412; 211/5, 17-22;
224/400, 401, 412-425, 488, 489, 495, 924,
224/324-326, 500-535, 405, 537; 414/462;
280/202, 304.5, 288.4, 292; D34/28, 32,
D34/35

See application file for complete search history.

(56) **References Cited**

U.S. PATENT DOCUMENTS

1,528,934 A	3/1925	Momahon	
3,567,052 A	3/1971	Millard	
3,724,694 A *	4/1973	Wilson	414/462
3,731,830 A *	5/1973	Long	414/462
3,912,139 A	10/1975	Bowman	
4,234,284 A *	11/1980	Hauff	414/462
4,275,981 A	6/1981	Bruhn	
4,349,138 A *	9/1982	Bruhn	224/443
D291,619 S	8/1987	Guillory	
4,744,590 A	5/1988	Chesney	
4,813,584 A	3/1989	Wiley	
D306,992 S *	4/1990	Morehouse	D12/408

D393,241 S *	4/1998	Diotte	D12/408
D398,129 S	9/1998	Sacks	
D430,377 S *	8/2000	Collins	D34/32
6,390,343 B1 *	5/2002	Jain	224/524
D458,579 S *	6/2002	Adams et al.	D12/406

* cited by examiner

Primary Examiner—Alan P. Douglas
Assistant Examiner—Linda Brooks

(57) **CLAIM**

The ornamental design for an ATV or go-cart carrier with ramp, as shown.

DESCRIPTION

FIG. 1 is a front perspective view of the ATV or go-cart carrier with ramp.

FIG. 2 is a front elevation view of the ATV or go-cart carrier with ramp.

FIG. 3 is a rear elevation view of the ATV or go-cart carrier with ramp.

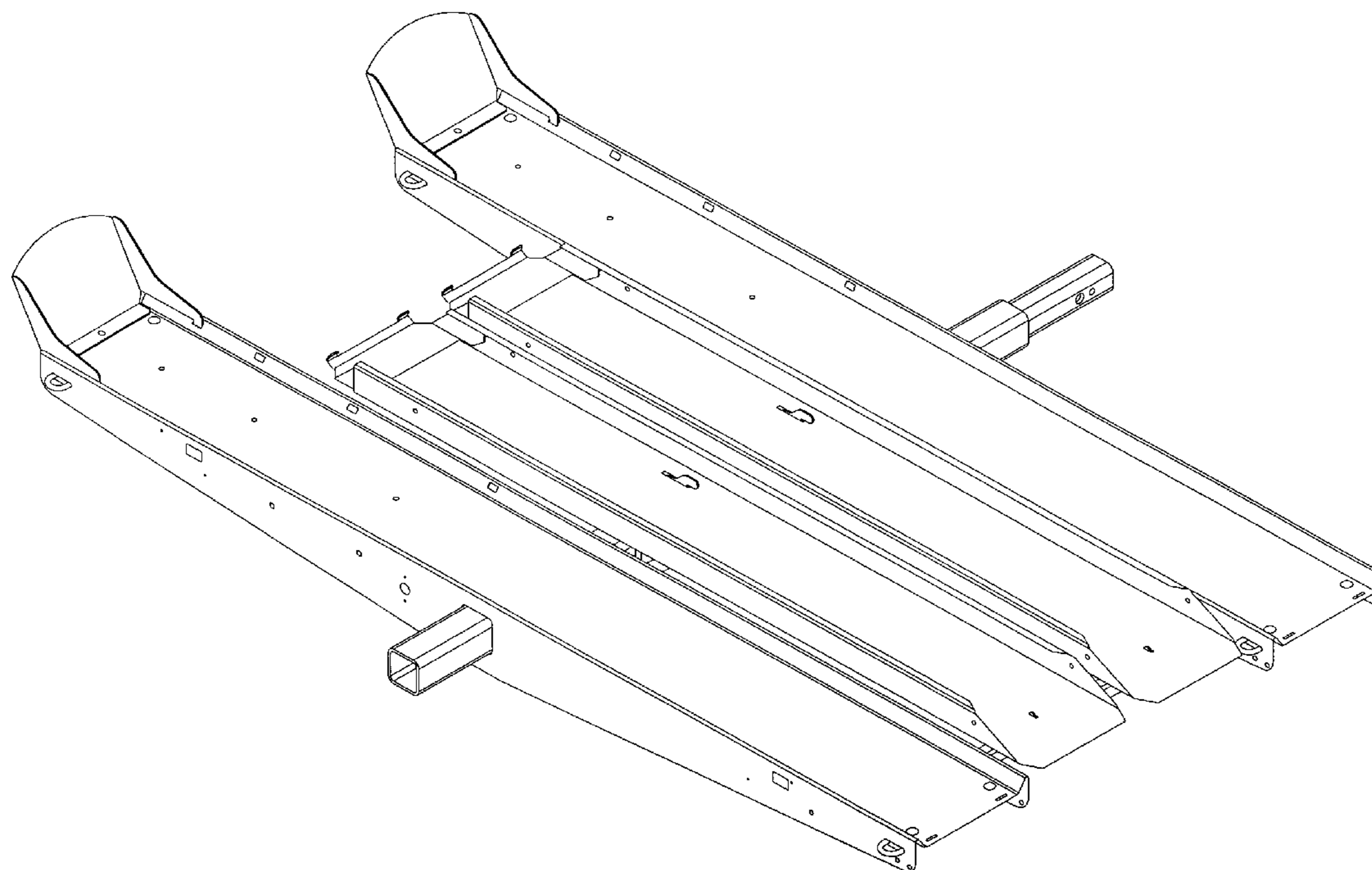
FIG. 4 is a top plan view of the ATV or go-cart carrier with ramp.

FIG. 5 is a bottom plan view of the ATV or go-cart carrier with ramp.

FIG. 6 is a left side elevation view of the ATV or go-cart carrier with ramp; and,

FIG. 7 is a right side elevation view of the ATV or go-cart carrier with ramp.

1 Claim, 7 Drawing Sheets



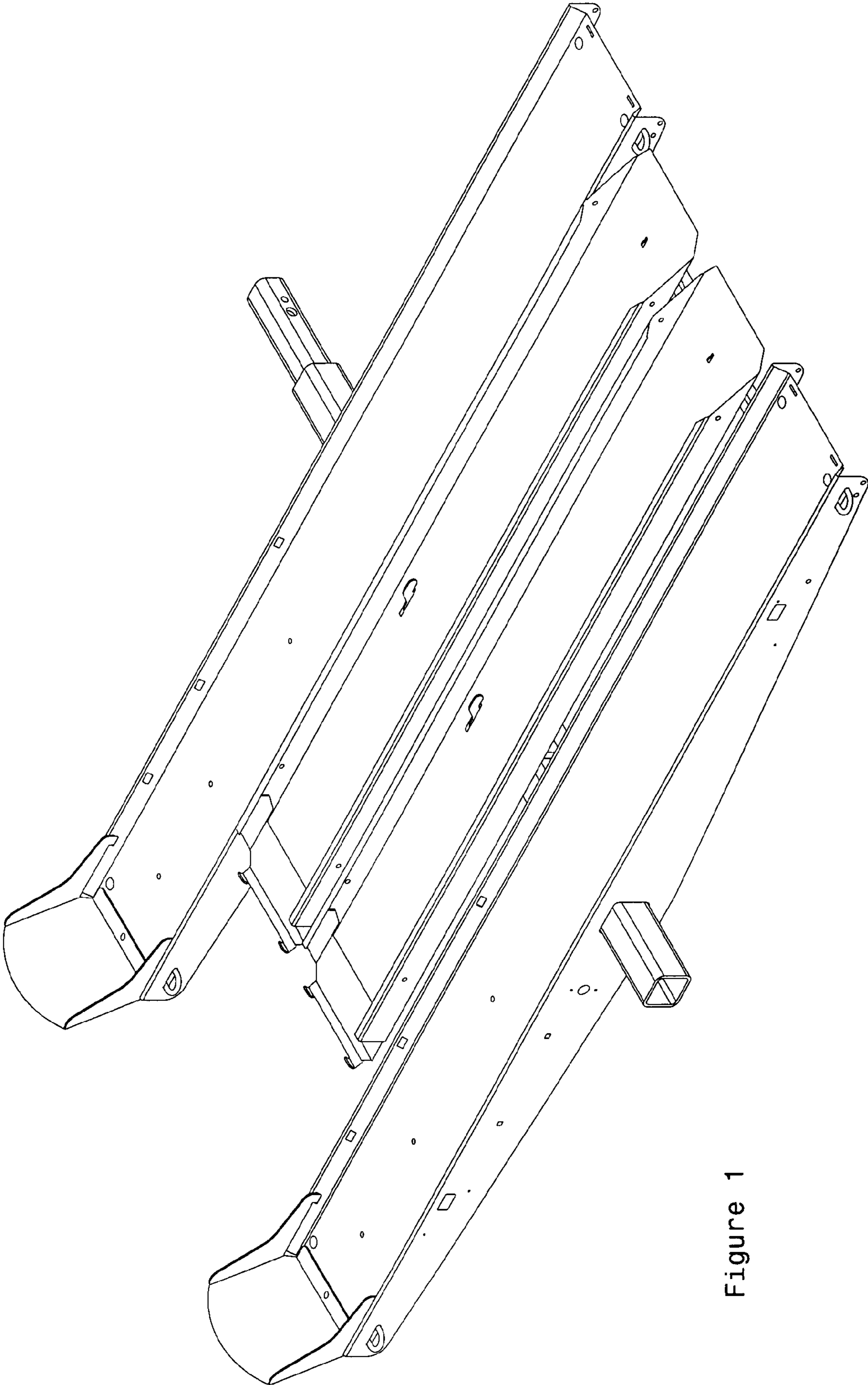


Figure 1

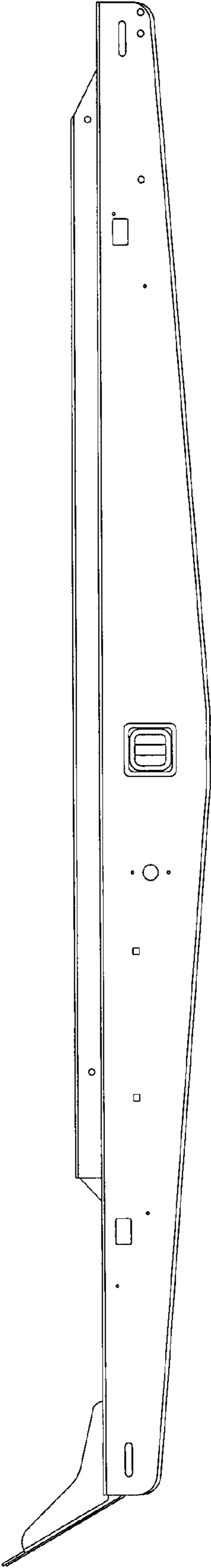


Figure 2

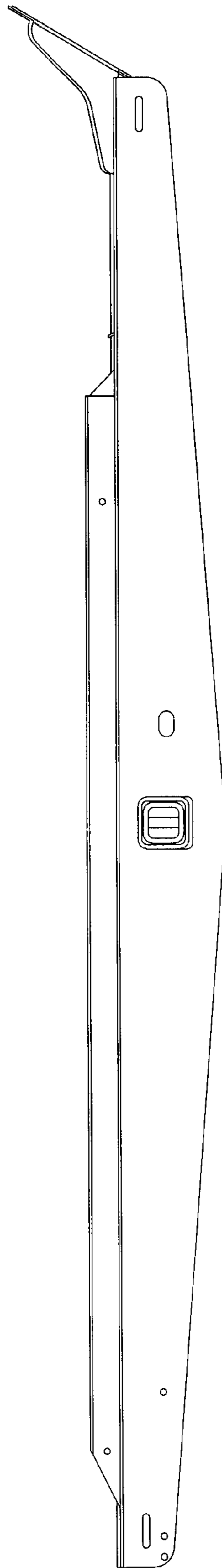


Figure 3

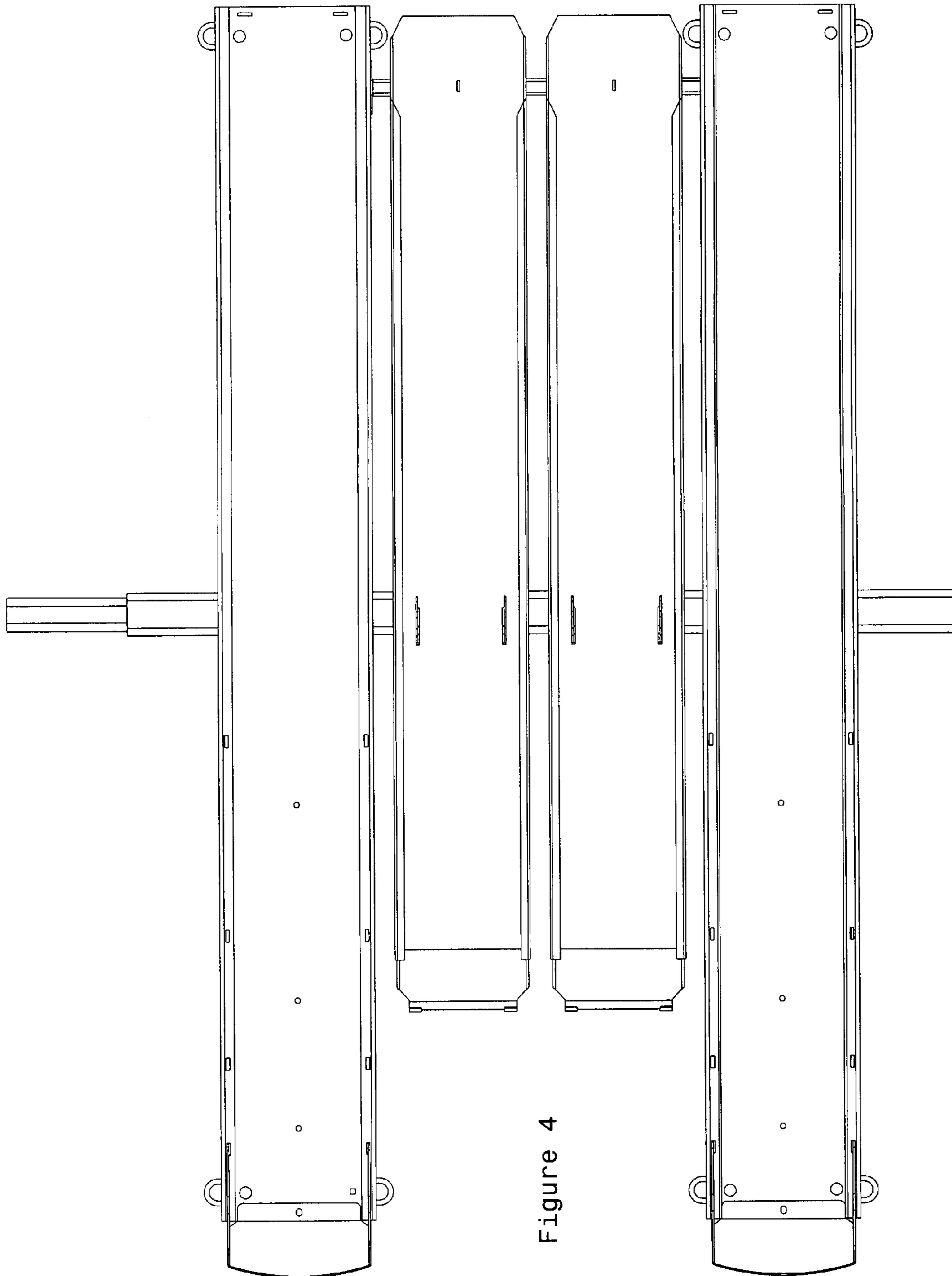


Figure 4

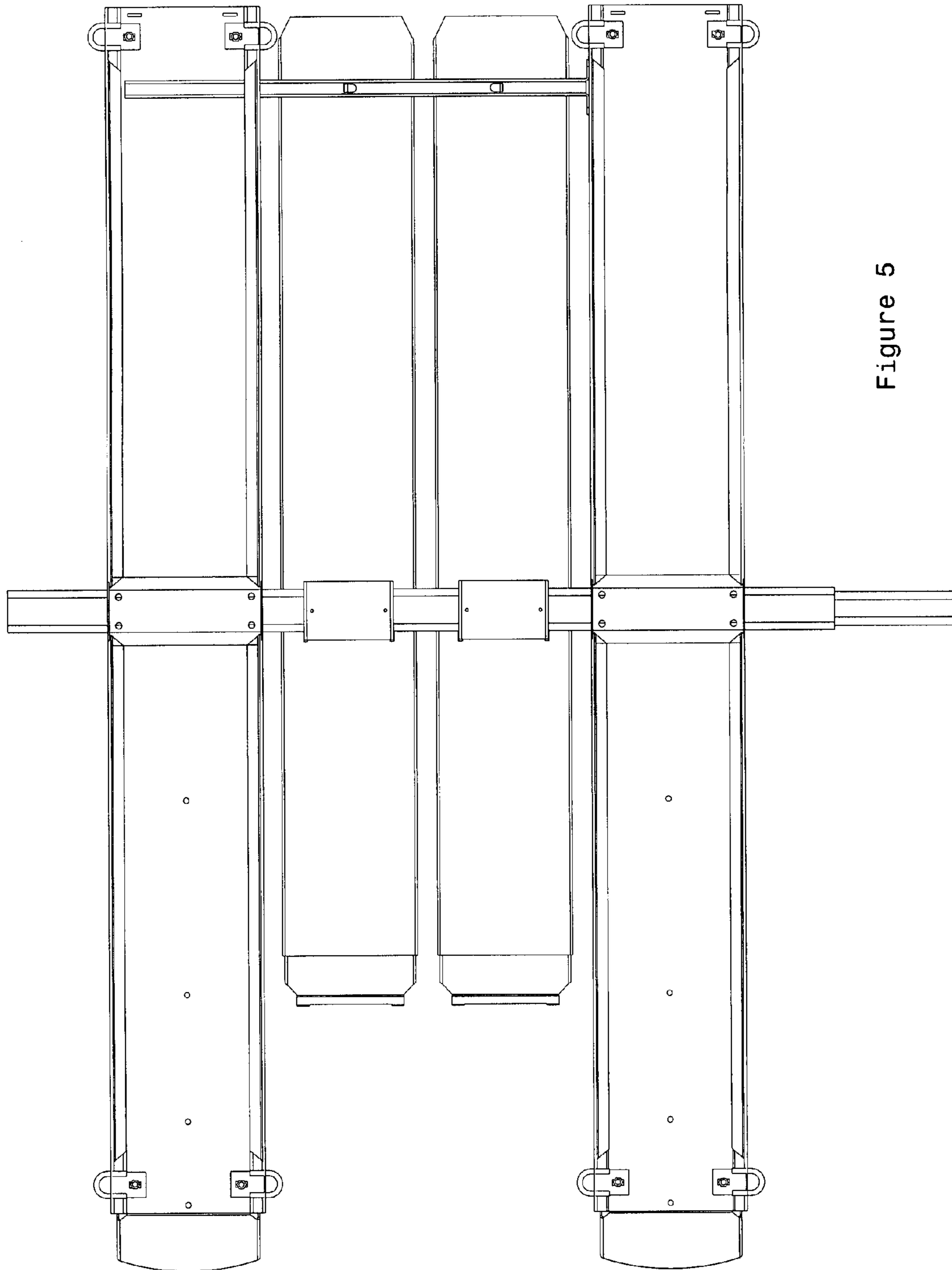


Figure 5

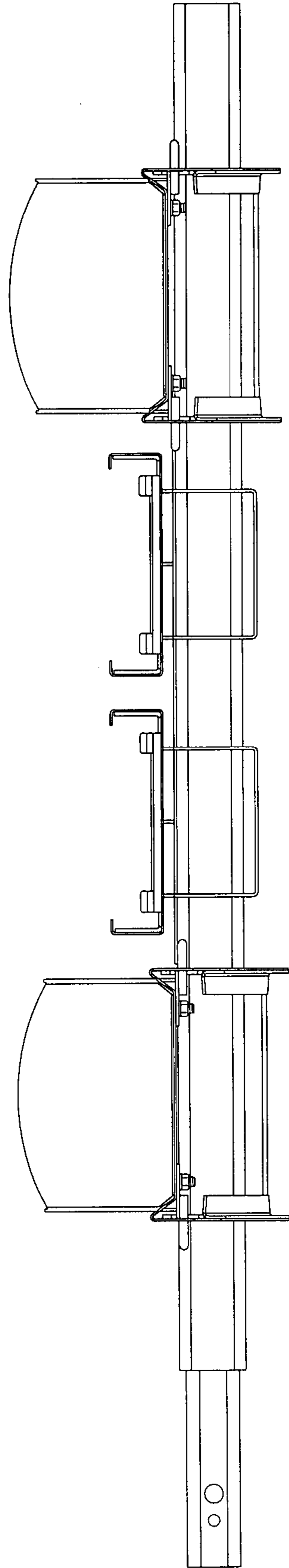


Figure 6

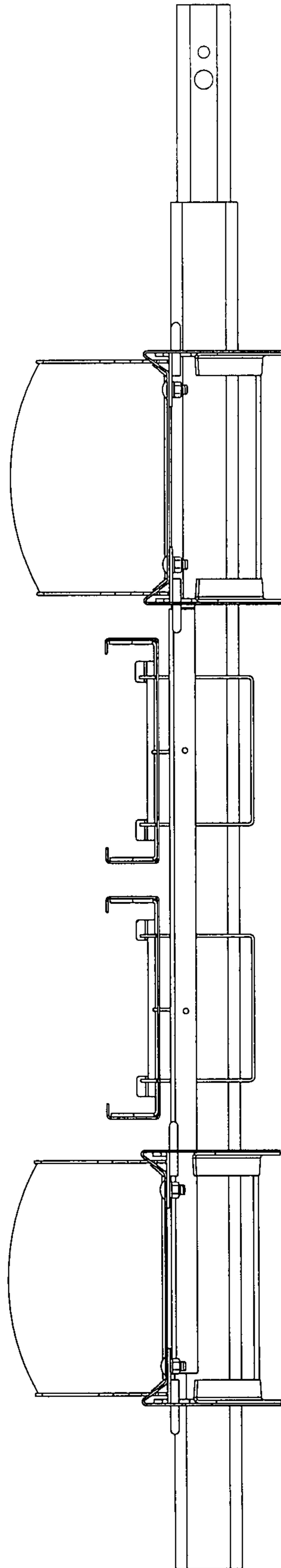


Figure 7