



US00D548168S

(12) **United States Design Patent**
Brown

(10) **Patent No.:** **US D548,168 S**

(45) **Date of Patent:** **** Aug. 7, 2007**

(54) **BEAD LOCK SIMULATOR**

(76) **Inventor:** **Ronald D. Brown**, P.O. Box 1157,
Pinedale, WY (US) 82941

(**) **Term:** **14 Years**

(21) **Appl. No.:** **29/275,314**

(22) **Filed:** **Dec. 20, 2006**

Related U.S. Application Data

(62) Division of application No. 29/200,733, filed on Mar. 3, 2004.

(51) **LOC (8) Cl.** **12-16**

(52) **U.S. Cl.** **D12/213**

(58) **Field of Classification Search** D12/207-213;
301/37.101, 64.101, 65

See application file for complete search history.

(56) **References Cited**

U.S. PATENT DOCUMENTS

2,367,823	A *	1/1945	Brink	152/411
3,302,506	A *	2/1967	Turner et al.	83/665
2003/0080609	A1 *	5/2003	Darnell	301/95.11
2006/0037685	A1 *	2/2006	Clements et al.	152/396

OTHER PUBLICATIONS

http://www.trailready.com/wheels_aluminum.html.*

* cited by examiner

Primary Examiner—Robert M. Spear

Assistant Examiner—George D. Kirschbaum, Jr.

(74) *Attorney, Agent, or Firm*—Workman Nydegger

(57) **CLAIM**

The ornamental design for a bead lock simulator, as shown and described.

DESCRIPTION

FIG. 1 is a perspective view of a bead lock simulator, illustrating the bead lock simulator in connection with an exemplary vehicle;

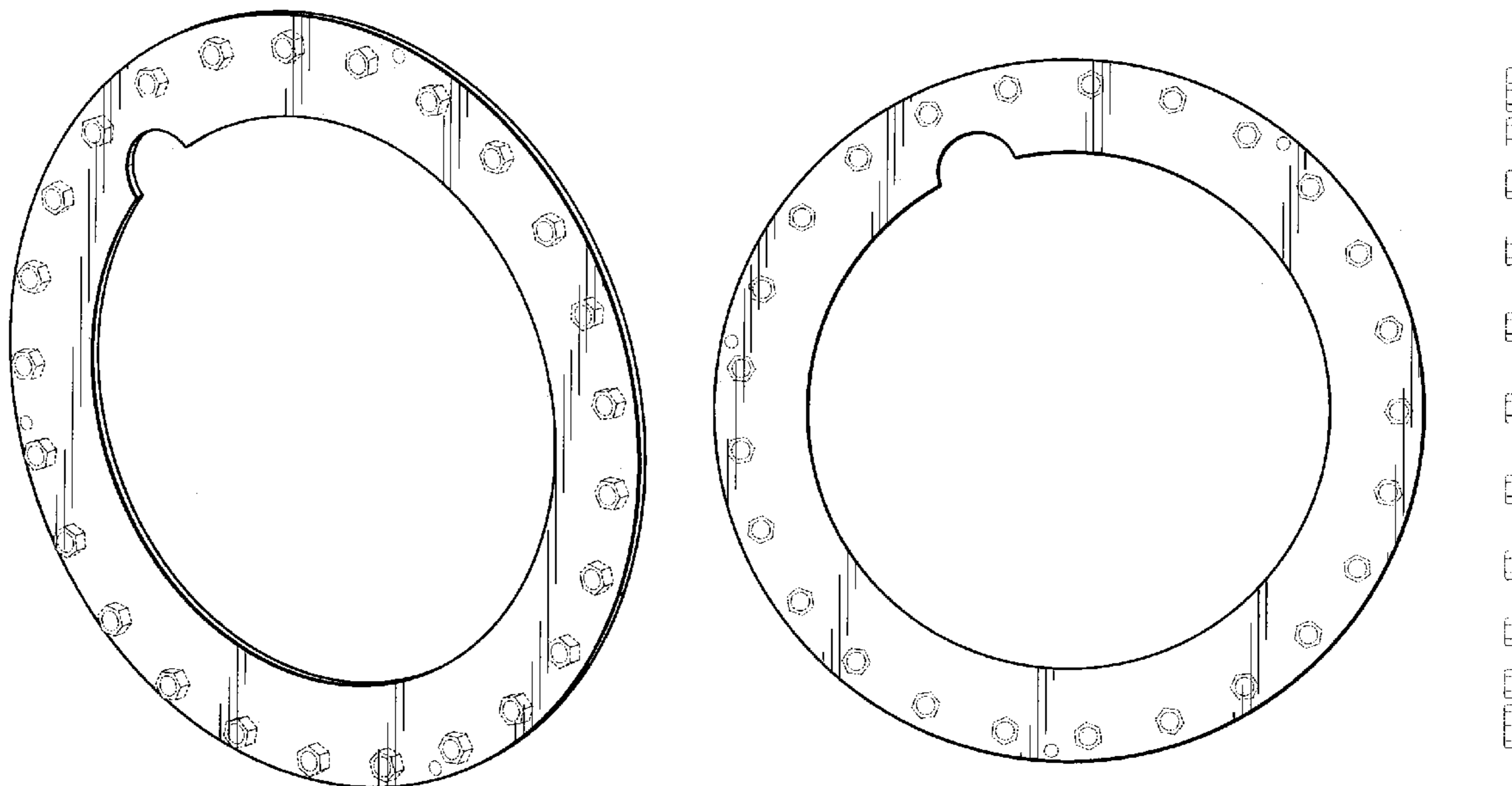
FIG. 2 is a perspective view of the bead lock simulator;

FIG. 3 is a front view of the bead lock simulator; and,

FIG. 4 is side view of the bead lock simulator.

The broken lines are for illustrative purposes only and form no part of the claimed design.

1 Claim, 2 Drawing Sheets



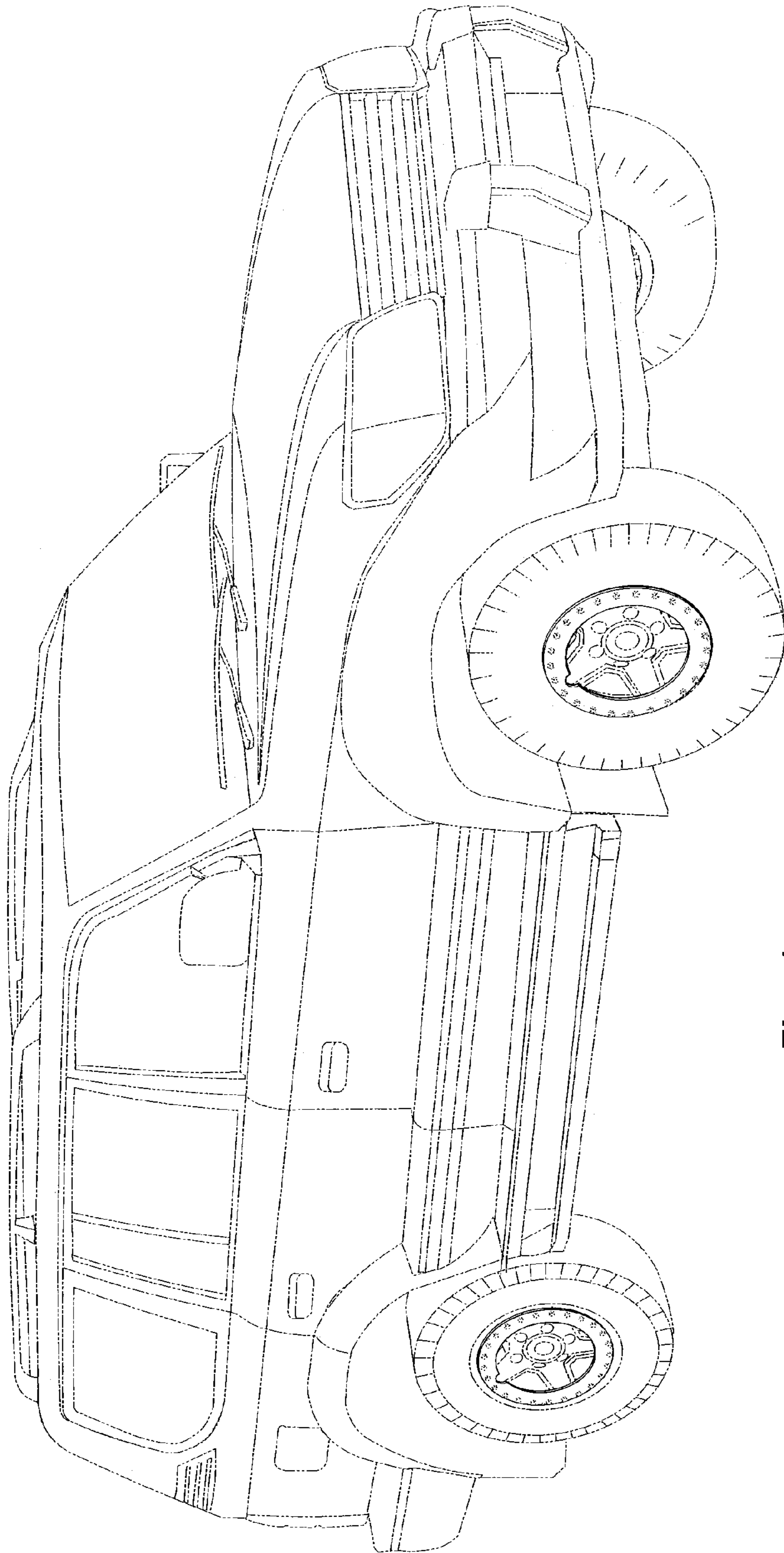


Fig. 1

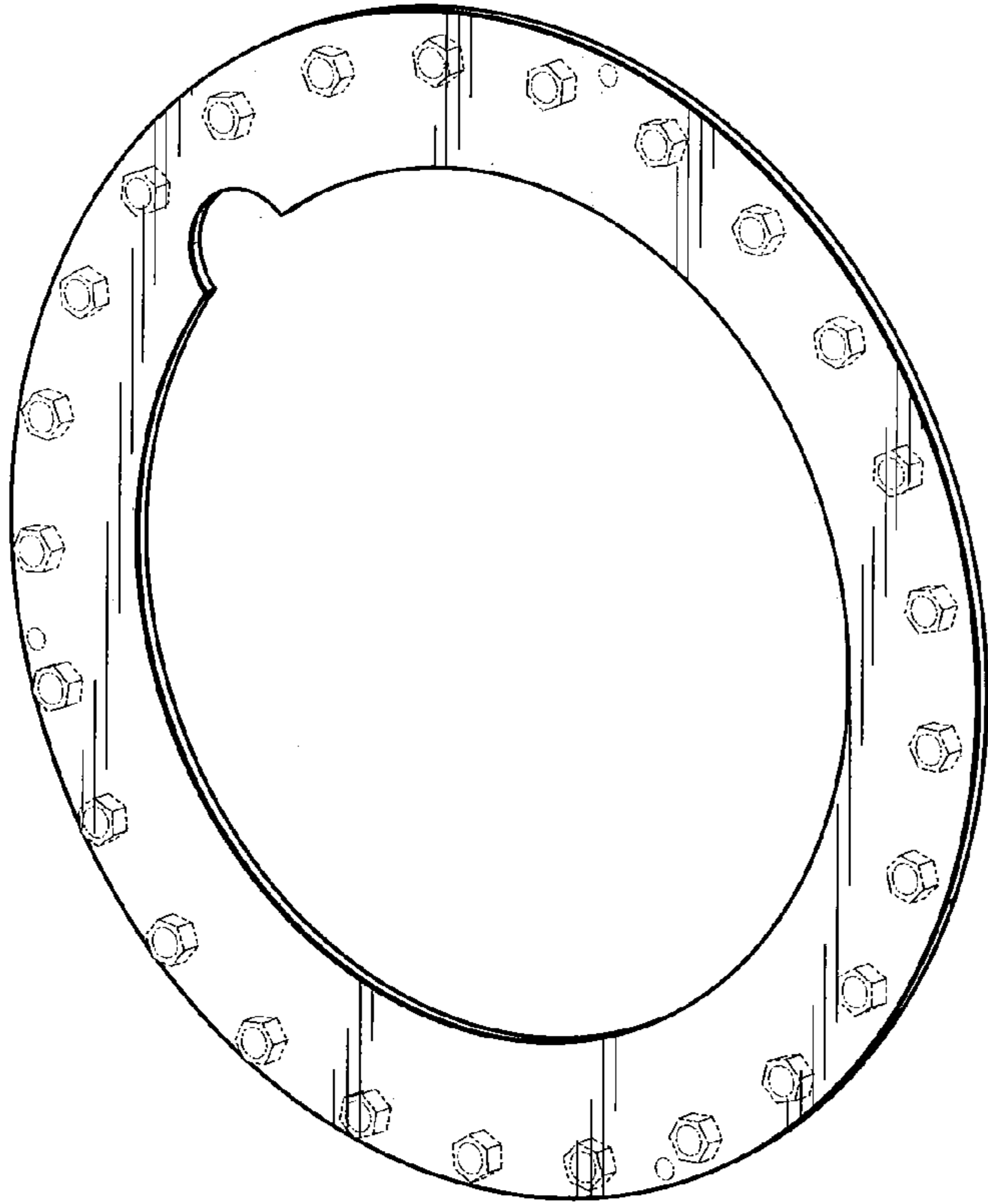


Fig. 2

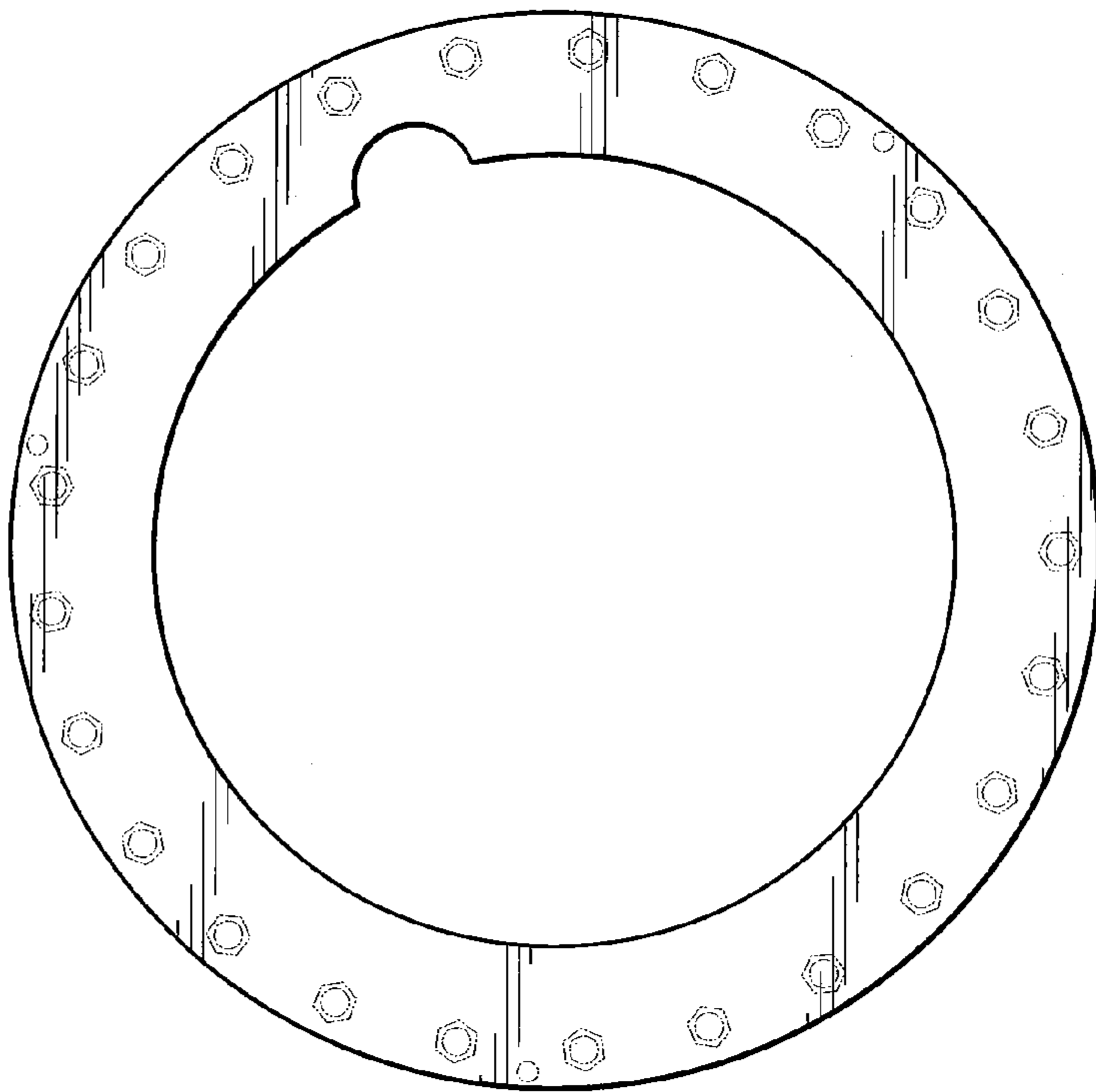


Fig. 3



Fig. 4