

US00D548167S

(12) **United States Design Patent**
Groom

(10) **Patent No.:** **US D548,167 S**

(45) **Date of Patent:** **** Aug. 7, 2007**

- (54) **WHEEL**
 - (75) Inventor: **Colbey Groom**, Murrieta, CA (US)
 - (73) Assignee: **Wheel Pros, Inc.**, Lakewood, CO (US)
 - (**) Term: **14 Years**
 - (21) Appl. No.: **29/278,586**
 - (22) Filed: **Apr. 3, 2007**
 - (51) **LOC (8) Cl.** **12-16**
 - (52) **U.S. Cl.** **D12/211**
 - (58) **Field of Classification Search** D12/204-213;
301/37.101, 64.101, 65
- See application file for complete search history.

- D484,083 S 12/2003 Tai
- D484,084 S 12/2003 Tai
- D486,114 S 2/2004 Lai
- D487,882 S 3/2004 Cahyono
- D488,116 S 4/2004 Chung
- D488,422 S 4/2004 Hartanto
- D488,762 S 4/2004 Cahyono
- D488,763 S 4/2004 Takechi
- D490,040 S 5/2004 Foose
- D492,234 S 6/2004 Kataoka
- D492,240 S 6/2004 Suciu
- D493,406 S 7/2004 Kataoka
- D494,523 S 8/2004 Koenigsberg
- D495,285 S 8/2004 Phillips
- D496,317 S * 9/2004 Kataoka D12/209

(Continued)

(56) **References Cited**
U.S. PATENT DOCUMENTS

- D214,620 S 7/1969 Barris
- D417,427 S 12/1999 Brown
- D436,339 S 1/2001 Fitzgerald
- D449,267 S 10/2001 Fitzgerald
- D456,332 S * 4/2002 Vian D12/211
- D456,757 S 5/2002 Schroeder
- D457,849 S 5/2002 Kataoka
- D459,691 S 7/2002 Takechi
- D460,941 S 7/2002 Muzzarelli
- D461,155 S 8/2002 Takechi
- D465,758 S 11/2002 Plessing
- D467,212 S * 12/2002 Noriega D12/209
- D467,857 S 12/2002 Chung
- D468,678 S 1/2003 Oh
- D471,500 S 3/2003 Kataoka
- D471,503 S 3/2003 Baumgartner
- D474,141 S 5/2003 Foose
- D475,962 S 6/2003 Chung
- D478,306 S 8/2003 Brown et al.
- D481,346 S 10/2003 Vian
- D481,347 S 10/2003 Kang
- D482,996 S * 12/2003 Sulahian D12/211

Primary Examiner—Stacia Cadmus
(74) *Attorney, Agent, or Firm*—Garcia-Zamor IP Law; Ruy M. Garcia-Zamor

(57) **CLAIM**

The ornamental design for a wheel, as shown and described.

DESCRIPTION

FIG. 1 is a perspective view of a wheel according to a preferred embodiment of my new design;

FIG. 2 is a front elevational view of the wheel of FIG. 1;

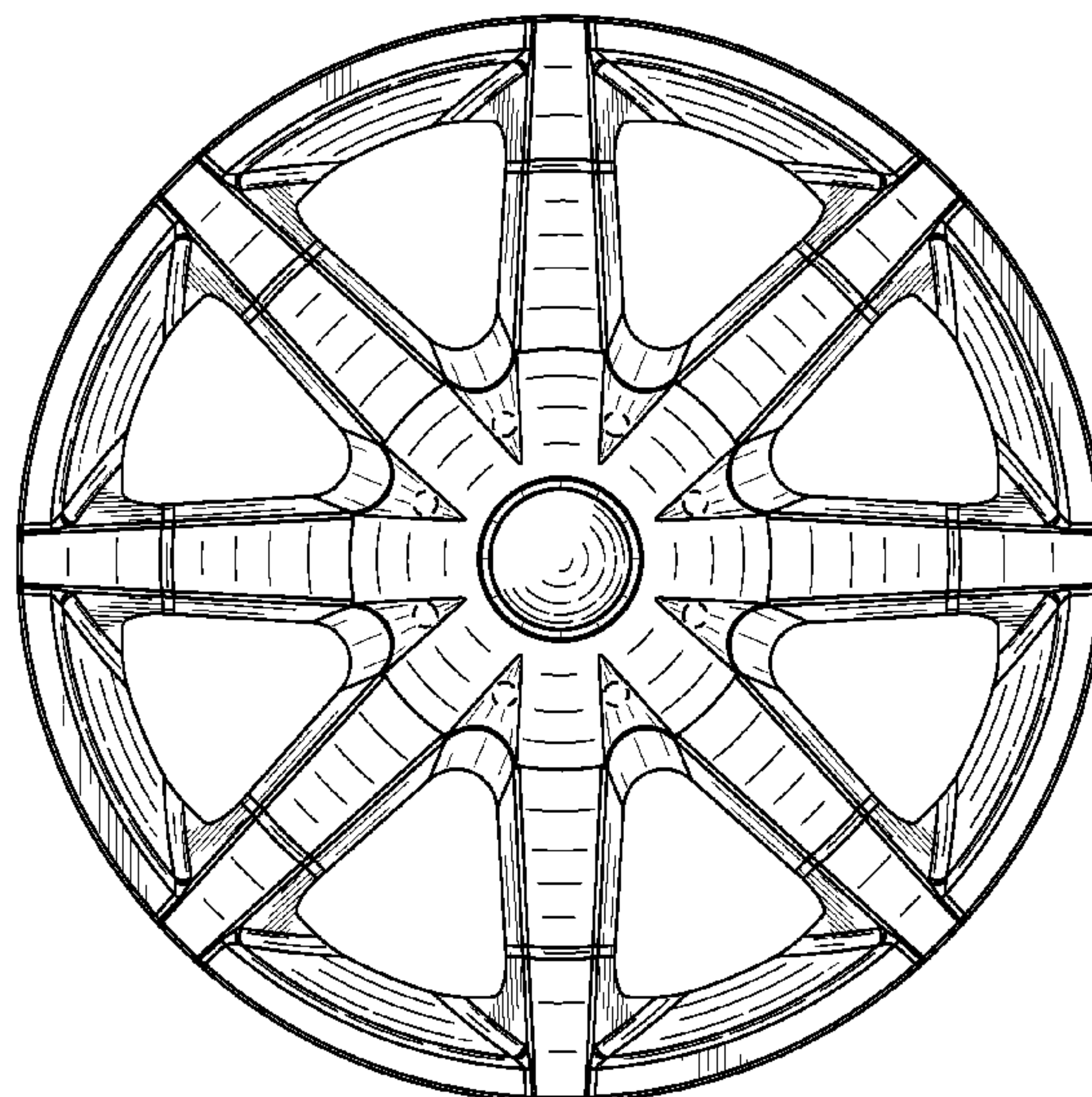
FIG. 3 is a left side elevational view of the wheel of FIG. 1, the right side elevational view being a mirror image thereof;

FIG. 4 is a top plan view of the wheel of FIG. 1, the bottom plan view being a mirror image thereof; and,

FIG. 5 is a rear elevational view of the wheel of FIG. 1.

The broken lines in FIGS. 1-5 represent environment and are for illustrative purposes only and do not constitute part of the claimed design.

1 Claim, 5 Drawing Sheets



US D548,167 S

Page 2

U.S. PATENT DOCUMENTS			
D497,133 S	10/2004	Cheng	
D497,134 S	10/2004	Anderson et al.	
D497,139 S	10/2004	Anderson et al.	
D499,060 S	11/2004	Cahyono	
D504,099 S	4/2005	Boyer	
D505,651 S	5/2005	Arellano et al.	
D505,905 S *	6/2005	Walbey, Jr.	D12/209 * cited by examiner
D506,429 S	6/2005	Arellano et al.	
D507,222 S	7/2005	Arellano et al.	
D513,726 S	1/2006	Kamimura	
D514,052 S *	1/2006	Walbey, Jr.	D12/211
D527,699 S	9/2006	Kiesel	
D531,566 S *	11/2006	Kim	D12/211

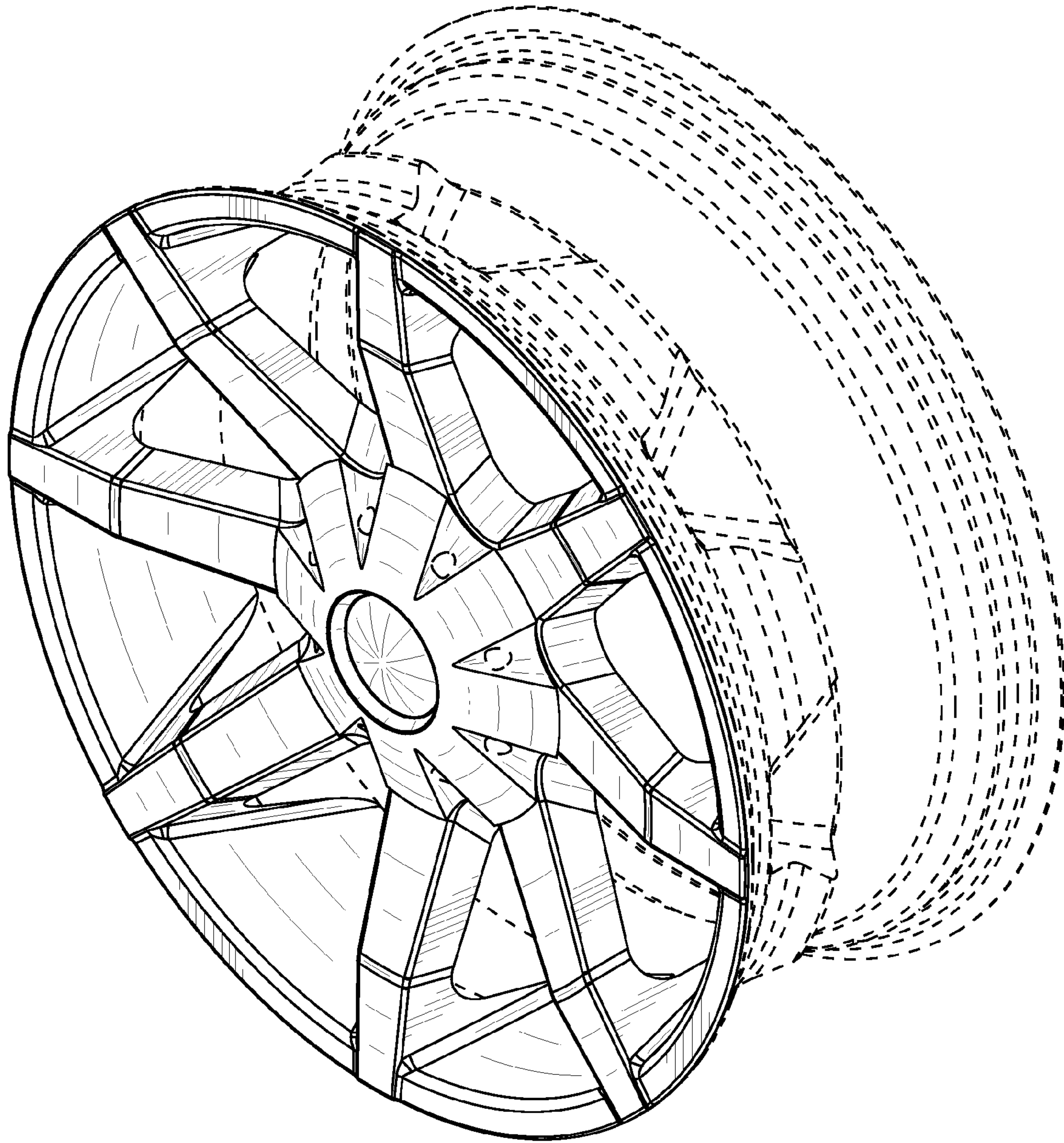


FIG. 1

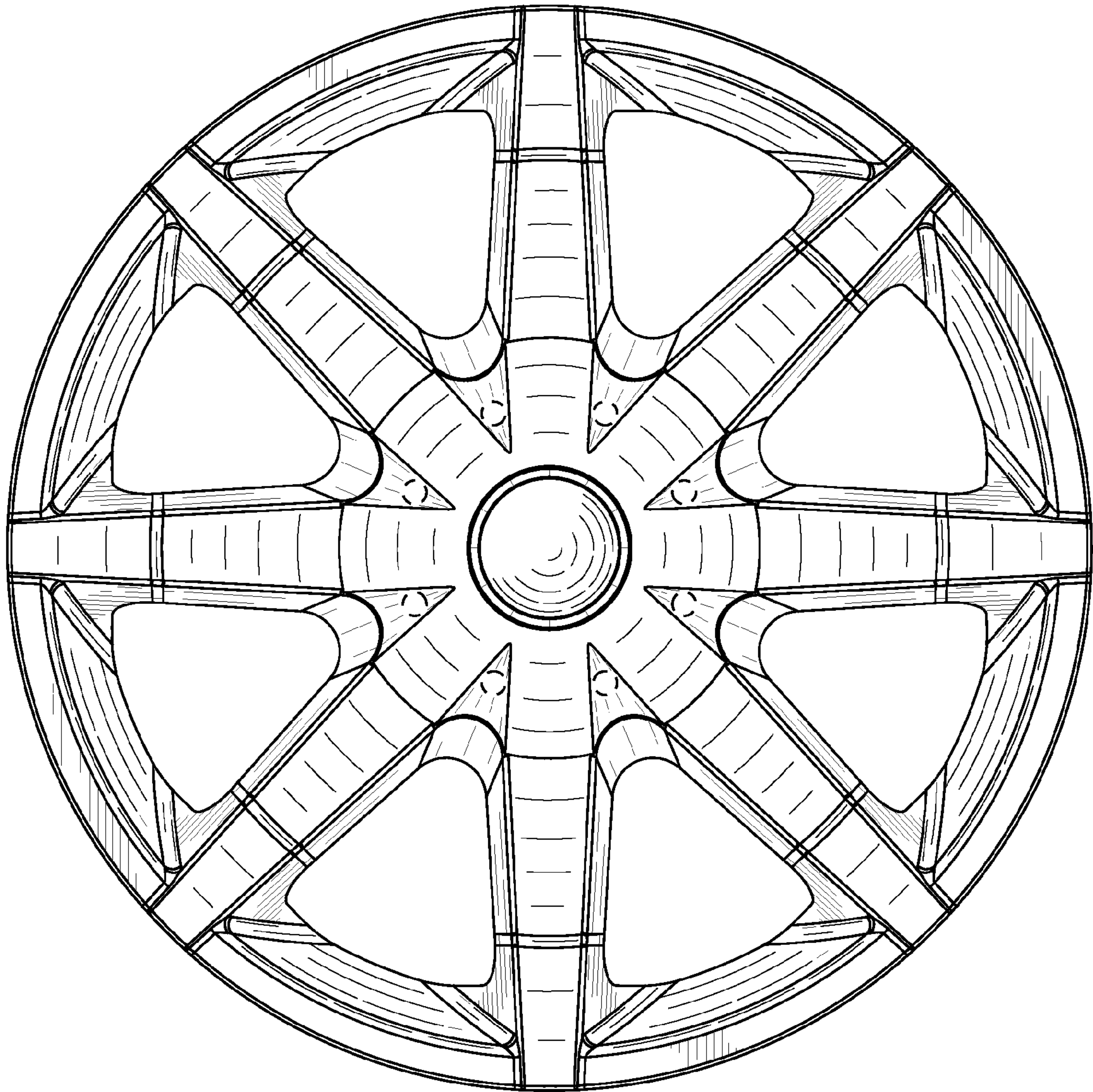


FIG. 2

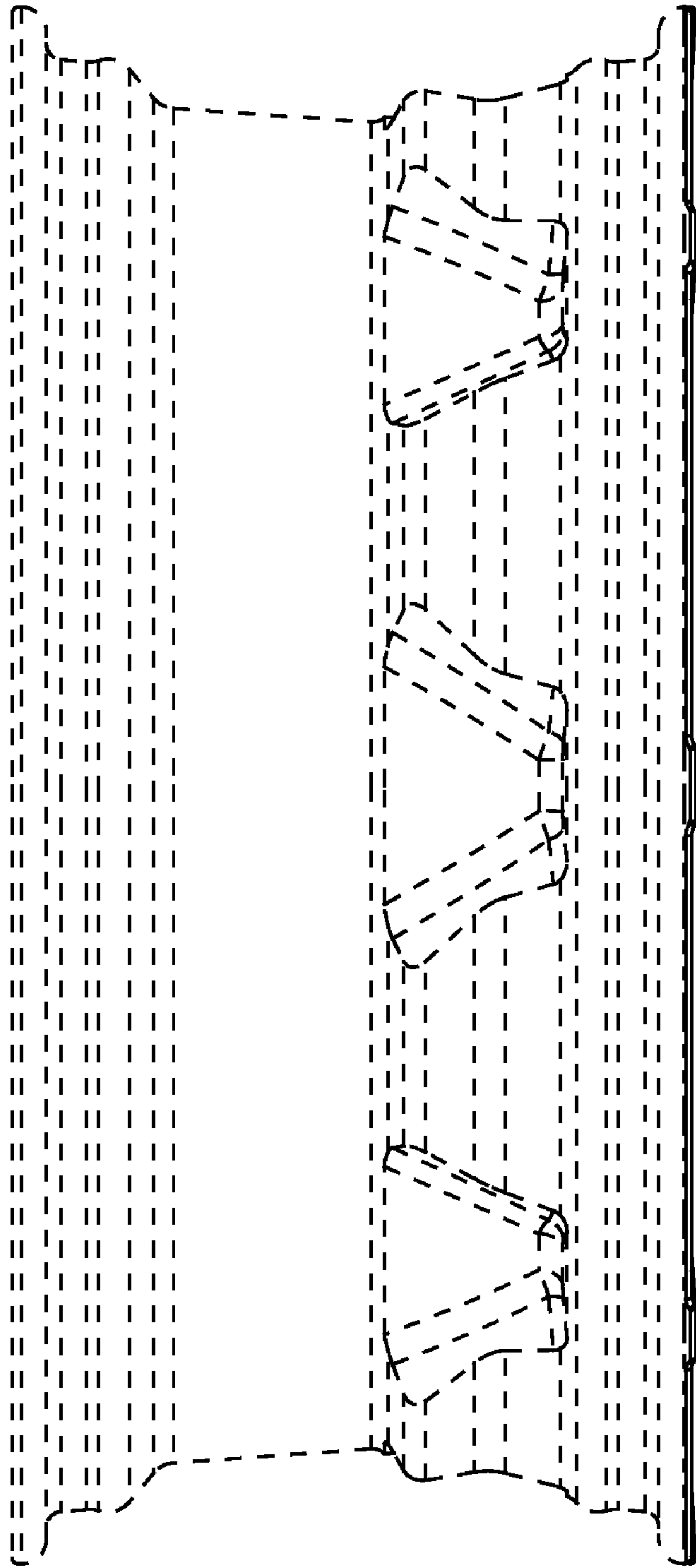


FIG. 3

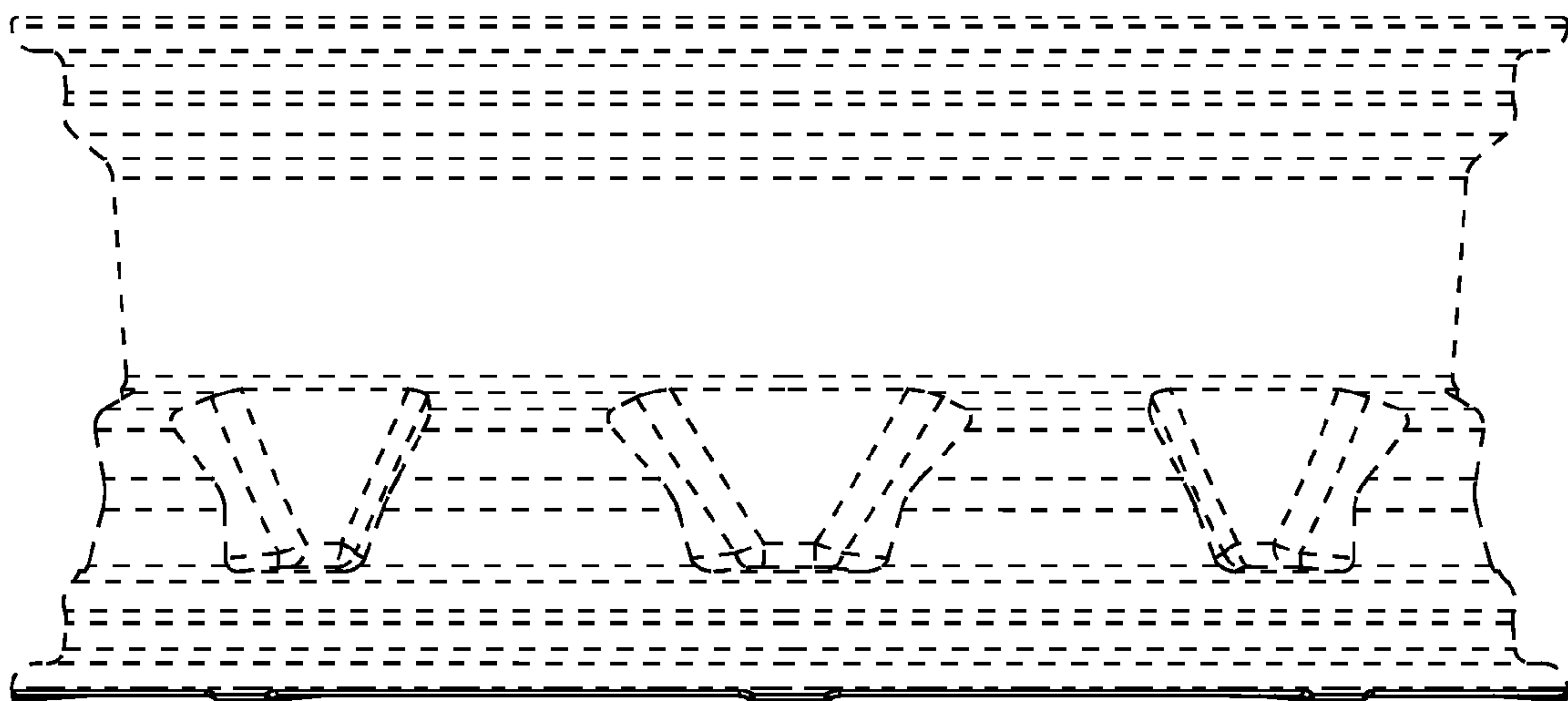


FIG. 4

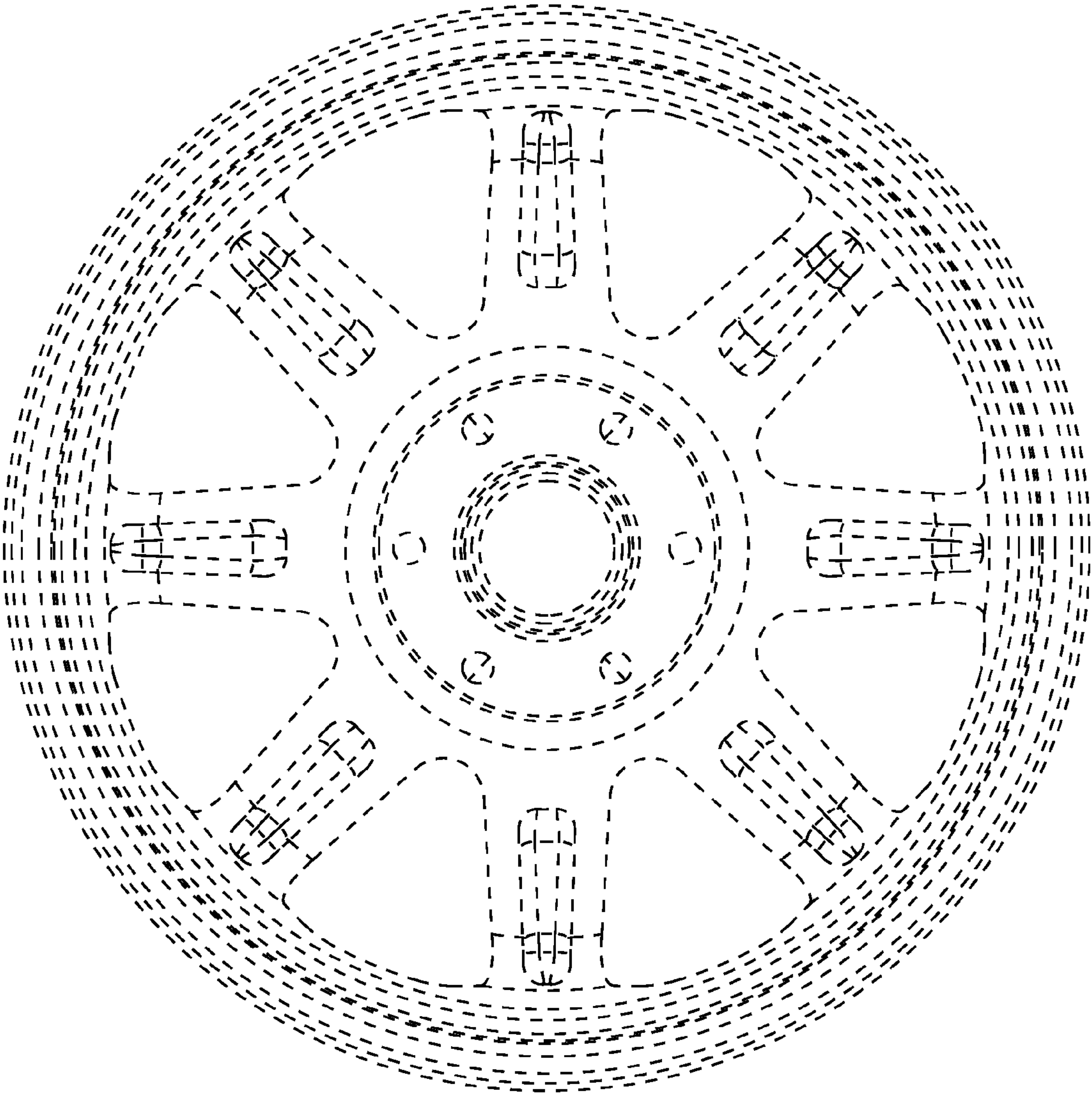


FIG. 5