

US00D548164S

(12) **United States Design Patent**  
**Young**

(10) **Patent No.:** **US D548,164 S**

(45) **Date of Patent:** **\*\* Aug. 7, 2007**

(54) **AUTOMOTIVE WHEEL**

(75) Inventor: **Philip B. Young**, Industry, CA (US)

(73) Assignee: **Master Pacific**, Shanghai (CN)

(\*\*) Term: **14 Years**

(21) Appl. No.: **29/272,413**

(22) Filed: **Feb. 8, 2007**

(51) **LOC (8) Cl.** ..... **12-16**

(52) **U.S. Cl.** ..... **D12/211**

(58) **Field of Classification Search** ..... D12/204-213;  
301/37.101, 64.101, 65

See application file for complete search history.

(56) **References Cited**

U.S. PATENT DOCUMENTS

D375,073 S	*	10/1996	Theiss	.....	D12/209
D418,798 S	*	1/2000	Muzzarelli et al.	.....	D12/211
D436,339 S	*	1/2001	Fitzgerald	.....	D12/209
D460,941 S	*	7/2002	Muzzarelli	.....	D12/211
D480,037 S	*	9/2003	Takechi	.....	D12/211
D515,492 S	*	2/2006	Fitzgerald	.....	D12/211

D522,947 S	*	6/2006	Hieke	.....	D12/209
D526,268 S	*	8/2006	Pfeiffer	.....	D12/211
D526,946 S	*	8/2006	Takechi	.....	D12/209
D527,700 S	*	9/2006	Guevara	.....	D12/211
D531,953 S	*	11/2006	Aoki	.....	D12/211
D532,740 S	*	11/2006	Ettensberger	.....	D12/211
D539,205 S	*	3/2007	Hosoi	.....	D12/211

\* cited by examiner

*Primary Examiner*—Stacia Cadmus

(57) **CLAIM**

The ornamental design for an automotive wheel, as shown and described.

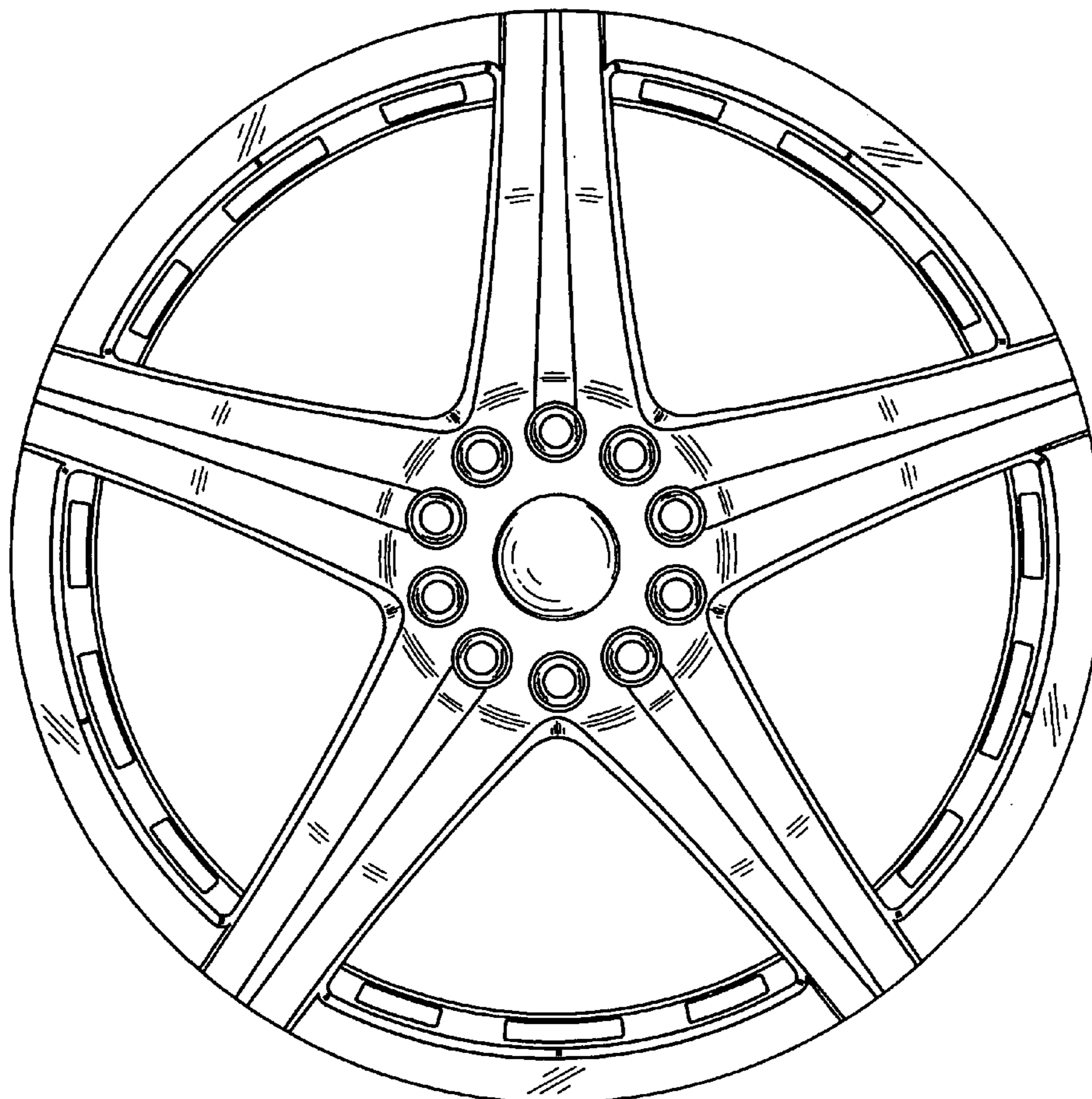
**DESCRIPTION**

FIG. 1 is a perspective view of an automotive wheel showing my new design; and,

FIG. 2 is a front elevational view of an automotive wheel showing the design herein described.

The broken lines showing the environment are for illustrative purposes only, and form no part of the claimed design.

**1 Claim, 2 Drawing Sheets**



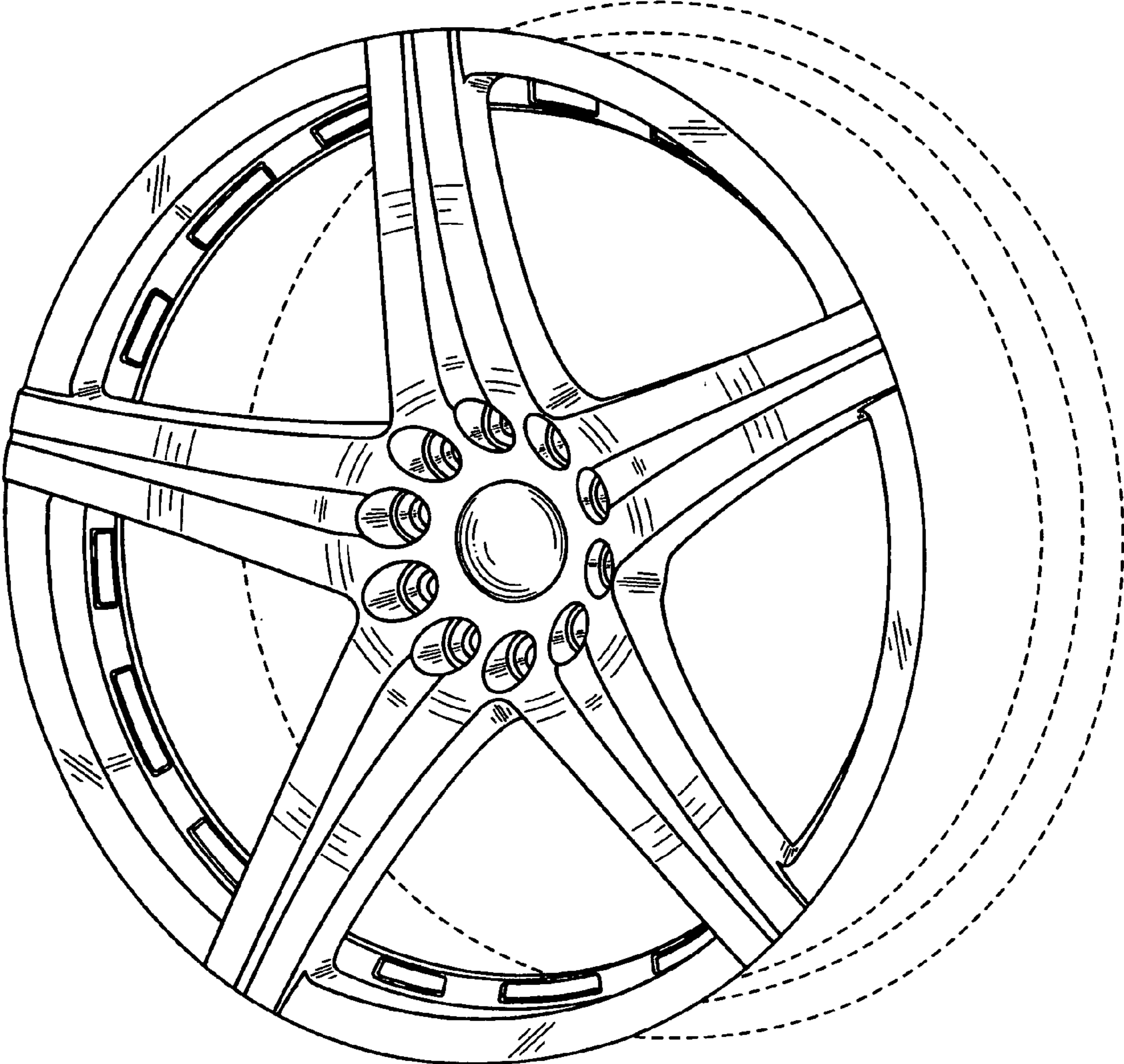


Fig. 1

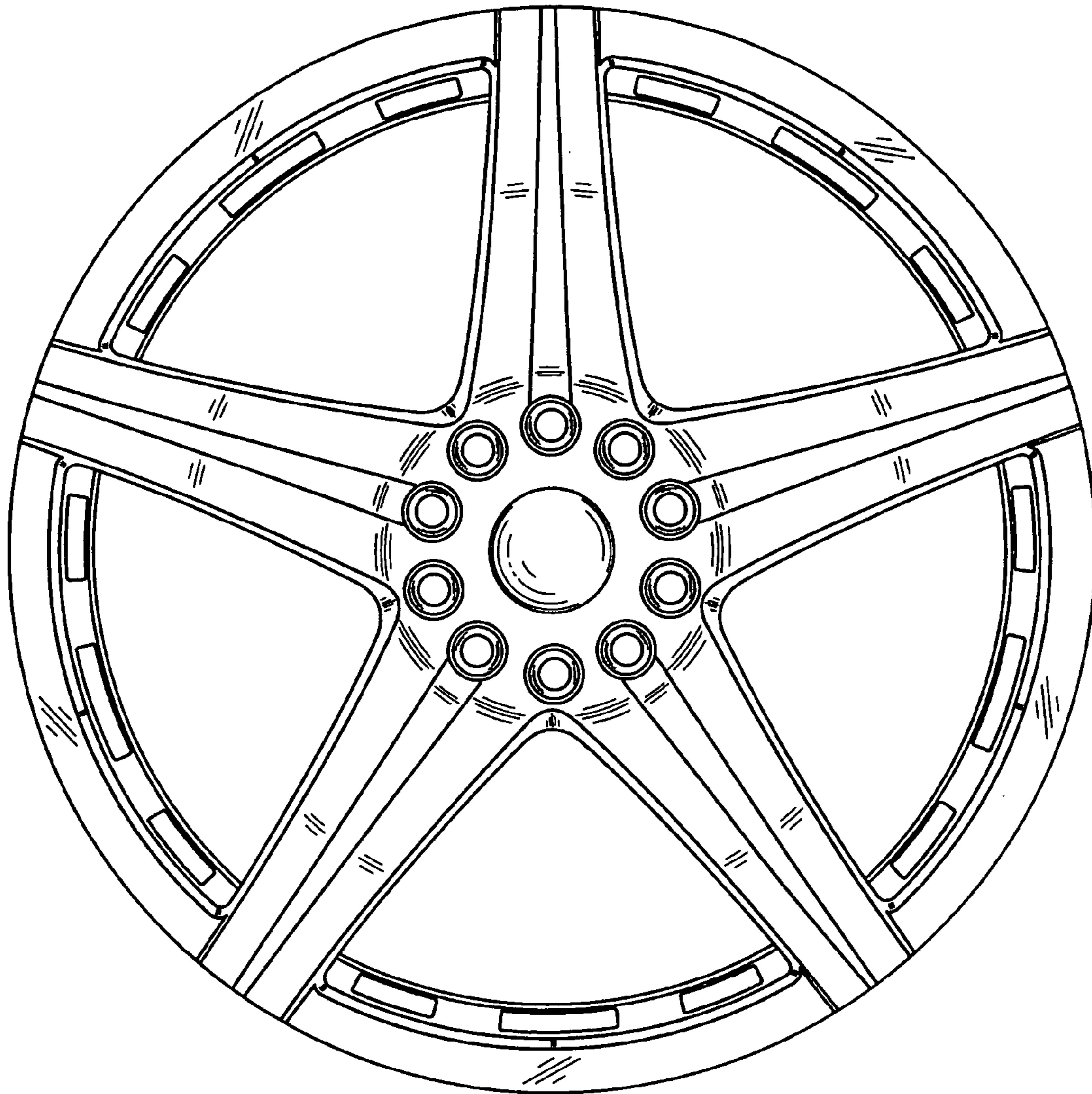


Fig. 2