

US00D548162S

(12) **United States Design Patent**
Baum

(10) **Patent No.:** **US D548,162 S**

(45) **Date of Patent:** **** Aug. 7, 2007**

(54) **FRONT FACE OF A VEHICLE WHEEL**

(75) **Inventor:** **Stephan Baum, Olching (DE)**

(73) **Assignee:** **Bayerische Motoren Werke
Aktiengesellschaft, Munich (DE)**

(**) **Term:** **14 Years**

(21) **Appl. No.:** **29/268,411**

(22) **Filed:** **Nov. 7, 2006**

(30) **Foreign Application Priority Data**

May 8, 2006 (DE) 4 06 02 604

(51) **LOC (8) Cl.** **12-16**

(52) **U.S. Cl.** **D12/211**

(58) **Field of Classification Search** D12/204-213;
301/37.101, 64.101, 65

See application file for complete search history.

(56) **References Cited**

U.S. PATENT DOCUMENTS

- D350,932 S * 9/1994 Echazabel et al. D12/211
- D409,132 S * 5/1999 Cullen D12/211
- D428,379 S * 7/2000 Donikoglu D12/211
- D438,503 S * 3/2001 Syring D12/211
- D460,942 S * 7/2002 Lee D12/211

- D480,035 S * 9/2003 Frohlich D12/211
- D483,714 S * 12/2003 Warming D12/211
- D493,404 S * 7/2004 Baum D12/211
- D500,726 S * 1/2005 Hettler D12/211
- D516,989 S * 3/2006 Baum D12/211
- D516,990 S * 3/2006 Schweizer D12/211
- D525,932 S * 8/2006 Hettler D12/211
- D528,495 S * 9/2006 Truebsbach D12/211

FOREIGN PATENT DOCUMENTS

JP 1210319 6/2004

* cited by examiner

Primary Examiner—Stacia Cadmus

(74) *Attorney, Agent, or Firm*—Crowell & Moring LLP

(57) **CLAIM**

The ornamental design for a front face of a vehicle wheel, as shown and described.

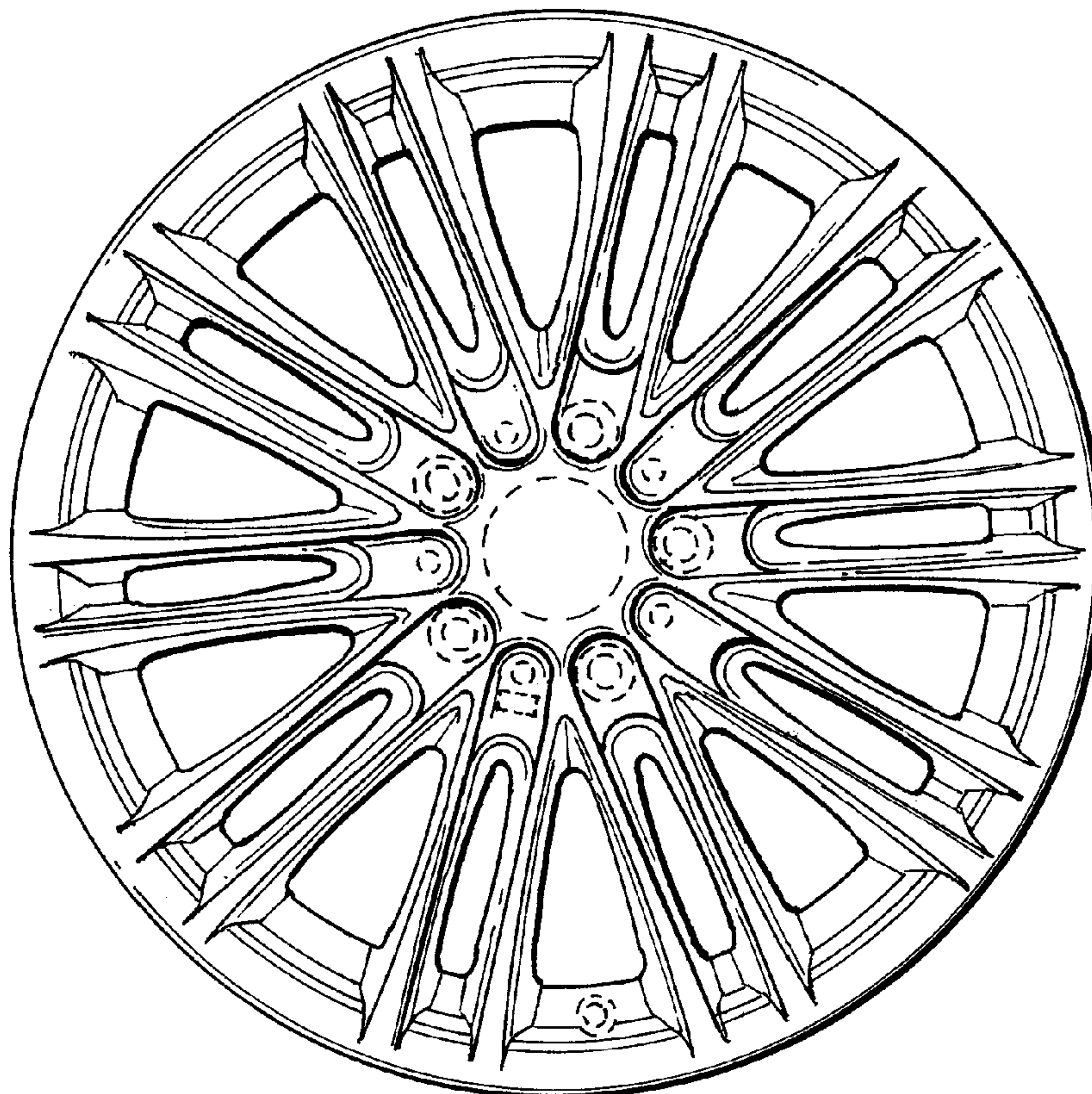
DESCRIPTION

FIG. 1 is a front view of a front face of a vehicle wheel according to my novel design; and,

FIG. 2 is a perspective view thereof.

The broken lines are for illustrative purposes only and form no part of the claimed design.

1 Claim, 1 Drawing Sheet



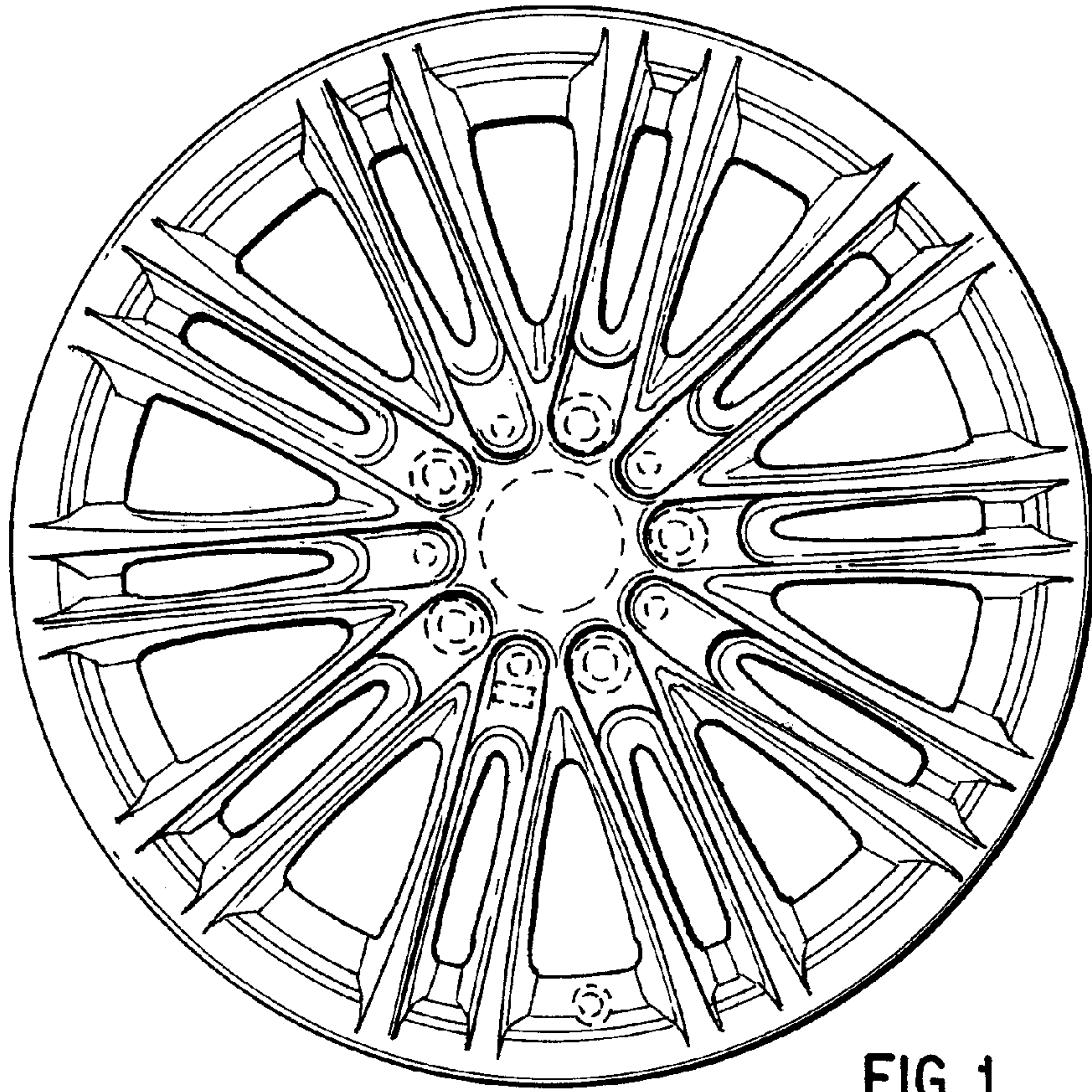


FIG. 1

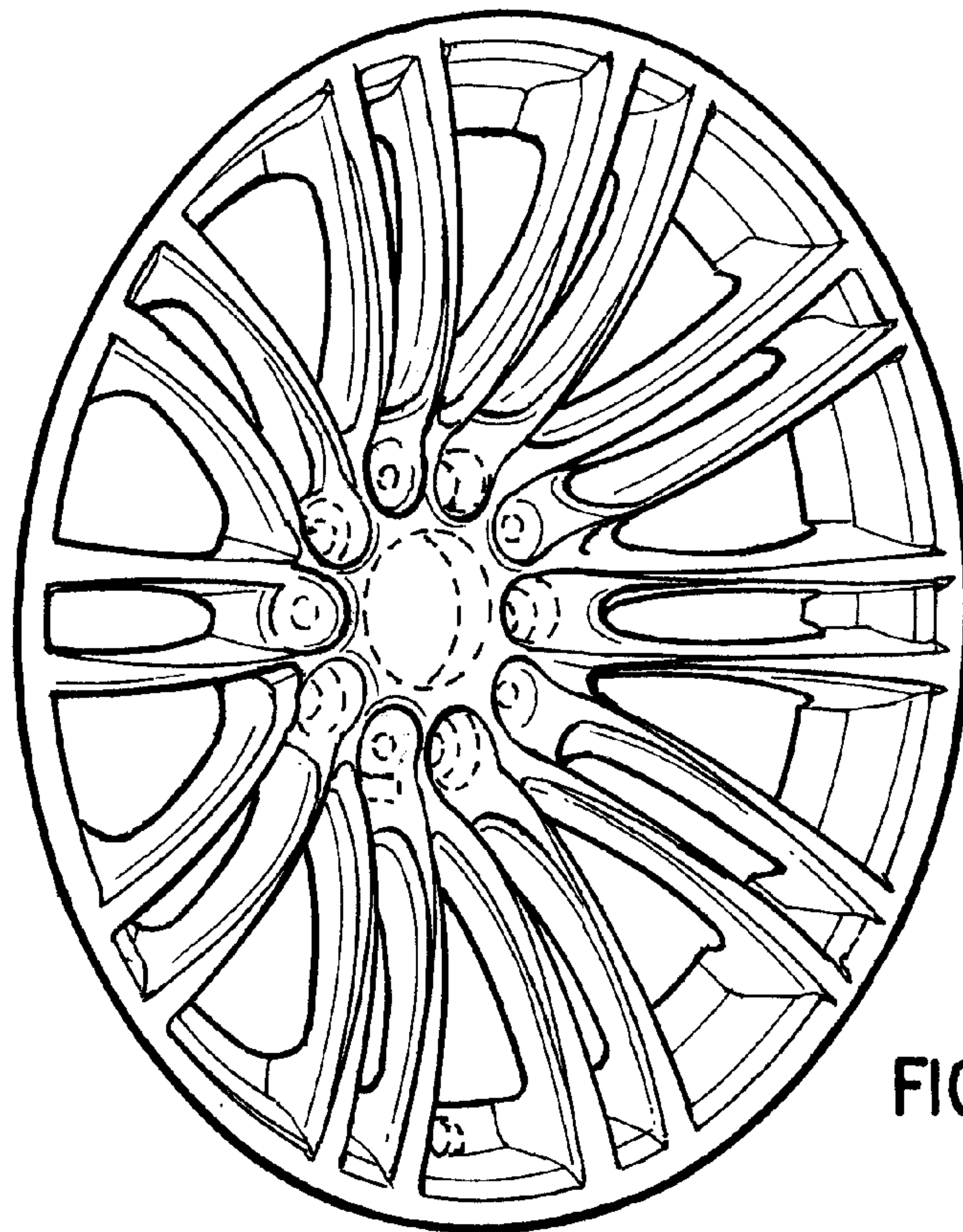


FIG. 2