



US00D548161S

(12) **United States Design Patent**  
**Young**

(10) **Patent No.:** **US D548,161 S**

(45) **Date of Patent:** **\*\* Aug. 7, 2007**

(54) **AUTOMOTIVE WHEEL**

(76) **Inventor:** **Philip B. Young**, 18400 Gale Ave.,  
Industry, CA (US) 91748

(\*\*) **Term:** **14 Years**

(21) **Appl. No.:** **29/285,726**

(22) **Filed:** **Apr. 9, 2007**

(51) **LOC (8) Cl.** ..... **12-16**

(52) **U.S. Cl.** ..... **D12/209**

(58) **Field of Classification Search** ..... D12/204-213;  
301/37.101, 64.101, 65

See application file for complete search history.

(56) **References Cited**

**U.S. PATENT DOCUMENTS**

D472,866 S	*	4/2003	Pfeiffer et al.	.....	D12/211
D493,761 S	*	8/2004	Kang	.....	D12/211
D494,524 S	*	8/2004	Rice	.....	D12/211
D500,004 S	*	12/2004	Szavits	.....	D12/211
D503,918 S	*	4/2005	Fahr-Becker	.....	D12/211
D507,517 S	*	7/2005	Kushartanto	.....	D12/209

D515,490 S	*	2/2006	Pfeiffer	.....	D12/209
D521,437 S	*	5/2006	Long	.....	D12/209
D522,952 S	*	6/2006	Nakahara	.....	D12/211
D530,253 S	*	10/2006	Coutts	.....	D12/209
D531,104 S	*	10/2006	Kim	.....	D12/209
D531,565 S	*	11/2006	Pfeiffer	.....	D12/211
D535,238 S	*	1/2007	Kim	.....	D12/209

\* cited by examiner

*Primary Examiner*—Stacia Cadmus

(57) **CLAIM**

The ornamental design for an automotive wheel, as shown and described.

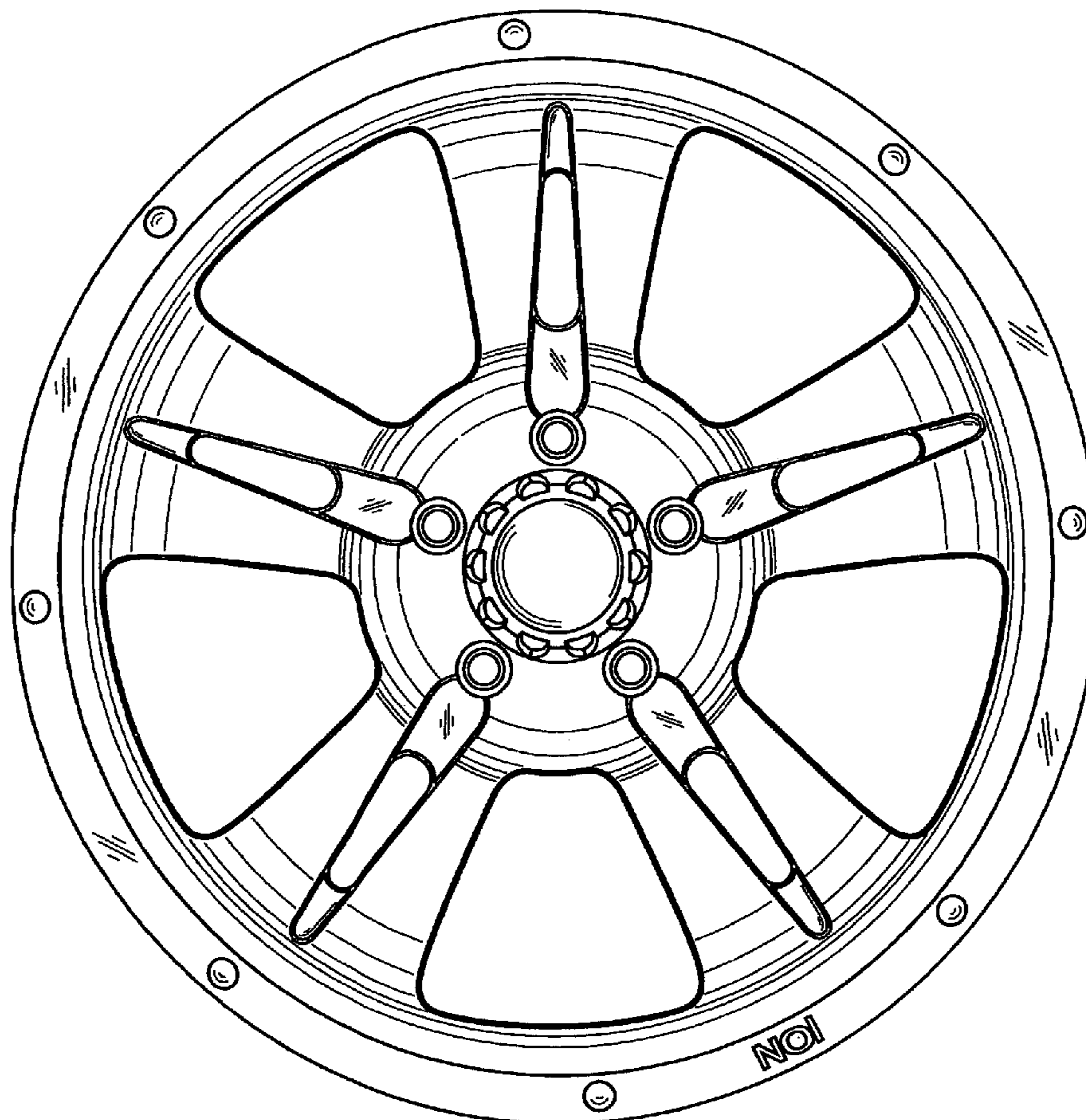
**DESCRIPTION**

FIG. 1 is a perspective view of an automotive wheel showing my new design; and,

FIG. 2 is a front elevational view of an automotive wheel showing the design herein described.

The broken lines showing the environment are for illustrative purposes only, and form no part of the claimed design.

**1 Claim, 2 Drawing Sheets**



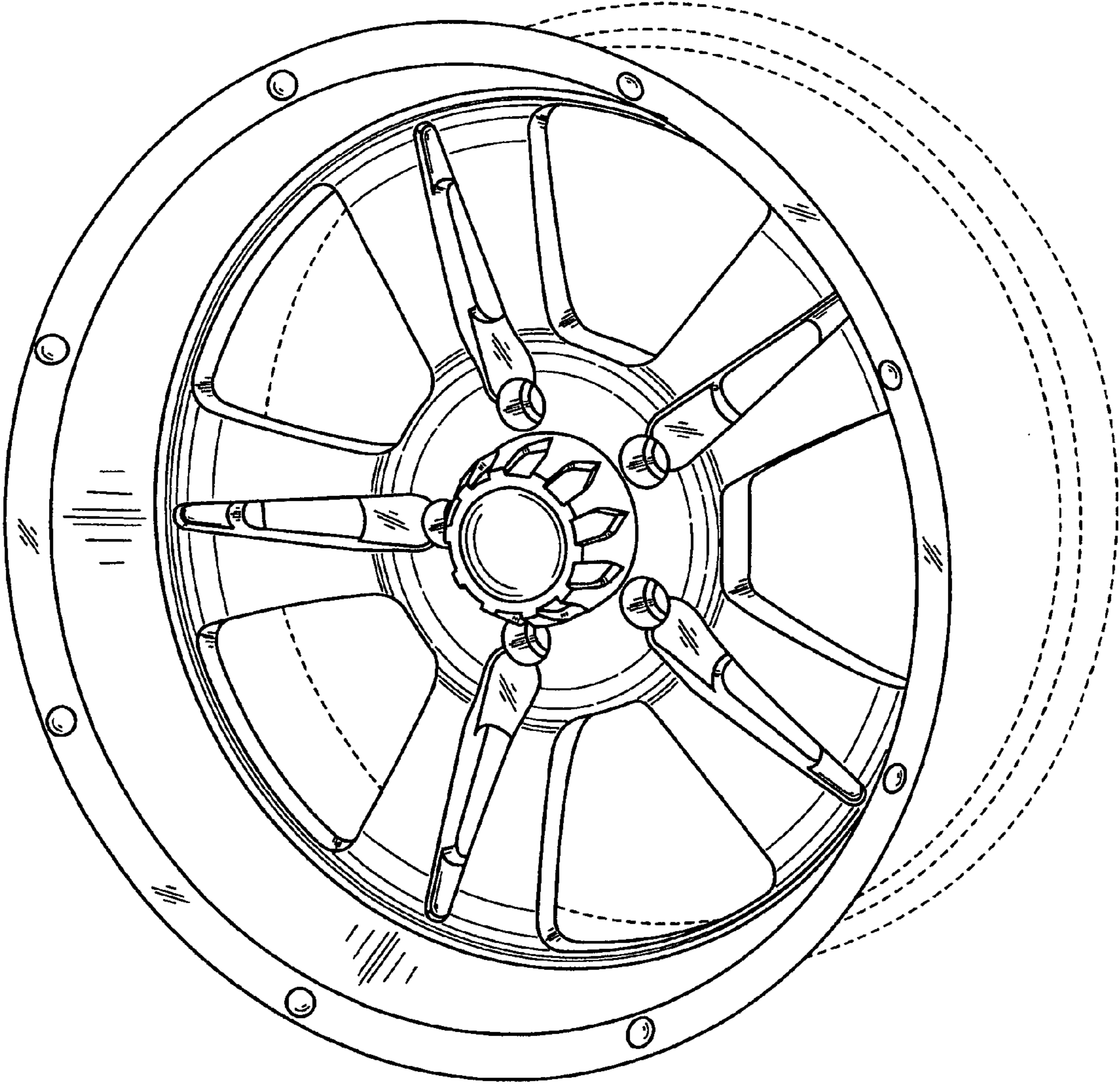


Fig. 1

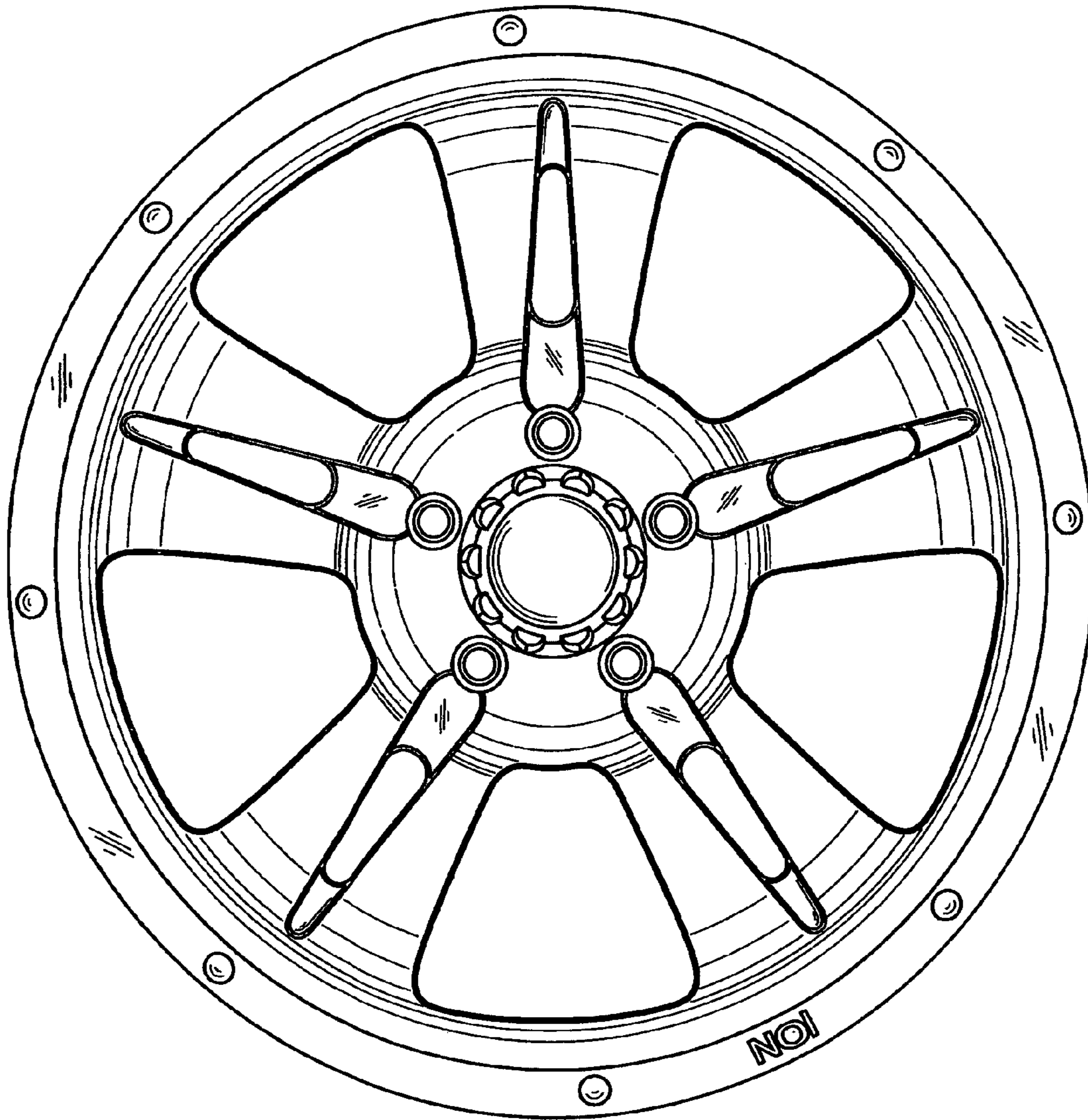


Fig. 2