



US00D548159S

(12) **United States Design Patent**
Young

(10) **Patent No.:** **US D548,159 S**

(45) **Date of Patent:** **** Aug. 7, 2007**

(54) **AUTOMOTIVE WHEEL**

(75) Inventor: **Philip B. Young**, Industry, CA (US)

(73) Assignee: **Master Pacific**, Shanghai (CN)

(**) Term: **14 Years**

(21) Appl. No.: **29/271,527**

(22) Filed: **Jan. 22, 2007**

(51) **LOC (8) Cl.** **12-16**

(52) **U.S. Cl.** **D12/209**

(58) **Field of Classification Search** D12/204-213;
301/37.101, 64.101, 65

See application file for complete search history.

(56) **References Cited**

U.S. PATENT DOCUMENTS

D418,798 S *	1/2000	Muzzarelli et al.	D12/211
D436,339 S *	1/2001	Fitzgerald	D12/209
D453,722 S *	2/2002	Fitzgerald	D12/209
D460,941 S *	7/2002	Muzzarelli	D12/211
D463,348 S *	9/2002	Kataoka	D12/209

D475,673 S *	6/2003	Chung	D12/209
D481,342 S *	10/2003	Kang	D12/209
D495,288 S *	8/2004	Walbey, Jr.	D12/209
D502,437 S *	3/2005	Kushartanto	D12/209
D513,488 S *	1/2006	Chun	D12/209
D531,953 S *	11/2006	Aoki	D12/211

* cited by examiner

Primary Examiner—Stacia Cadmus

(57) **CLAIM**

The ornamental design for an automotive wheel, as shown and described.

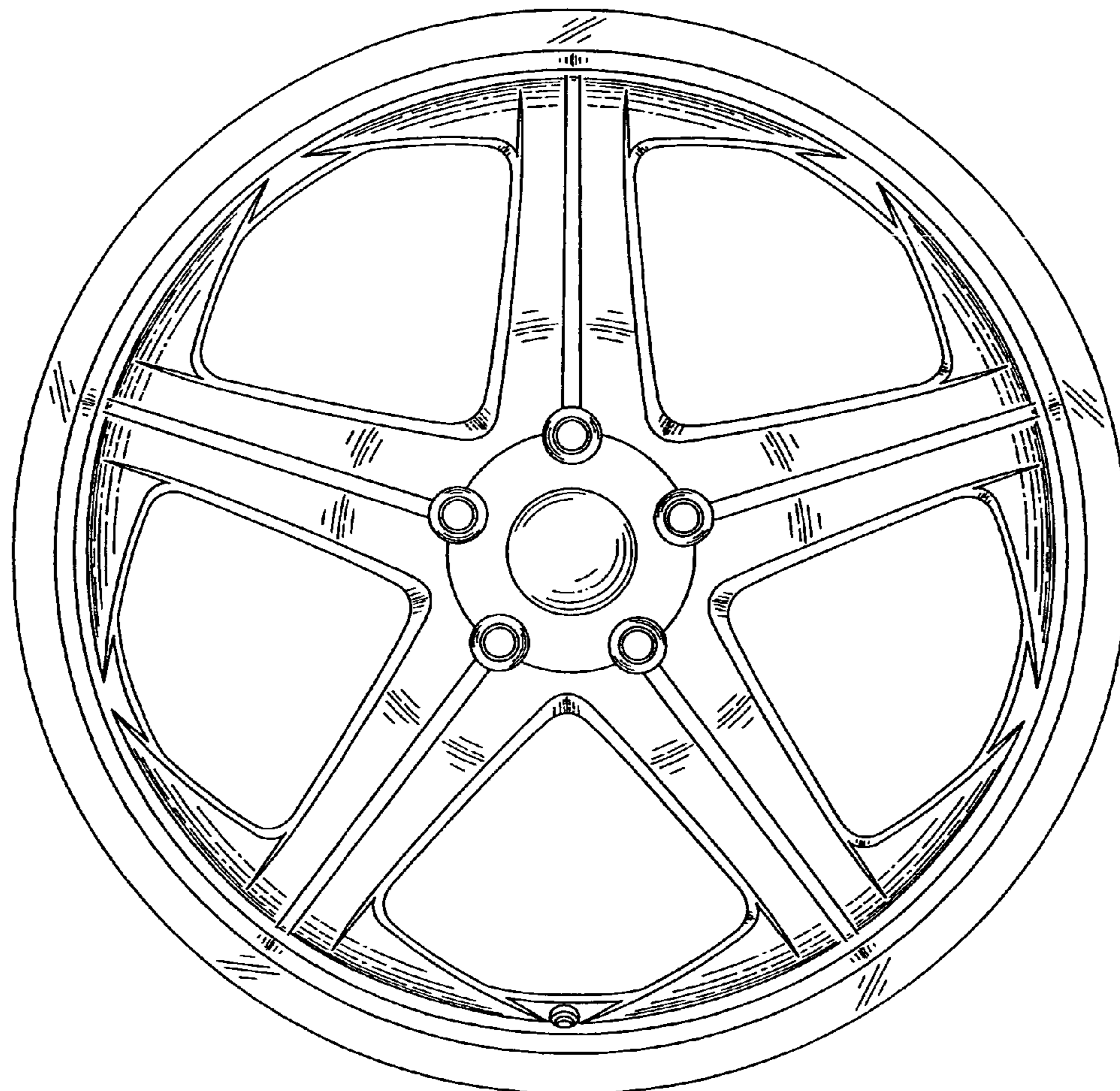
DESCRIPTION

FIG. 1 is a perspective view of an automotive wheel showing my new design; and,

FIG. 2 is a front elevational view of an automotive wheel showing the design herein described.

The broken lines showing the environment are for illustrative purposes only, and form no part of the claimed design.

1 Claim, 2 Drawing Sheets



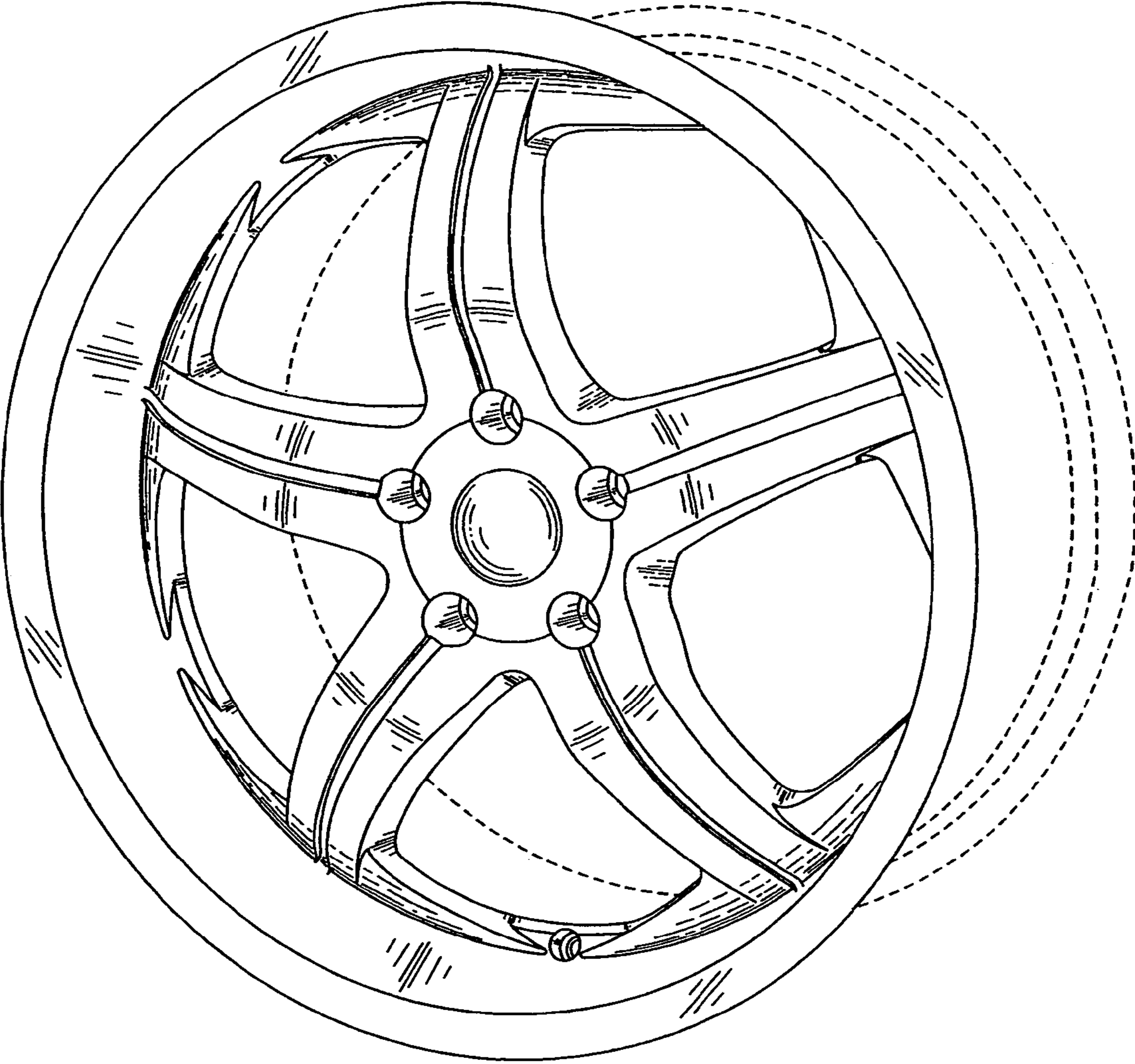


Fig. 1

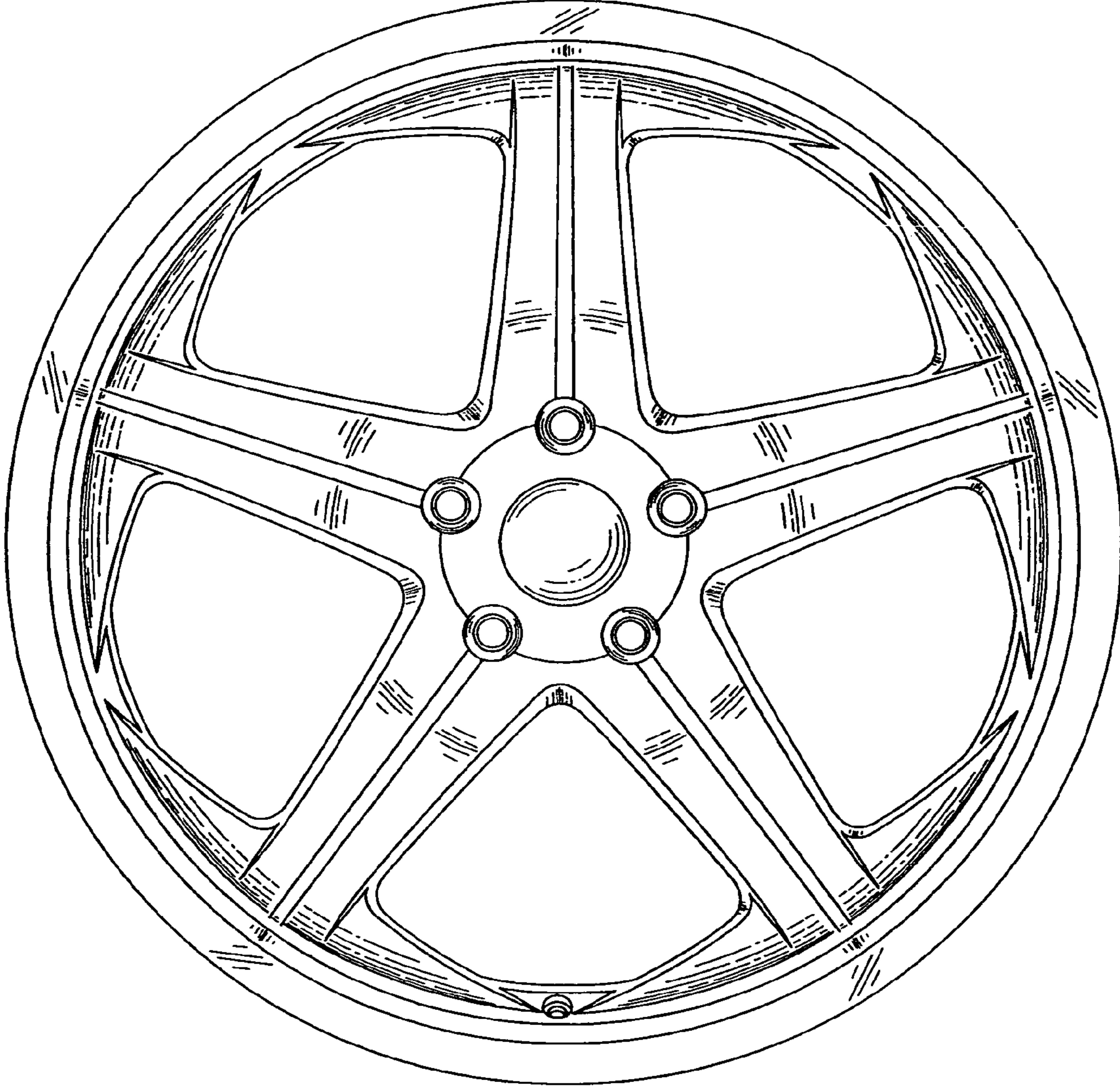


Fig. 2