



US00D548151S

(12) **United States Design Patent**  
**Chiang**

(10) **Patent No.:** **US D548,151 S**

(45) **Date of Patent:** **\*\* Aug. 7, 2007**

(54) **ENGINE HOOD FOR AUTOMOBILES**

D502,902 S \* 3/2005 Chiang ..... D12/173

D508,665 S \* 8/2005 Chan ..... D12/173

D522,939 S \* 6/2006 Chiang ..... D12/173

(75) Inventor: **Tommy Chiang**, Taipei (TW)

(73) Assignee: **Grand HC Auto Tooling Corp.**, Taipei (TW)

\* cited by examiner

*Primary Examiner*—Melody N. Brown

(74) *Attorney, Agent, or Firm*—Troxell Law Office, PLLC

(\*\*) Term: **14 Years**

(21) Appl. No.: **29/266,532**

(57) **CLAIM**

(22) Filed: **Sep. 25, 2006**

The ornamental design for an engine hood for automobiles, as shown and described.

(51) **LOC (8) Cl.** ..... **12-16**

(52) **U.S. Cl.** ..... **D12/173**

(58) **Field of Classification Search** ..... D12/173,  
D12/96, 90-92; 180/69.2, 69.21, 69.22,  
180/69.25

See application file for complete search history.

**DESCRIPTION**

FIG. 1 is a perspective view of an engine hood for automobiles showing my new design;

FIG. 2 is a front view thereof;

FIG. 3 is a rear view thereof;

FIG. 4 is a left side view thereof;

FIG. 5 is a right side view thereof;

FIG. 6 is a top view thereof; and,

FIG. 7 is a bottom view thereof.

(56) **References Cited**

U.S. PATENT DOCUMENTS

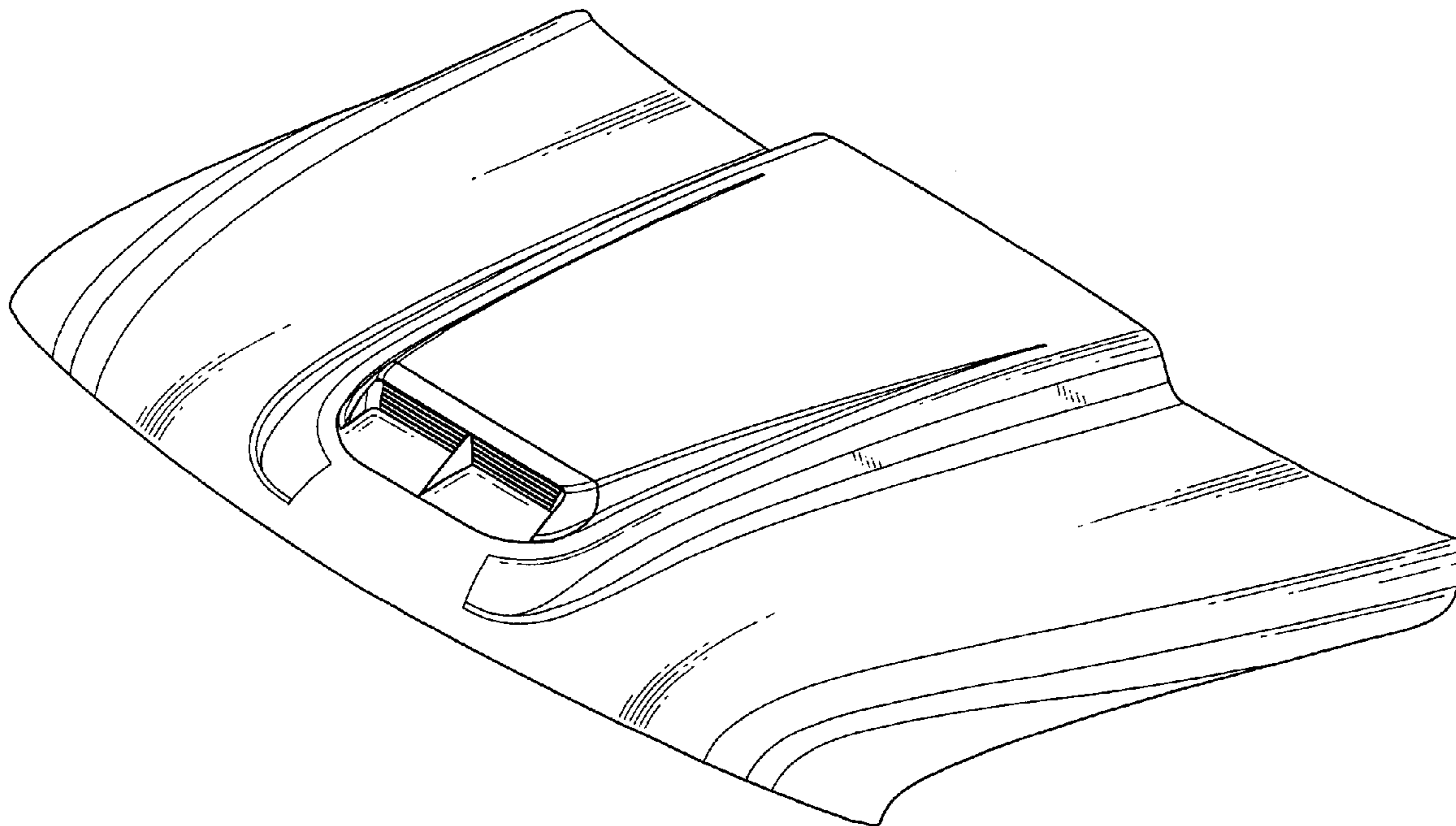
D391,909 S \* 3/1998 Wittine ..... D12/173

D399,463 S \* 10/1998 Grabo et al. .... D12/173

D399,464 S \* 10/1998 Grabo et al. .... D12/173

D499,992 S \* 12/2004 Chan ..... D12/173

**1 Claim, 5 Drawing Sheets**



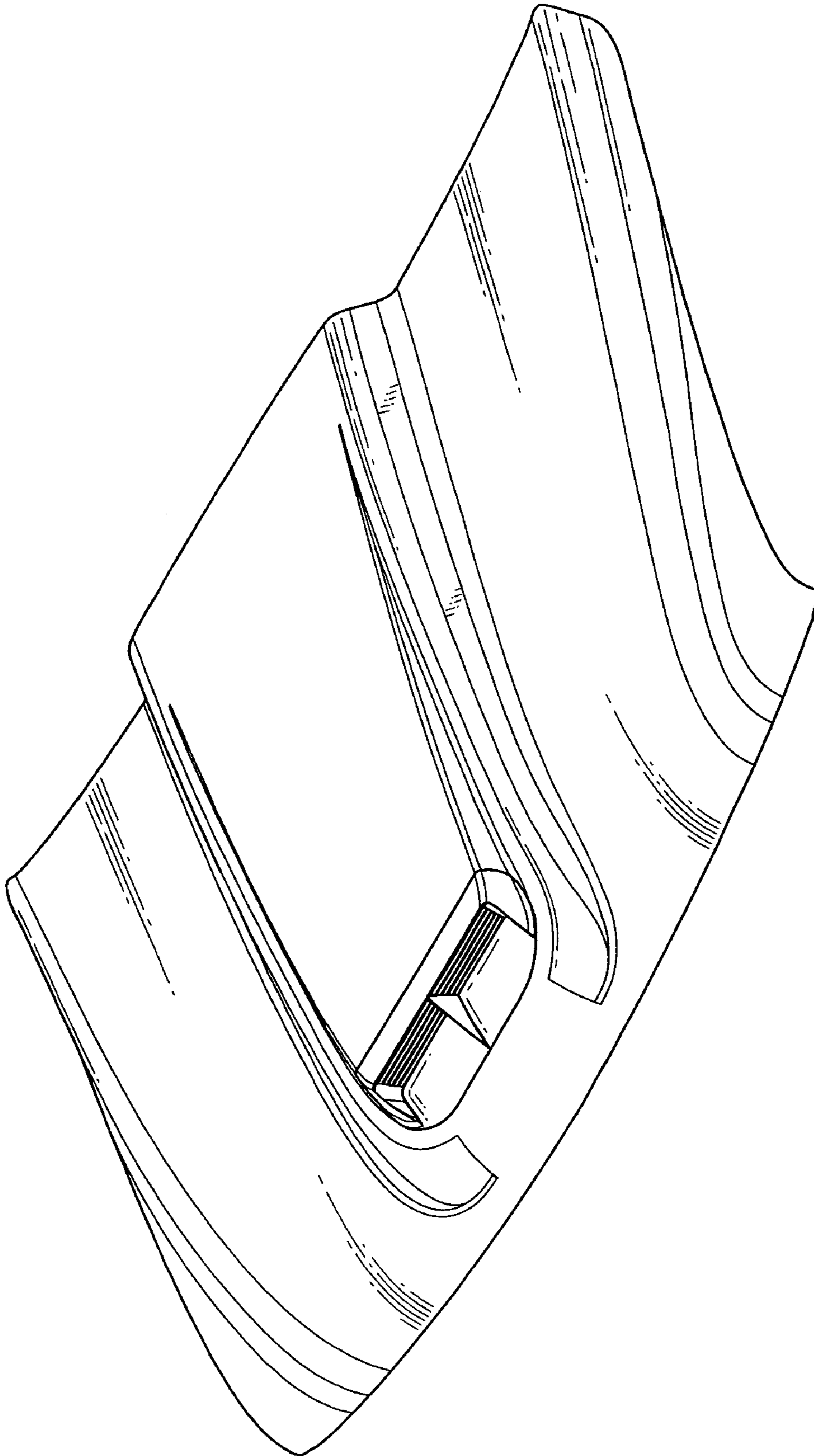


FIG. 1

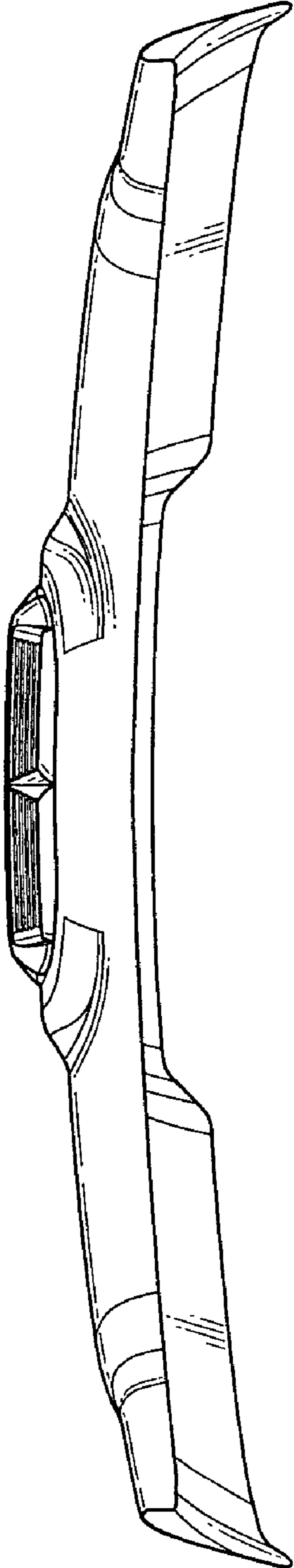


FIG. 2

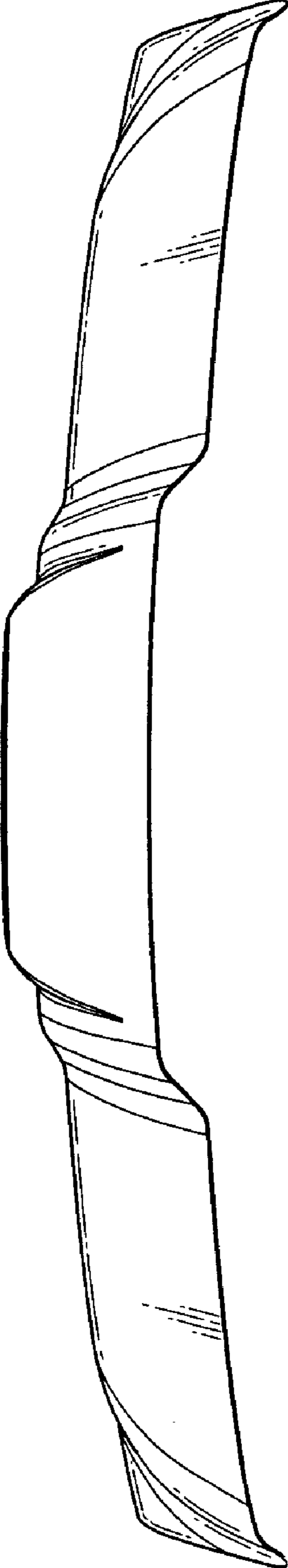


FIG. 3

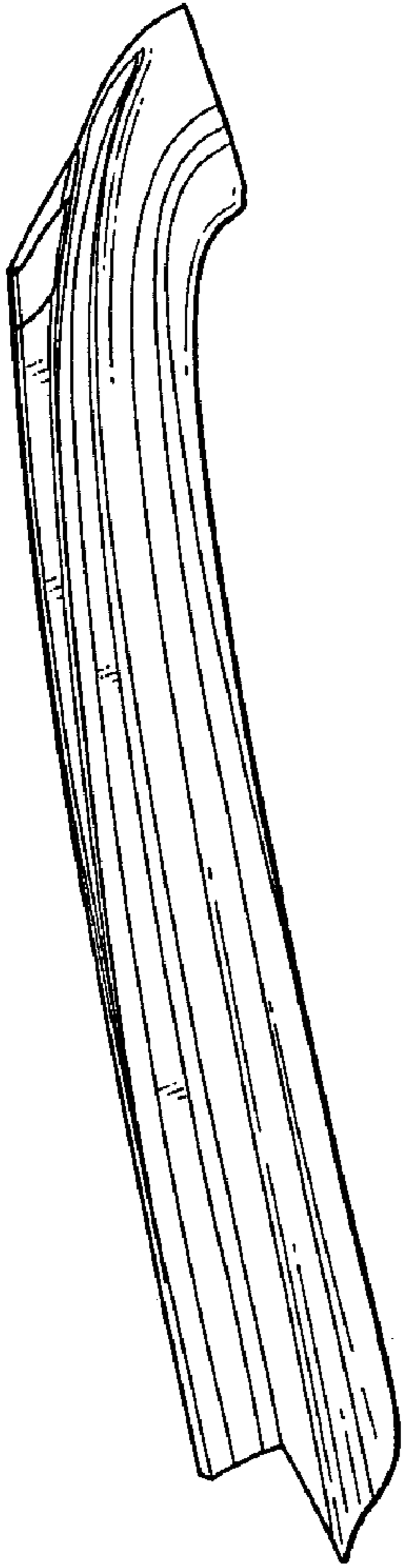


FIG. 4

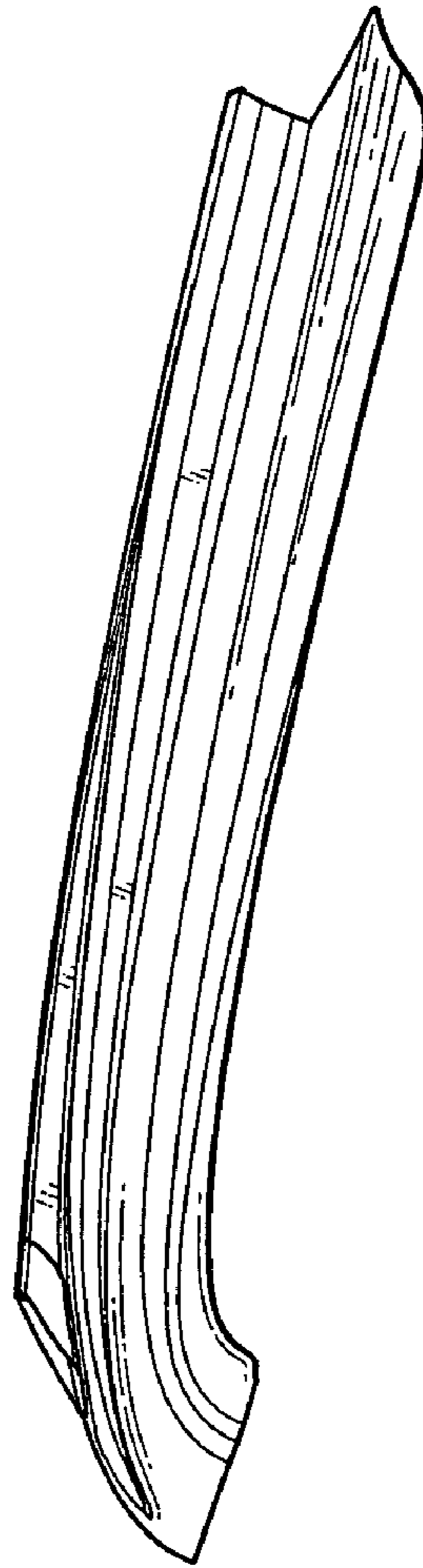


FIG. 5

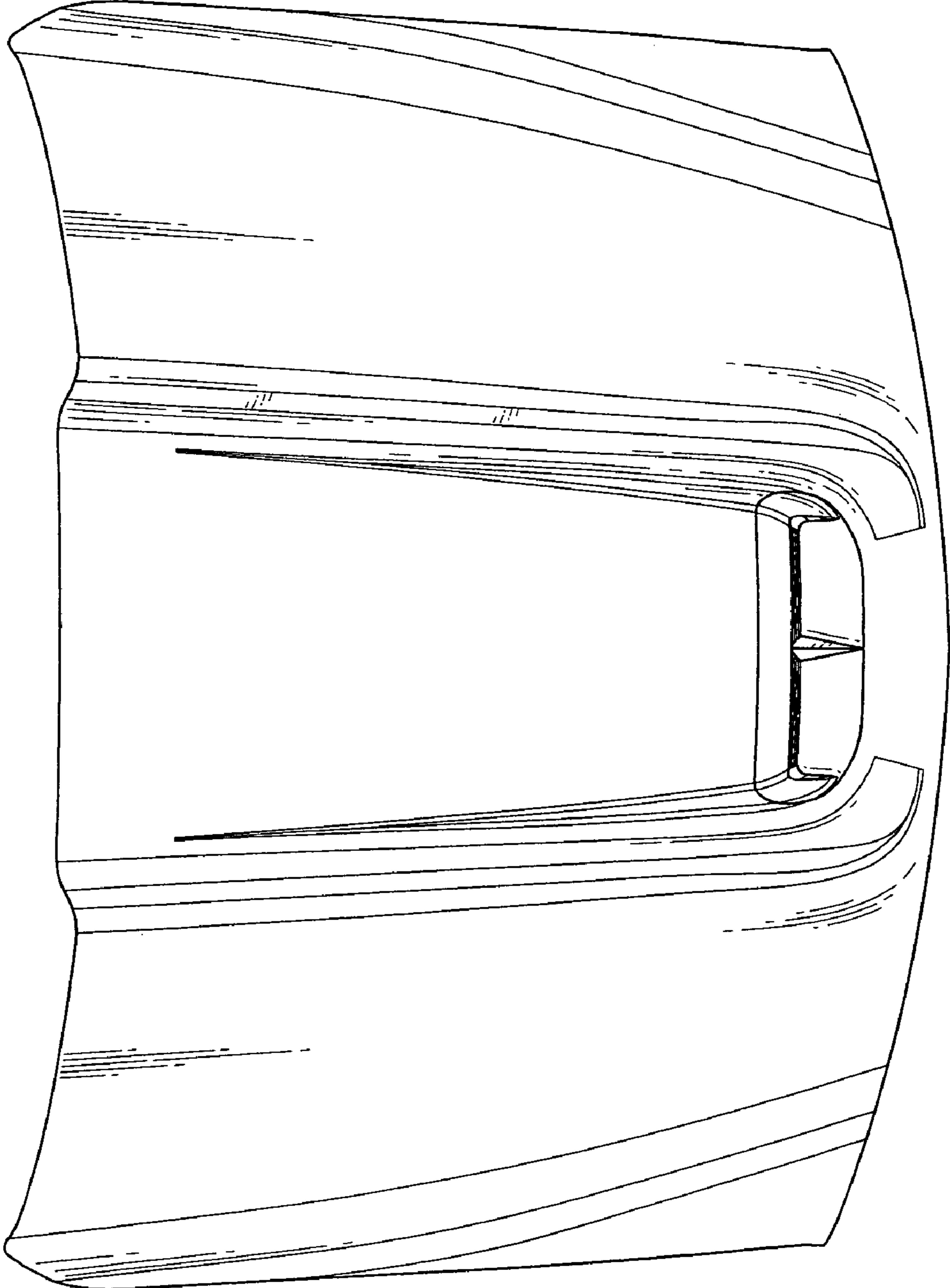


FIG. 6

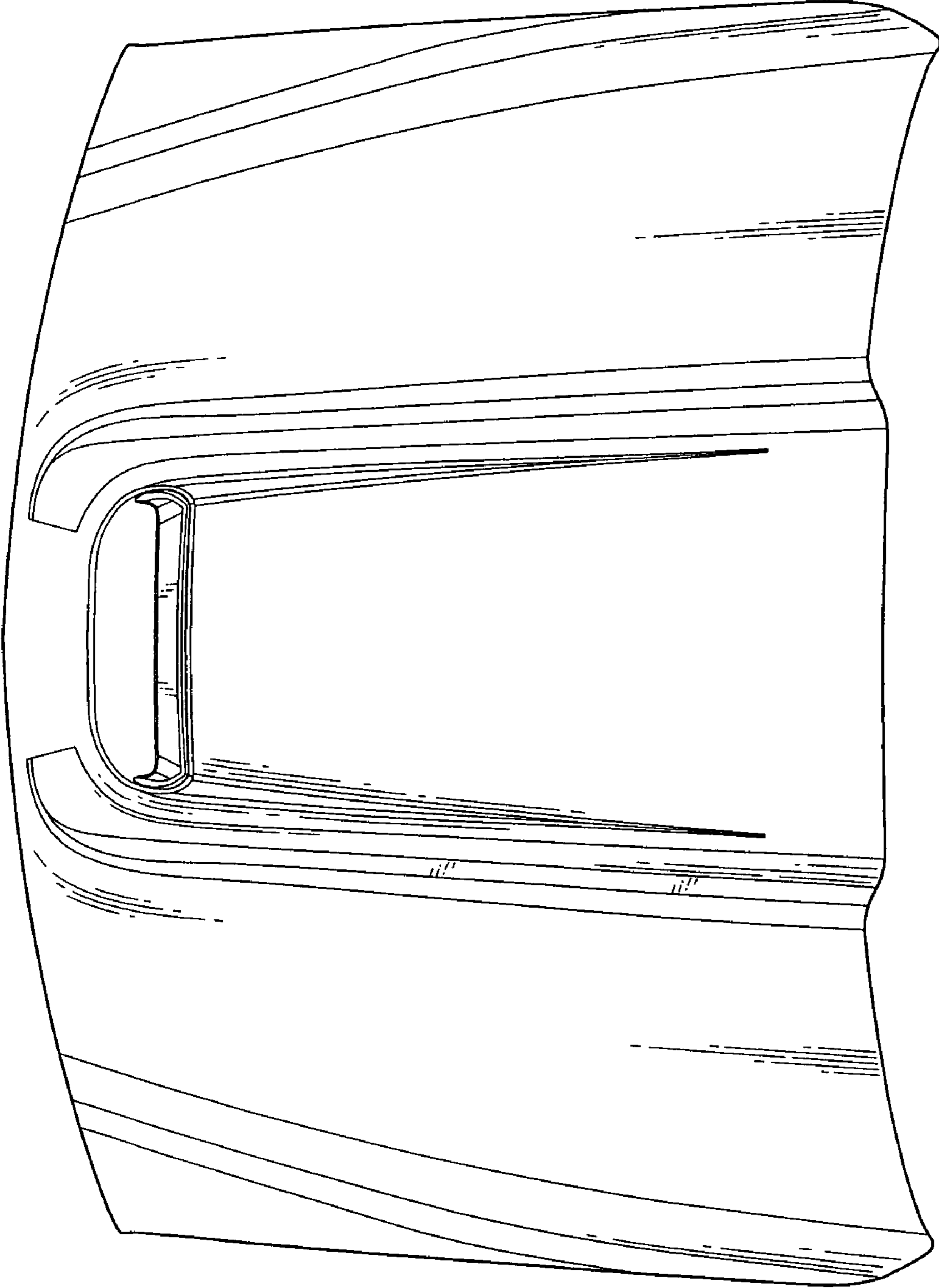


FIG. 7