

US00D548150S

(12) **United States Design Patent**
Woodard, Jr. et al.

(10) **Patent No.:** **US D548,150 S**

(45) **Date of Patent:** **** Aug. 7, 2007**

(54) **VEHICLE BODY FRONT**

(75) Inventors: **Roy Linwood Woodard, Jr.**,
Statesboro, GA (US); **James Marvin**
Stenz, Fenton, MI (US); **Dean Jayson**
Long, Bradenton, FL (US); **Daniel**
Steven Genord, South Lyon, MI (US)

(73) Assignee: **Club Car, Inc.**, Augusta, GA (US)

(**) Term: **14 Years**

(21) Appl. No.: **29/264,257**

(22) Filed: **Aug. 7, 2006**

(51) **LOC (8) Cl.** **12-16**

(52) **U.S. Cl.** **D12/173**

(58) **Field of Classification Search** D12/90-92,
D12/173, 196, 86; 180/69.21, 69.2, 69.22;
296/24.4

See application file for complete search history.

(56) **References Cited**

U.S. PATENT DOCUMENTS

- D371,372 S 7/1996 Westimayer et al.
- D427,205 S 6/2000 Shimizu
- D436,557 S 1/2001 Selby et al.
- 6,186,584 B1 2/2001 Samuelson et al.
- D447,492 S 9/2001 Goebert et al.
- D449,806 S 10/2001 VanderMolen
- D450,277 S * 11/2001 Onopa D12/173

- D458,945 S 6/2002 Hohnl et al.
- D466,531 S 12/2002 Hohnl et al.
- D467,202 S * 12/2002 Mondragon Sarmiento
et al. D12/96
- D502,132 S 2/2005 Bonner et al.
- D502,901 S * 3/2005 Delashaw et al. D12/173
- D504,642 S * 5/2005 Perfetti et al. D12/173
- D536,287 S * 2/2007 Beigel et al. D12/173

* cited by examiner

Primary Examiner—Melody N. Brown

(74) *Attorney, Agent, or Firm*—Michael Best Friedrich LLP

(57) **CLAIM**

We claim the ornamental design for a vehicle body front, as shown and described.

DESCRIPTION

FIG. 1 is a perspective view of a vehicle body front showing our new design;

FIG. 2 is a front elevational view thereof;

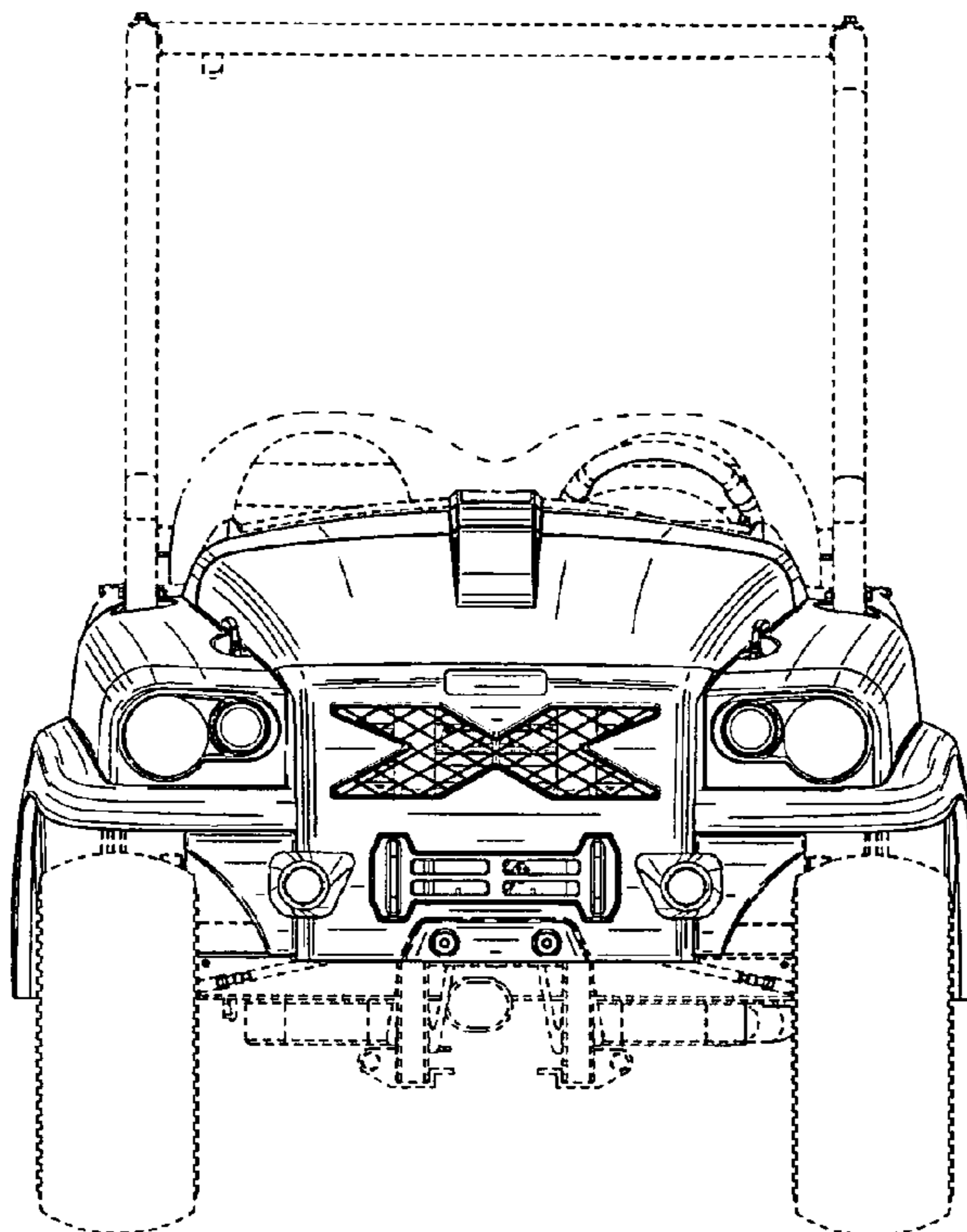
FIG. 3 is a right side elevational view thereof;

FIG. 4 is a left side elevational view thereof; and,

FIG. 5 is a top plan view thereof.

The structural features depicted by means of broken lines in the drawing figures have been shown for the purpose of illustrating environmental structure only and form no part of the claimed design.

1 Claim, 5 Drawing Sheets



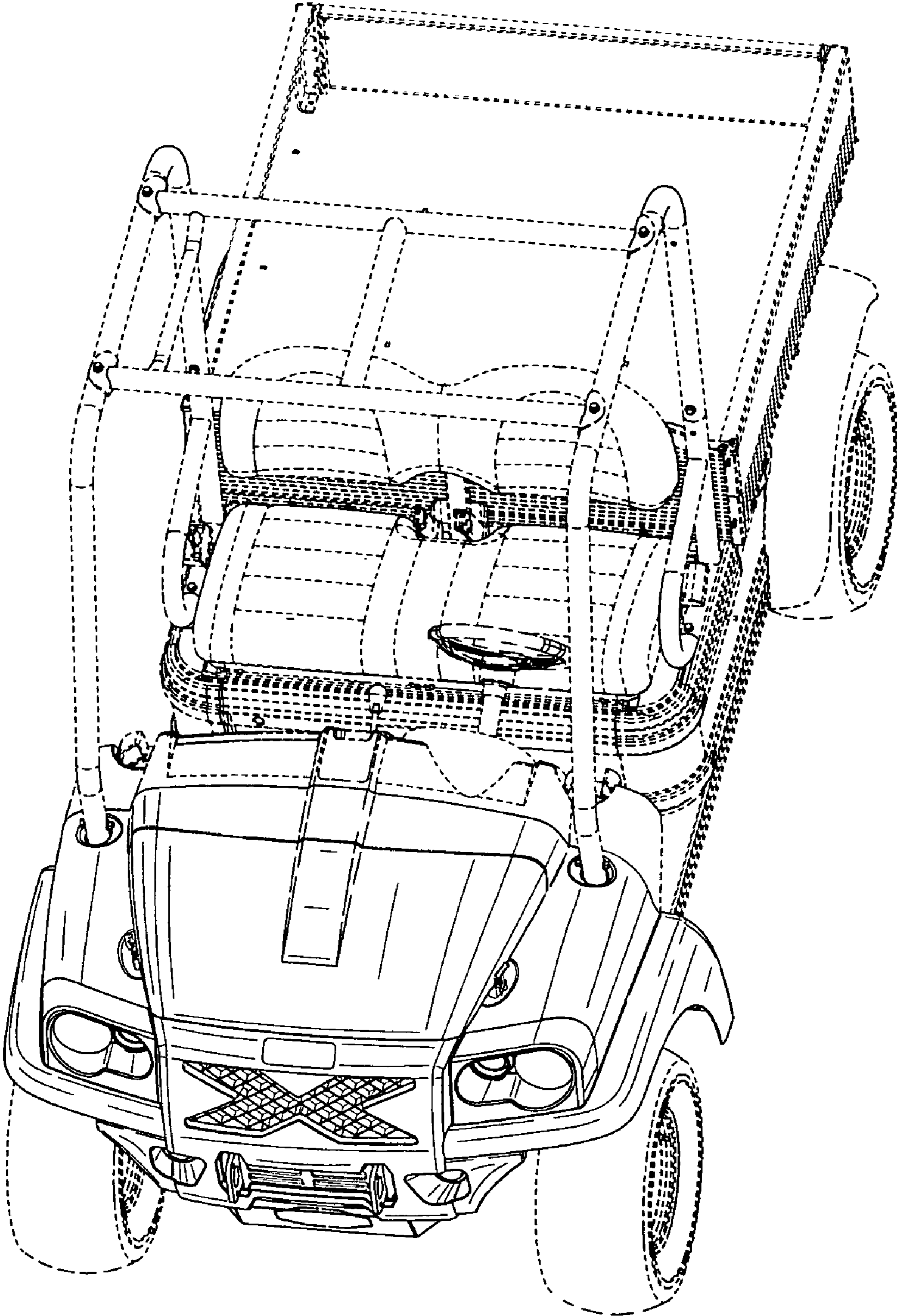


FIG. 1

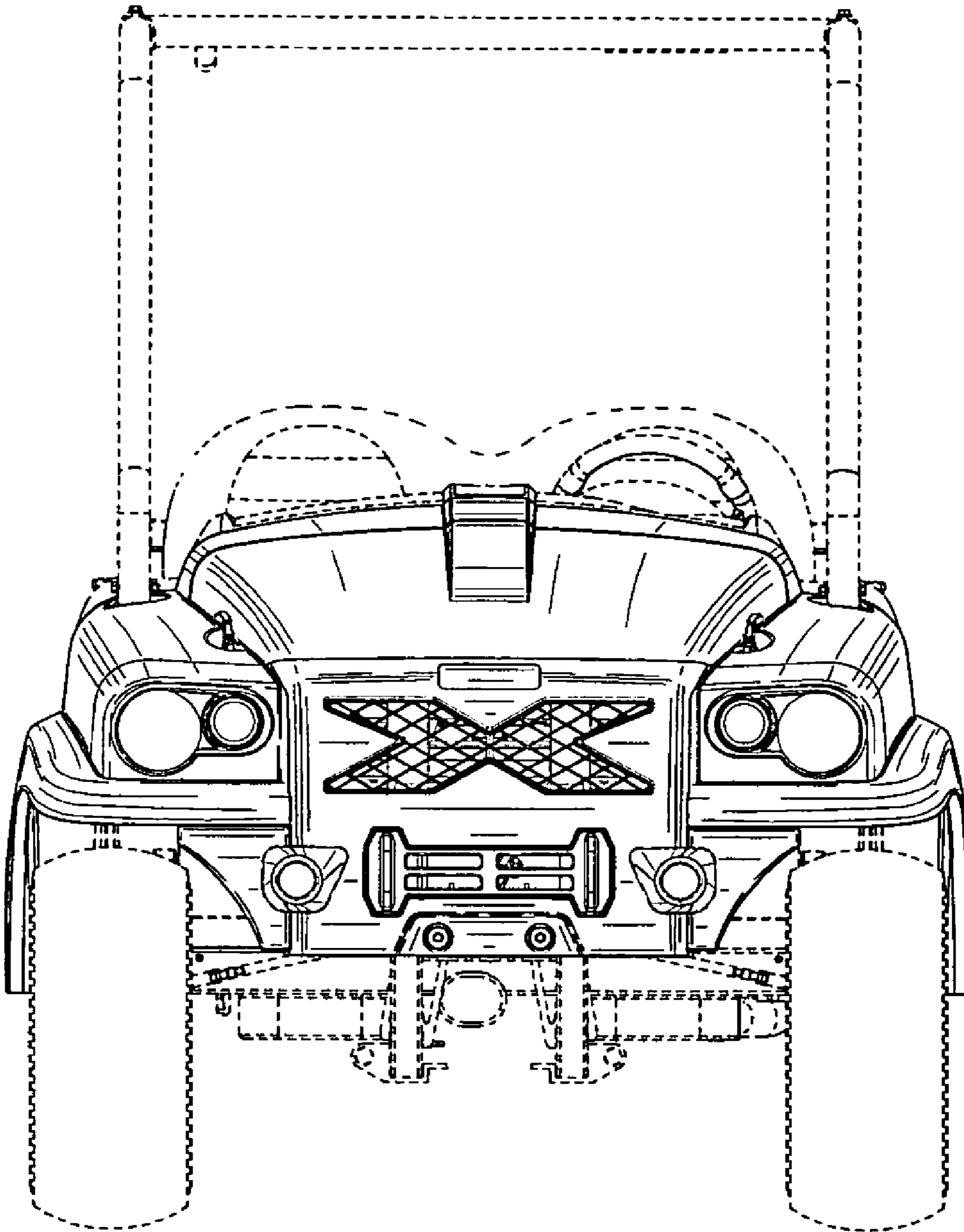


FIG. 2

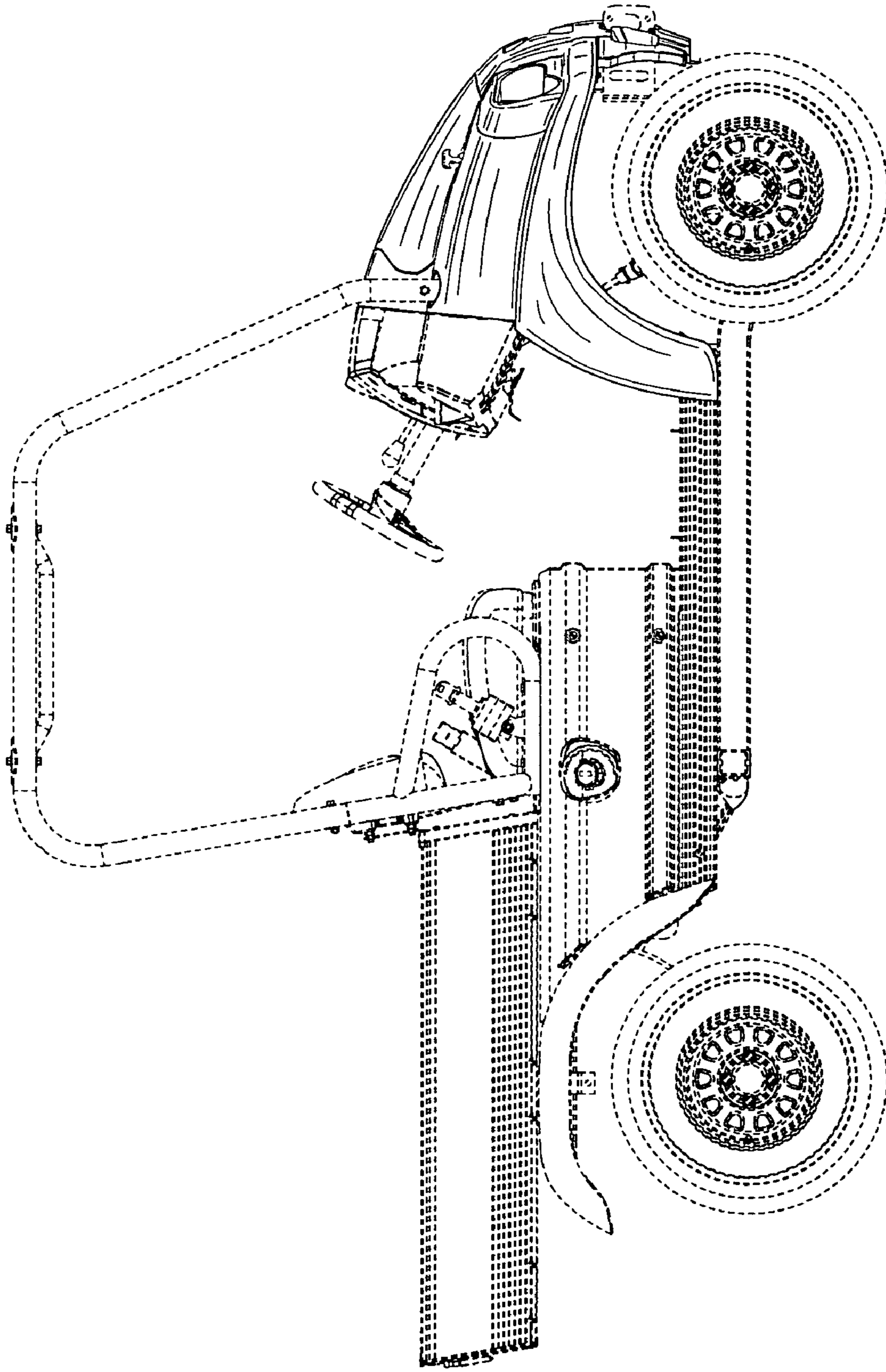


FIG. 3

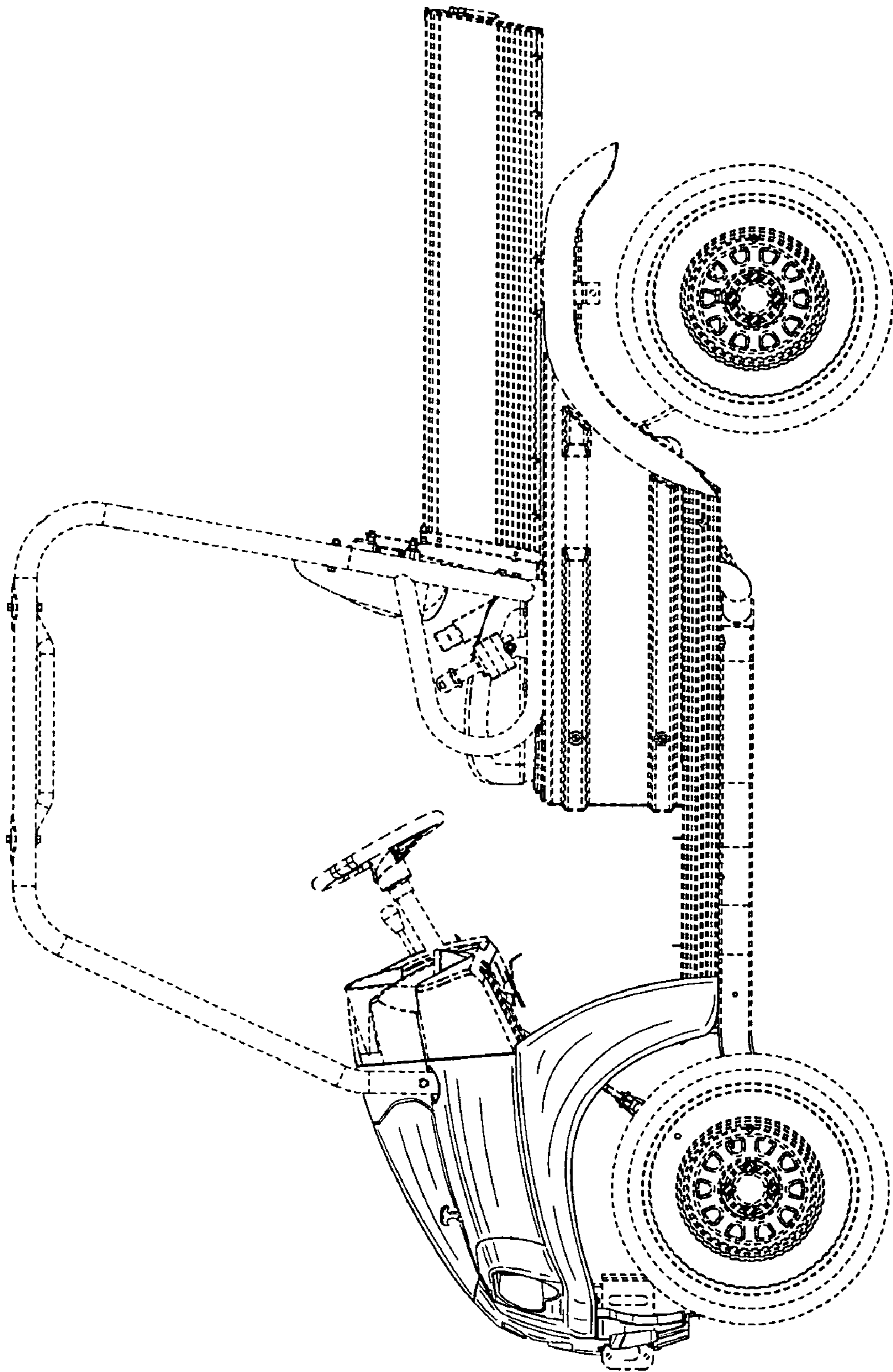


FIG. 4

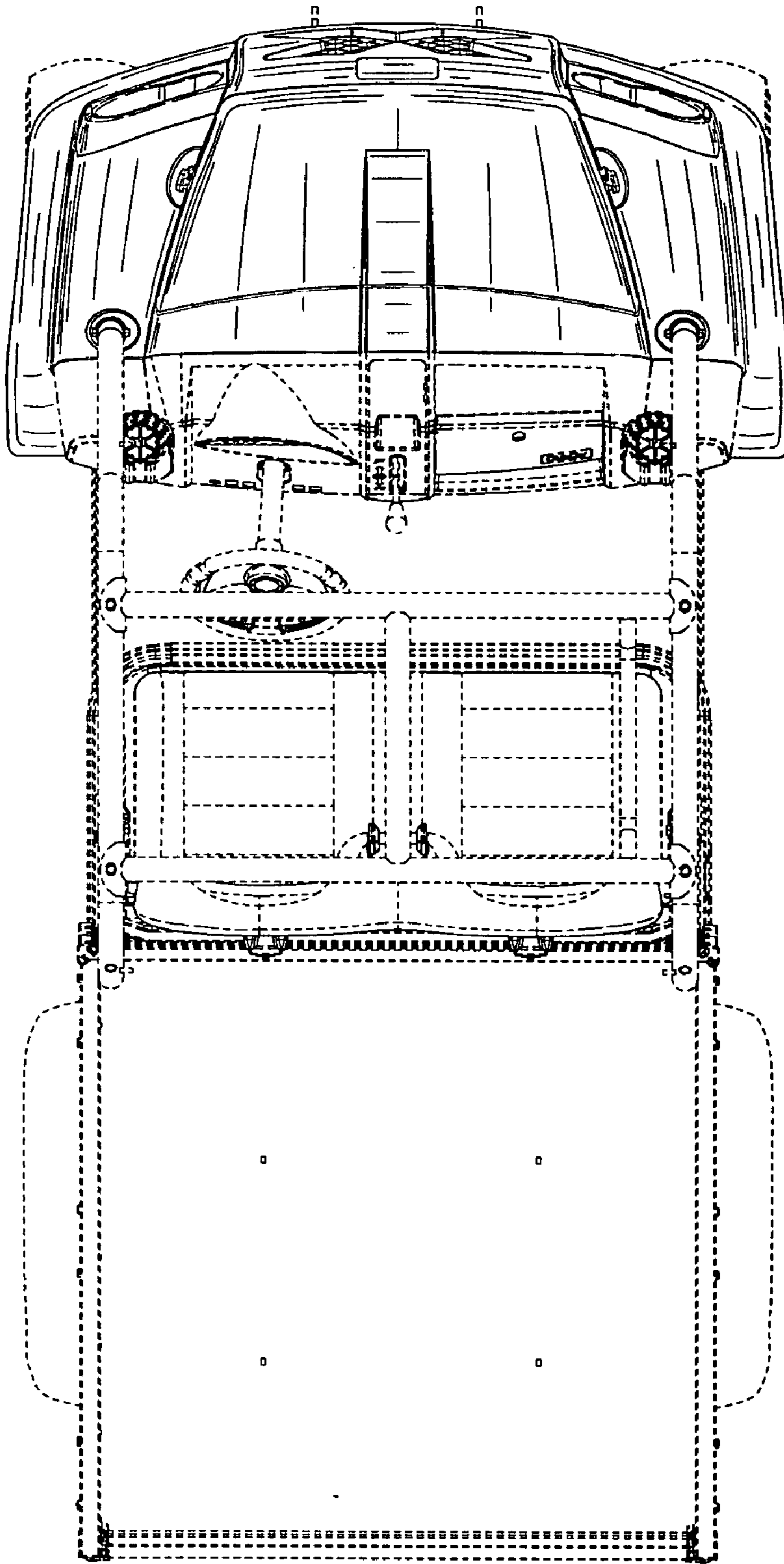


FIG. 5