

US00D548145S

(12) **United States Design Patent**
Lamarre

(10) **Patent No.:** **US D548,145 S**

(45) **Date of Patent:** **** Aug. 7, 2007**

(54) **VEHICLE FRONT BUMPER**

(75) Inventor: **Simon Lamarre**, Vdstra Frvlunda (SE)

(73) Assignee: **Ford Global Technologies, LLC**,
Dearborn, MI (US)

(**) Term: **14 Years**

(21) Appl. No.: **29/247,067**

(22) Filed: **May 26, 2006**

(30) **Foreign Application Priority Data**

Nov. 29, 2005 (EM) 000440037

(51) **LOC (8) Cl.** **12-16**

(52) **U.S. Cl.** **D12/169**

(58) **Field of Classification Search** D12/90-92,
D12/86, 169, 196, 163; 296/180.1, 180.2;
293/102, 113, 115, 117, 120

See application file for complete search history.

(56) **References Cited**

U.S. PATENT DOCUMENTS

D500,270 S	*	12/2004	Otto et al.	D12/169
D503,136 S	*	3/2005	Tamiya et al.	D12/169
D525,921 S	*	8/2006	Fujiwara et al.	D12/169
D527,319 S	*	8/2006	Yakushi	D12/169

* cited by examiner

Primary Examiner—Melody N. Brown

(74) *Attorney, Agent, or Firm*—Damian Porcari

(57) **CLAIM**

The ornamental design for a vehicle front bumper, as shown and described.

DESCRIPTION

FIG. 1 is a right side front perspective view of a vehicle front bumper;

FIG. 2 is a left side front perspective view of a vehicle front bumper;

FIG. 3 is a front elevational view of the vehicle front bumper;

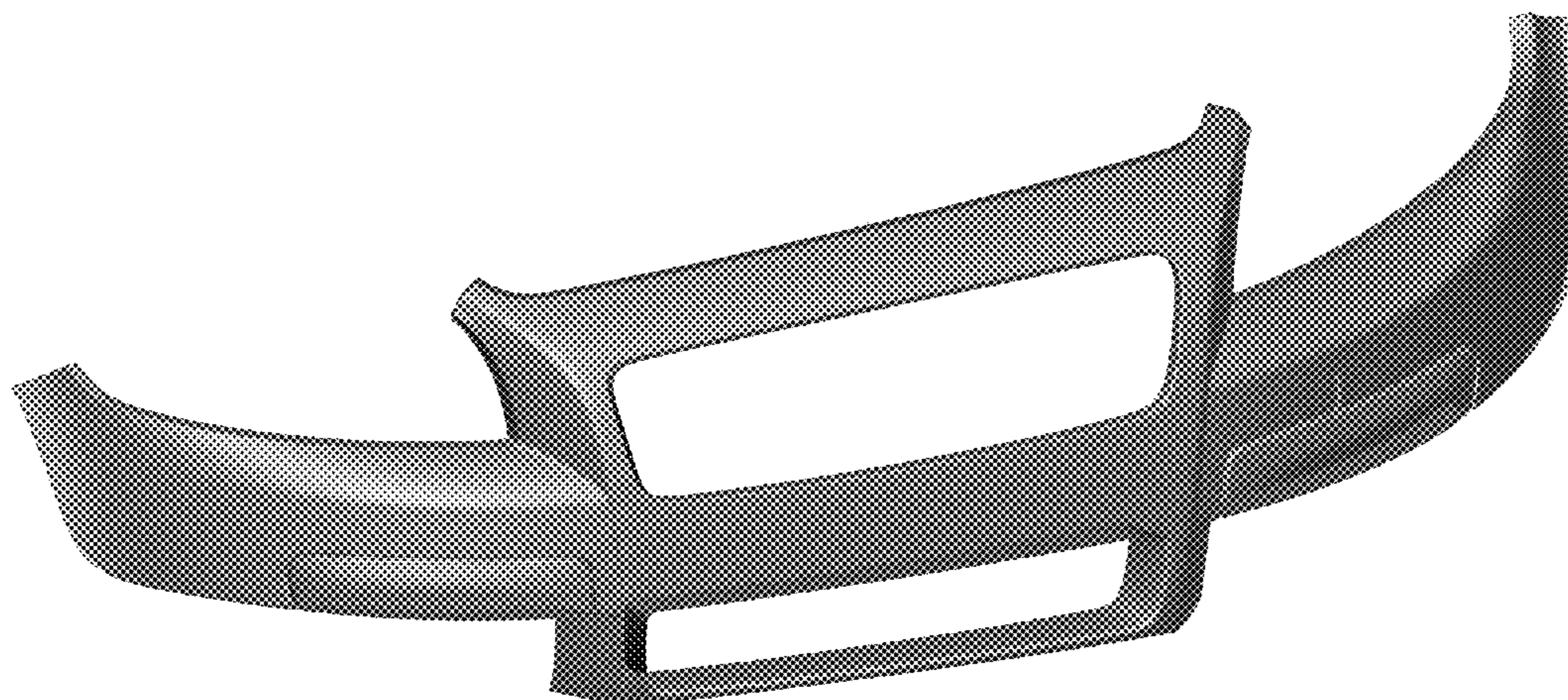
FIG. 4 is a top plan view of the vehicle front bumper;

FIG. 5 is a bottom plan view of the vehicle front bumper; and,

FIG. 6 is a left side elevational view of the vehicle front bumper (the right side view is a mirror of the left side view and is not shown).

The vehicle front fascia is designed to blend with surfaces of adjacent vehicle panels. To the extent that any feature lines are illustrated, they are intended to illustrate the crest and valley of the feature and are not necessarily sharp bends in the part. Shading is used to illustrate the curvature of the part and not color.

1 Claim, 6 Drawing Sheets



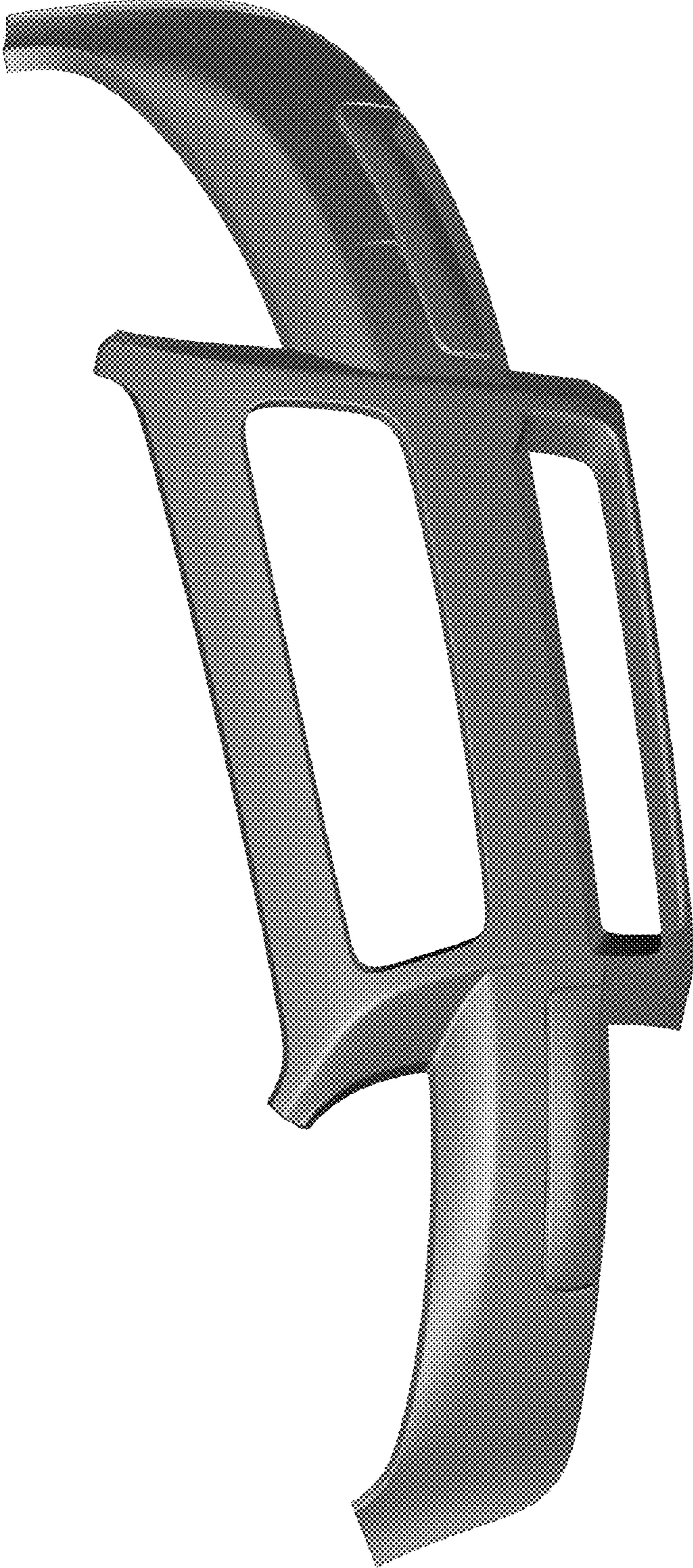


Figure 1

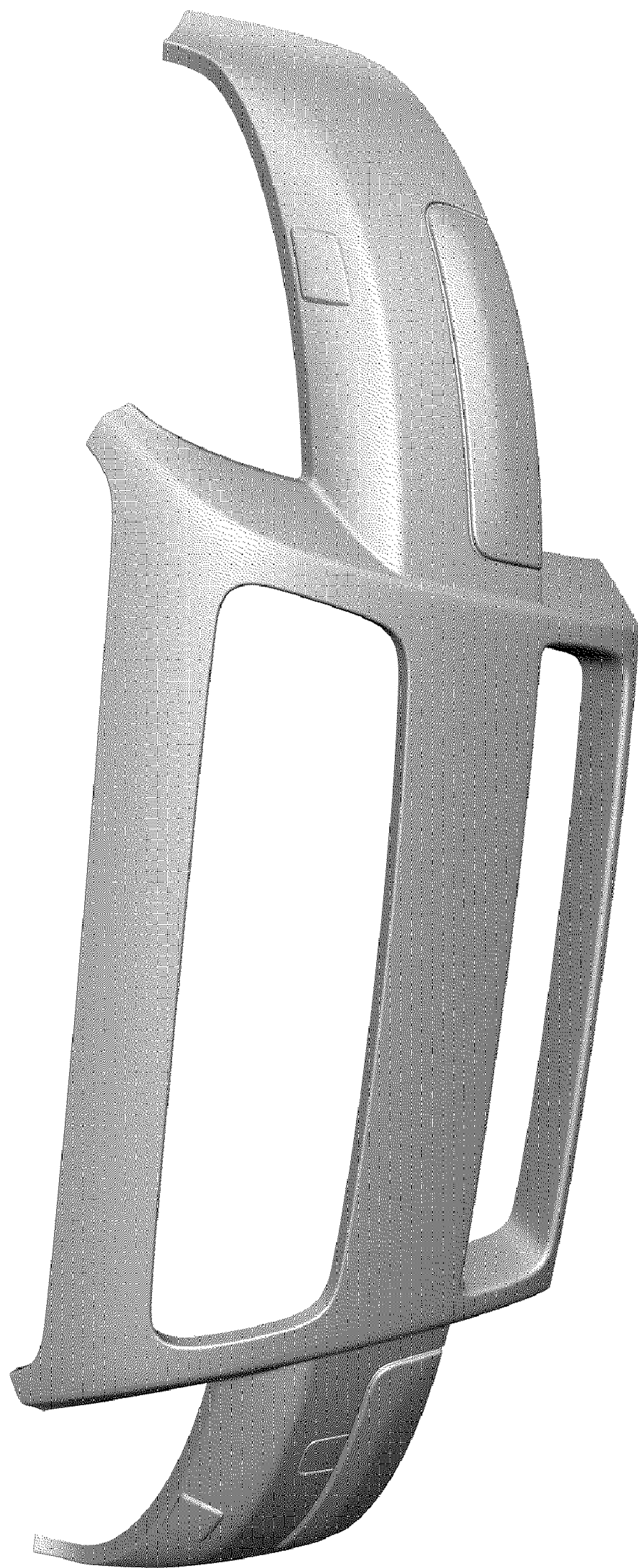


Figure 2

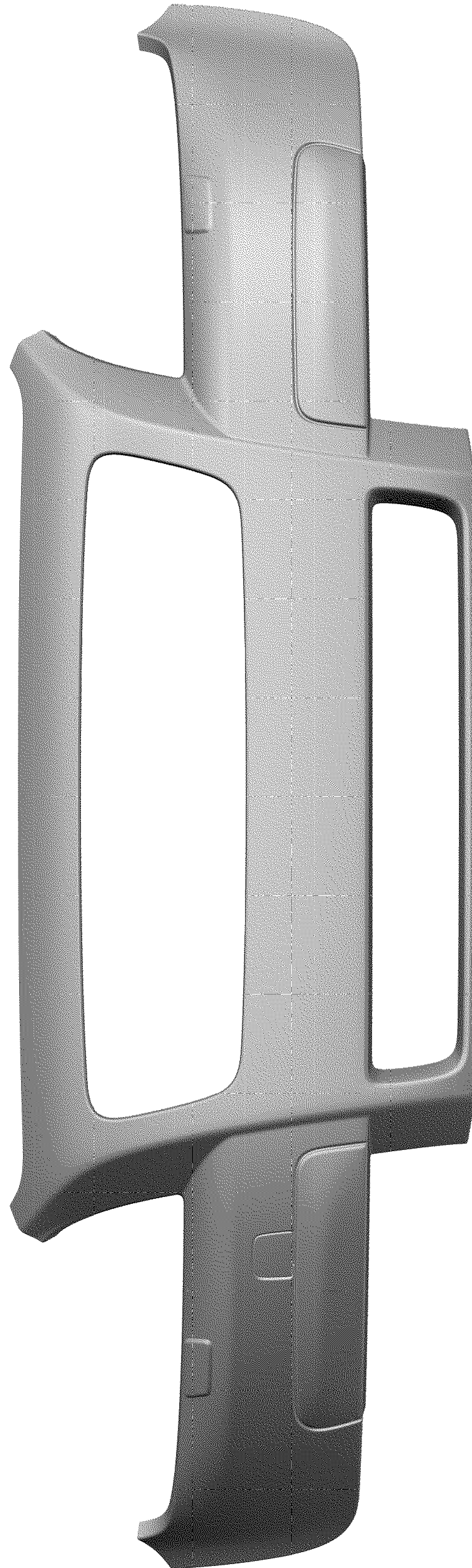


Figure 3



Figure 4

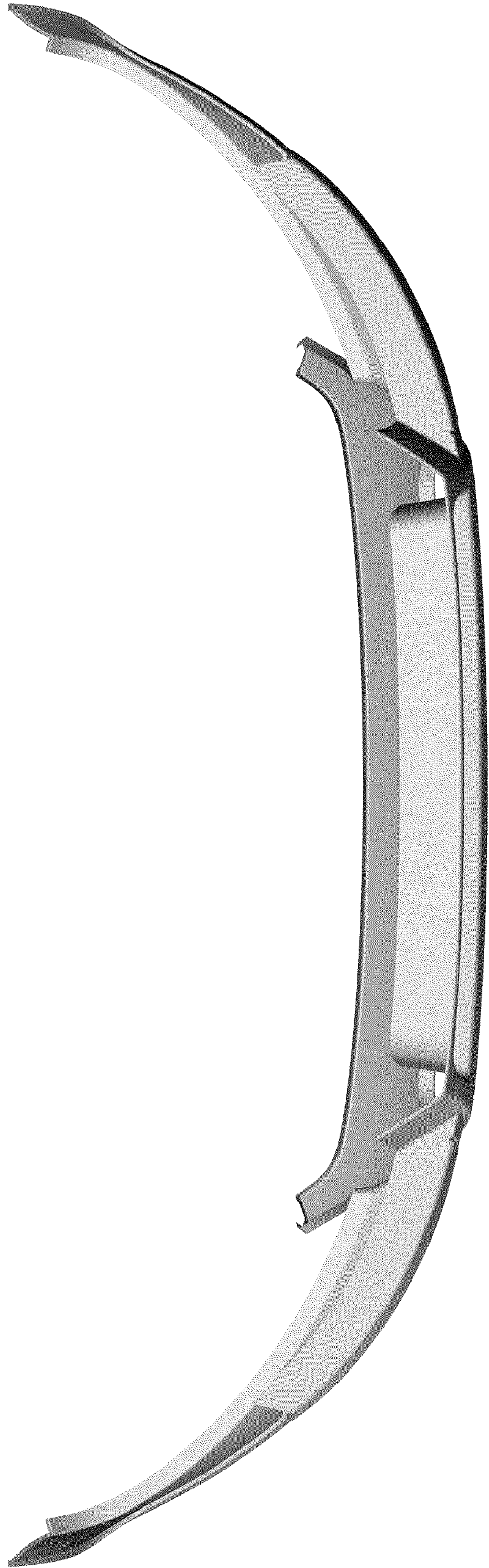


Figure 5

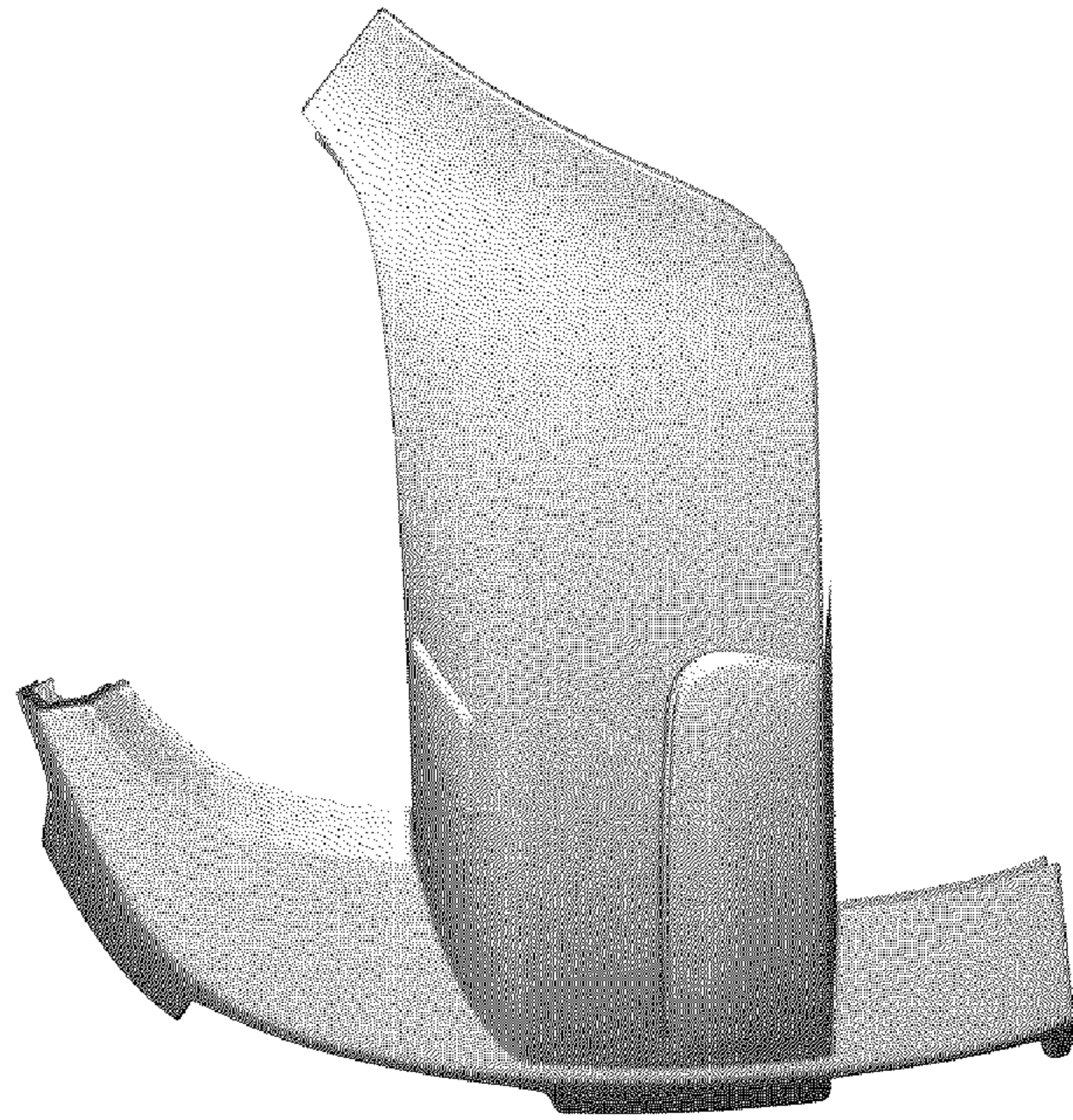


Figure 6