

US00D548143S

(12) **United States Design Patent**
Chen

(10) **Patent No.:** **US D548,143 S**

(45) **Date of Patent:** **** Aug. 7, 2007**

(54) **STEM**

(76) Inventor: **Chao-Hu Chen**, 5F,-2, No. 181, Sec. 2,
Mei Tsun Rd., South District, Taichung
City (TW)

(**) Term: **14 Years**

(21) Appl. No.: **29/253,741**

(22) Filed: **Feb. 13, 2006**

(51) **LOC (8) Cl.** **12-11**

(52) **U.S. Cl.** **D12/118**

(58) **Field of Classification Search** D12/111,
D12/117, 118, 178; 280/279, 280; 403/24,
403/190, 191, 289, 207, 290, 359, 373; 74/551.1-551.9
See application file for complete search history.

(56) **References Cited**

U.S. PATENT DOCUMENTS

5,465,634 A * 11/1995 Chen 74/551.3

OTHER PUBLICATIONS

Bike nashbar 2001 Summer Catalog No. 158, Zoom Adjustable
ATB Stem on p. 59.*

Colorado Cyclist Winter 2003, LOOK Ergostem HSC on p. 29.*

* cited by examiner

Primary Examiner—Alan P. Douglas

Assistant Examiner—Linda Brooks

(74) *Attorney, Agent, or Firm*—Rosenberg, Klein & Lee

(57) **CLAIM**

The ornamental design for a stem, as shown and described.

DESCRIPTION

FIG. 1 is a perspective view of a stem showing my new design;

FIG. 2 is a front elevational view thereof;

FIG. 3 is a rear elevational view thereof;

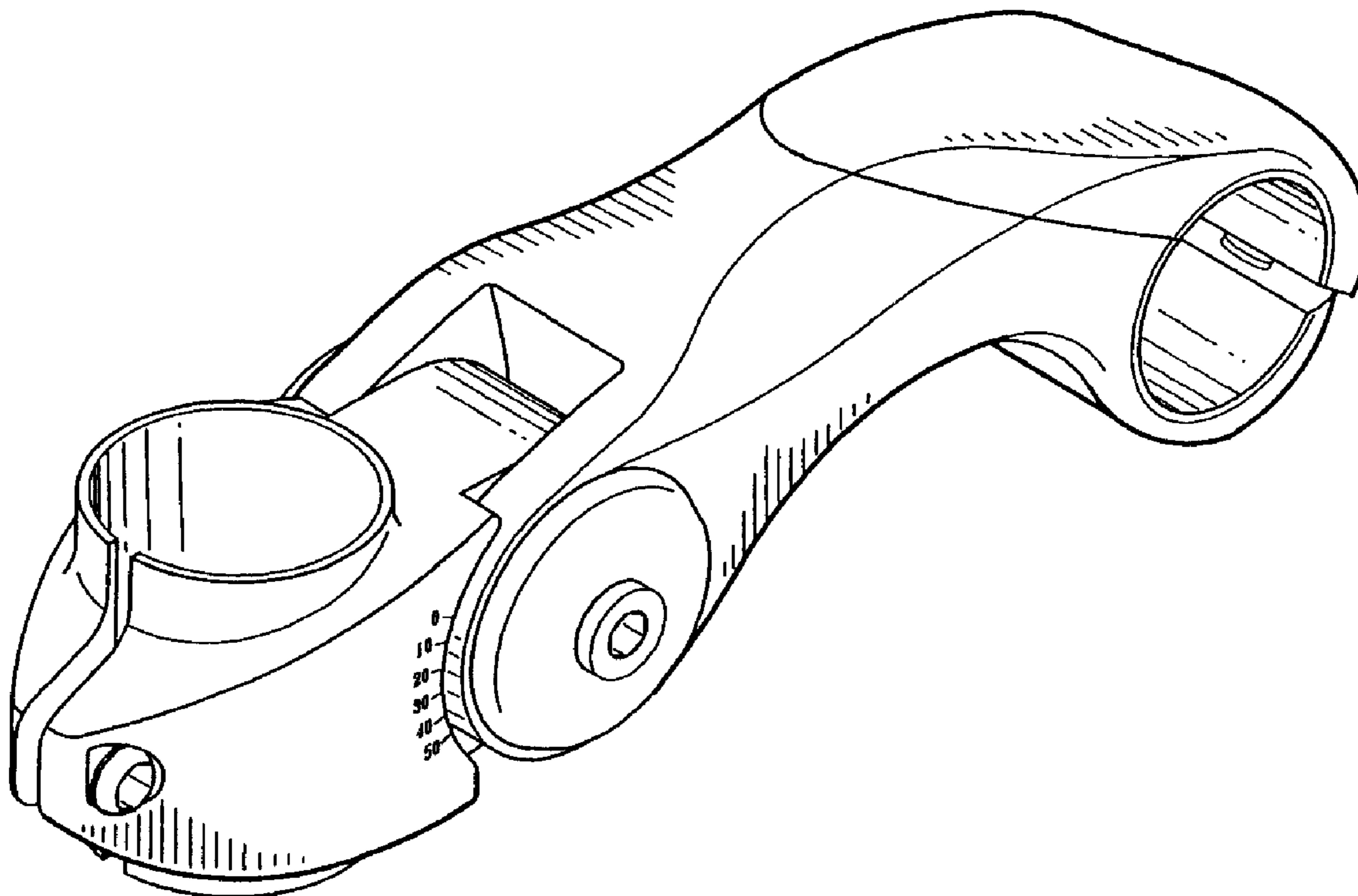
FIG. 4 is a left side view thereof;

FIG. 5 is a right side view thereof;

FIG. 6 is a top plan view thereof; and,

FIG. 7 is a bottom plan view thereof.

1 Claim, 4 Drawing Sheets



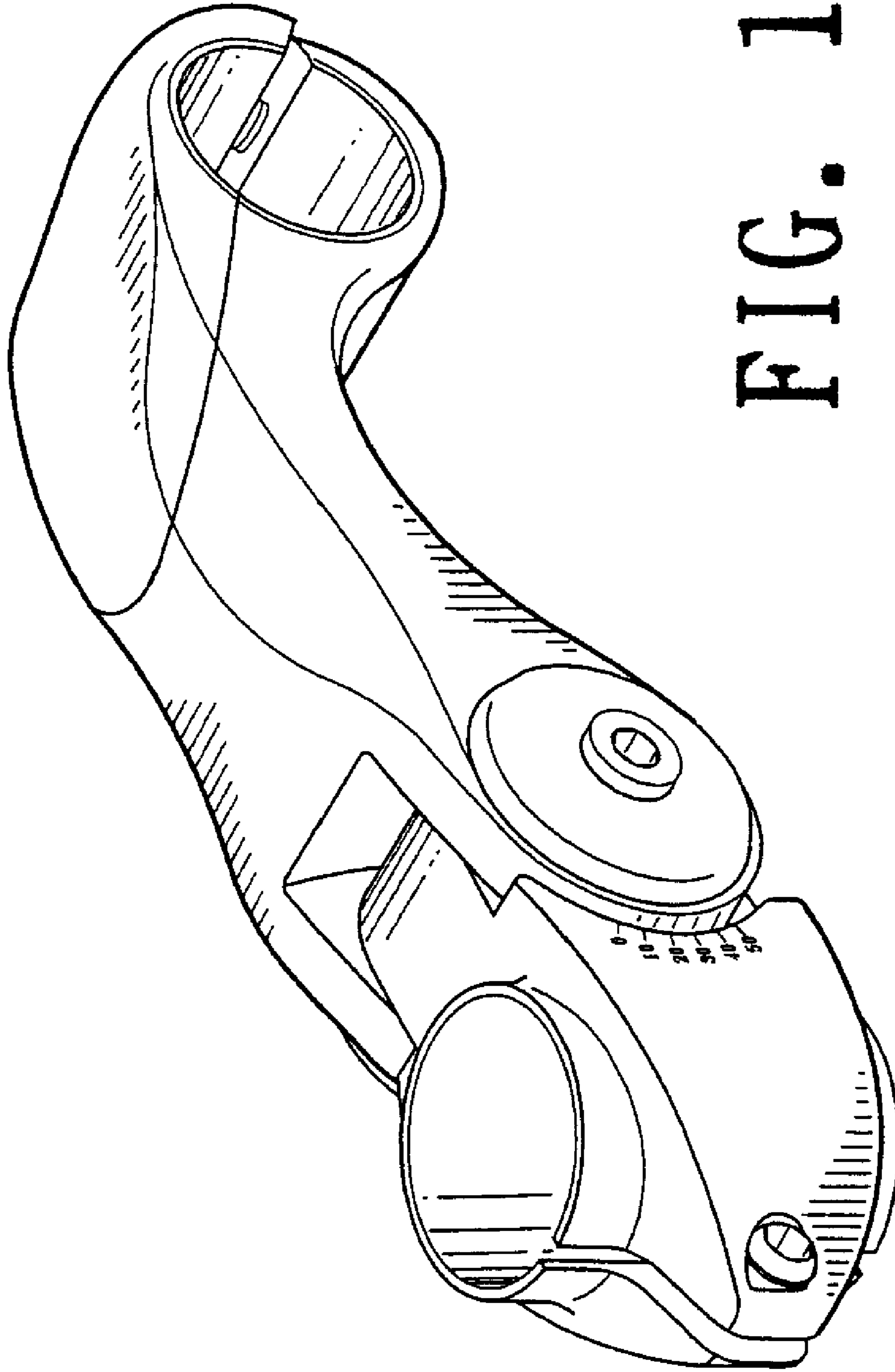


FIG. 1

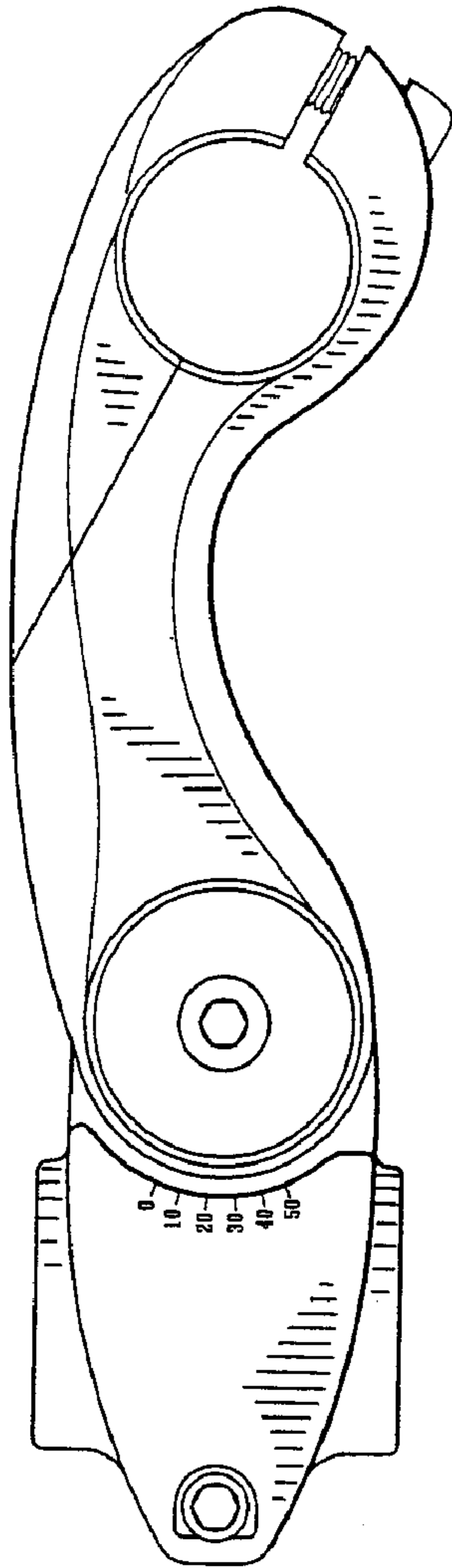


FIG. 2

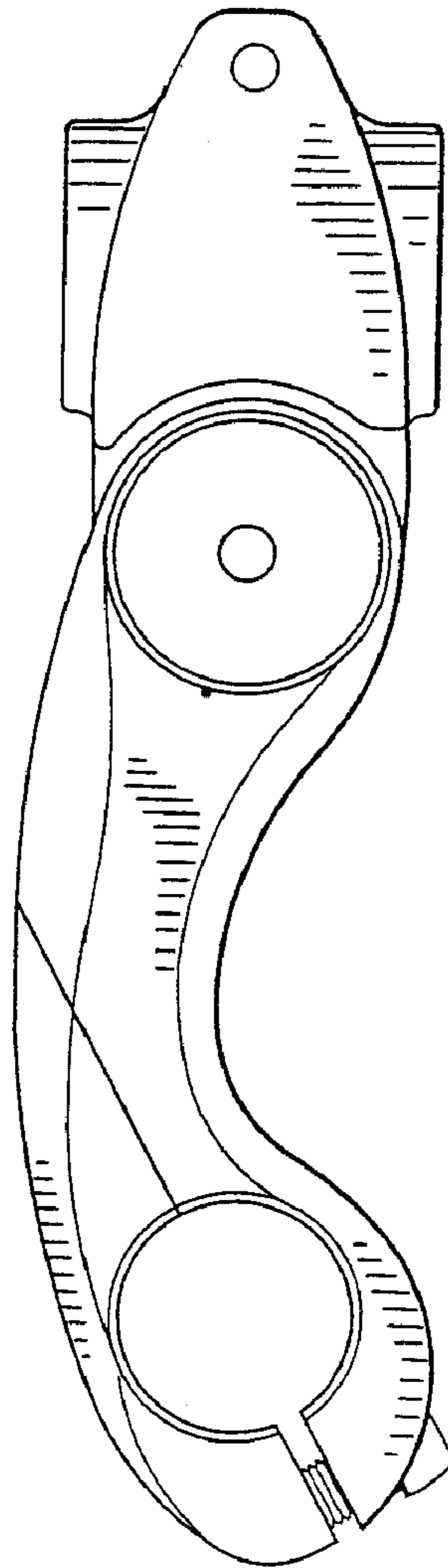


FIG. 3

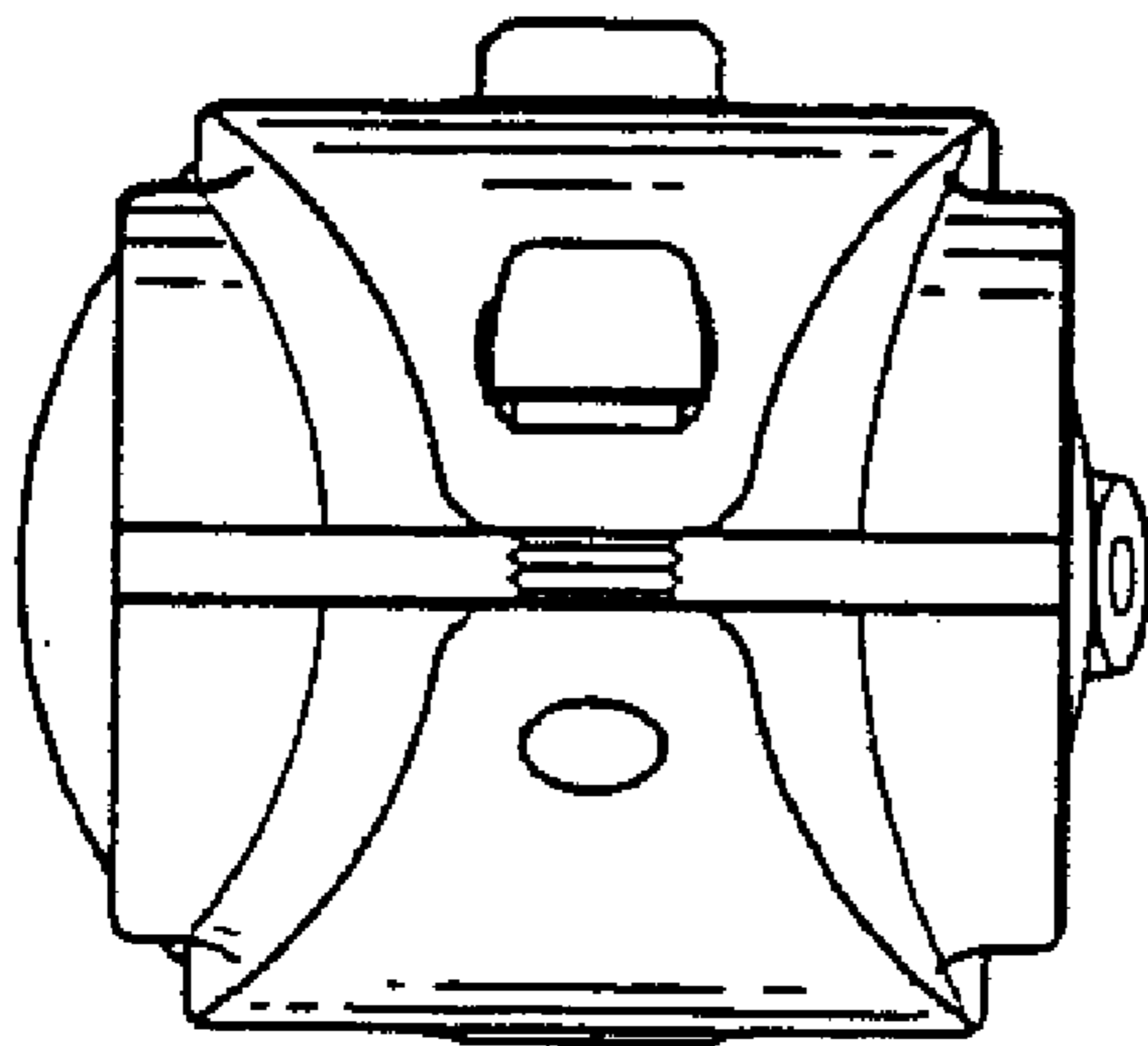


FIG. 4

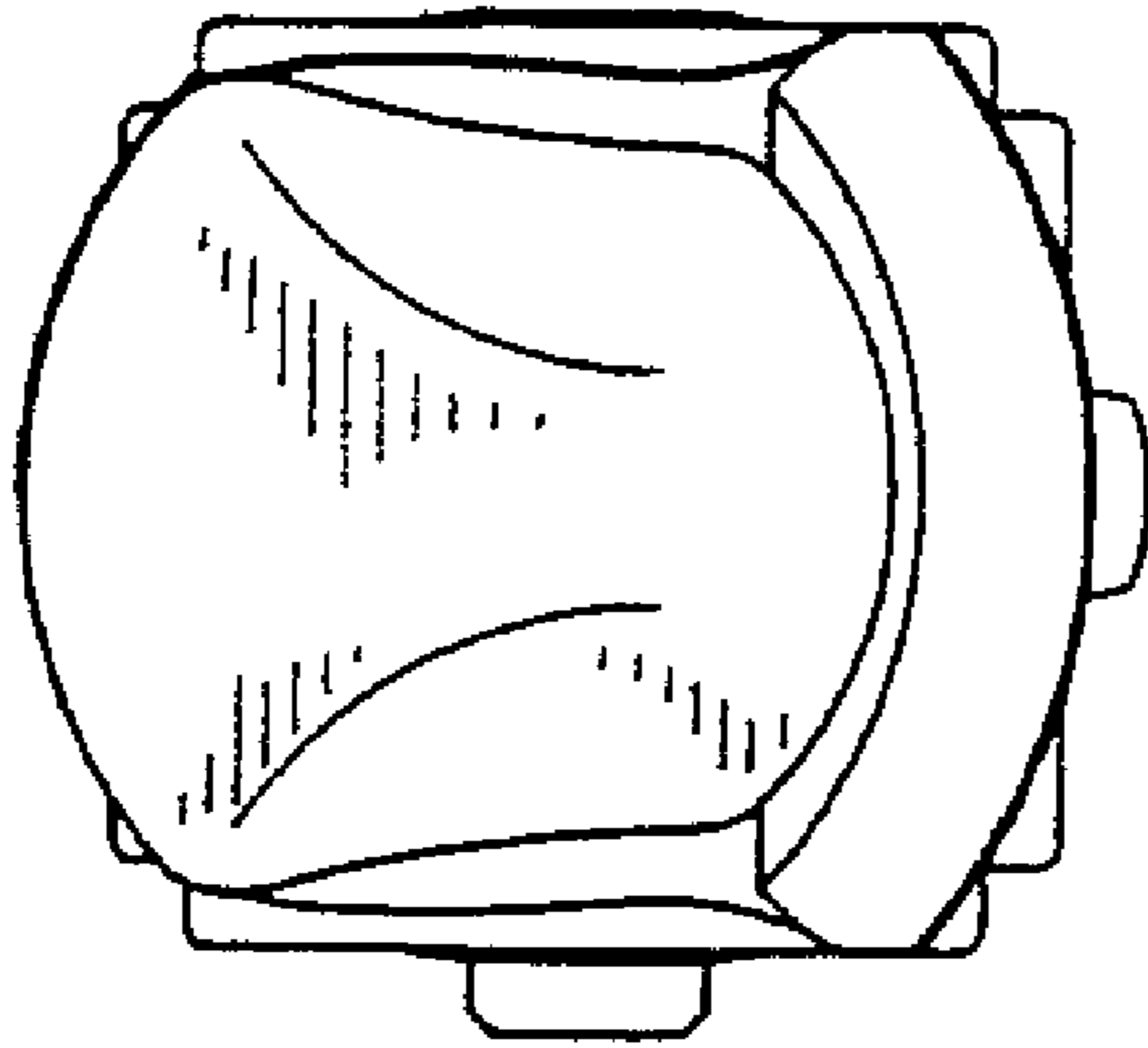


FIG. 5

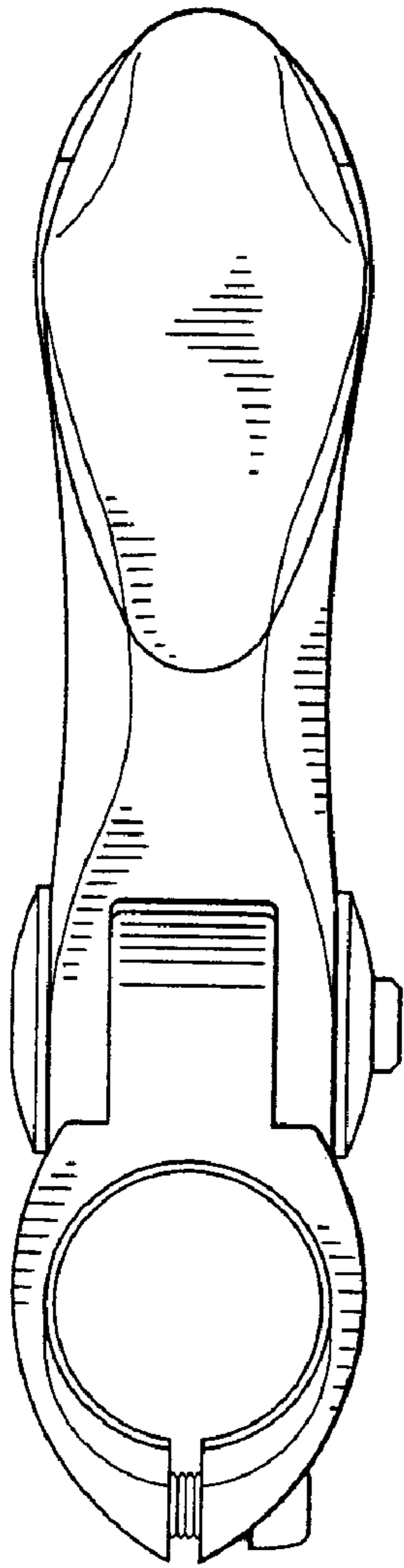


FIG. 6

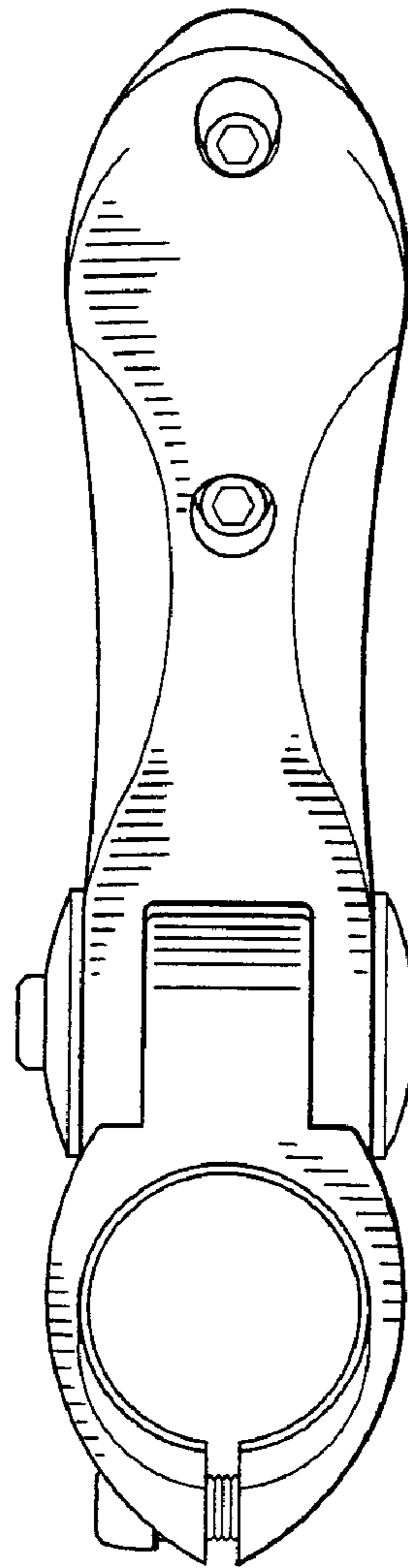


FIG. 7