

US00D548141S

(12) **United States Design Patent**
Pizzi

(10) **Patent No.:** **US D548,141 S**

(45) **Date of Patent:** **** Aug. 7, 2007**

(54) **MOUNTAIN ELECTRIC BICYCLE**

D491,111 S * 6/2004 Mizuta et al. D12/111

(75) Inventor: **Larry Pizzi**, Santa Monica, CA (US)

* cited by examiner

(73) Assignee: **Currie Technologies, Inc.**, Chatsworth, CA (US)

Primary Examiner—Alan P. Douglas

Assistant Examiner—Linda Brooks

(74) *Attorney, Agent, or Firm*—Sandy Lipkin

(**) Term: **14 Years**

(57) **CLAIM**

(21) Appl. No.: **29/266,022**

The ornamental design for a mountain electric bicycle, as shown and described.

(22) Filed: **Sep. 12, 2006**

(51) **LOC (8) Cl.** **12-11**

(52) **U.S. Cl.** **D12/111**

(58) **Field of Classification Search** D12/110,
D12/111; 180/219, 220, 65.1, 65.2, 65.6,
180/205–207; 280/274–288, 288.1, 288.2,
280/288.3, 288.4

See application file for complete search history.

DESCRIPTION

FIG. 1 is a left side elevational view of the mountain electric bicycle showing my new design;

FIG. 2 is a front elevational view of the mountain electric bicycle;

FIG. 3 is a rear elevational view of the mountain electric bicycle;

FIG. 4 is a right side elevational view of the mountain electric bicycle; and,

FIG. 5 is a top plan view of the mountain electric bicycle.

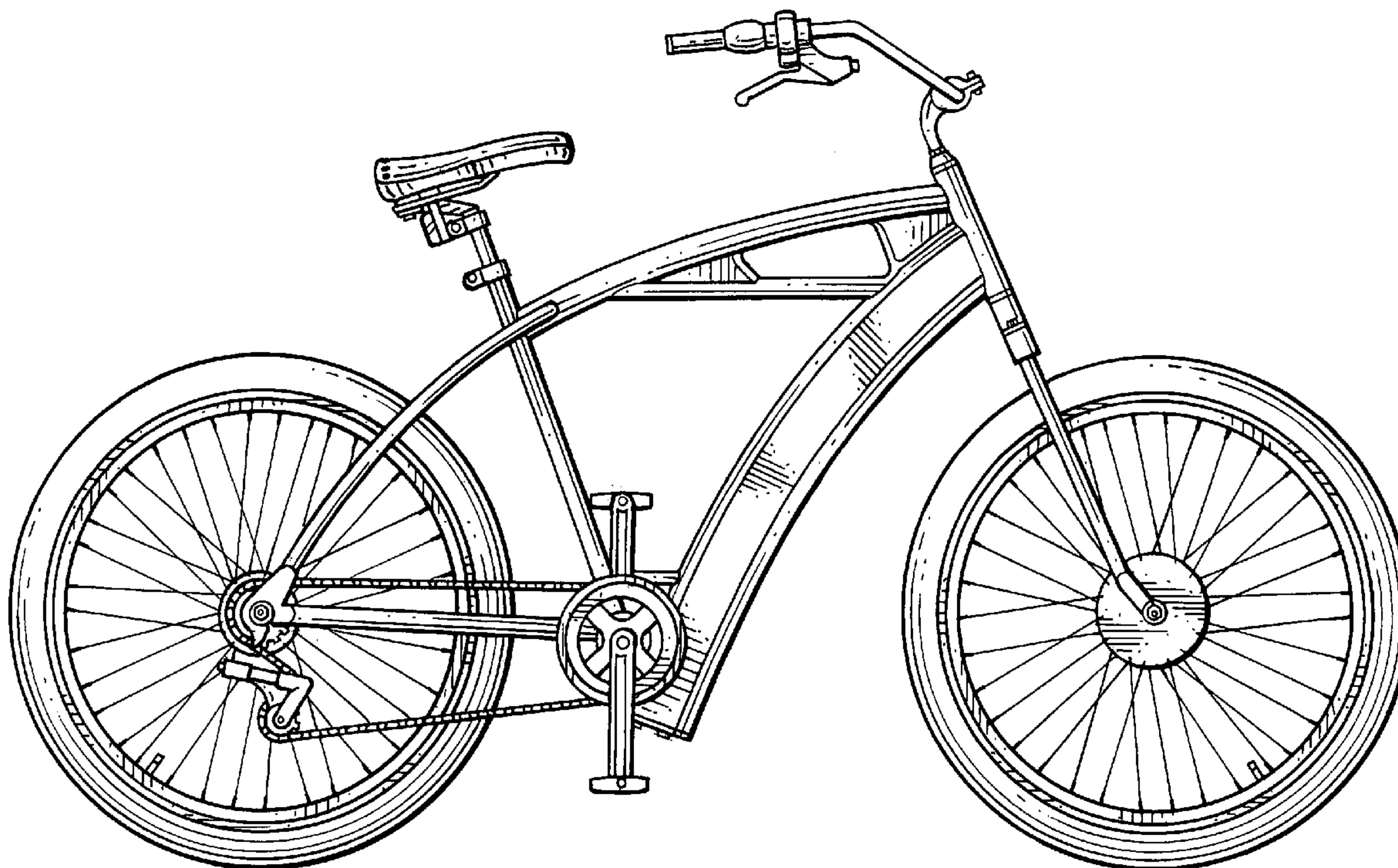
(56) **References Cited**

U.S. PATENT DOCUMENTS

3,800,898 A * 4/1974 Griffin 180/205

D281,615 S * 12/1985 Barbato et al. D21/432

1 Claim, 4 Drawing Sheets



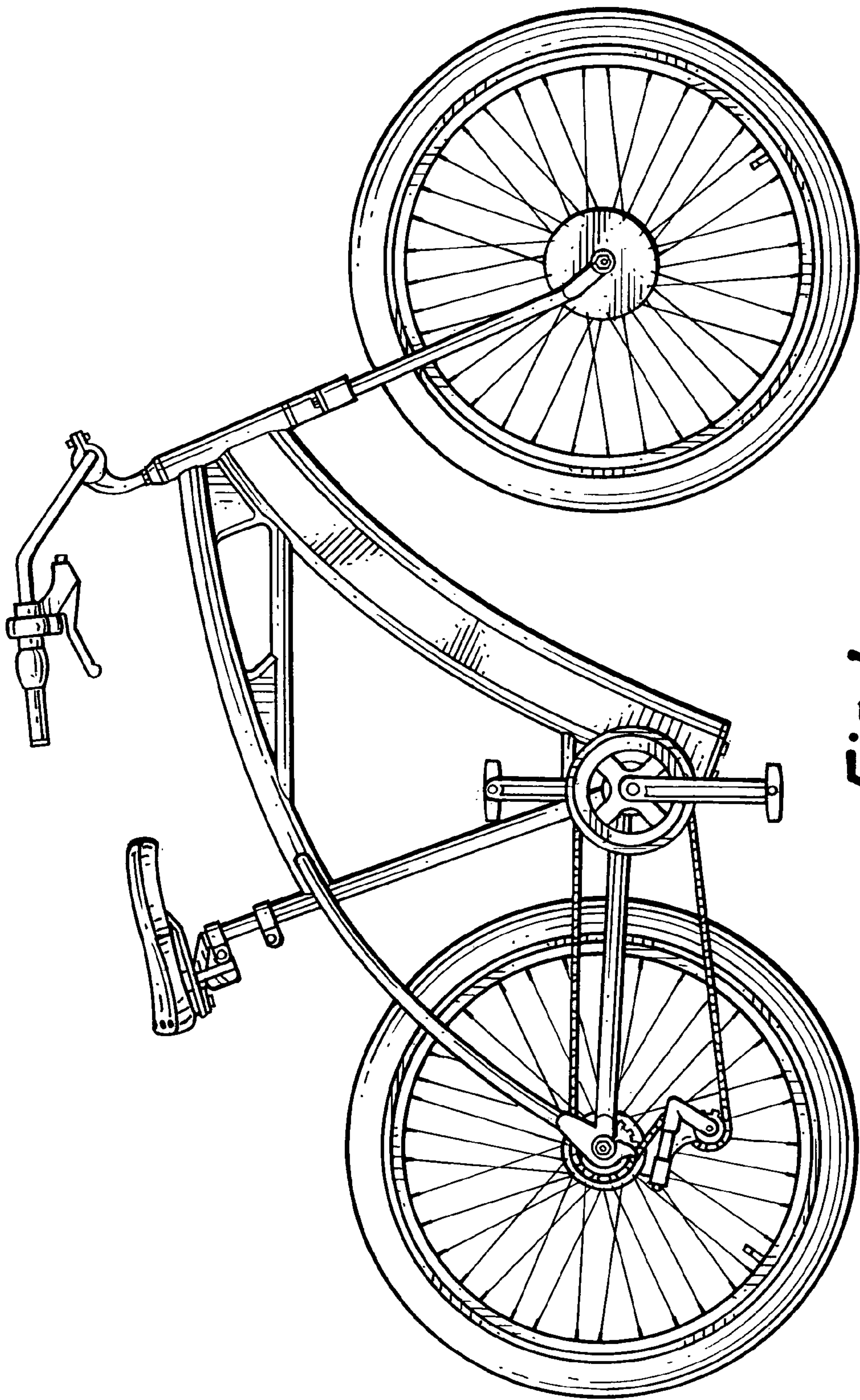


Fig. 1.

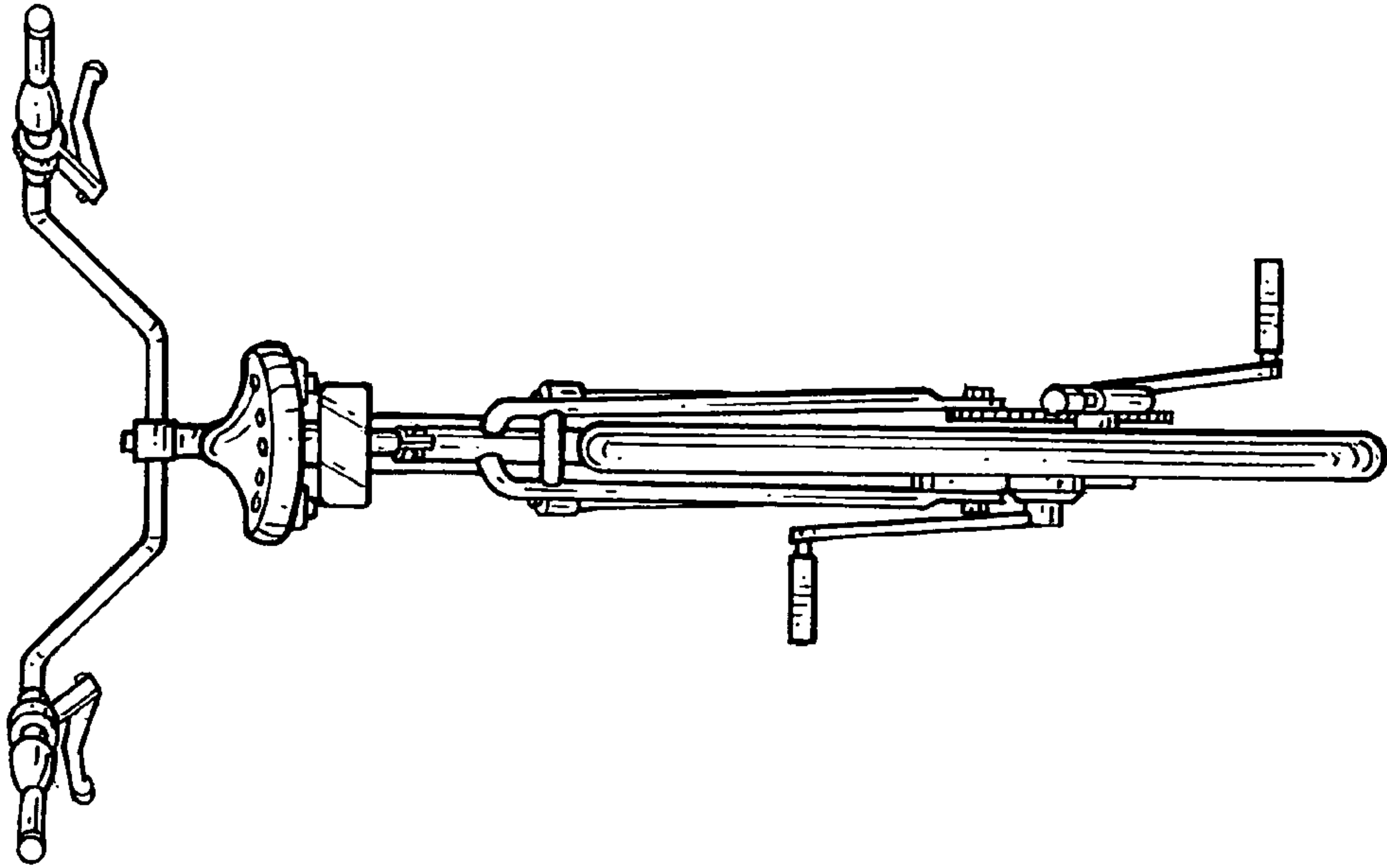


Fig. 3.

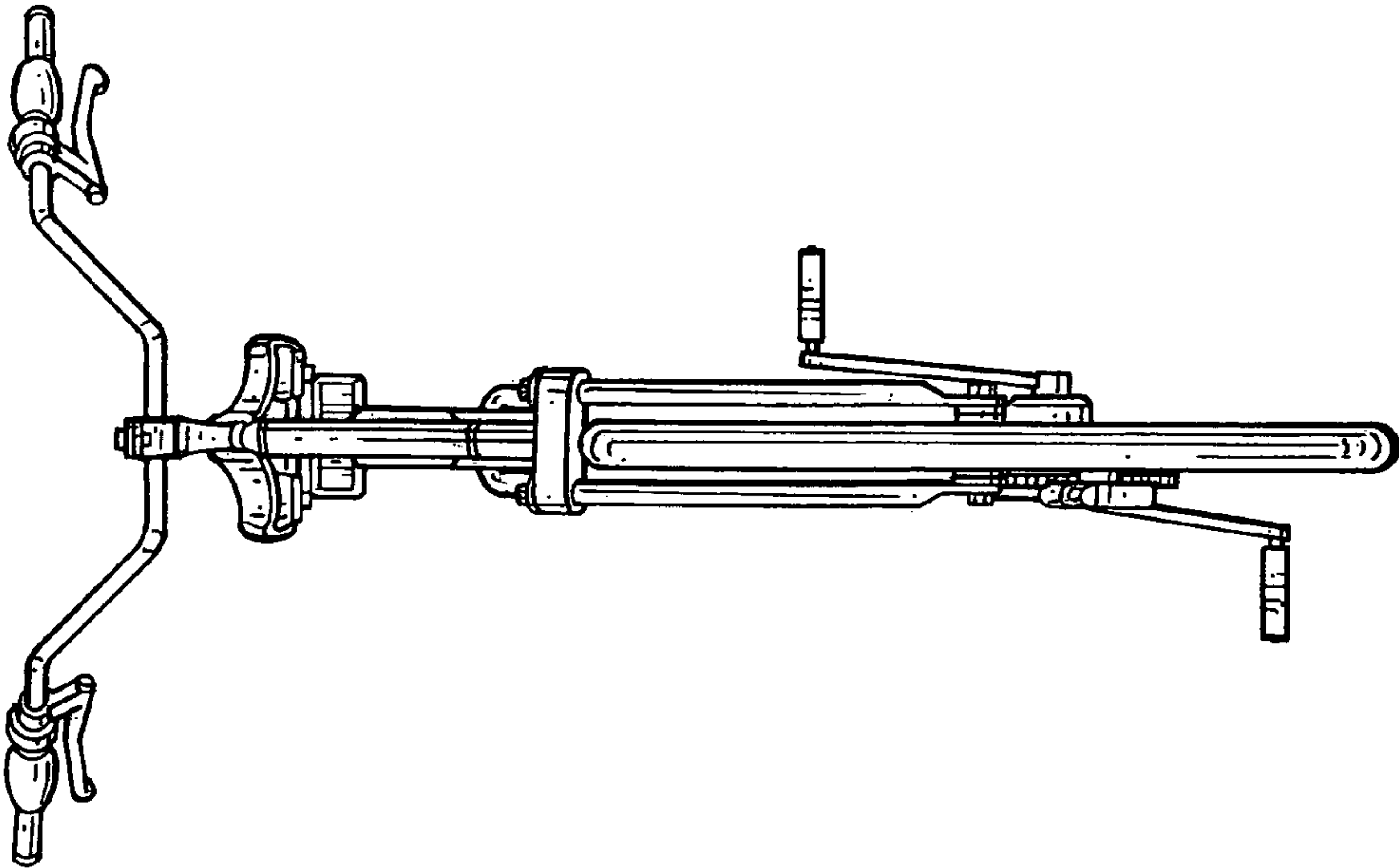


Fig. 2.

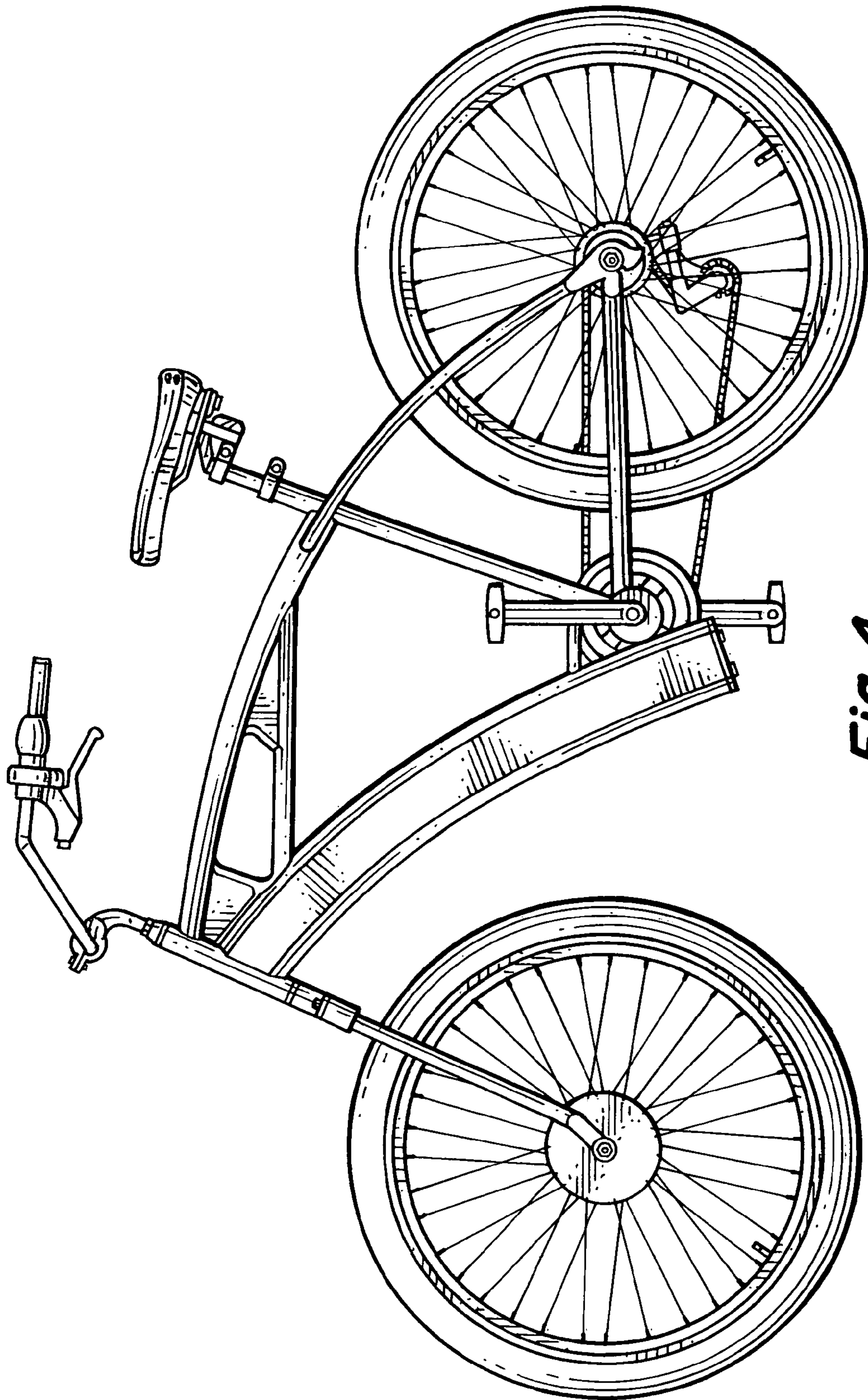


Fig. 4.

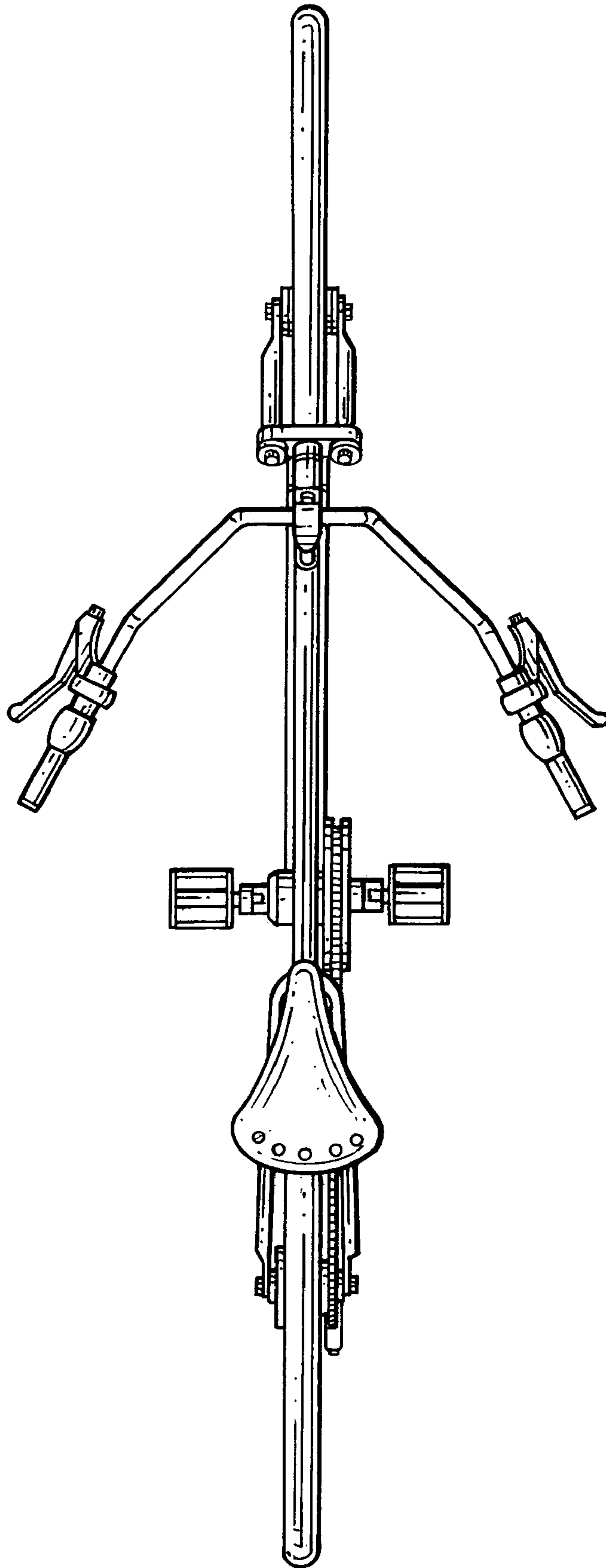


Fig. 5.