

US00D548138S

(12) **United States Design Patent**
Geslin et al.

(10) **Patent No.:** **US D548,138 S**

(45) **Date of Patent:** **** Aug. 7, 2007**

(54) **VEHICLE**

(75) Inventors: **Mathieu M. Geslin**, Playa Vista, CA (US); **Daniel E. Patterson**, Fountain Valley, CA (US); **John A. Frye**, San Pedro, CA (US)

(73) Assignee: **Honda Motor Co., Ltd.**, Tokyo (JP)

(**) Term: **14 Years**

(21) Appl. No.: **29/248,379**

(22) Filed: **Aug. 11, 2006**

(51) **LOC (8) Cl.** **12-08**

(52) **U.S. Cl.** **D12/87**

(58) **Field of Classification Search** D12/86, D12/87; 296/181.1, 181.5; D21/433, 434
See application file for complete search history.

(56) **References Cited**

U.S. PATENT DOCUMENTS

- D471,936 S * 3/2003 Tilbor et al. D21/433
- D500,707 S * 1/2005 Lu D12/87
- D503,952 S * 4/2005 Tung D21/433

* cited by examiner

Primary Examiner—Melody N. Brown

(74) *Attorney, Agent, or Firm*—Plumsea Law Group, LLC; Mark E. Duell

(57) **CLAIM**

The ornamental design for a vehicle, as shown and described.

DESCRIPTION

FIG. 1 is a front perspective view of a vehicle showing our new design;

FIG. 2 is a rear perspective view thereof;

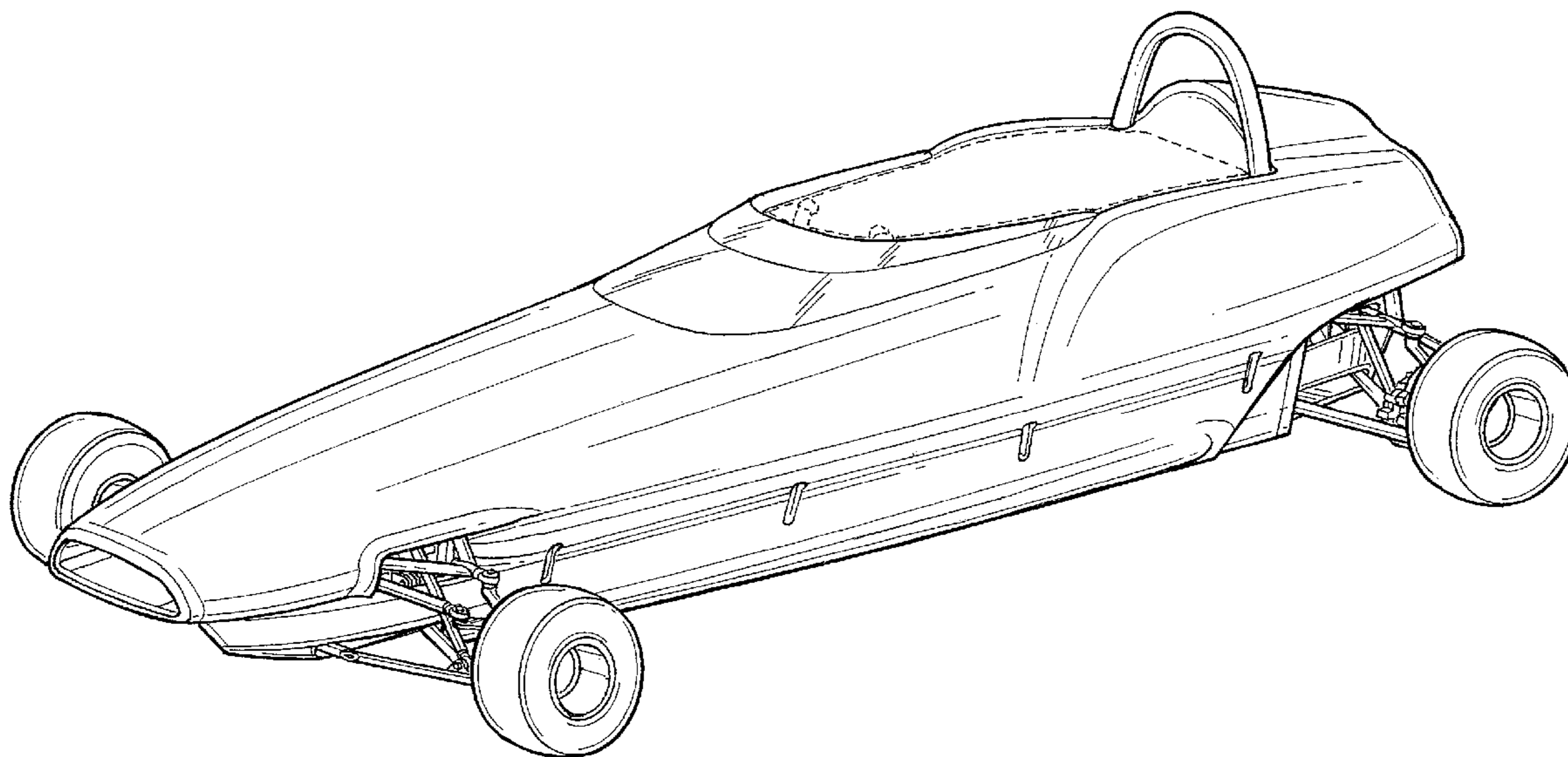
FIG. 3 is a front elevational view thereof;

FIG. 4 is a rear elevational view thereof; and,

FIG. 5 is a top plan view thereof.

The broken lines shown in the driver's seat area are for illustrative purposes only and form no part of the claimed design.

1 Claim, 4 Drawing Sheets



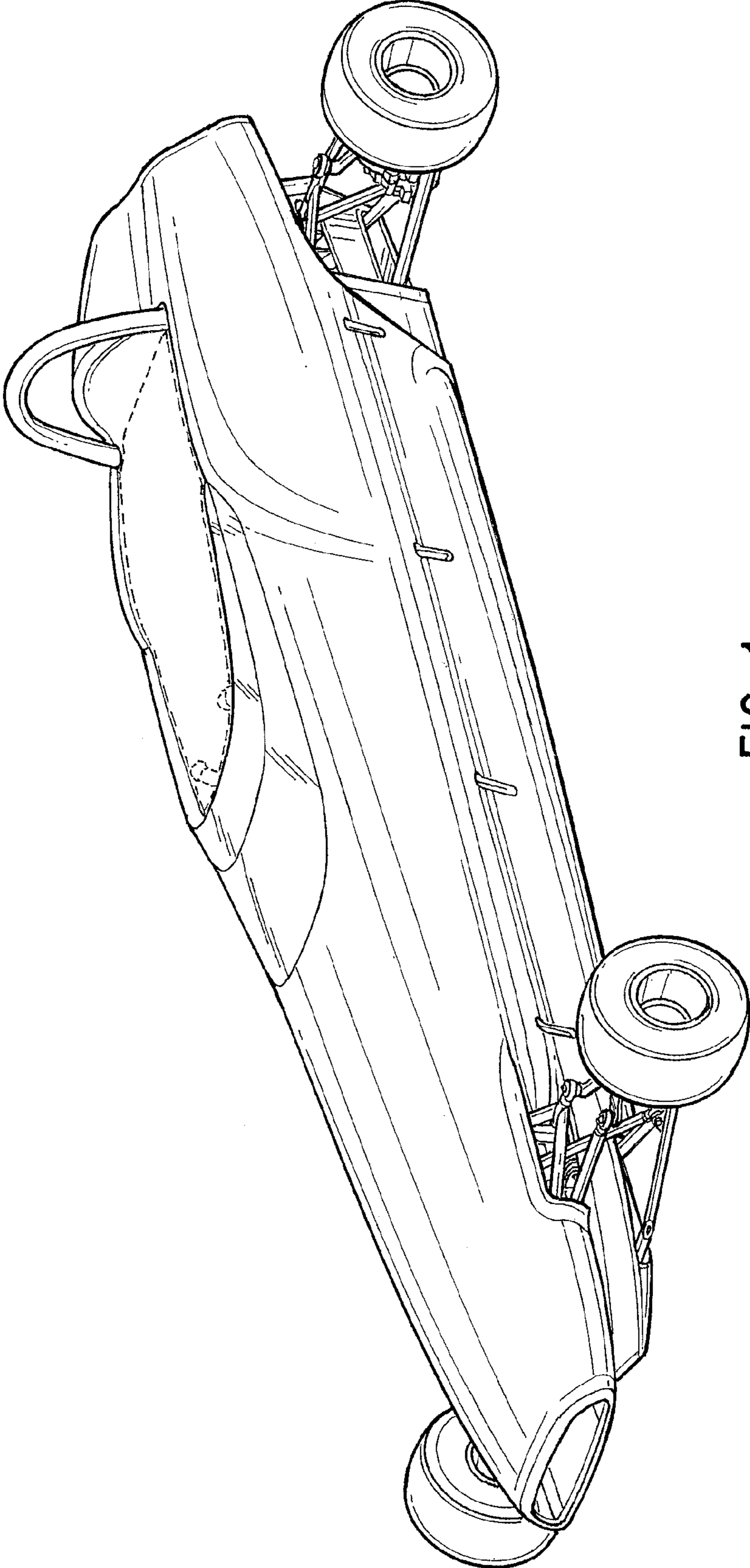


FIG. 1

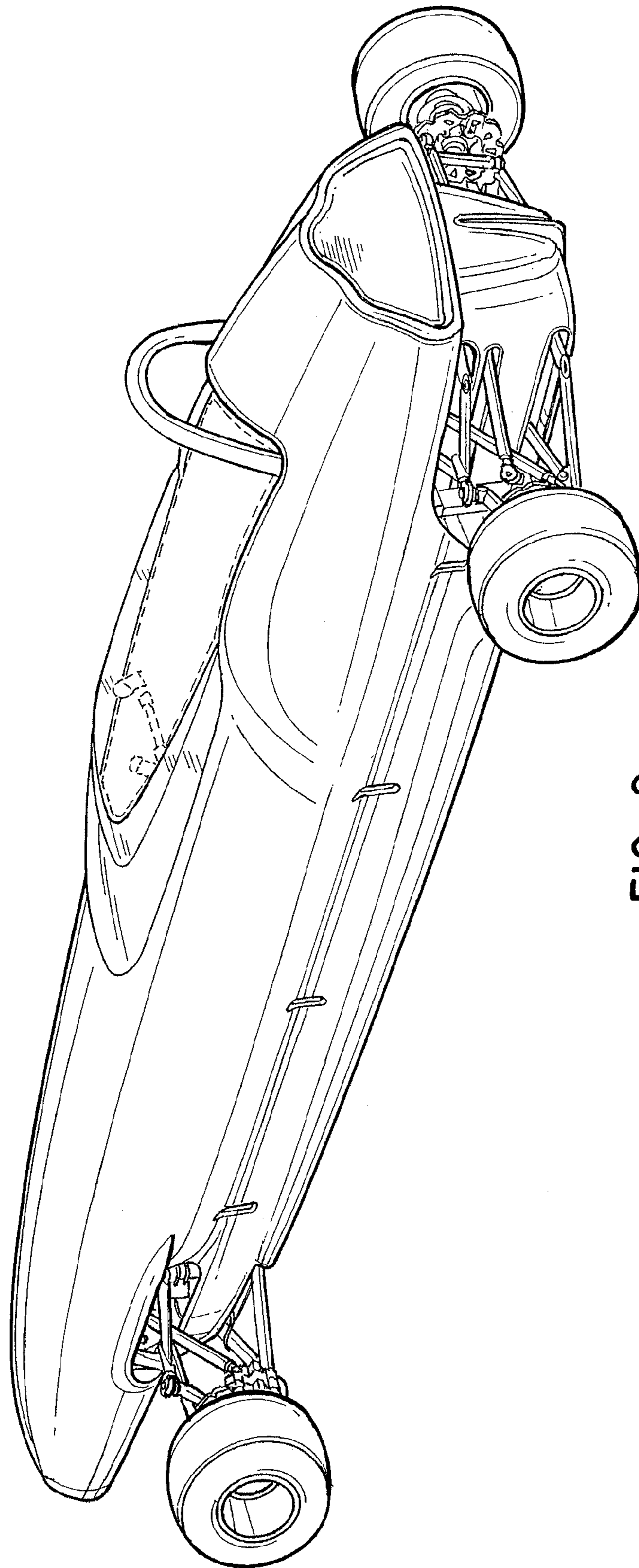


FIG. 2

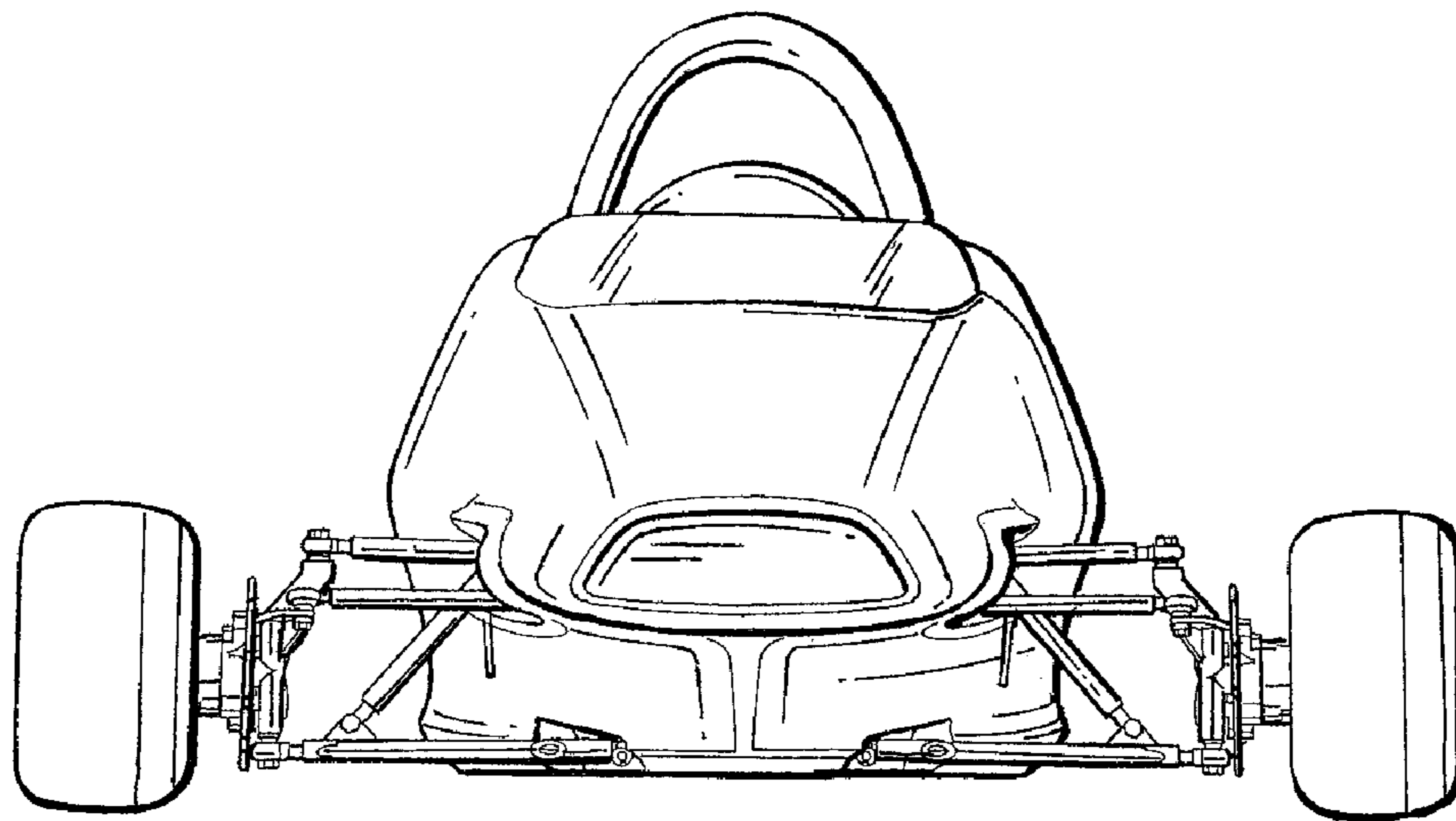


FIG. 3

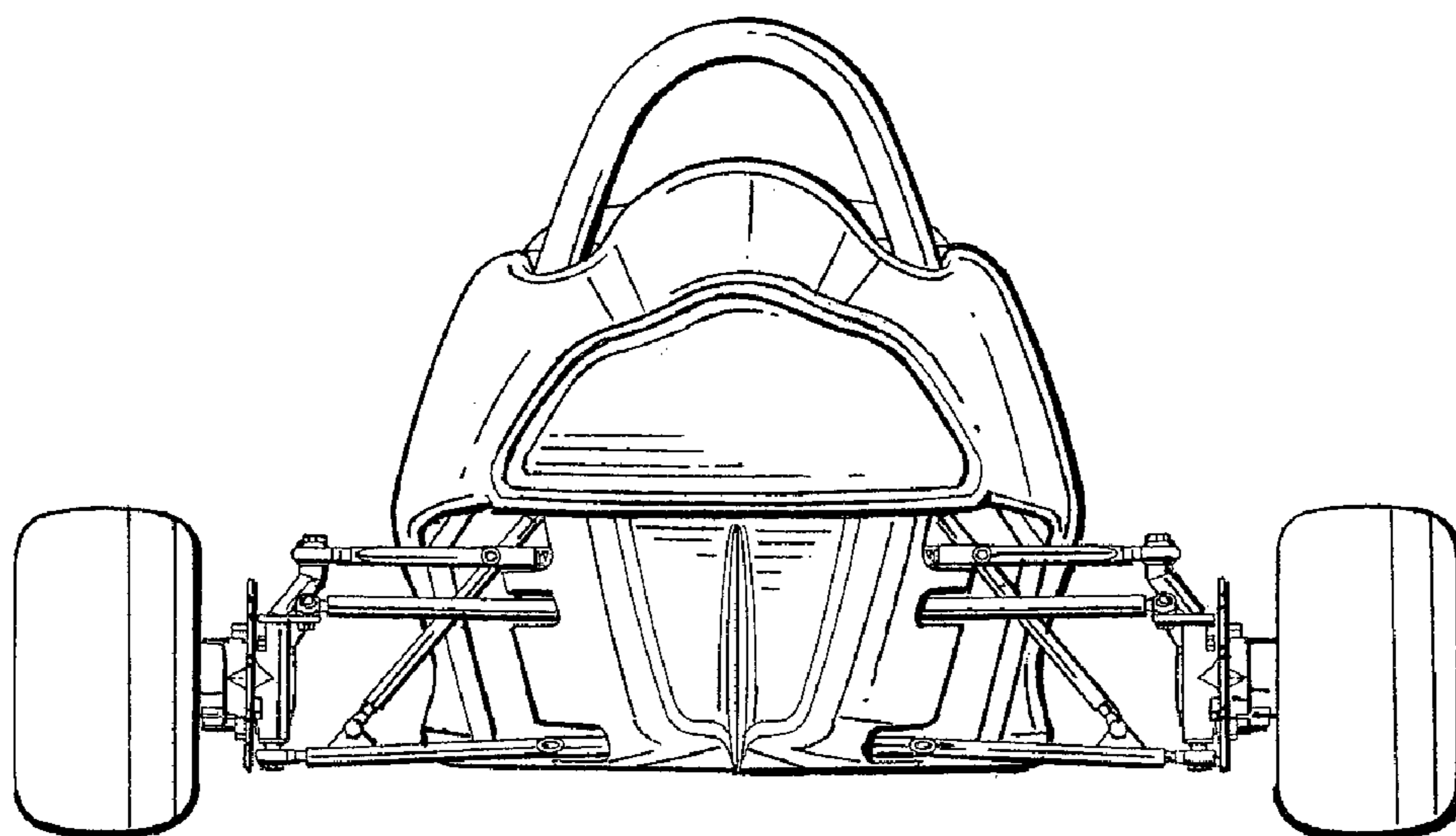


FIG. 4

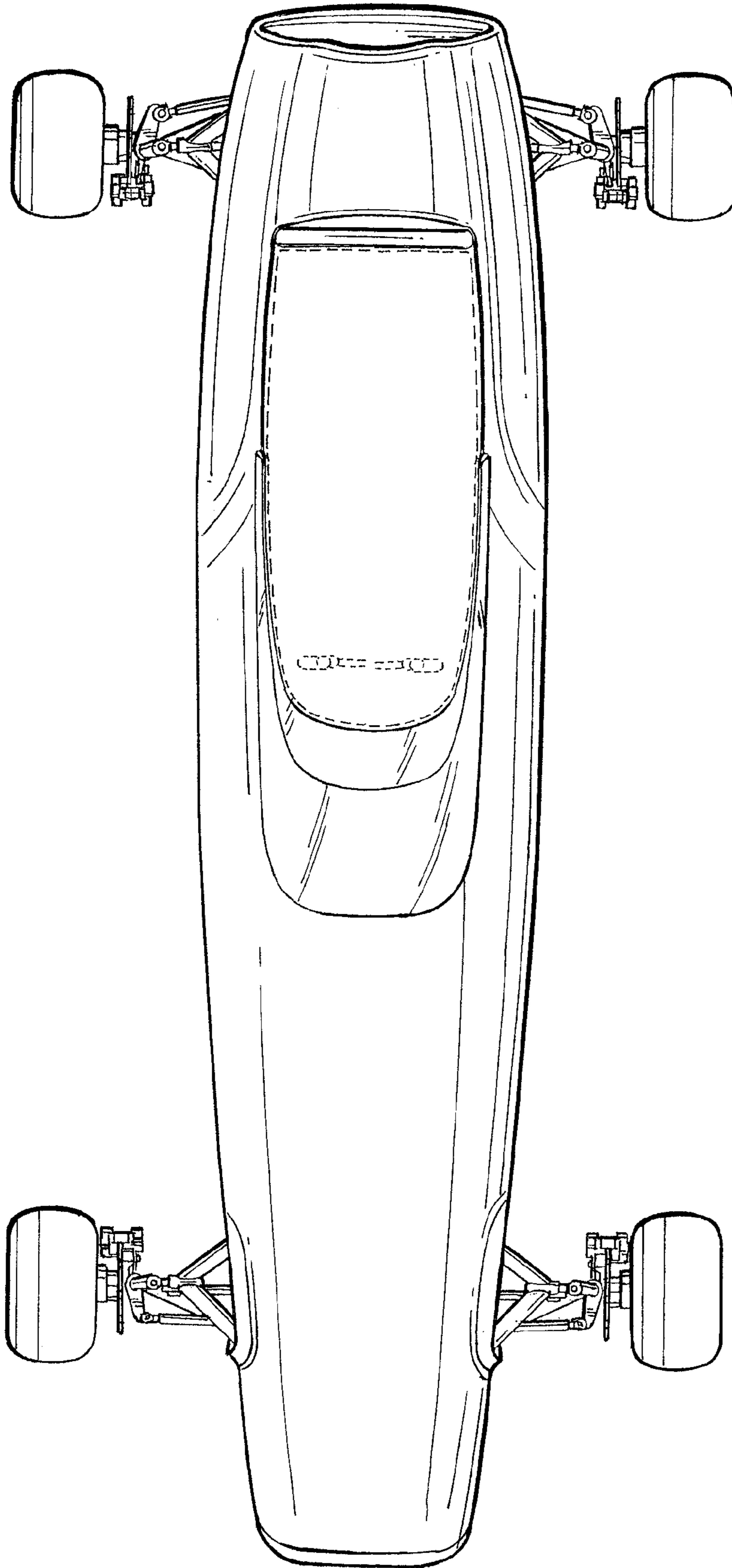


FIG. 5