



US00D548136S

(12) **United States Design Patent** (10) **Patent No.:** **US D548,136 S**  
**Musselman** (45) **Date of Patent:** **\*\* Aug. 7, 2007**

(54) **SINGLE EDGE BLADE RUNNER FOR A SNOWMOBILE SKI**

2006/0175777 A1\* 8/2006 Lemieux et al. .... 280/28  
\* cited by examiner

(76) Inventor: **Robert S. Musselman**, 6054 N. M-30,  
Hope, MI (US) 48628

*Primary Examiner*—Louis S. Zarfes  
*Assistant Examiner*—Anna K Dworzecka  
(74) *Attorney, Agent, or Firm*—John J. Swartz

(\*\*) Term: **14 Years**

(57) **CLAIM**

(21) Appl. No.: **29/223,575**

The ornamental design for a single edge blade runner for a snowmobile ski, as shown and described.

(22) Filed: **Feb. 17, 2005**

(51) **LOC (8) Cl.** ..... **12-14**

(52) **U.S. Cl.** ..... **D12/7**

(58) **Field of Classification Search** ..... 305/180,  
305/54, 34 EB, 163, 178; D12/7, 154, 10,  
D12/18; D8/349, 338, 354, 382, 399, 386;  
180/190, 68.1, 18, 182, 186; 280/28, 609,  
280/601, 608, 11.12, 128, 21.1, 5.511; 285/19,  
285/124.2, 138, 189, 139.1

See application file for complete search history.

**DESCRIPTION**

FIG. 1 is a side elevational view of a single edge blade runner for a snowmobile ski showing my new design;

FIG. 2 is a top plan view thereof;

FIG. 3 is a bottom plan view thereof;

FIG. 4 is a rear end elevational view taken from the left side of FIG. 1;

FIG. 5 is an opposite front end elevational view taken from the right side of FIG. 1; and,

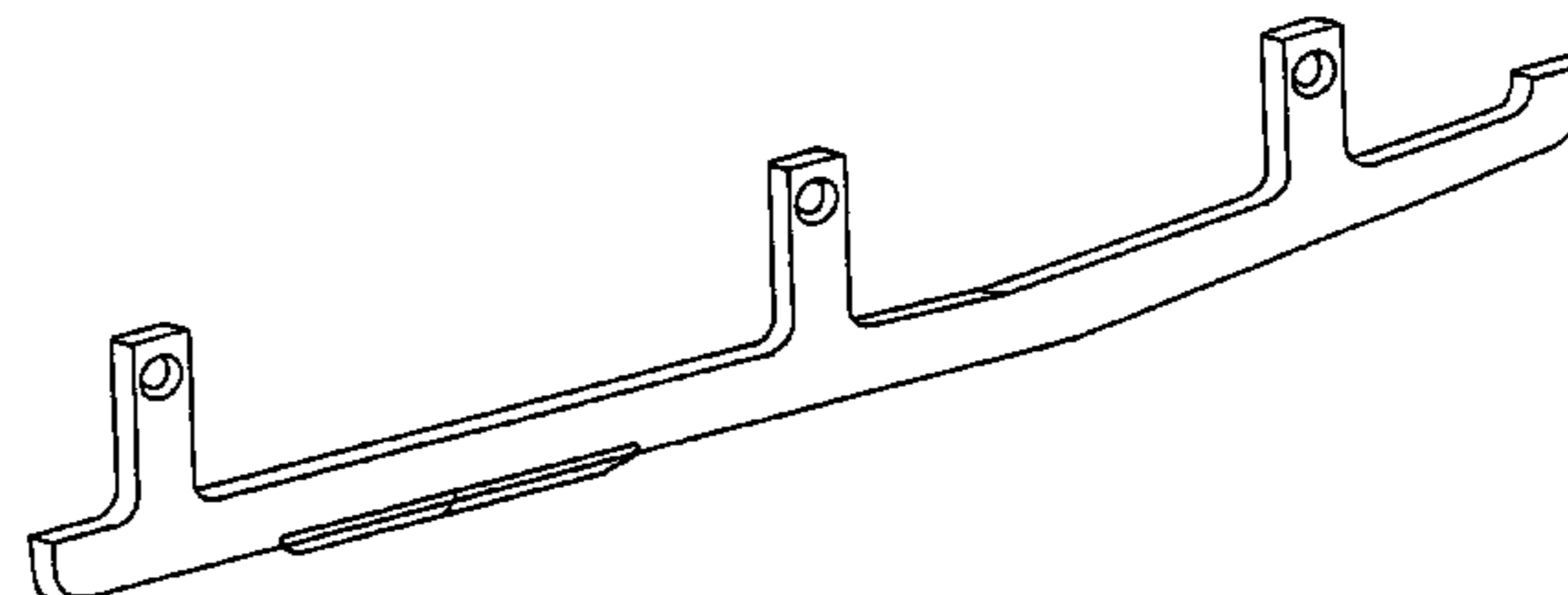
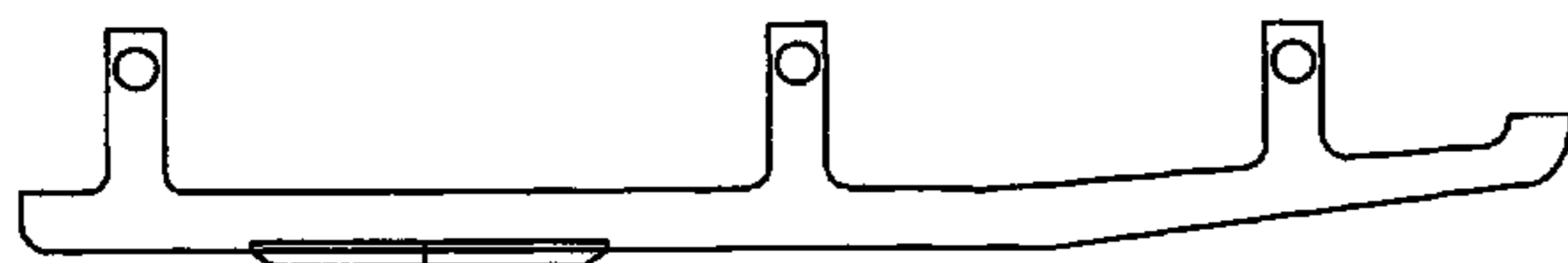
FIG. 6 is a perspective view thereof, taken from the left side of FIG. 5.

(56) **References Cited**

**U.S. PATENT DOCUMENTS**

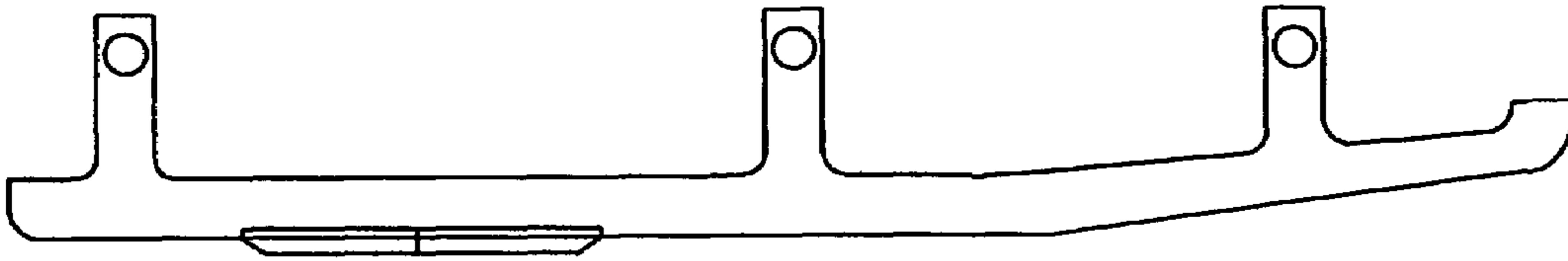
409,317 A \* 8/1889 Campbell ..... 280/28  
1,957,372 A \* 5/1934 Thompson ..... 280/28

**1 Claim, 2 Drawing Sheets**

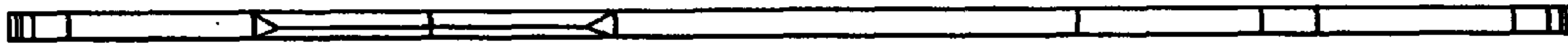




**Fig. 2**



**Fig. 1**



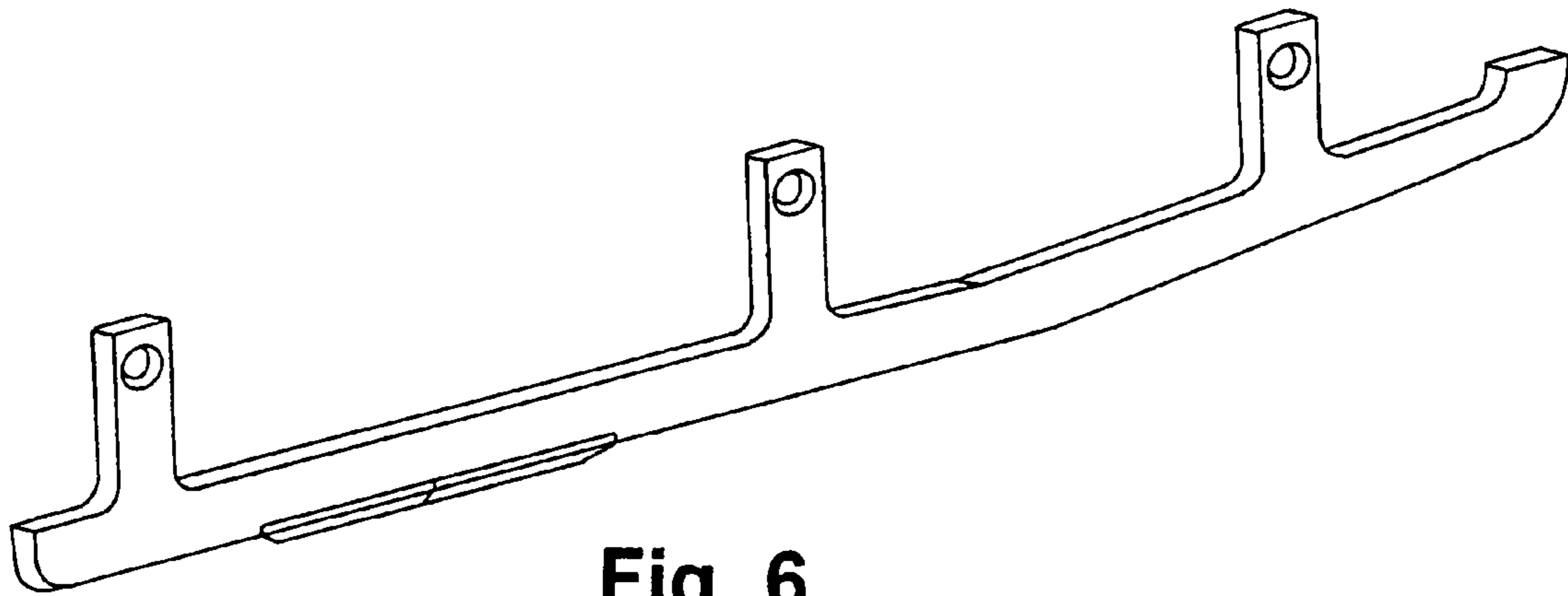
**Fig. 3**



**Fig. 4**



**Fig. 5**



**Fig. 6**