



US00D548133S

(12) **United States Design Patent**
Kurita et al.

(10) **Patent No.:** **US D548,133 S**

(45) **Date of Patent:** **** Aug. 7, 2007**

(54) **GAS GENERATOR FOR SEATBELT
PRETENSIONER**

(75) Inventors: **Kazumasa Kurita**, Himeji (JP);
Kenjiro Ikeda, Himeji (JP); **Akihiko
Tanaka**, Himeji (JP)

(73) Assignee: **Nippon Kayaku Kabushiki Kaisha**,
Tokyo (JP)

(**) Term: **14 Years**

(21) Appl. No.: **29/216,718**

(22) Filed: **Nov. 9, 2004**

(30) **Foreign Application Priority Data**

May 10, 2004	(JP)	2004-013654
May 10, 2004	(JP)	2004-013655
May 10, 2004	(JP)	2004-013656
May 10, 2004	(JP)	2004-013657
May 10, 2004	(JP)	2004-013658

(51) **LOC (8) Cl.** **02-07**

(52) **U.S. Cl.** **D11/200**

(58) **Field of Classification Search** D15/7-9;
D23/232, 231; 417/359, 415-416, 321, 265,
417/405, 410.1

See application file for complete search history.

(56) **References Cited**

U.S. PATENT DOCUMENTS

D152,516 S * 2/1949 Brown D23/411

D204,661 S *	5/1966	Arneson	D15/7
D207,562 S *	5/1967	Watkins	D15/9
D208,594 S *	9/1967	Zoehfeld	D15/7
D270,718 S *	9/1983	Cain	D10/94
D377,178 S *	1/1997	Kotlarek et al.	D15/9
6,703,731 B2 *	3/2004	Lee	310/68 B

* cited by examiner

Primary Examiner—Ralf Seifert

(74) *Attorney, Agent, or Firm*—Oblon, Spivak, McClelland,
Maier & Neustadt, P.C.

(57) **CLAIM**

The ornamental design for a gas generator for seatbelt pretensioner, as shown and described.

DESCRIPTION

FIG. 1 is a front view of a gas generator for seatbelt pretensioner showing our new design;

FIG. 2 is a rear elevational view thereof;

FIG. 3 is a left side elevational view thereof;

FIG. 4 is a right side elevational view thereof;

FIG. 5 is a top plan view thereof;

FIG. 6 is a bottom plan view thereof; and,

FIG. 7 is a top and front view thereof.

1 Claim, 2 Drawing Sheets

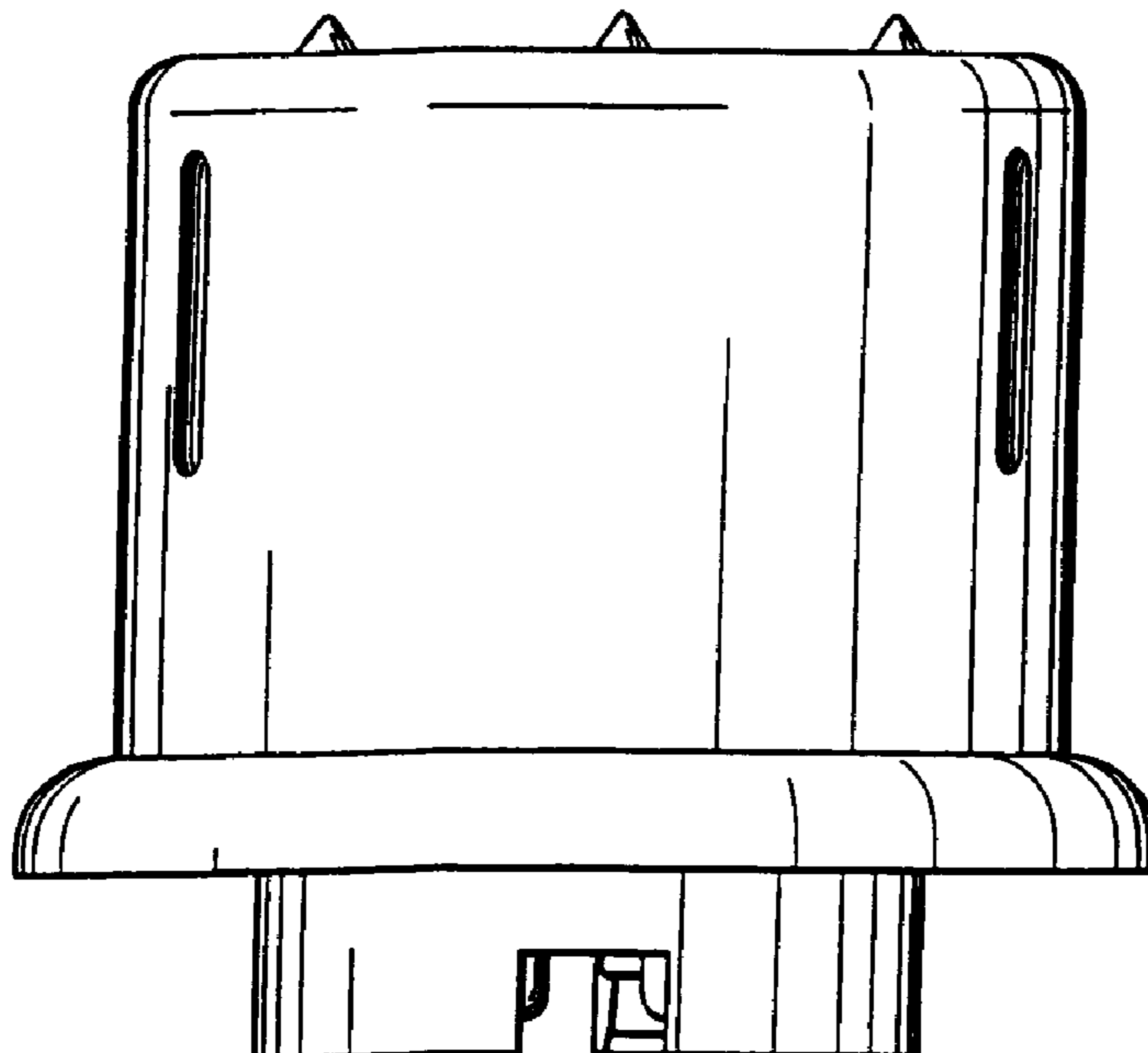


FIG.1

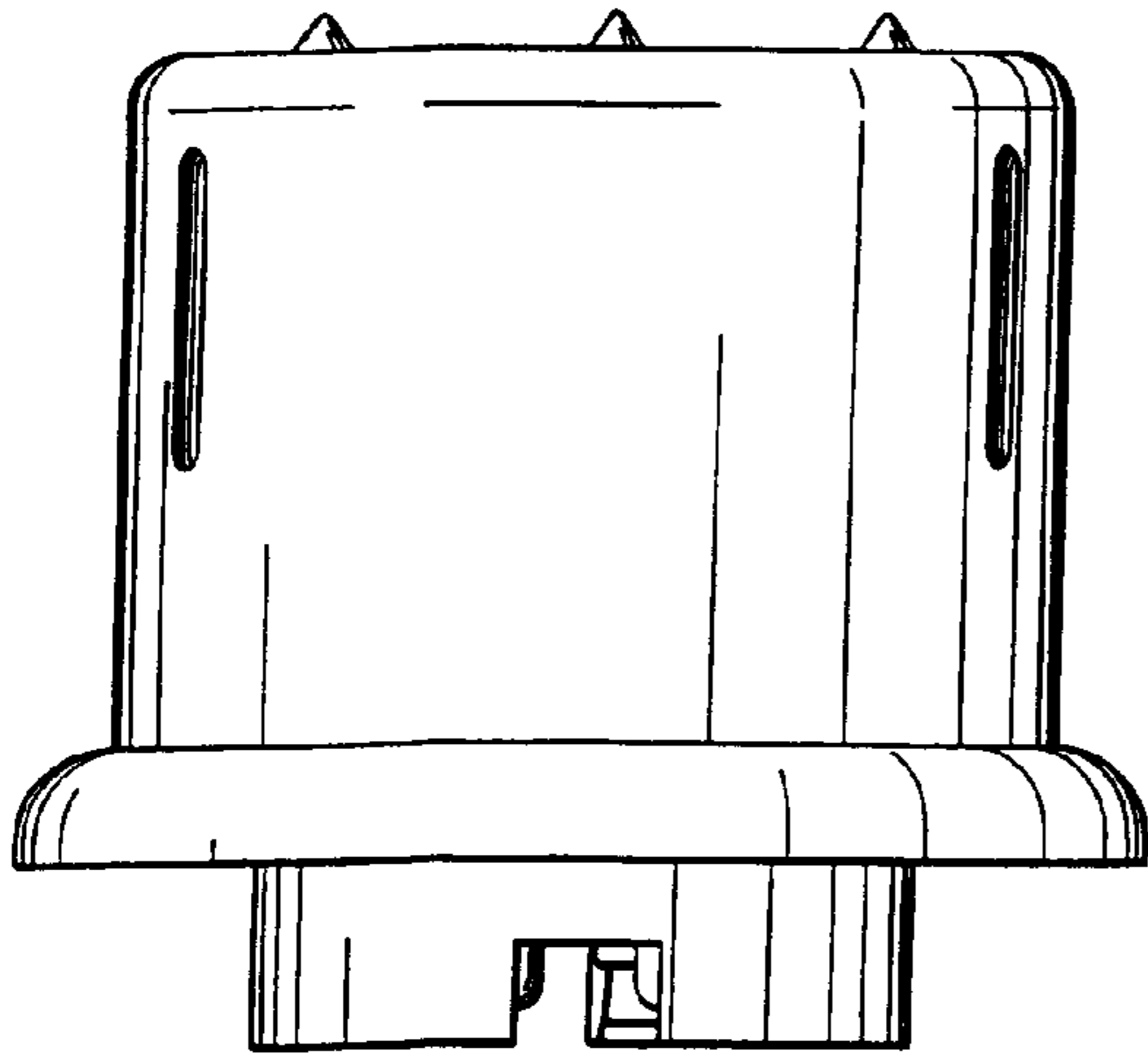


FIG.2

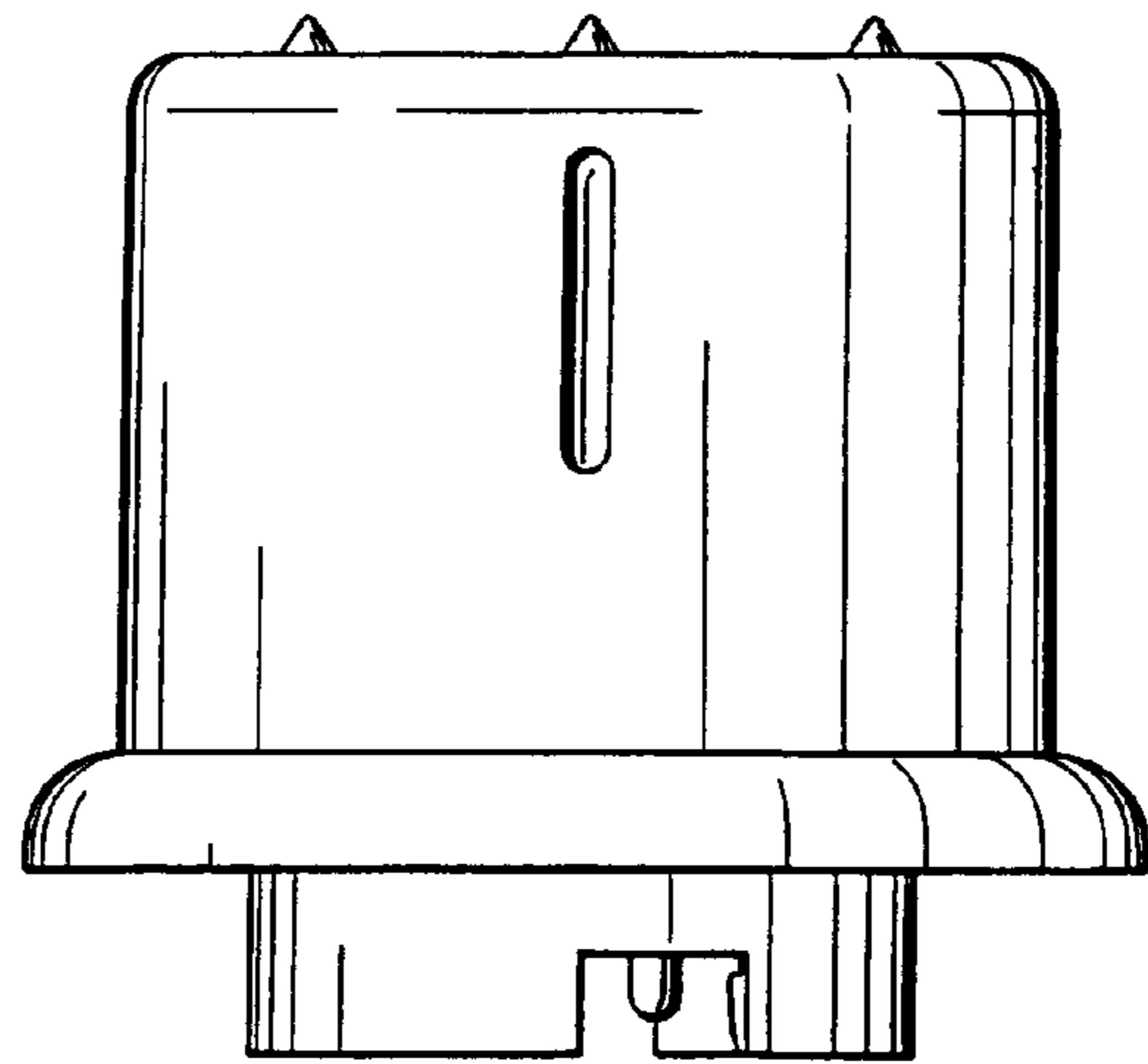


FIG.3

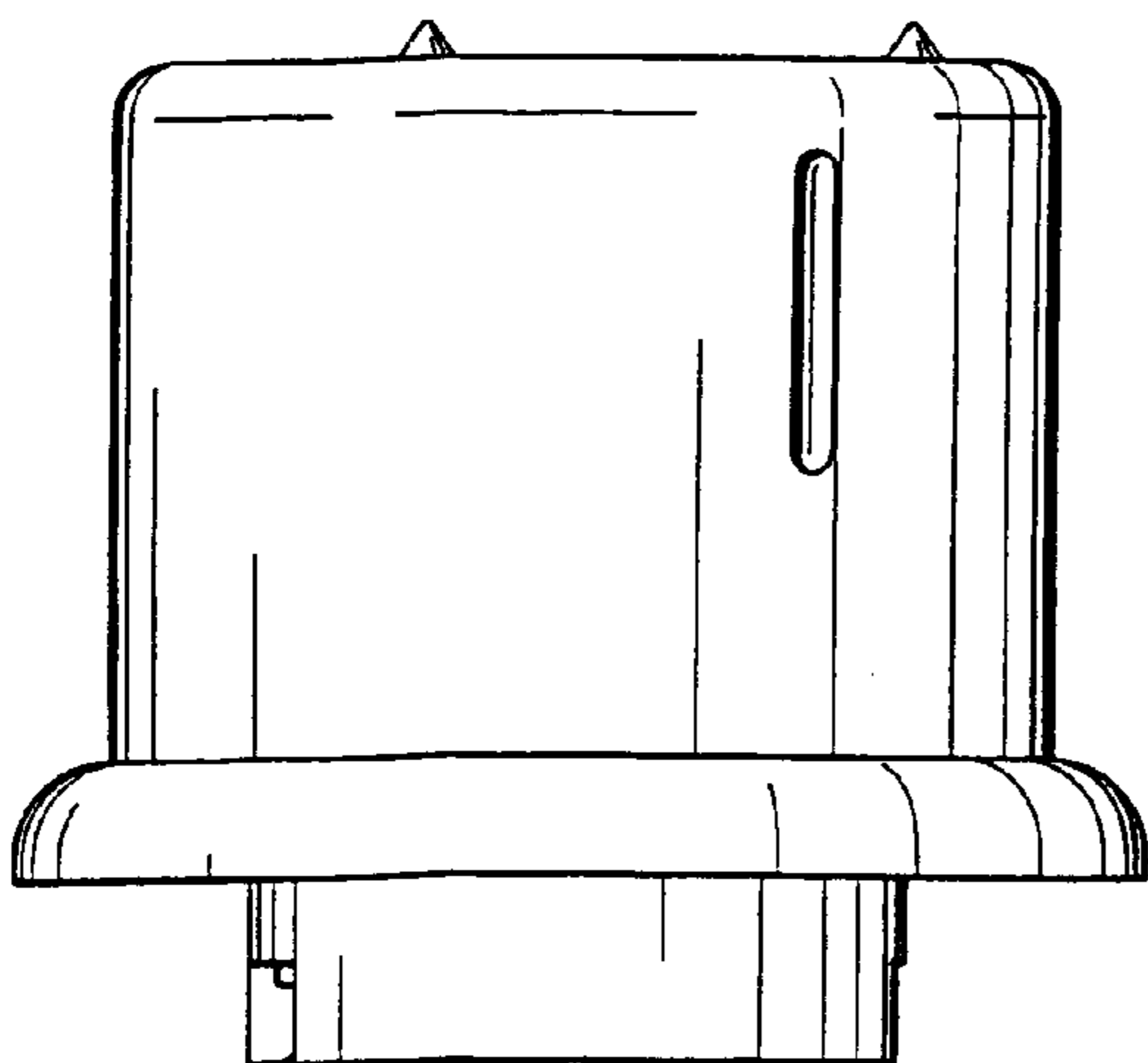


FIG.4

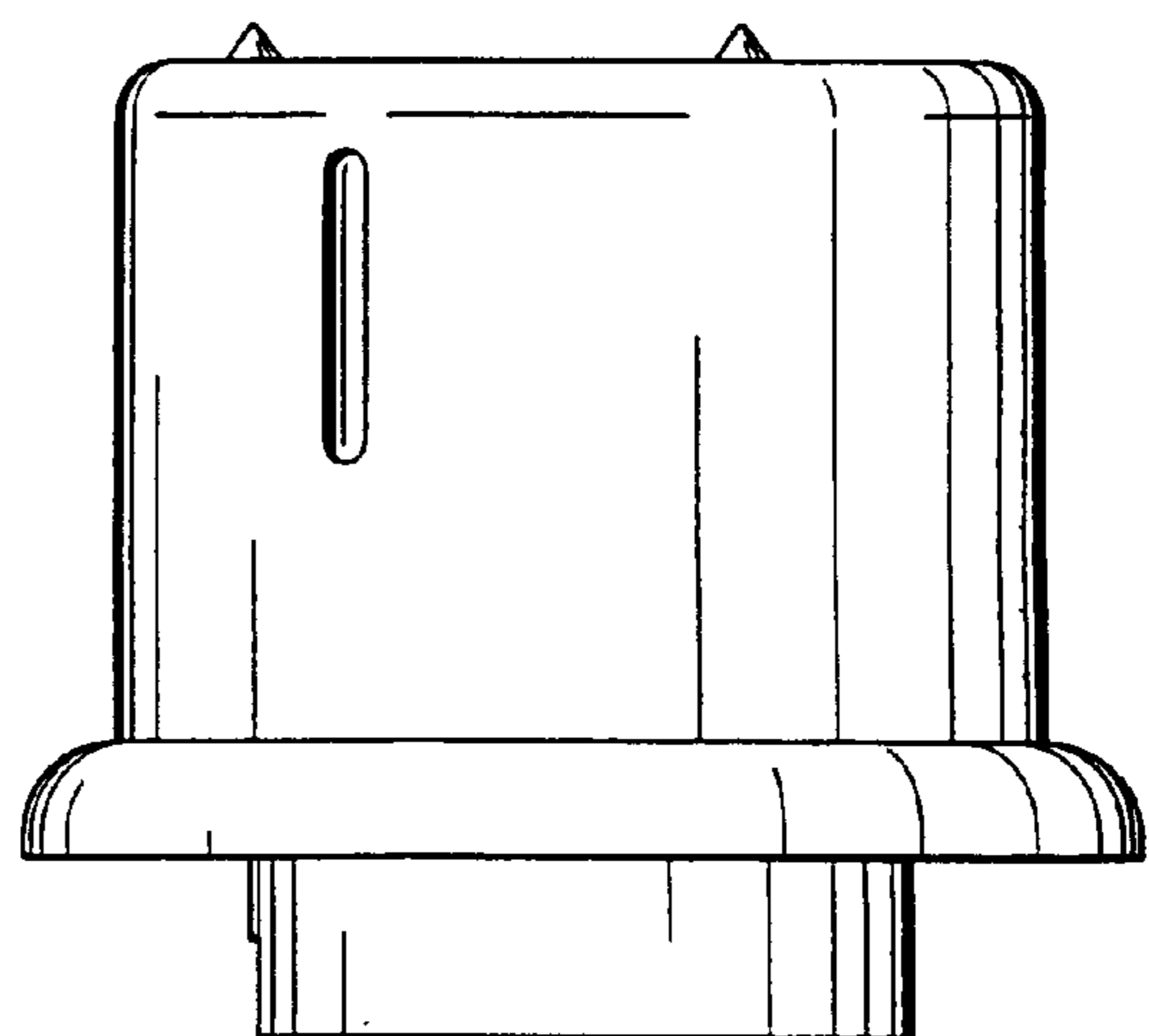


FIG.5

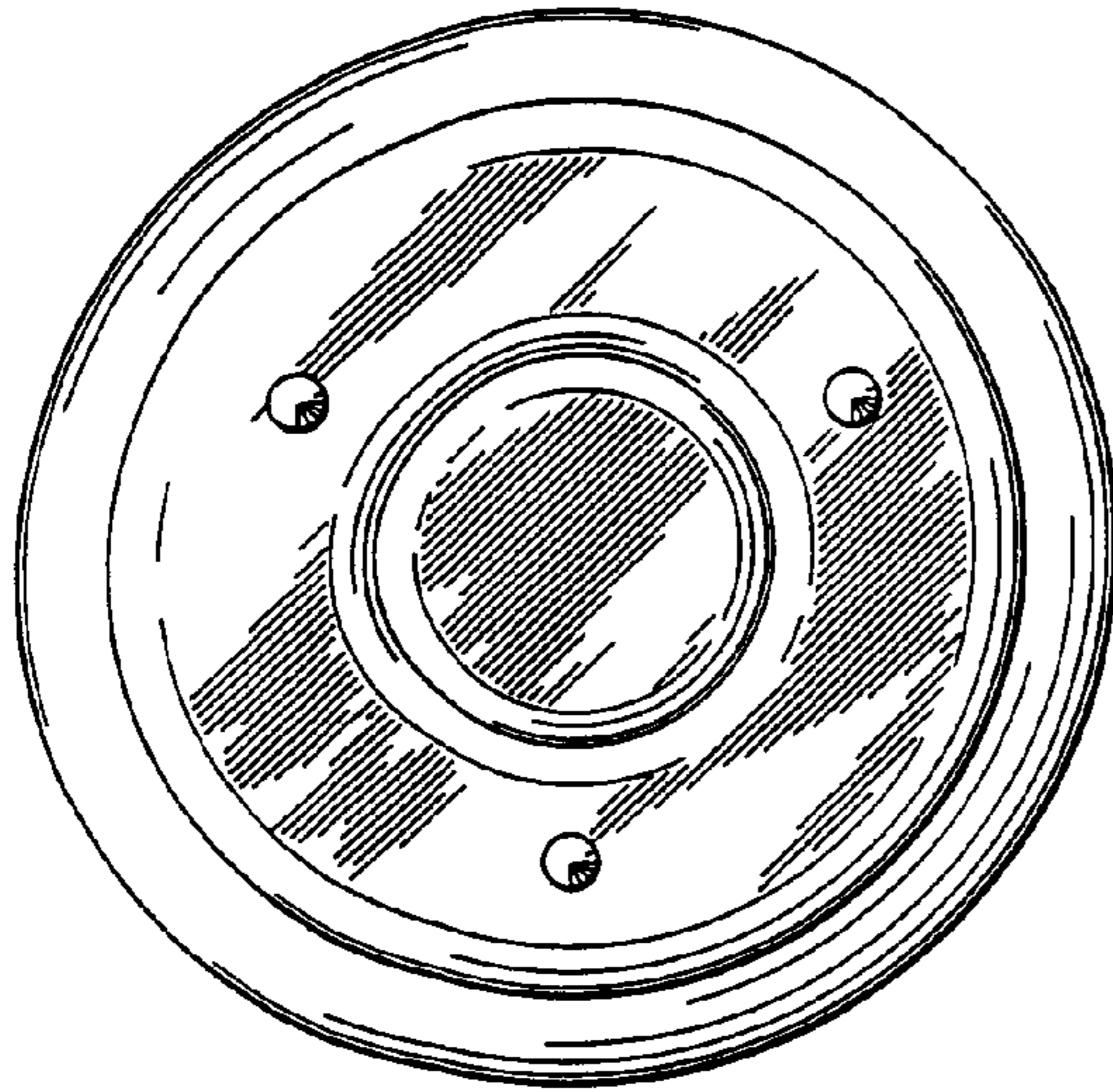


FIG.6

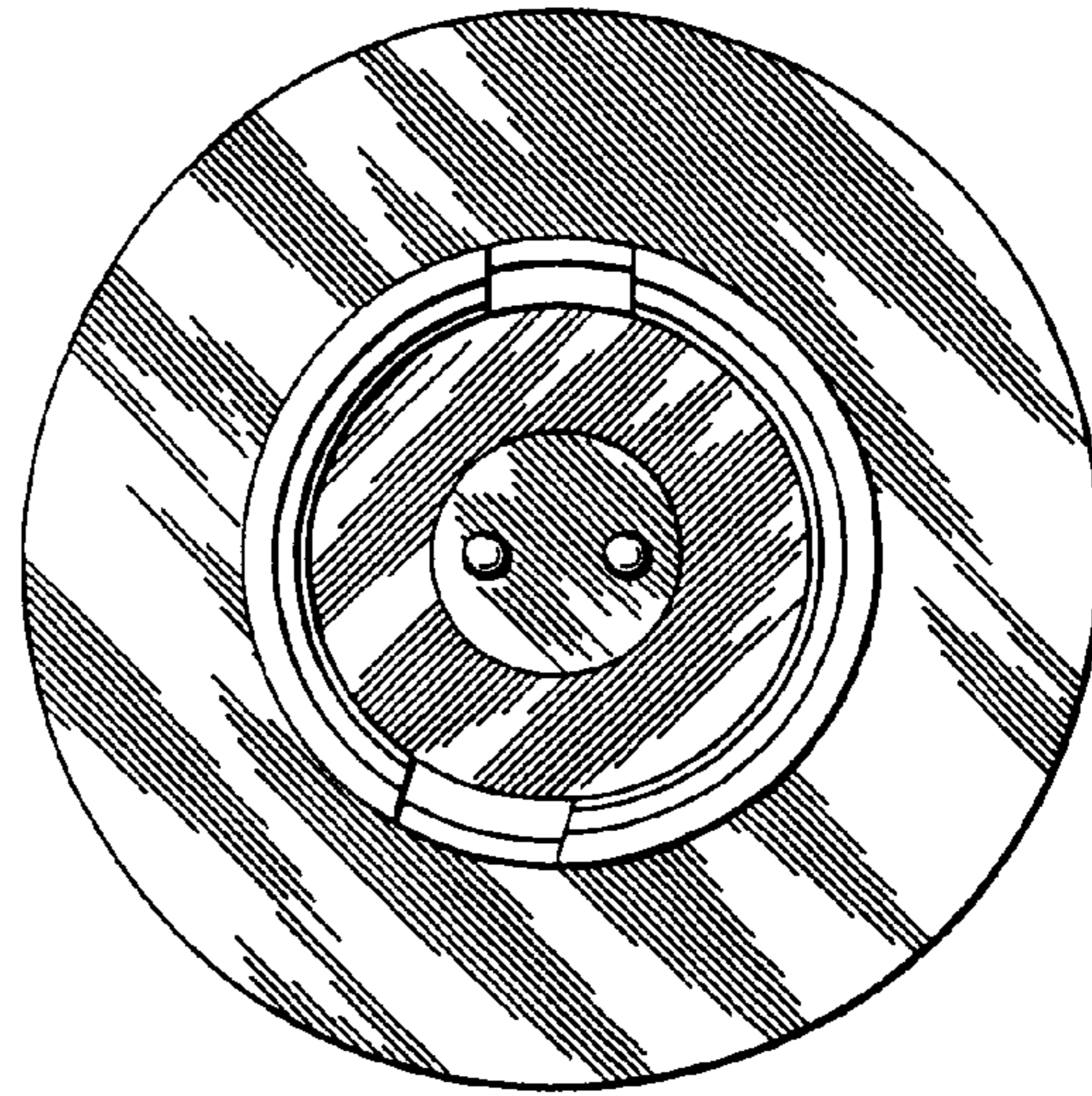


FIG.7

