

US00D548126S

(12) **United States Design Patent** (10) **Patent No.:** **US D548,126 S**  
**Hass** (45) **Date of Patent:** **\*\* Aug. 7, 2007**

- (54) **SAFETY BLINKER FOR CHILDREN AND PETS**
- (75) Inventor: **Peter M. Hass**, Orinda, CA (US)
- (73) Assignee: **Petsport USA, Inc.**, Pittsburg, CA (US)
- (\*\*) Term: **14 Years**
- (21) Appl. No.: **29/237,149**
- (22) Filed: **Aug. 25, 2005**
- (51) **LOC (8) Cl.** ..... **10-05**
- (52) **U.S. Cl.** ..... **D10/109; D10/114**
- (58) **Field of Classification Search** ..... D10/104–121; D26/37, 39, 41; 43/17.5; 362/84, 205, 203, 362/190, 186, 158, 116, 113, 103; D19/43–45, D19/83–85, 99; D3/209, 210, 215, 319  
 See application file for complete search history.

|           |      |         |                 |       |         |
|-----------|------|---------|-----------------|-------|---------|
| D437,065  | S *  | 1/2001  | Parker          | ..... | D26/37  |
| 6,179,431 | B1 * | 1/2001  | Chien           | ..... | 362/84  |
| 6,224,235 | B1 * | 5/2001  | Parker          | ..... | 362/190 |
| D448,102  | S *  | 9/2001  | Campman         | ..... | D26/41  |
| 6,607,282 | B2 * | 8/2003  | Saminski et al. | ..... | 362/84  |
| 6,732,469 | B2 * | 5/2004  | Lindgren        | ..... | 43/17.5 |
| 6,808,291 | B1 * | 10/2004 | Aylward et al.  | ..... | 362/205 |
| 6,908,209 | B2 * | 6/2005  | Miller          | ..... | 362/116 |

\* cited by examiner

*Primary Examiner*—Cathron C. Brooks  
*Assistant Examiner*—George D. Kirschbaum  
 (74) *Attorney, Agent, or Firm*—Holland & Knight LLP; Richard E. Lyon, Jr.

(56) **References Cited**

U.S. PATENT DOCUMENTS

|           |     |         |              |       |          |
|-----------|-----|---------|--------------|-------|----------|
| 2,180,228 | A * | 11/1939 | Florman      | ..... | 362/203  |
| 4,114,187 | A * | 9/1978  | Uke          | ..... | 362/158  |
| 4,303,970 | A * | 12/1981 | Robertson    | ..... | 362/203  |
| D263,506  | S * | 3/1982  | Chan         | ..... | D26/41   |
| 4,428,034 | A * | 1/1984  | Seller       | ..... | 362/186  |
| 4,875,145 | A * | 10/1989 | Roberts      | ..... | 362/103  |
| 5,008,784 | A * | 4/1991  | Wang         | ..... | 362/116  |
| 5,070,437 | A * | 12/1991 | Roberts, Sr. | ..... | 362/158  |
| 5,318,177 | A * | 6/1994  | Isacson      | ..... | 206/38.1 |
| D393,914  | S * | 4/1998  | Novros       | ..... | D26/39   |
| 5,929,571 | A * | 7/1999  | Pauly        | ..... | 315/127  |
| 6,089,728 | A * | 7/2000  | Weinstein    | ..... | 362/116  |

(57) **CLAIM**

The ornamental design for a safety blinker for children and pets, as shown and described.

**DESCRIPTION**

FIG. 1 is a perspective view of the safety blinker for children and pets, of my new design, the lens and light source being shown in dotted lines for illustrative purposes only as they are not part of the claimed design;

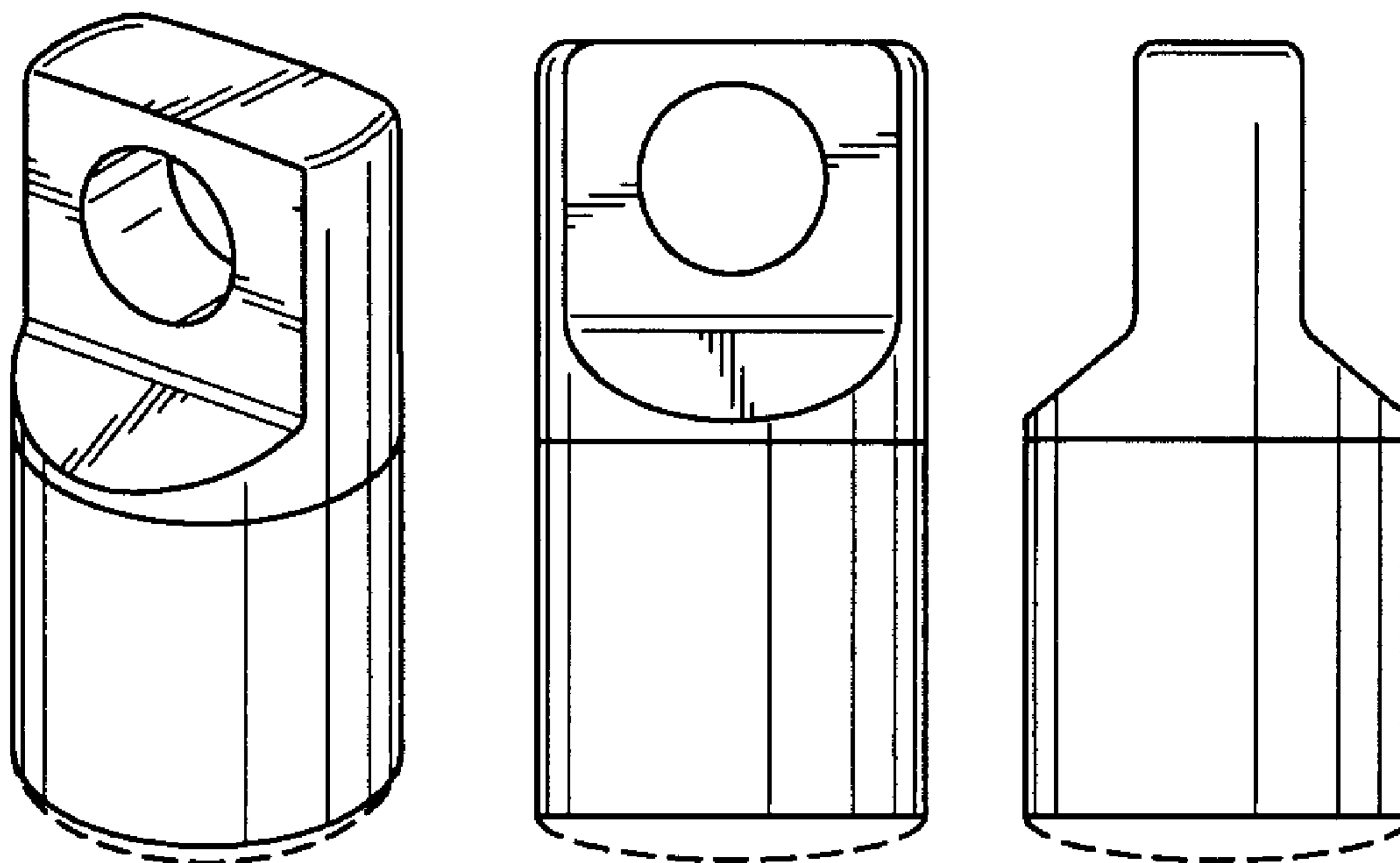
FIG. 2 is a front plan view thereof, the rear plan view being identical;

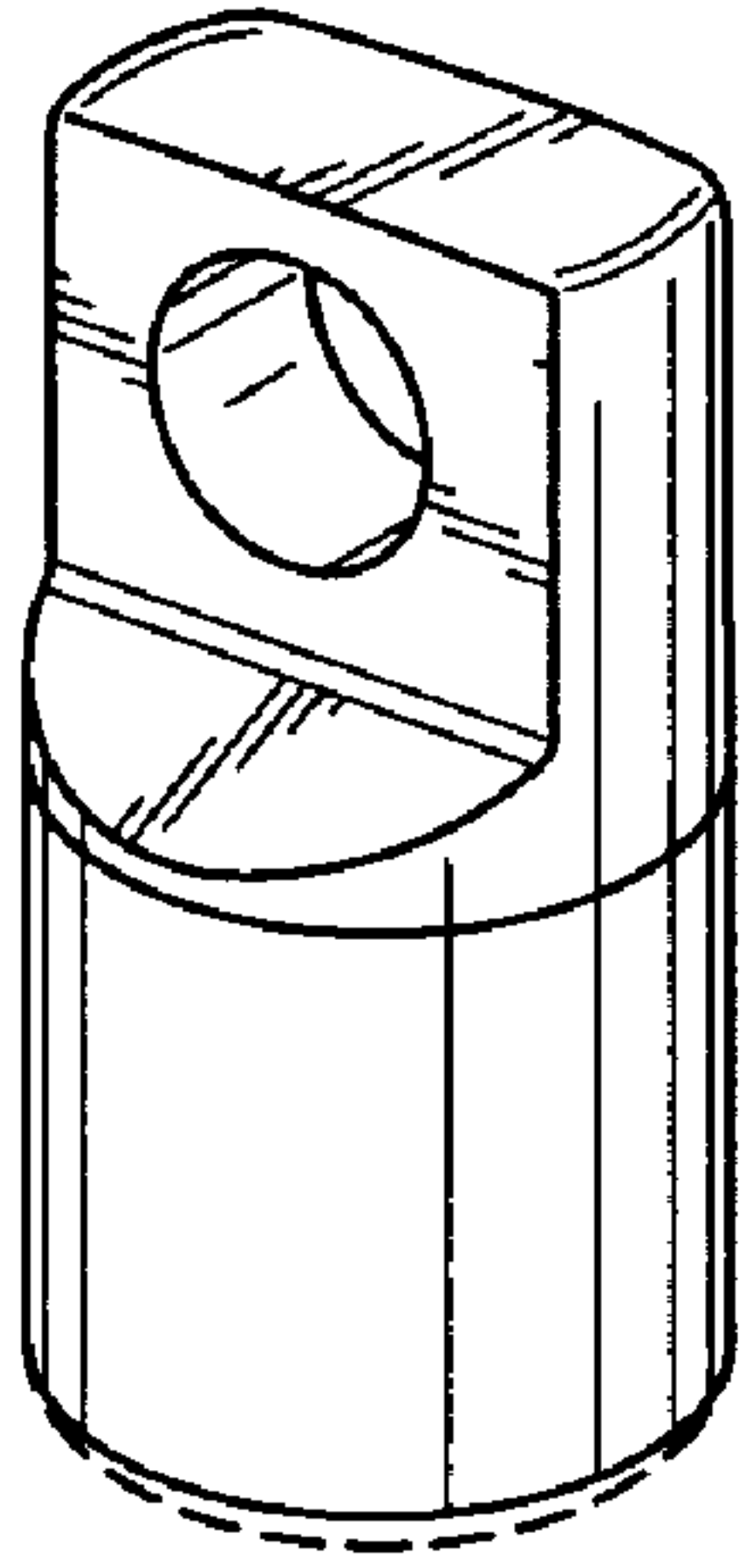
FIG. 3 is an end view thereof, the opposite end view being identical;

FIG. 4 is a top plan view thereof; and,

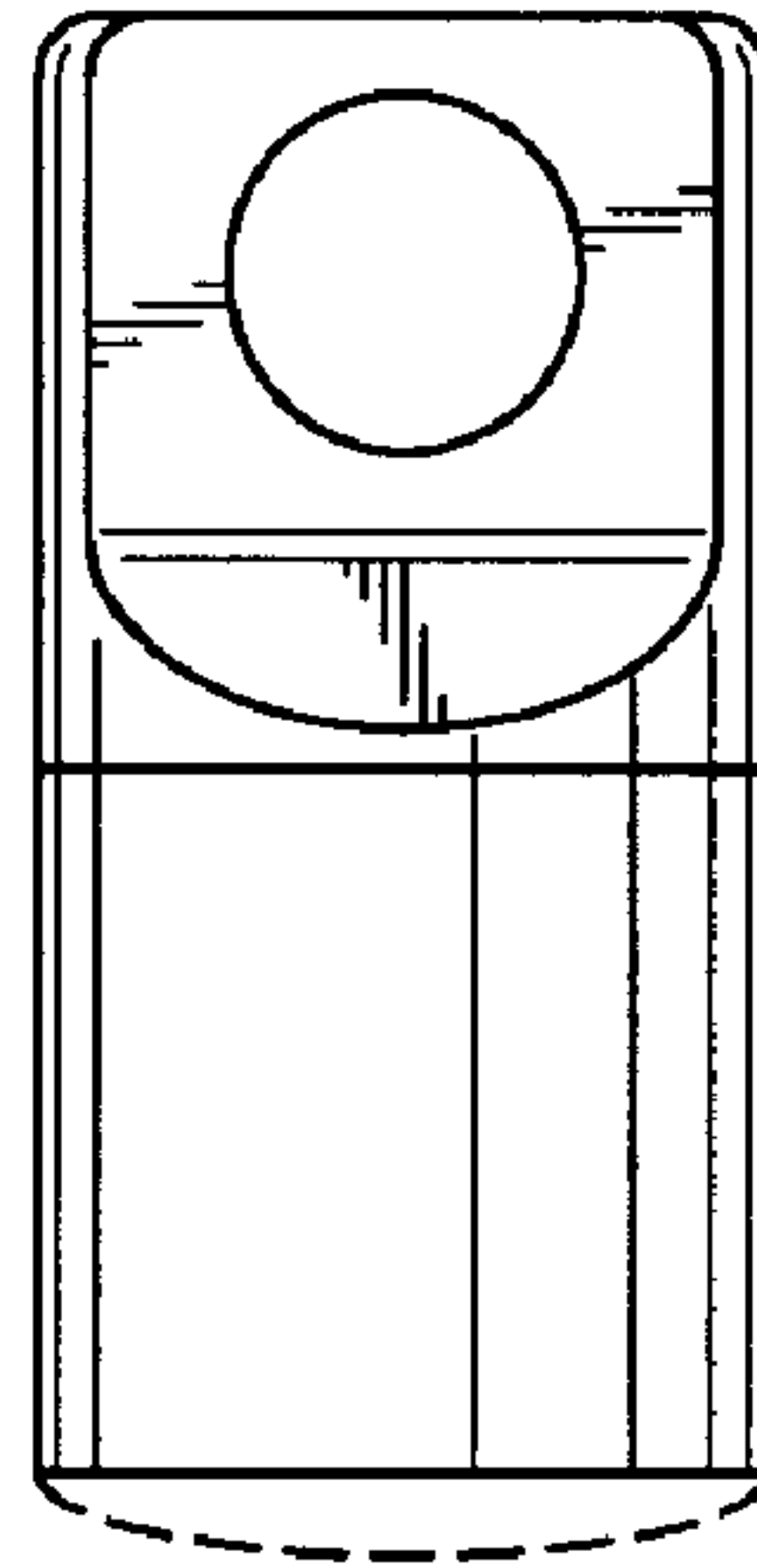
FIG. 5 is a bottom plan view thereof.

**1 Claim, 1 Drawing Sheet**

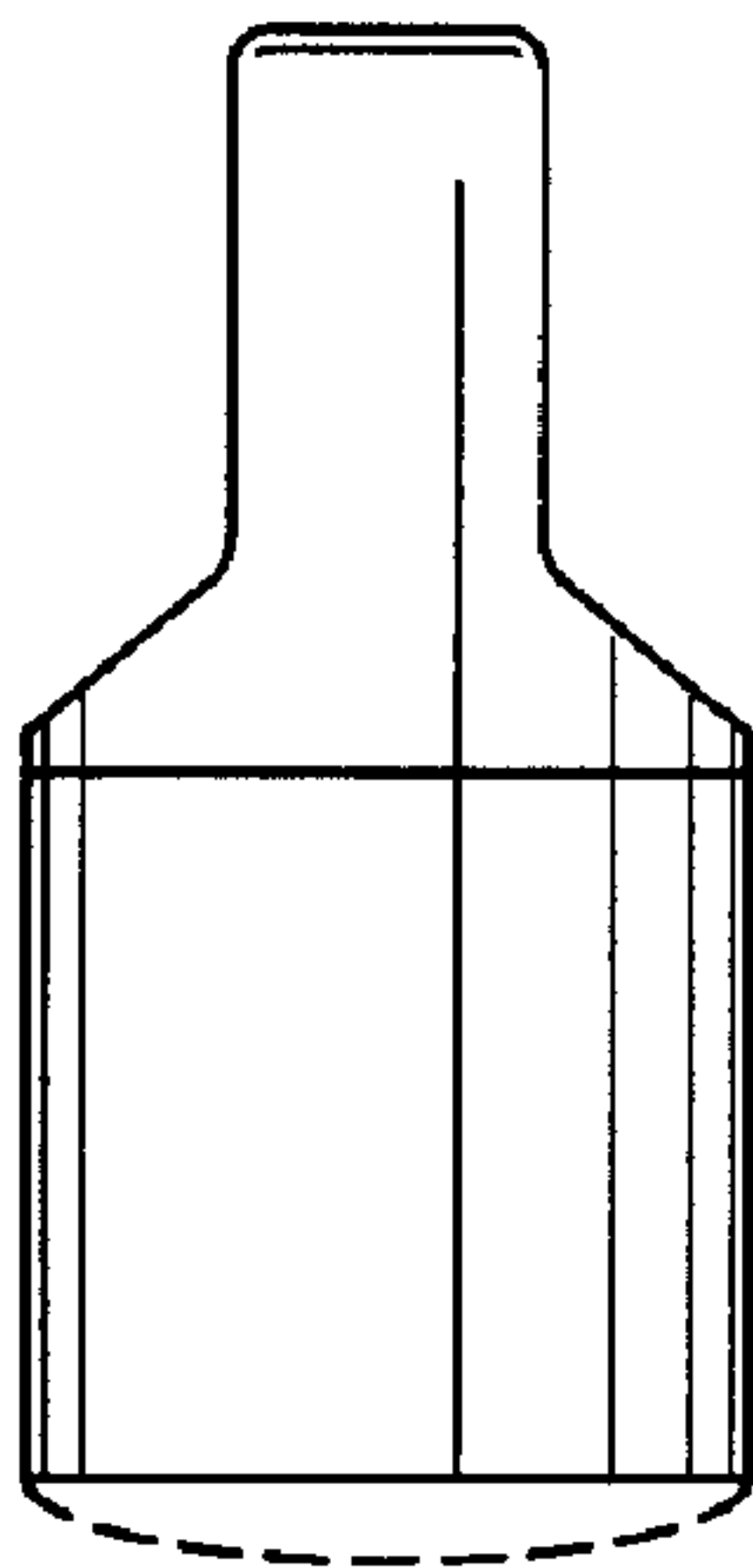




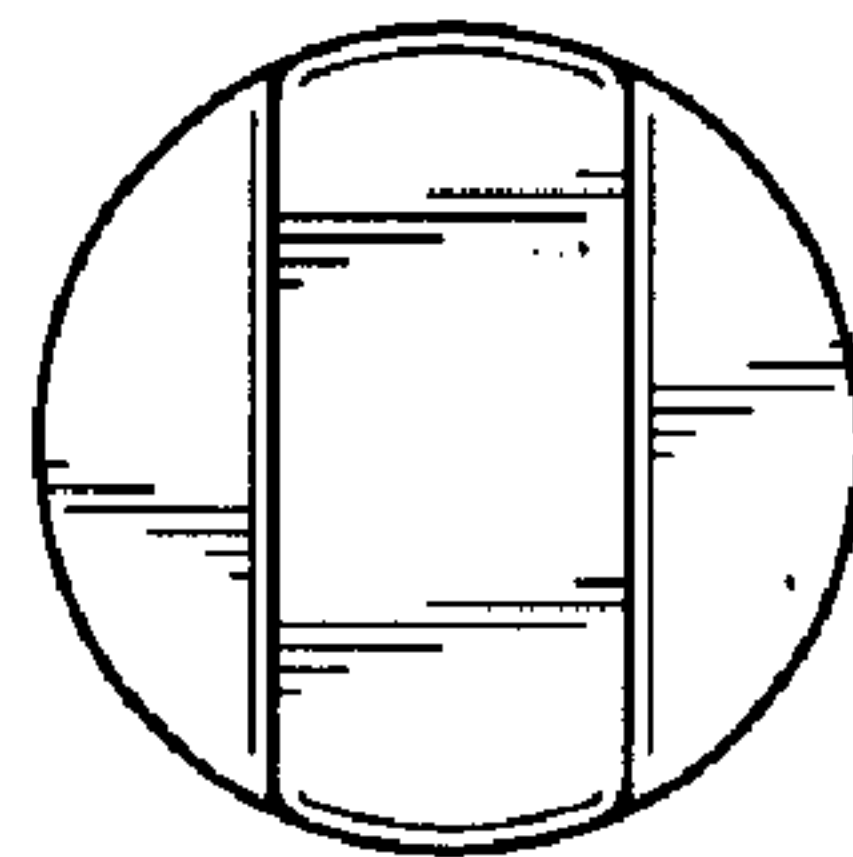
*FIG. 1*



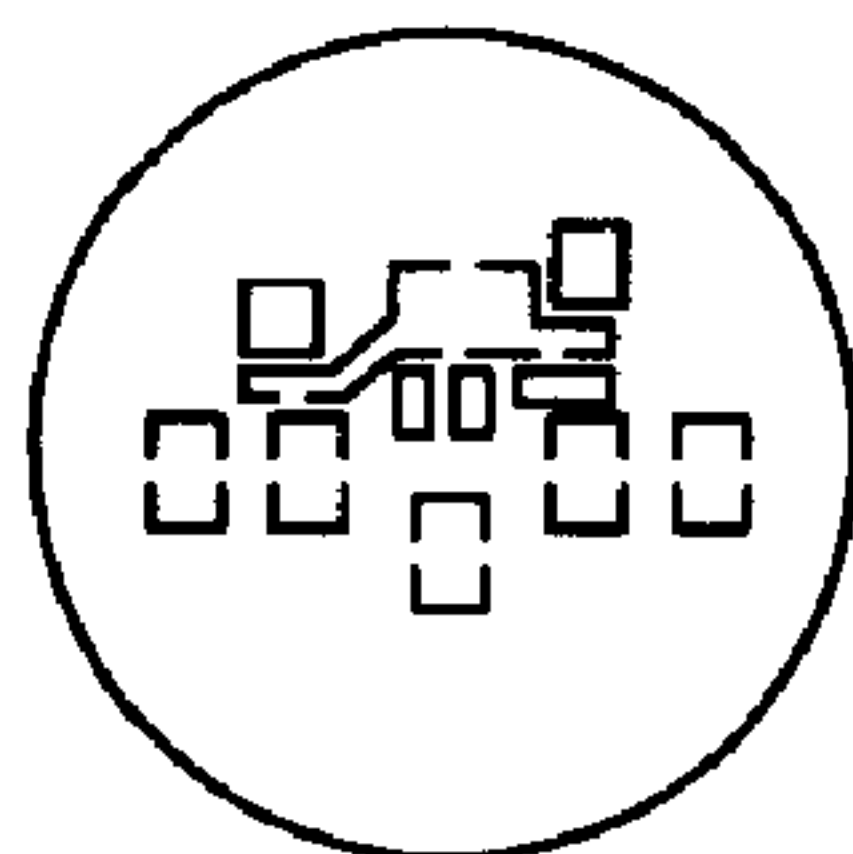
*FIG. 2*



*FIG. 3*



*FIG. 4*



*FIG. 5*