



US00D548125S

(12) **United States Design Patent**
Bandringa et al.

(10) **Patent No.:** **US D548,125 S**

(45) **Date of Patent:** **** Aug. 7, 2007**

(54) **PASSIVE INFRARED OCCUPANCY SENSOR**

(75) Inventors: **John Bandringa**, Everett, WA (US);
Yun Wu, Bayside, NY (US)

(73) Assignee: **Leviton Manufacturing Co., Inc.**,
Little Neck, NY (US)

(**) Term: **14 Years**

(21) Appl. No.: **29/255,618**

(22) Filed: **Mar. 10, 2006**

(51) **LOC (8) Cl.** **10-05**

(52) **U.S. Cl.** **D10/104**

(58) **Field of Classification Search** D10/104-121;
D26/38; 340/521, 540, 555, 556, 557, 565,
340/600, 628, 629, 630

See application file for complete search history.

(56) **References Cited**

U.S. PATENT DOCUMENTS

D290,239 S *	6/1987	Bergeron	D10/106
D292,892 S *	11/1987	Ronn et al.	D10/106
D301,696 S *	6/1989	Greenlee et al.	D10/106
D311,877 S *	11/1990	Cheng	D10/104
D312,053 S *	11/1990	Jacobs et al.	D10/106
D335,467 S *	5/1993	Cheng	D10/106
D359,922 S *	7/1995	Sandell	D10/106
D359,923 S *	7/1995	Sandell	D10/106
D360,157 S *	7/1995	Sandell et al.	D10/106
D376,117 S *	12/1996	Kovens	D10/106
D376,331 S *	12/1996	Cuomo	D10/106
D377,619 S *	1/1997	Sandell	D10/106
D413,277 S *	8/1999	Scheibe	D10/106
D421,403 S *	3/2000	Kanzaki	D10/106
D424,727 S *	5/2000	Greubel	D26/51
D427,101 S *	6/2000	Leen	D10/106
D427,928 S *	7/2000	Hiller et al.	D10/104

D428,352 S *	7/2000	Hiller et al.	D10/106
D428,581 S *	7/2000	Hiller et al.	D10/106
D434,992 S *	12/2000	Hiller et al.	D10/106
D435,799 S *	1/2001	Leen	D10/104
6,175,309 B1 *	1/2001	Drake et al.	340/545.3
D438,133 S *	2/2001	Leen	D10/106
D459,264 S *	6/2002	Wong	D10/106
6,472,997 B2 *	10/2002	Leen	340/815.45
D466,429 S *	12/2002	Sandell et al.	D10/106
D506,695 S *	6/2005	Monroe et al.	D10/104
D510,535 S *	10/2005	Sandell	D10/104
D511,705 S *	11/2005	Bandringa et al.	D10/104
2002/0030593 A1 *	3/2002	Leen	340/540

* cited by examiner

Primary Examiner—Robert M. Spear

Assistant Examiner—George D. Kirschbaum, Jr.

(74) *Attorney, Agent, or Firm*—Paul J. Sutton

(57) **CLAIM**

The ornamental design for a passive infrared occupancy sensor, as shown and described.

DESCRIPTION

FIG. 1 is a front isometric view of a passive infrared occupancy sensor showing our new design;

FIG. 2 is a rear isometric view thereof;

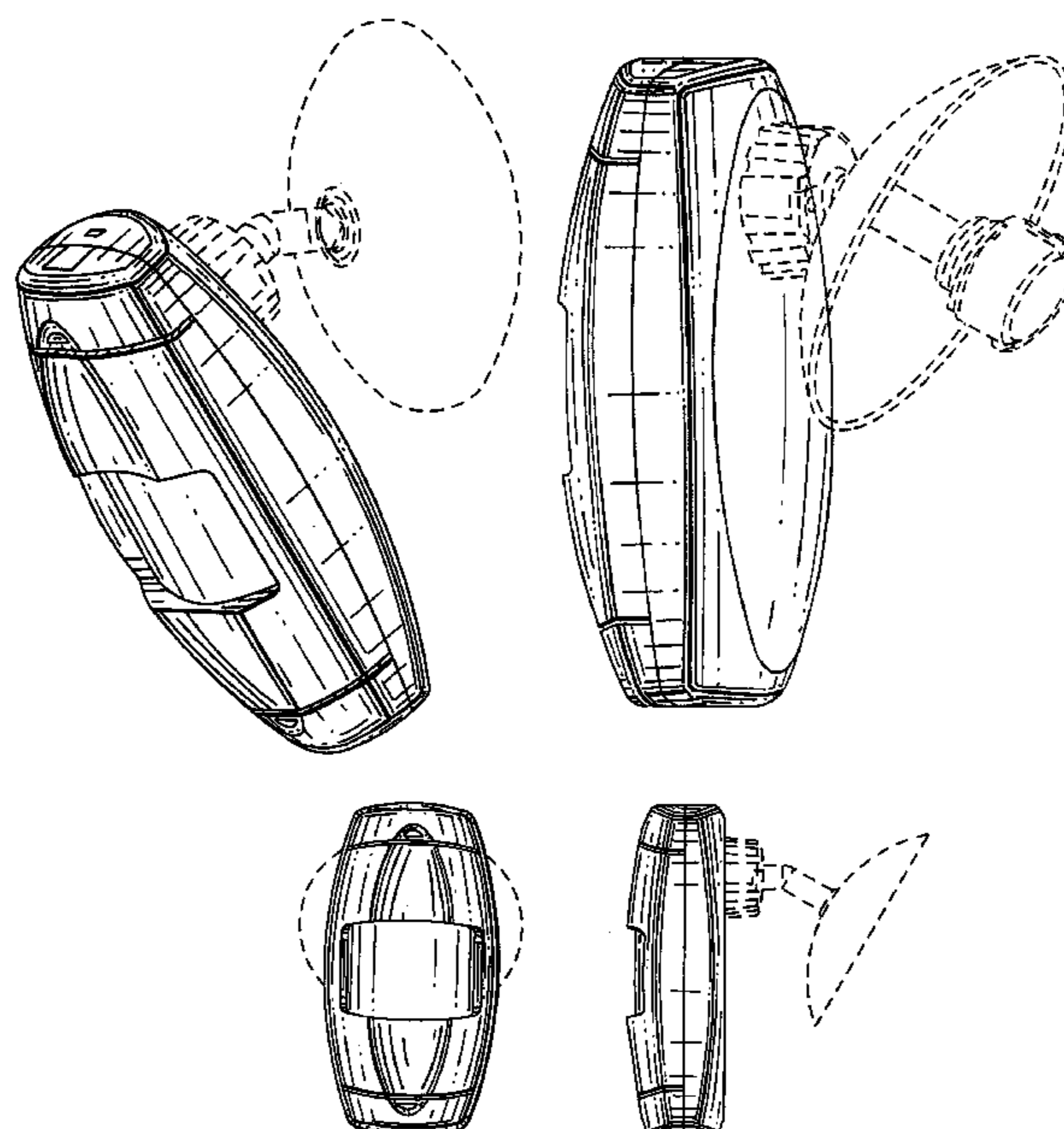
FIG. 3 is a front view thereof;

FIG. 4 is a right side view thereof, the left side view being a mirror image; and,

FIG. 5 is a top view thereof.

The broken line showing of the mounting bracket for a passive infrared occupancy sensor in FIGS. 1, 2, 3, 4 and 5 forms no part of the claimed design.

1 Claim, 3 Drawing Sheets



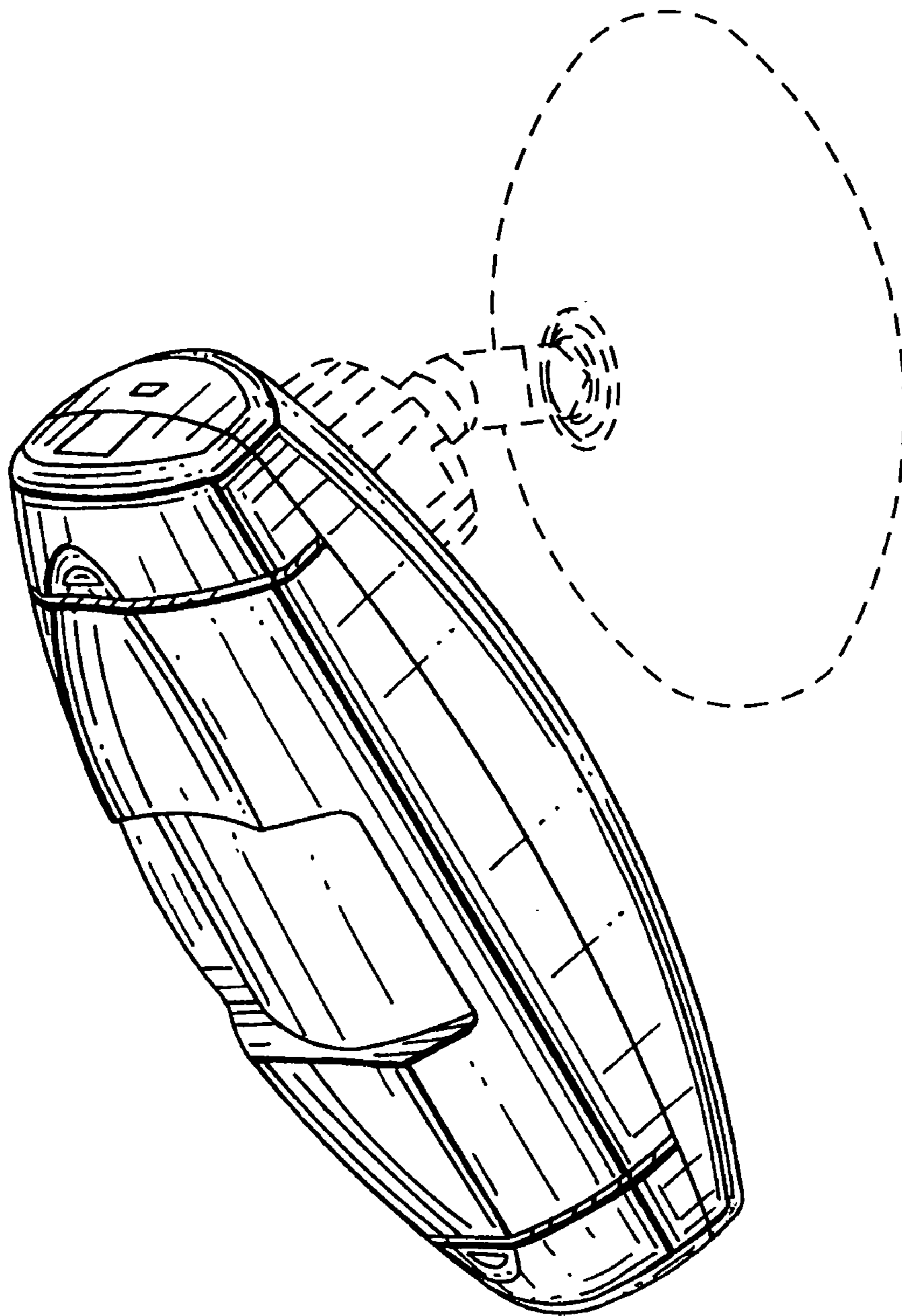


FIG. 1

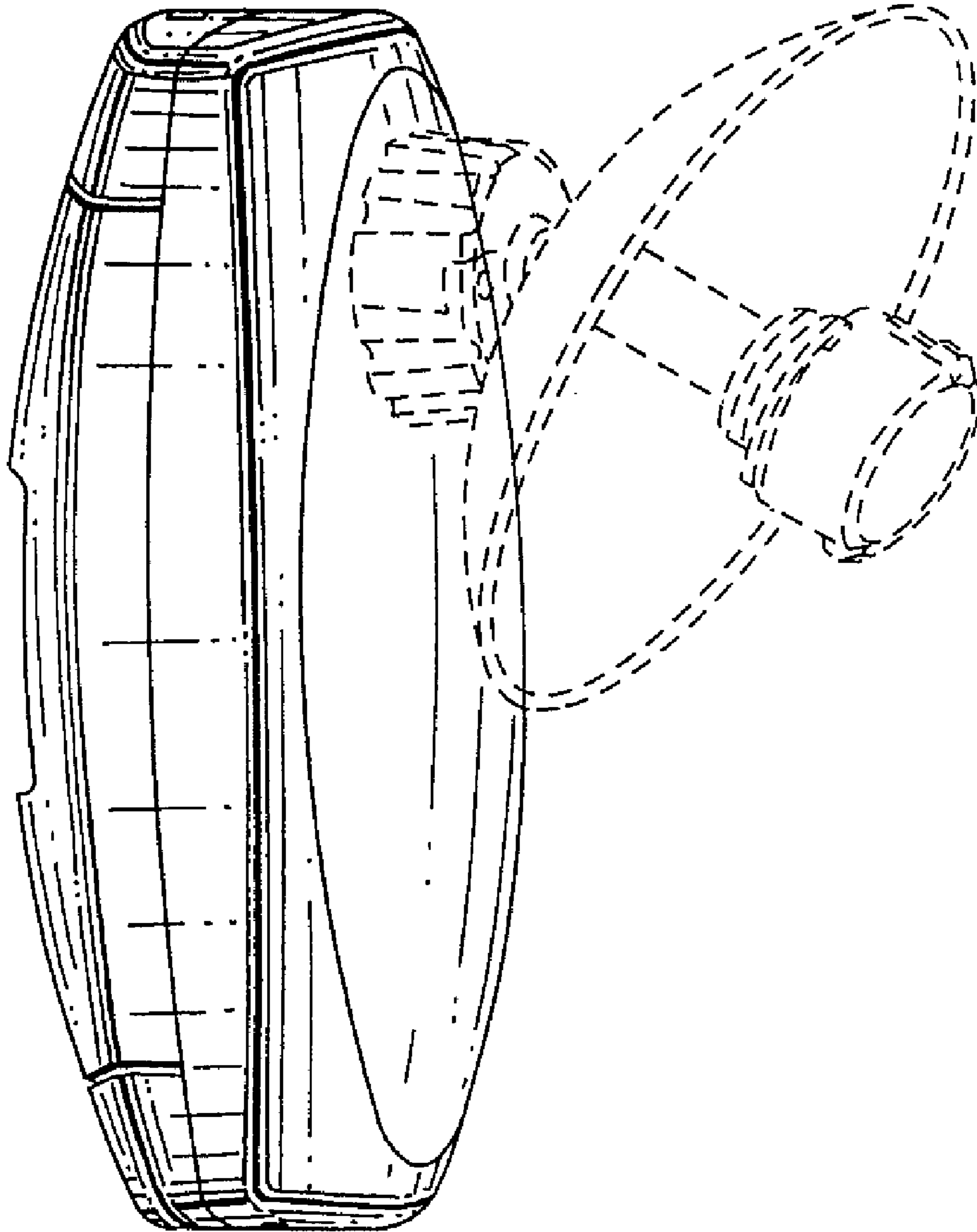


FIG. 2

FIG. 3

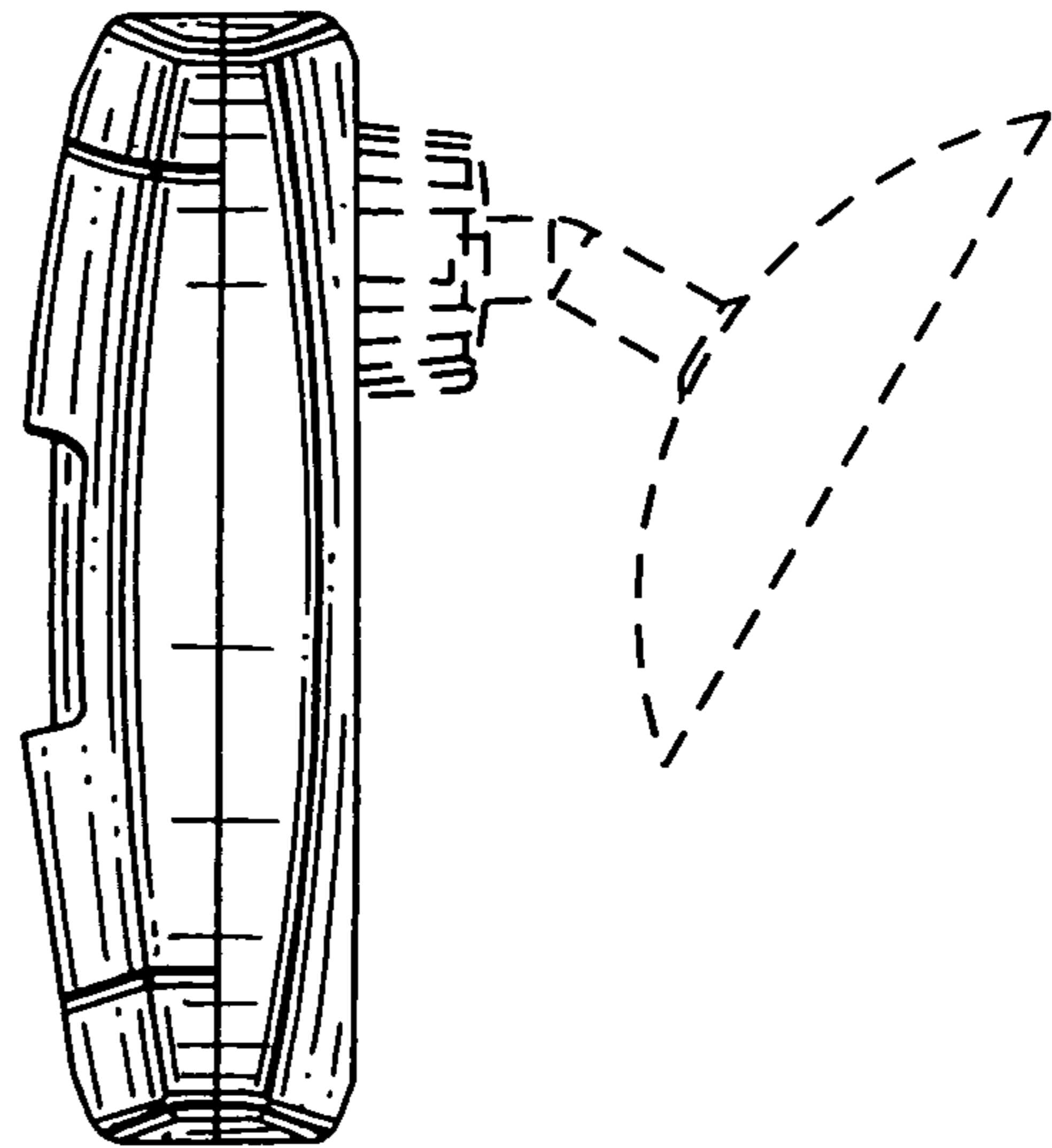
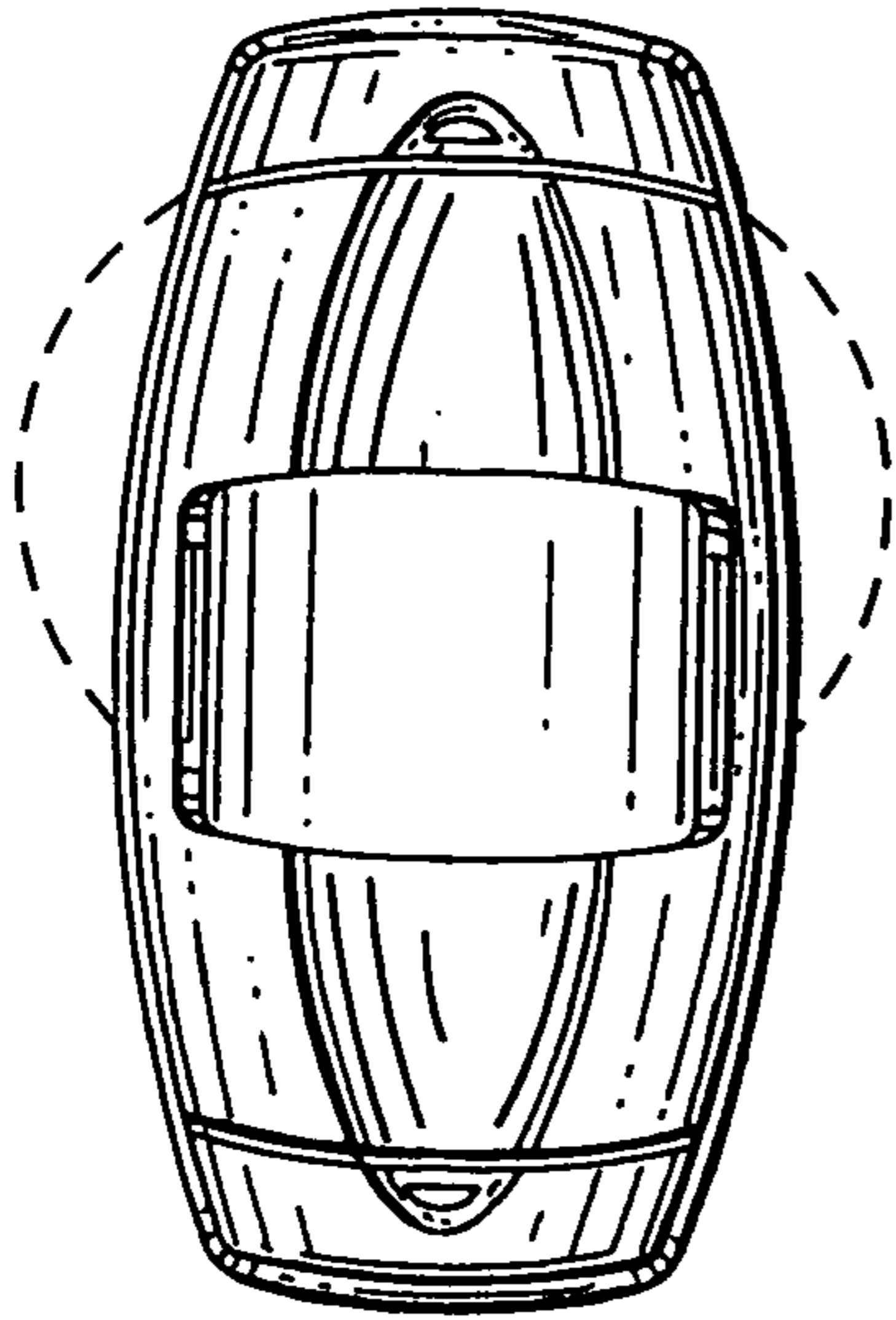


FIG. 4

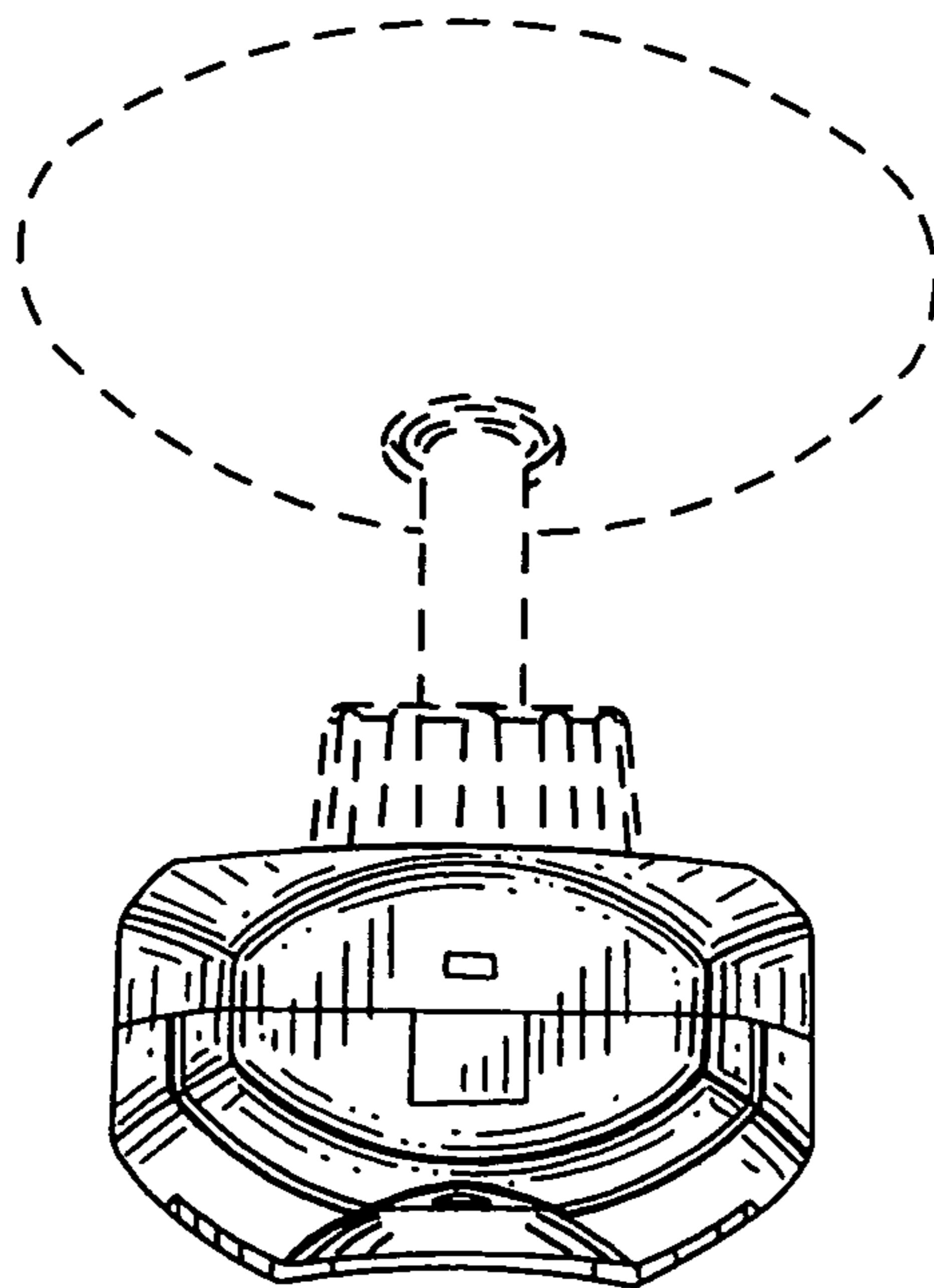


FIG. 5