



US00D548124S

(12) **United States Design Patent**
Caruana

(10) **Patent No.:** **US D548,124 S**

(45) **Date of Patent:** **** Aug. 7, 2007**

(54) **FULL GRIP TRIGGER MECHANISM FOR WADING ROD**

(75) **Inventor:** **Joseph Raymond Caruana**, Glenmore Park (AU)

(73) **Assignee:** **Hydrological Services Pty Ltd.**, Sydney (AU)

(**) **Term:** **14 Years**

(21) **Appl. No.:** **29/236,500**

(22) **Filed:** **Aug. 17, 2005**

(51) **LOC (8) Cl.** **10-04**

(52) **U.S. Cl.** **D10/103**

(58) **Field of Classification Search** D15/199;
D10/96, 103; 73/170.29, 170.11, 861.79,
73/198, 170.08, 861.85; 416/234

See application file for complete search history.

(56) **References Cited**

U.S. PATENT DOCUMENTS

- 4,854,166 A * 8/1989 Futrell, II 73/170.29
- 4,866,985 A * 9/1989 Futrell, II 73/170.29
- 5,878,813 A * 3/1999 Ridgeway, Jr. 166/162

* cited by examiner

Primary Examiner—Antoine D. Davis

(74) *Attorney, Agent, or Firm*—Stephen C. Beuerle;
Procopio, Cory, Hargreaves & Savitch LLP

(57) **CLAIM**

The ornamental design for a full grip trigger mechanism for wading rod, as shown and described.

DESCRIPTION

FIG. 1 is a perspective view of a U.S. Geological Survey (USGS) wading rod with an embodiment of the full grip trigger mechanism for wading rod shown therewith.

FIG. 2 is a rear perspective view of the full grip trigger mechanism.

FIG. 3 is a front elevational view of the full grip trigger mechanism.

FIG. 4 is a top plan view of the full grip trigger mechanism, the bottom plan view being identical.

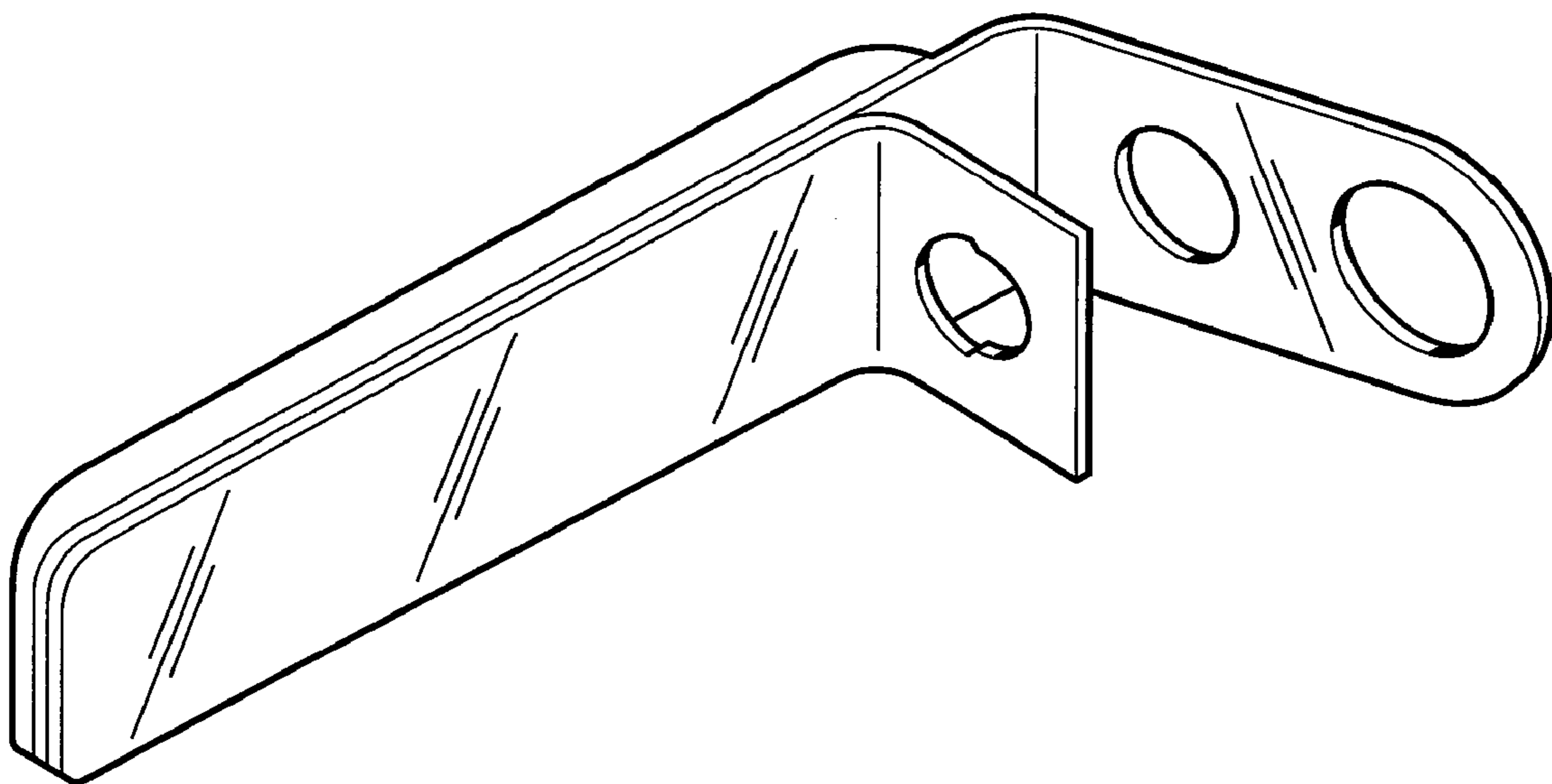
FIG. 5 is a left side elevational view of the full grip trigger mechanism.

FIG. 6 is a right side elevational view of the full grip trigger mechanism; and,

FIG. 7 is a rear elevational view of the full grip trigger mechanism.

The broken lines shown in FIGS. 1–7 are included for the purpose of illustrating environmental elements only and form no part of the claimed design.

1 Claim, 2 Drawing Sheets



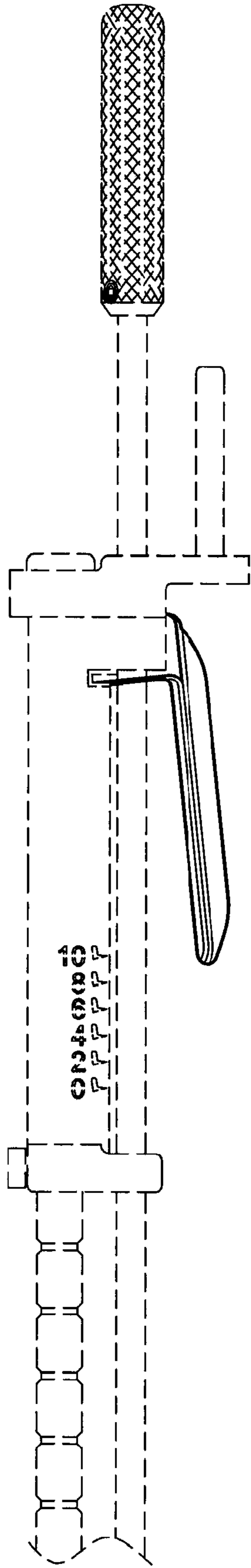


FIG. 1

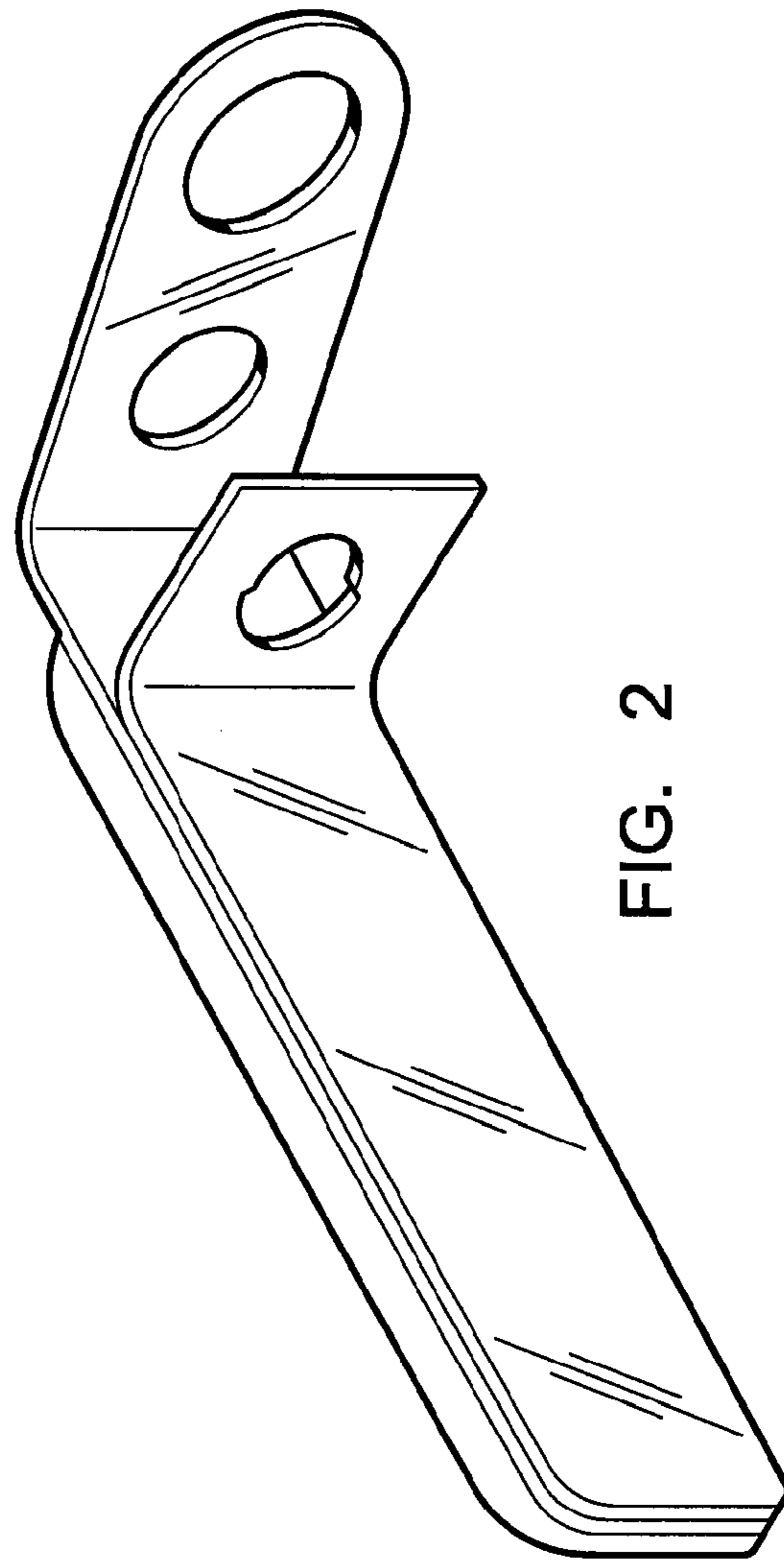


FIG. 2

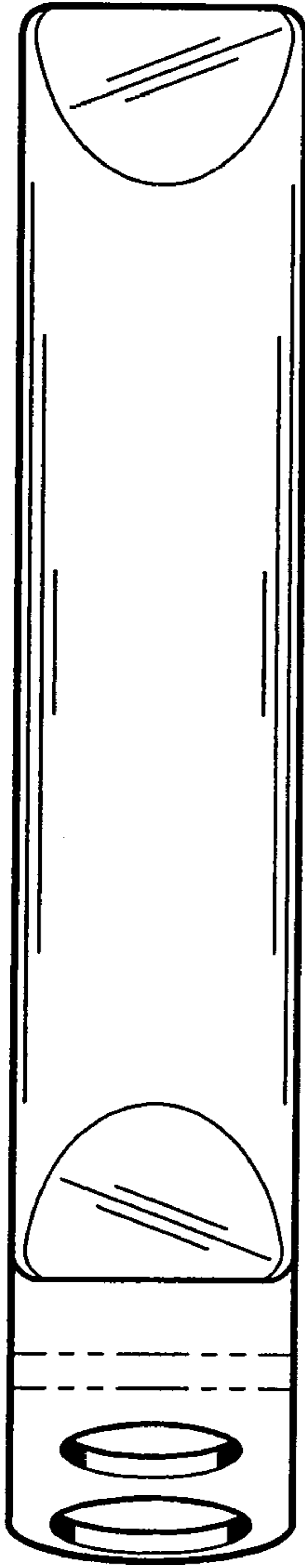


FIG. 3



FIG. 5

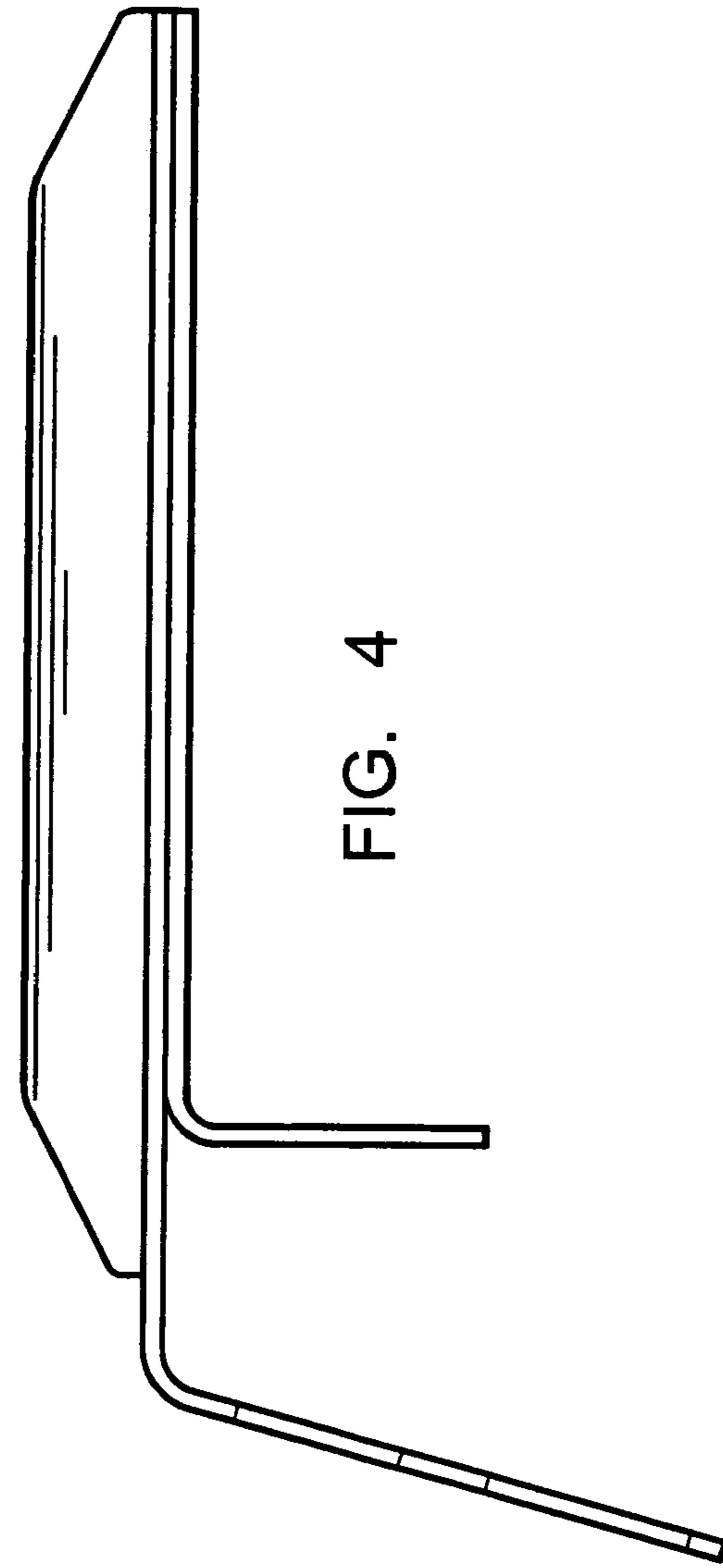


FIG. 4

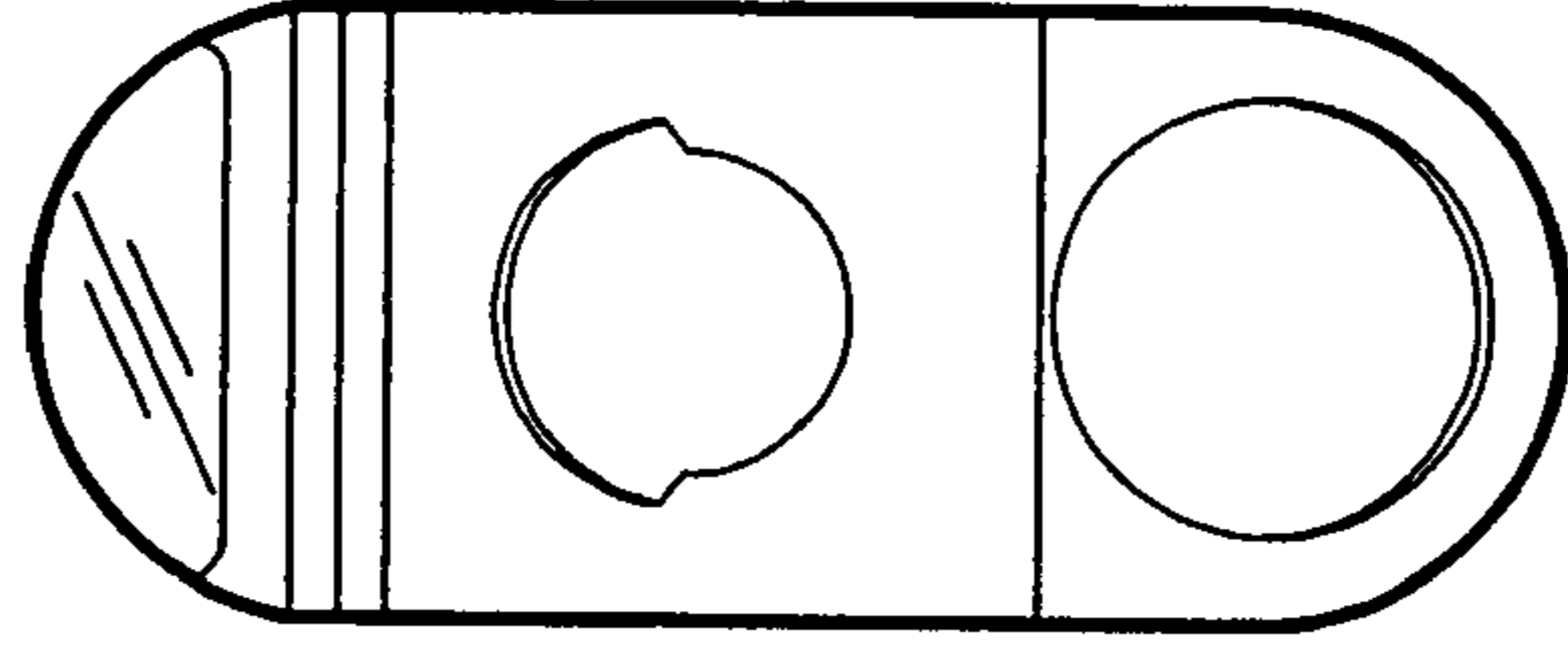


FIG. 6

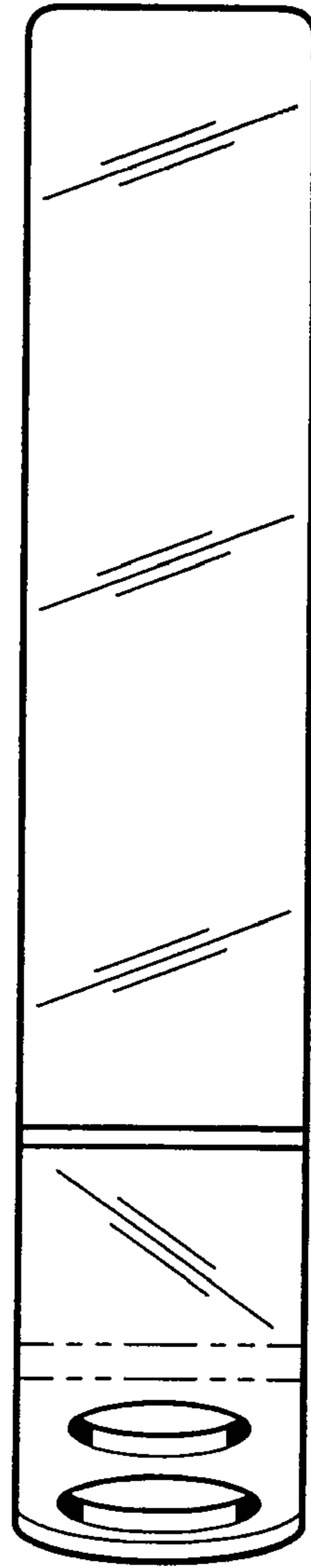


FIG. 7