

US00D548122S

(12) **United States Design Patent**
Vantine

(10) **Patent No.:** **US D548,122 S**

(45) **Date of Patent:** **** Aug. 7, 2007**

(54) **MATCHBOX SHAPED SCALE**

(57) **CLAIM**

(76) **Inventor:** **Lee Wayne Vantine**, 1836 Ashley River Rd., Suite 320, Charleston, SC (US) 29407

We claim the ornamental design for a matchbox shaped scale, as shown and described.

(**) **Term:** **14 Years**

DESCRIPTION

(21) **Appl. No.:** **29/267,595**

(22) **Filed:** **Oct. 16, 2006**

(51) **LOC (8) Cl.** **10-04**

(52) **U.S. Cl.** **D10/91**

(58) **Field of Classification Search** D10/87-95; 177/4, 25.12-25.16, 177, 199, 210 R, 238-245, 177/DIG. 3, 262, 210 C, 30, 126-127; 324/692, 324/512, 515, 806; 600/506, 547
See application file for complete search history.

FIG. 1 is a top perspective view of a matchbox shaped scale according to the new design, with the outer cover partially covering the inner piece.

FIG. 2 is a top perspective view of the inner piece.

FIG. 3 is a top view of the inner piece.

FIG. 4 is a bottom view of the inner piece.

FIG. 5 is a front side view of the inner piece.

FIG. 6 is a right side view of the inner piece.

FIG. 7 is a perspective view of the cover.

FIG. 8 is a top view of the cover.

FIG. 9 is a bottom view of the cover.

FIG. 10 is a side view of the matchbox shaped scale, with the inner piece completely inside the cover; and,

FIG. 11 is a top perspective view of the matchbox shaped scale, with the inner piece completely inside the cover.

The broken lines are shown for illustrative purposes only and form no part of the claimed design.

(56) **References Cited**

U.S. PATENT DOCUMENTS

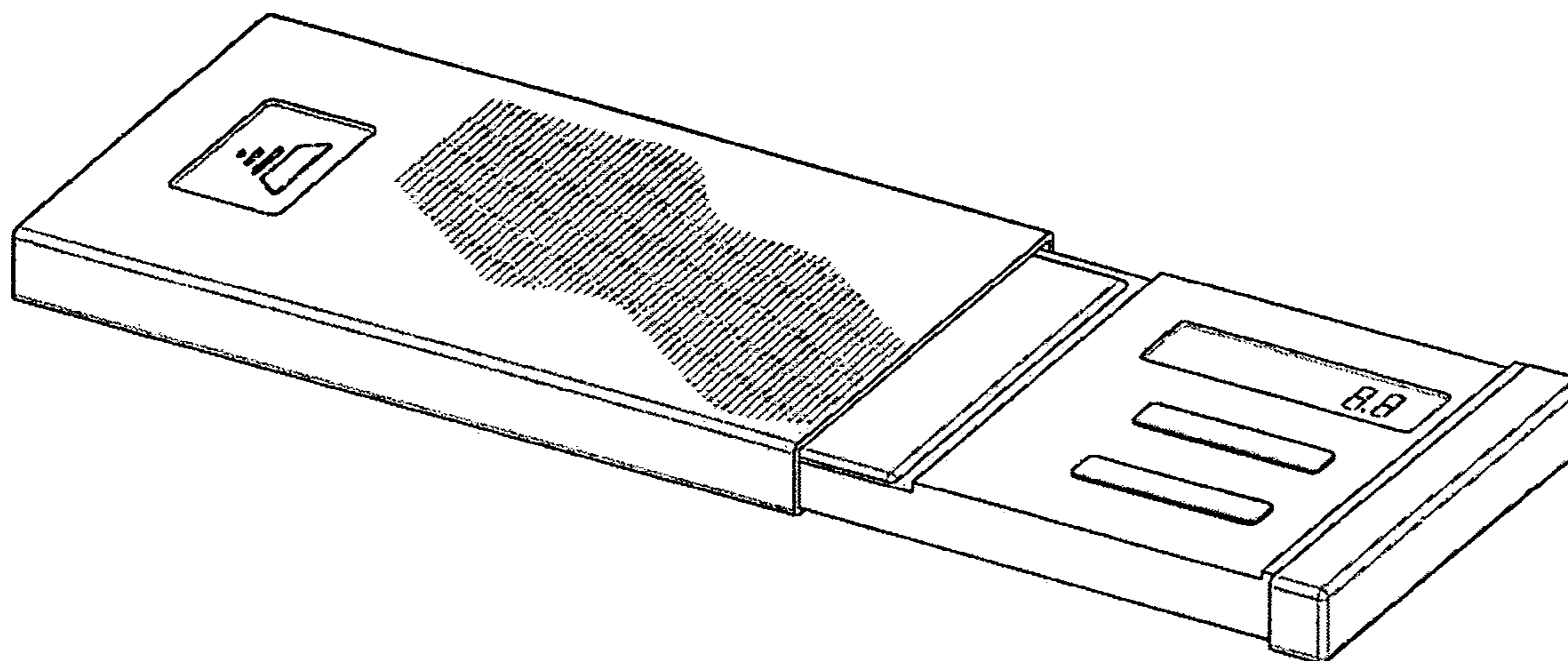
| | | | |
|--------------|--------|---------------|--------------|
| D307,873 S | 5/1990 | Hart et al. | |
| D472,833 S * | 4/2003 | Thadani | D10/91 |
| D478,826 S | 8/2003 | Barnes | |
| D502,883 S | 3/2005 | Barnes et al. | |
| D525,891 S | 8/2006 | Guan | |

* cited by examiner

Primary Examiner—Antoine D. Davis

(74) *Attorney, Agent, or Firm*—Patel & Alunit, P.C.; Edwin Tarver; Ty Ung

1 Claim, 11 Drawing Sheets



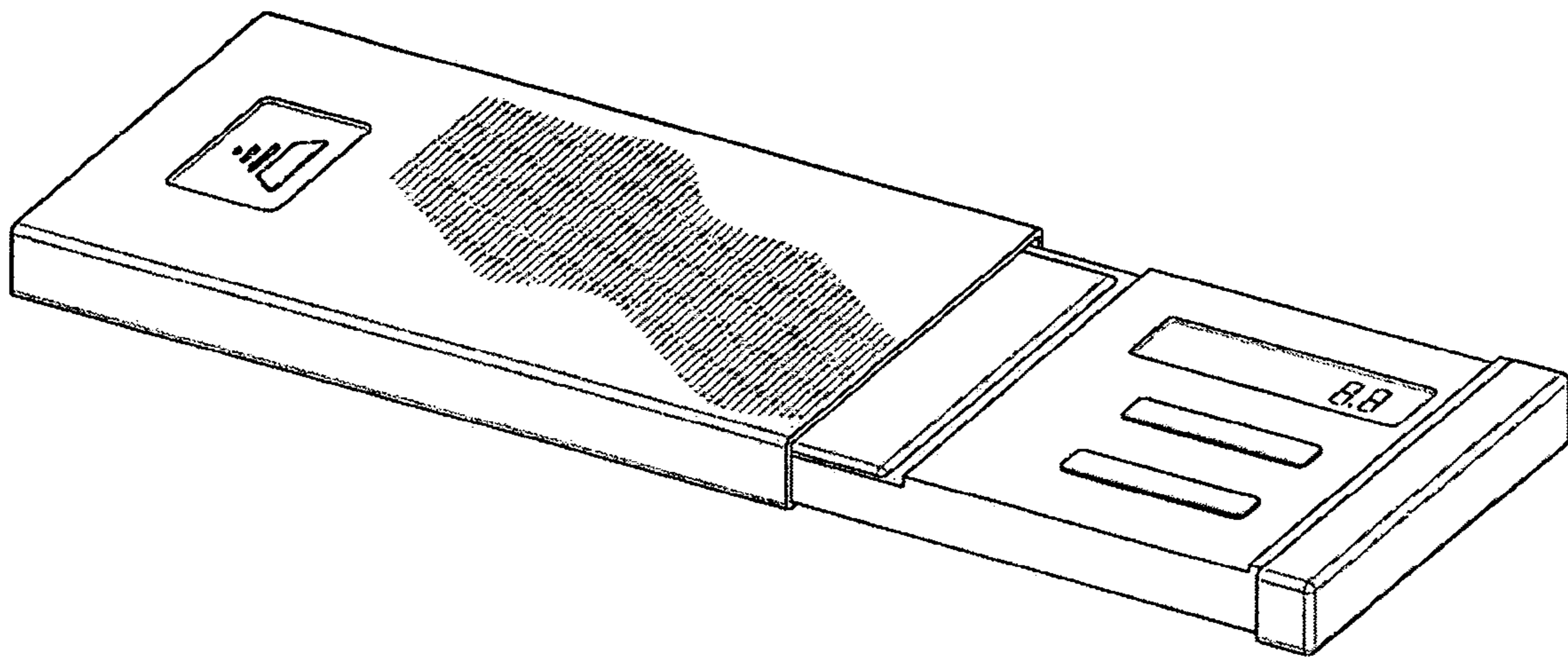


FIG. 1

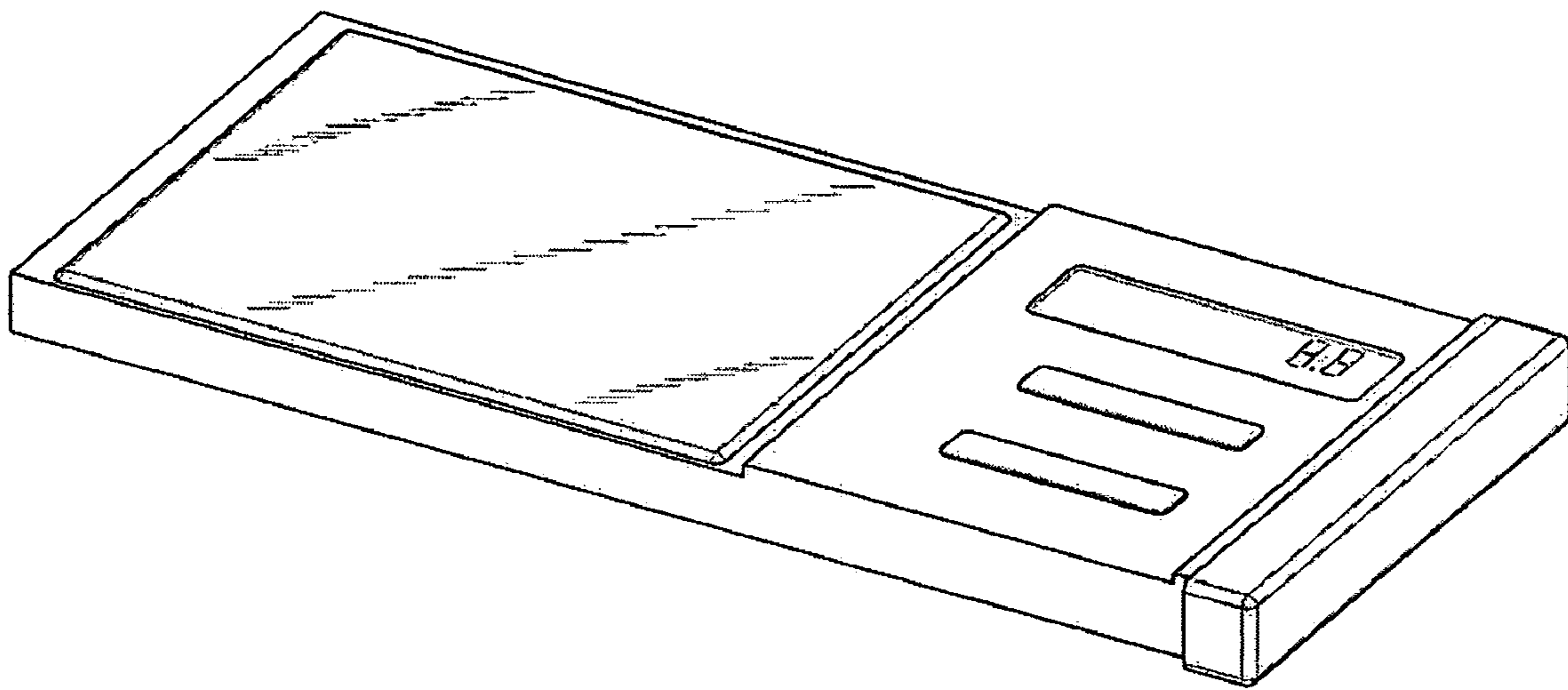


FIG. 2

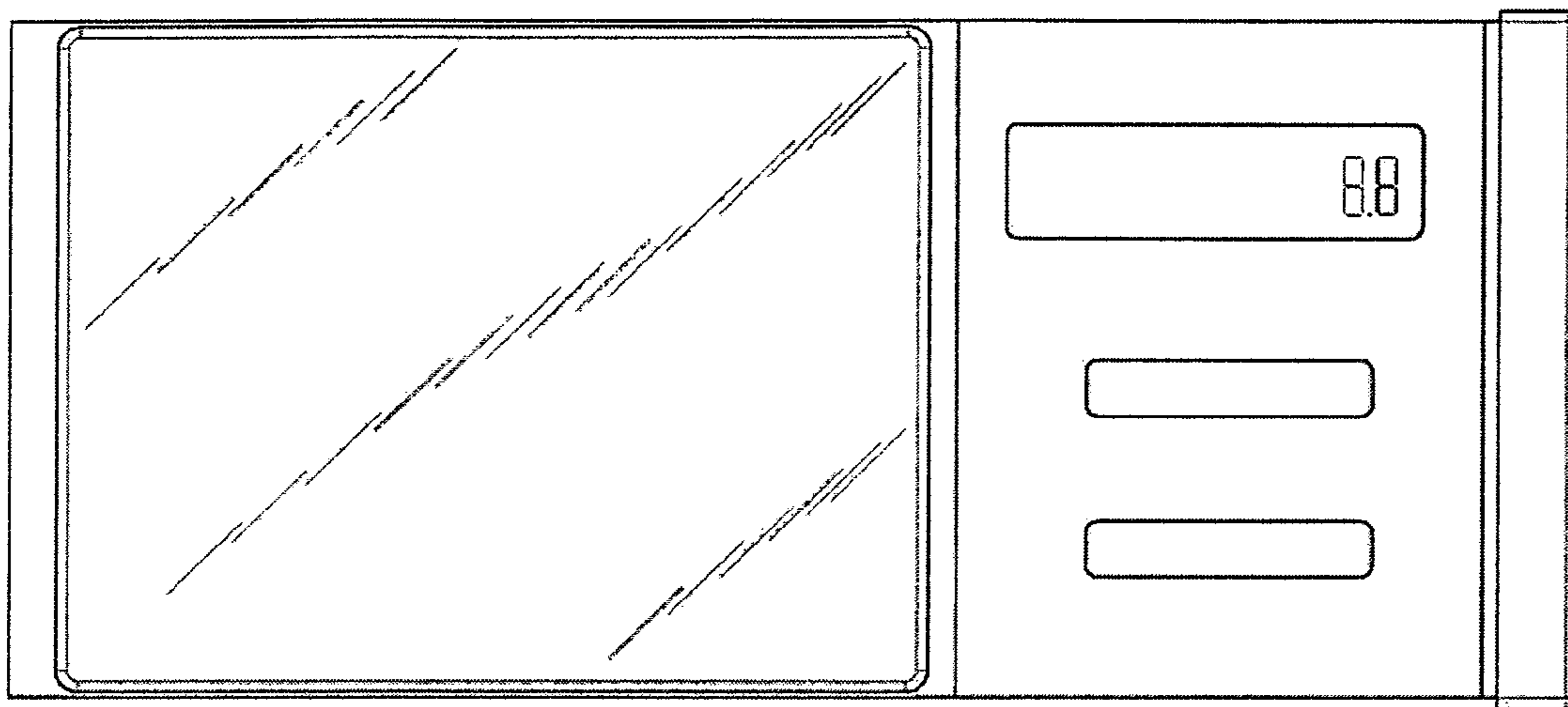


FIG. 3

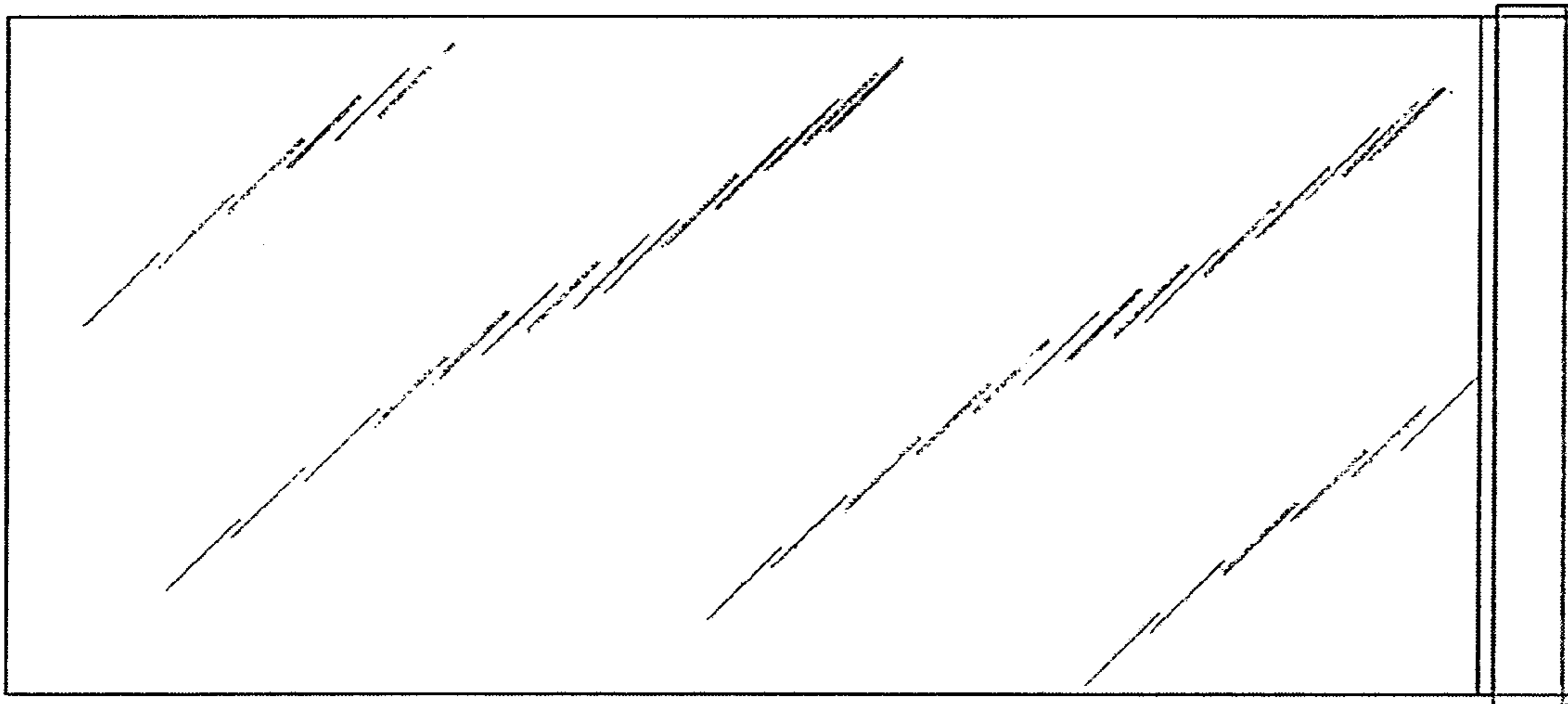


FIG. 4

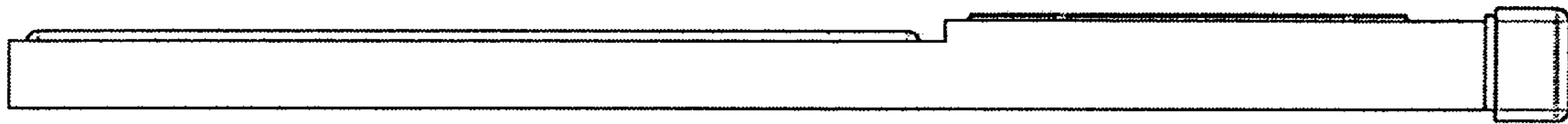


FIG. 5

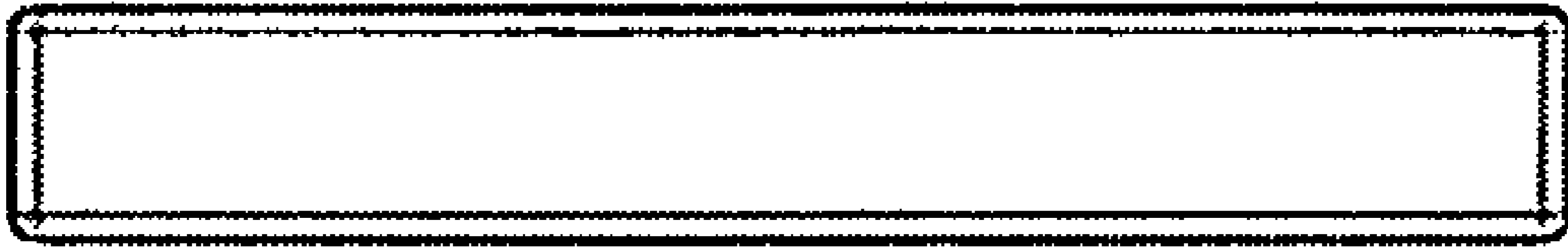


FIG. 6

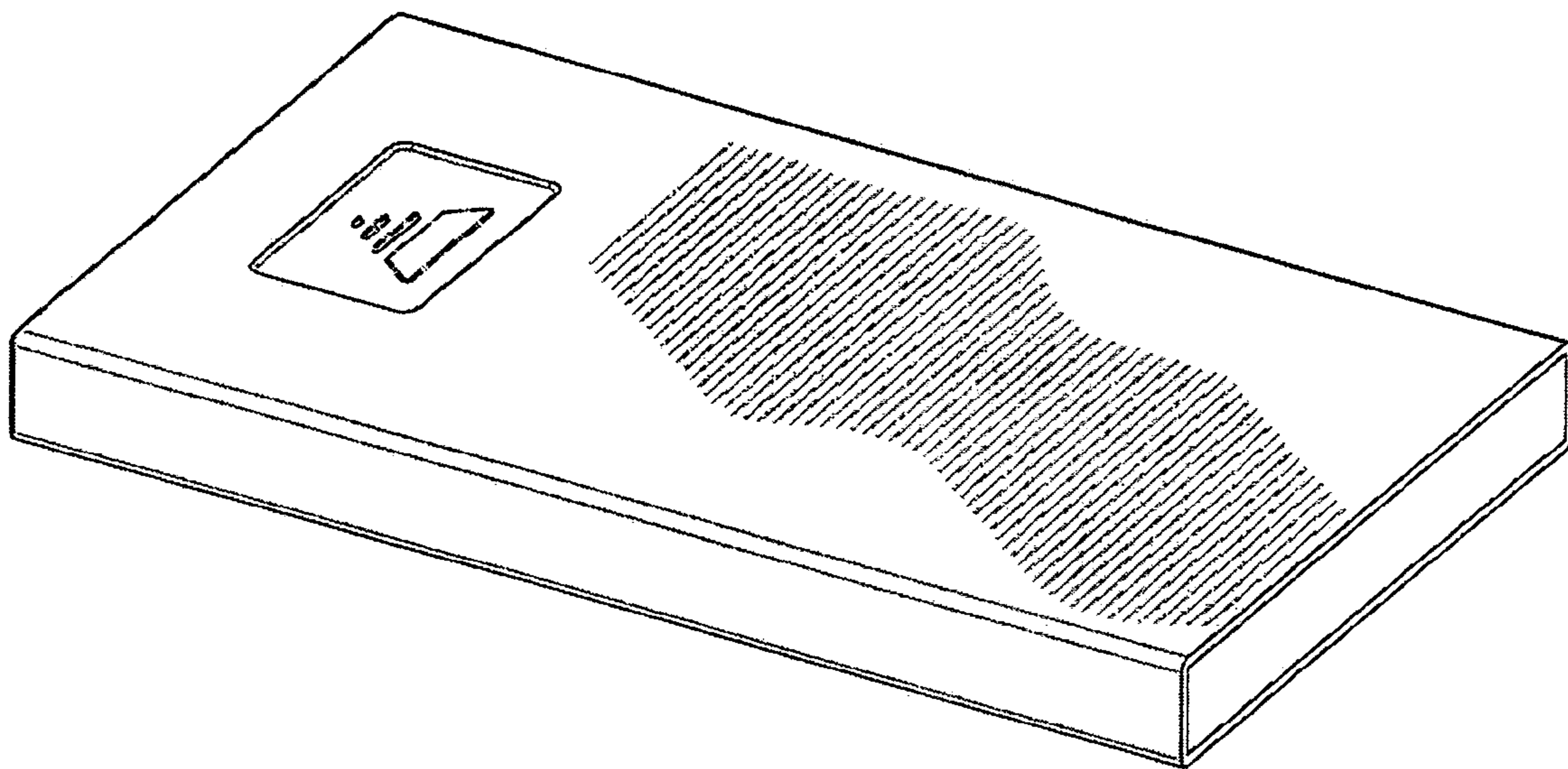


FIG. 7

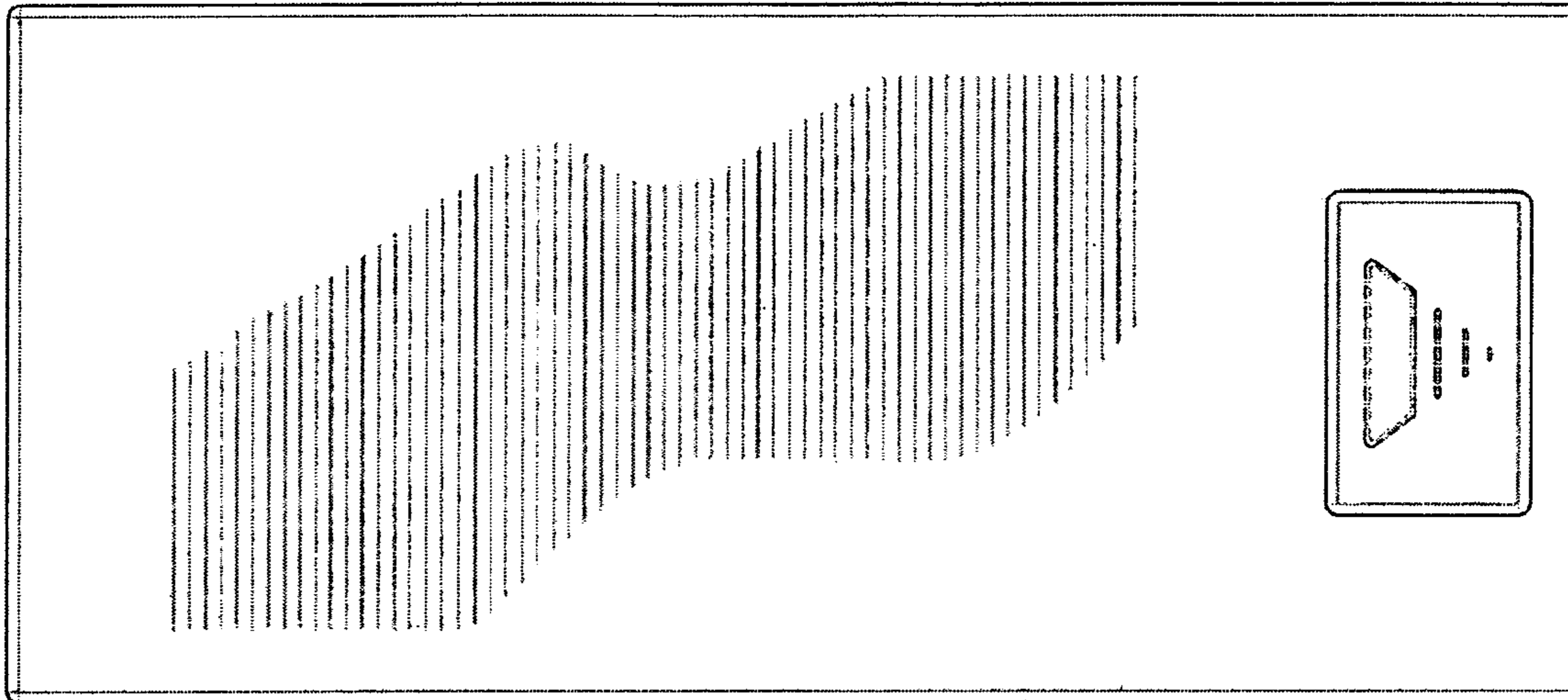


FIG. 8

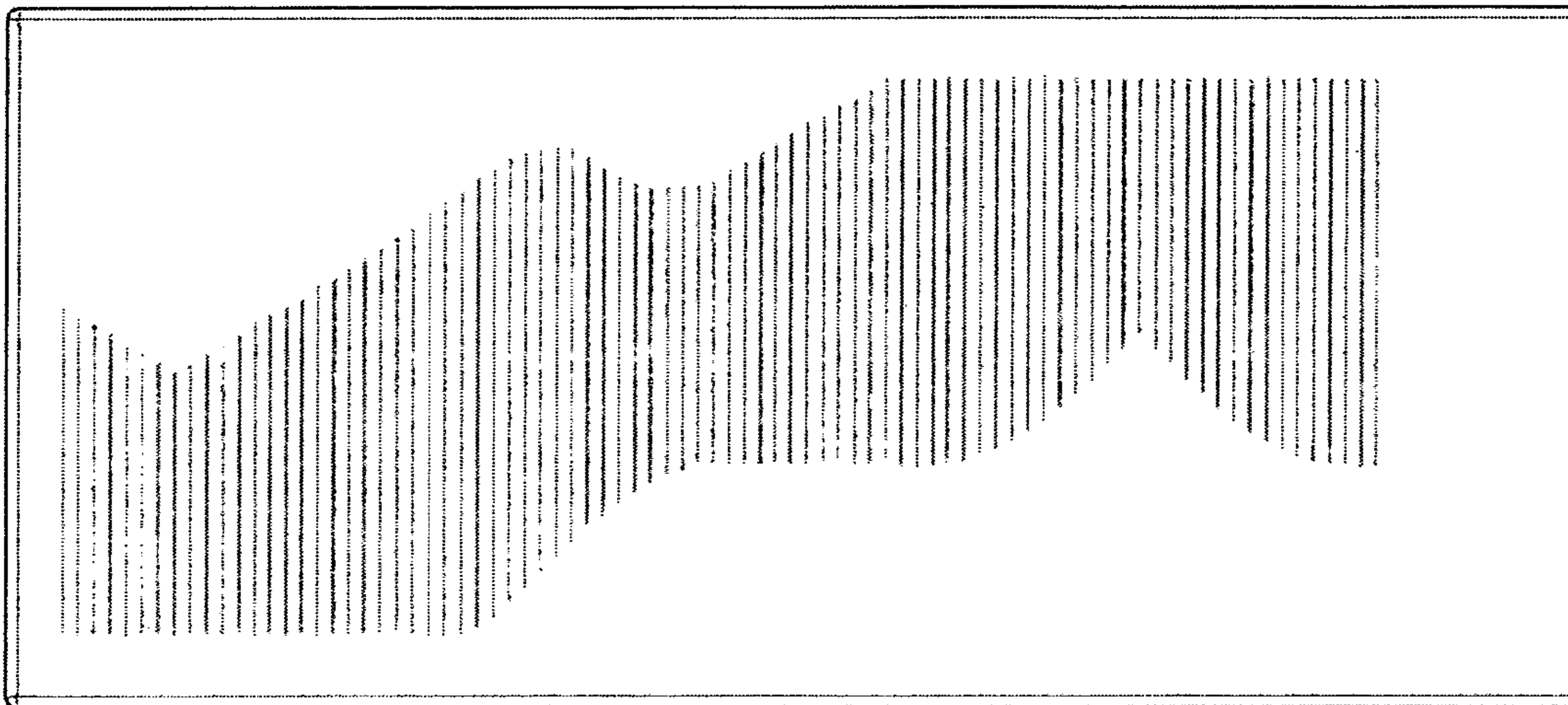


FIG. 9

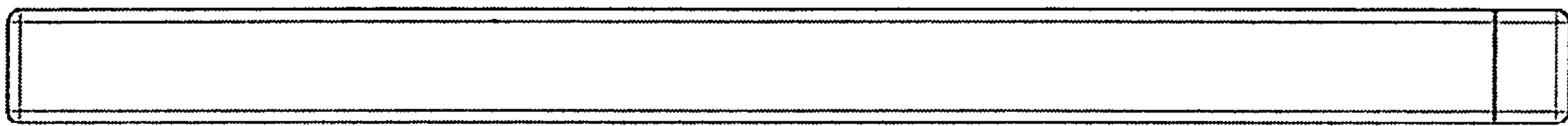


FIG. 10

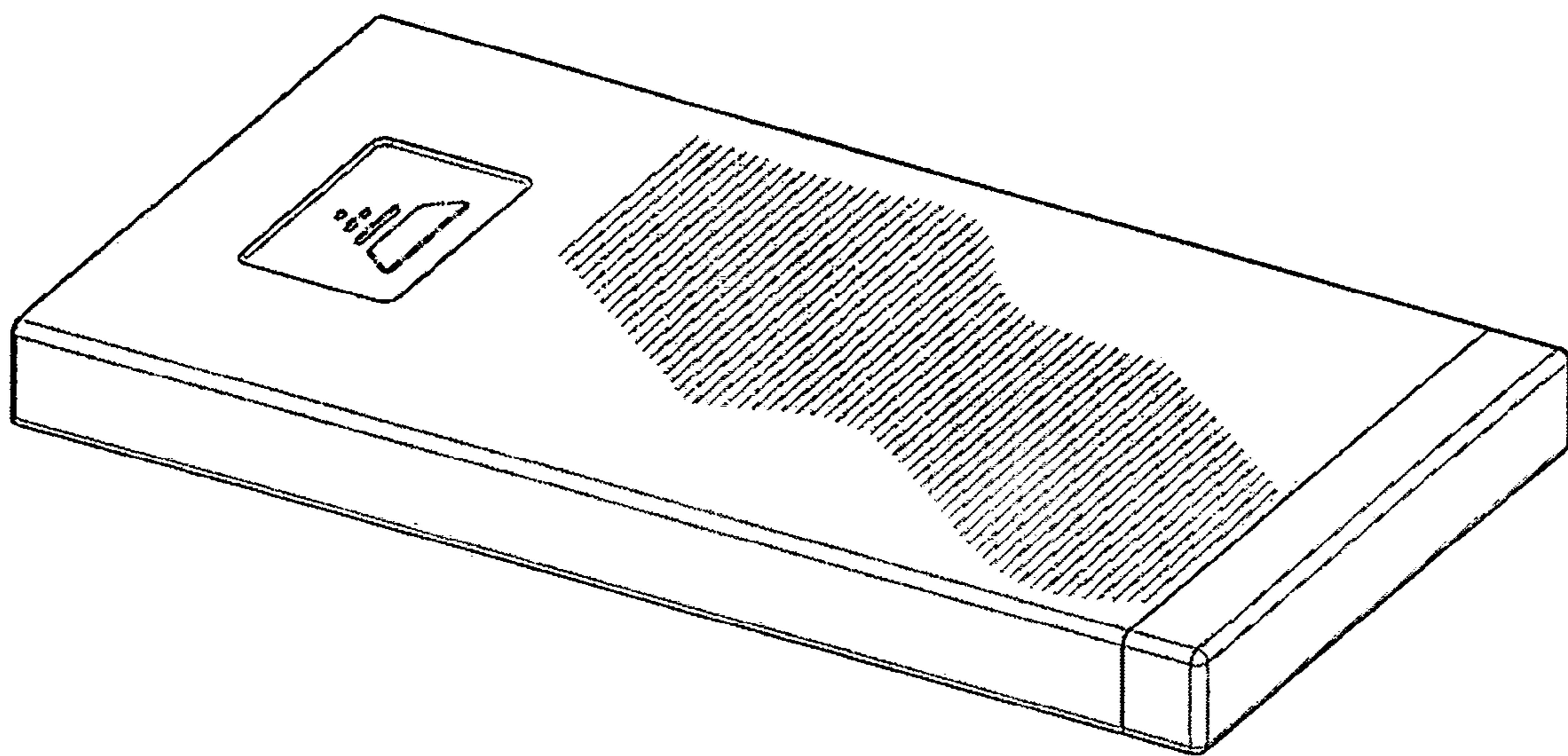


FIG. 11