

US00D548120S

(12) **United States Design Patent** (10) **Patent No.:** **US D548,120 S**
Nagai et al. (45) **Date of Patent:** **** Aug. 7, 2007**

(54) **DIGITAL GAUGE**

(75) Inventors: **Yuji Nagai**, Saitama (JP); **Hideo Maejima**, Saitama (JP); **Osamu Ochiai**, Saitama (JP)

(73) Assignee: **Sony Corporation**, Tokyo (JP)

(**) Term: **14 Years**

(21) Appl. No.: **29/239,315**

(22) Filed: **Sep. 29, 2005**

(30) **Foreign Application Priority Data**

Apr. 1, 2005 (JP) D2005-009913

(51) **LOC (8) Cl.** **10-04**

(52) **U.S. Cl.** **D10/85; D10/96; D10/99**

(58) **Field of Classification Search** D10/85, D10/96, 99; 73/37, 700, 735, 736, 714, 756, 73/729.1; 186/271, 273; 280/734, 737, 280/738; 340/626, 627

See application file for complete search history.

(56) **References Cited**

U.S. PATENT DOCUMENTS

6,772,639 B2* 8/2004 Seals 73/714

OTHER PUBLICATIONS

Web page "SR118" <http://www.sonyms.co.jp/j/products/dro/index.html>, 2 sheets, Sony Manufacturing Systems Corporation (Sep. 2005).

Web page "SR118" <http://www.sonyms.co.jp/j/products/dro/pdf/SR118series.pdf>, 2 sheets, Sony Manufacturing Systems Corporation (Sep. 2005).

* cited by examiner

Primary Examiner—Antoine D. Davis

(74) *Attorney, Agent, or Firm*—Rader, Fishman & Grauer PLLC

(57) **CLAIM**

The ornamental design for a digital gauge, as shown.

DESCRIPTION

FIG. 1 is a perspective view of a digital gauge showing our new design;

FIG. 2 is a front elevational view thereof;

FIG. 3 is a rear elevational view thereof;

FIG. 4 is a left side elevational view thereof;

FIG. 5 is a right side elevational view thereof;

FIG. 6 is a top plan view thereof; and,

FIG. 7 is a bottom plan view thereof.

1 Claim, 7 Drawing Sheets

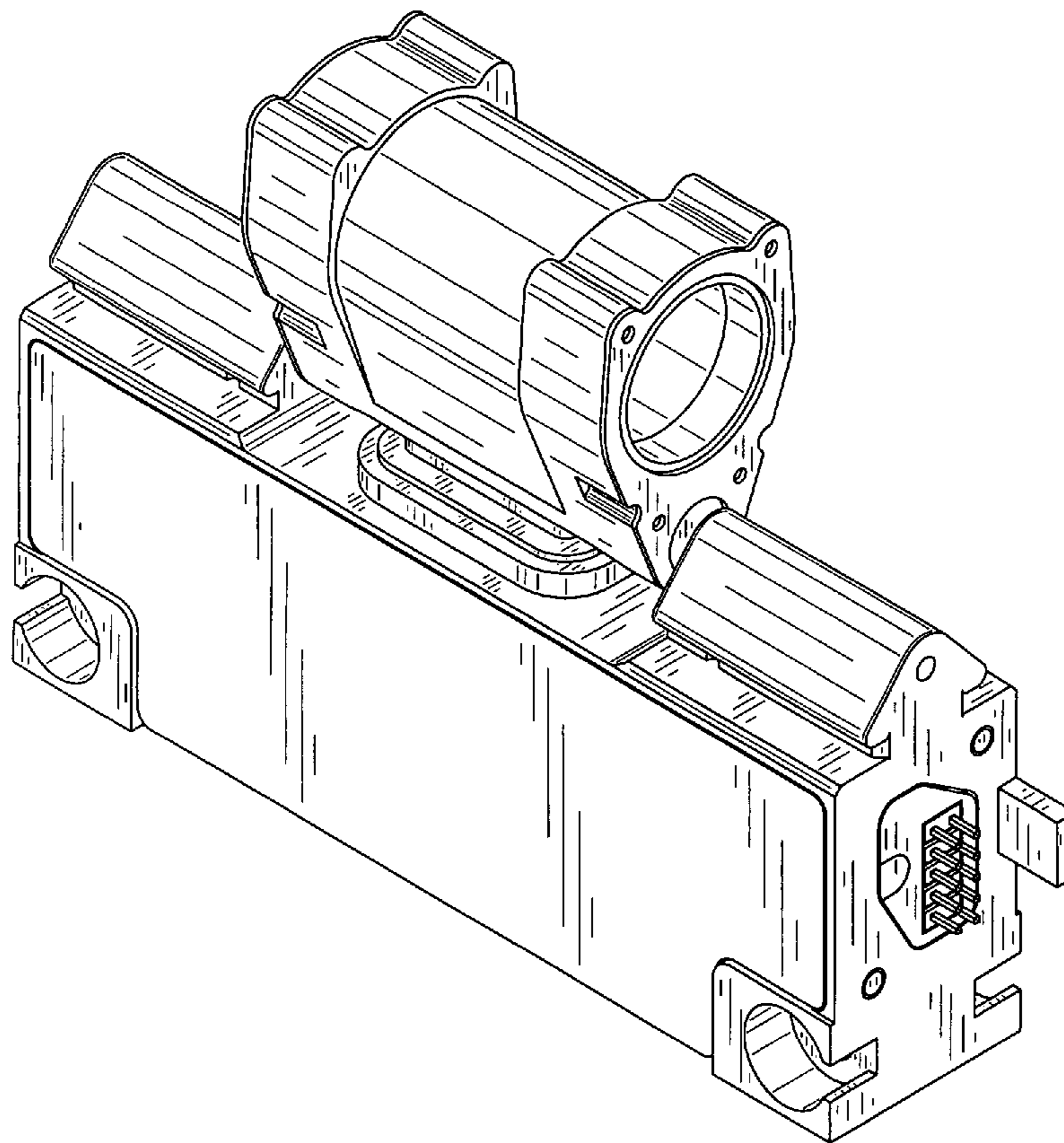
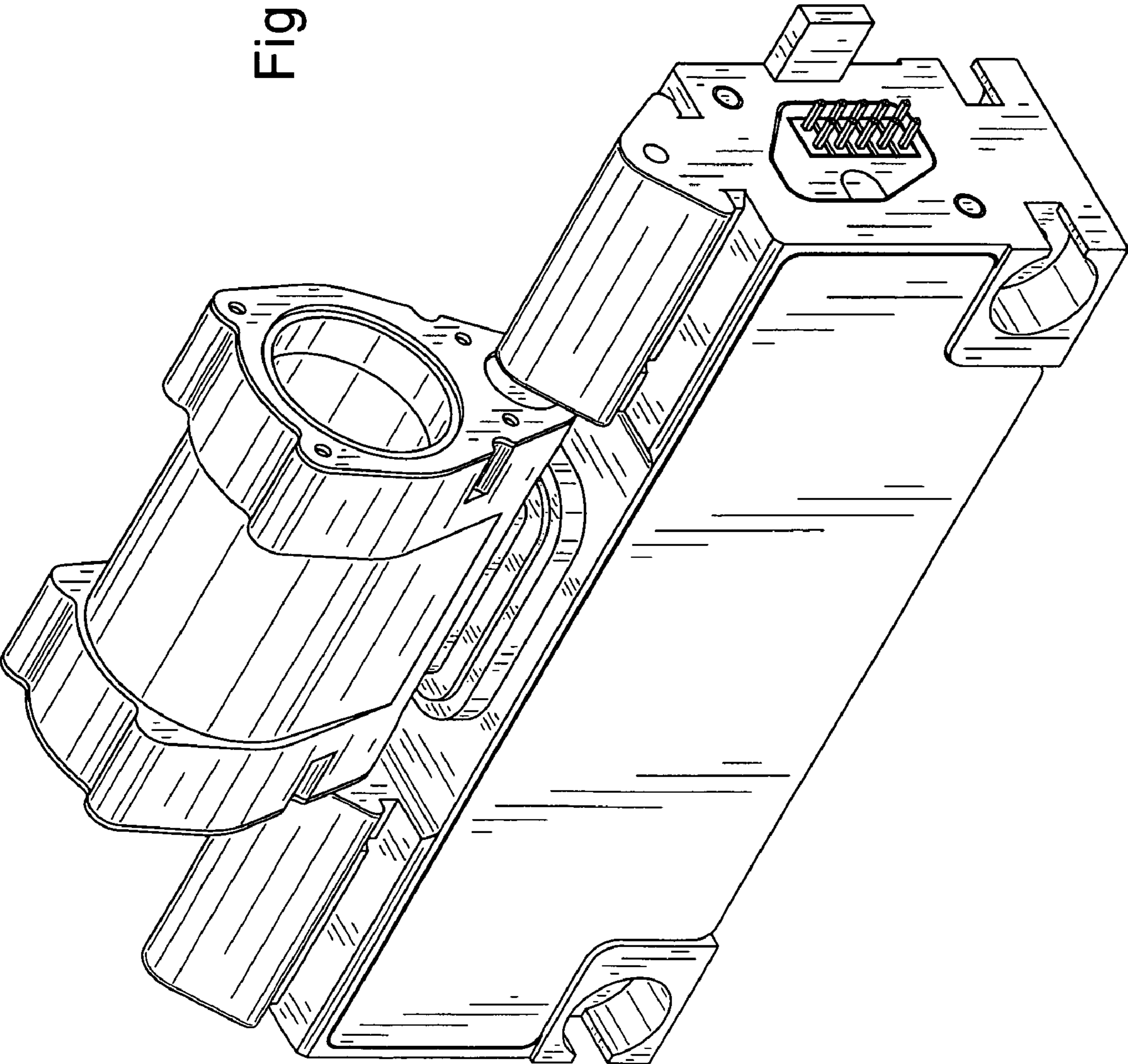


Fig. 1



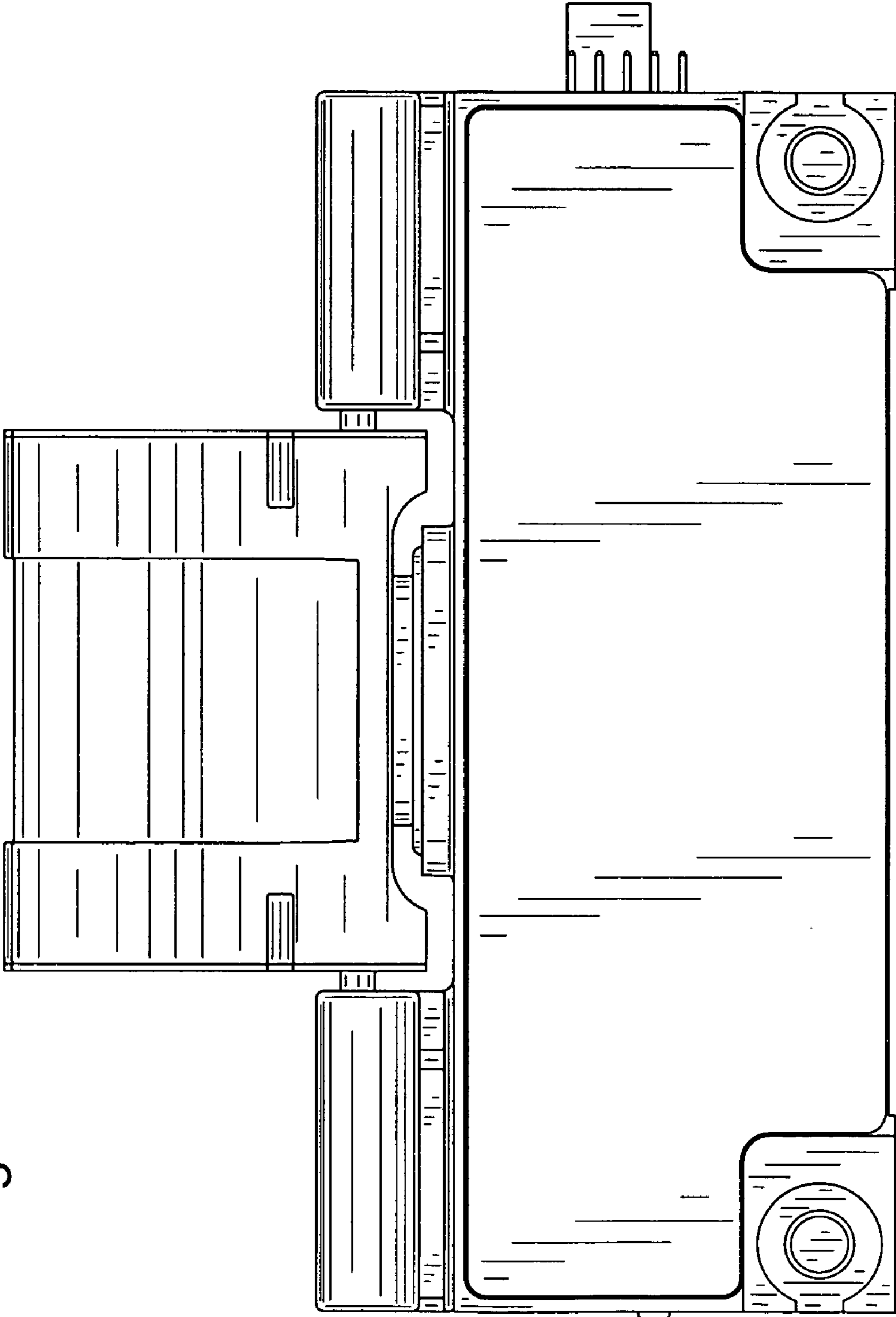


Fig.2

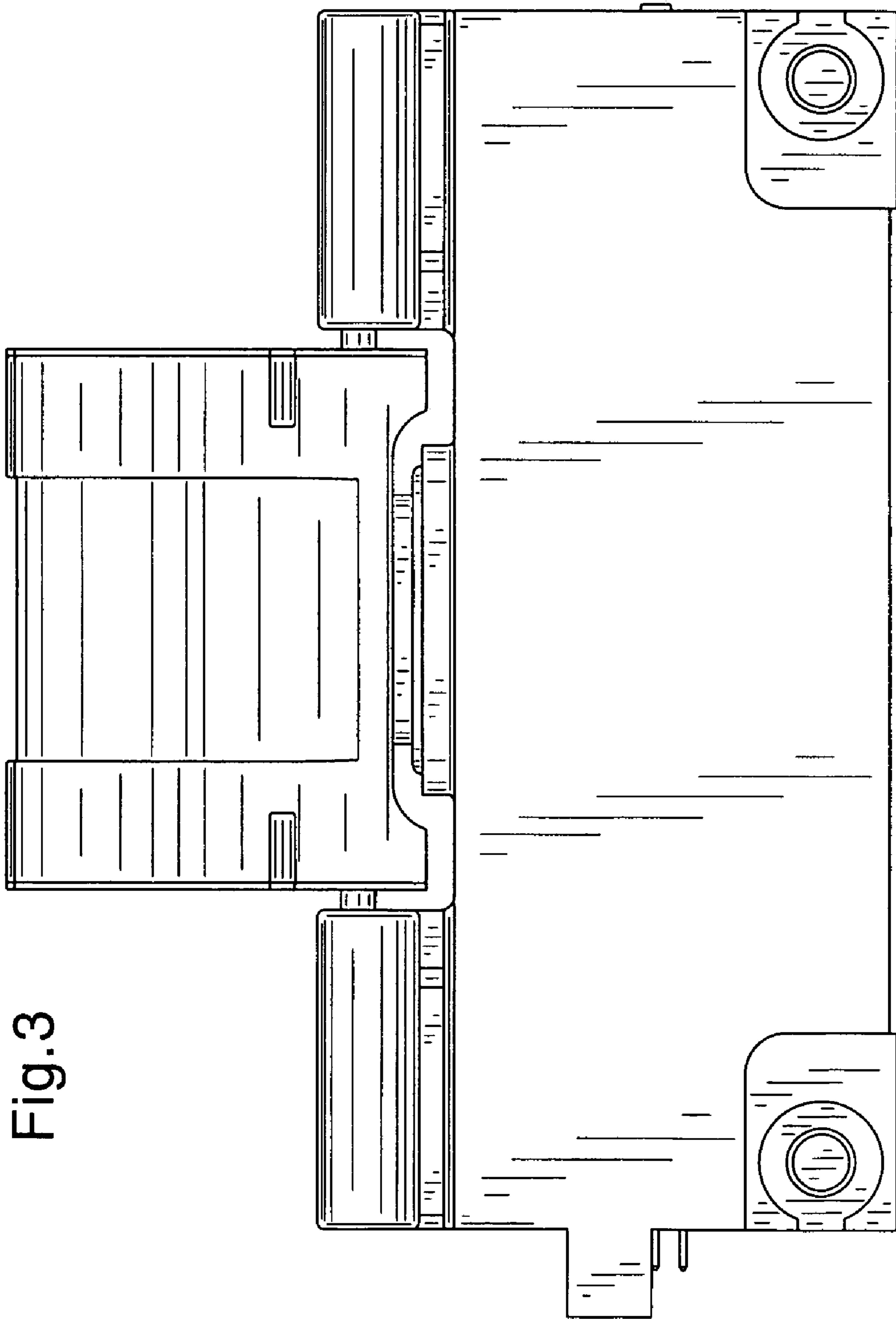


Fig. 3

Fig.4

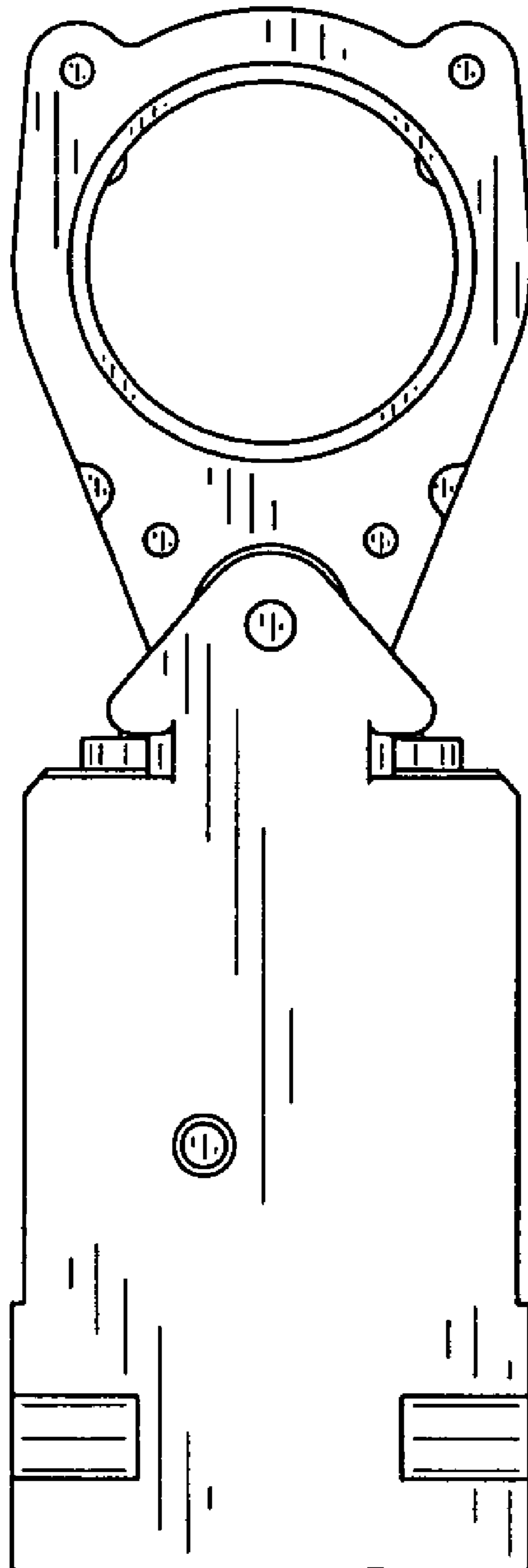


Fig.5

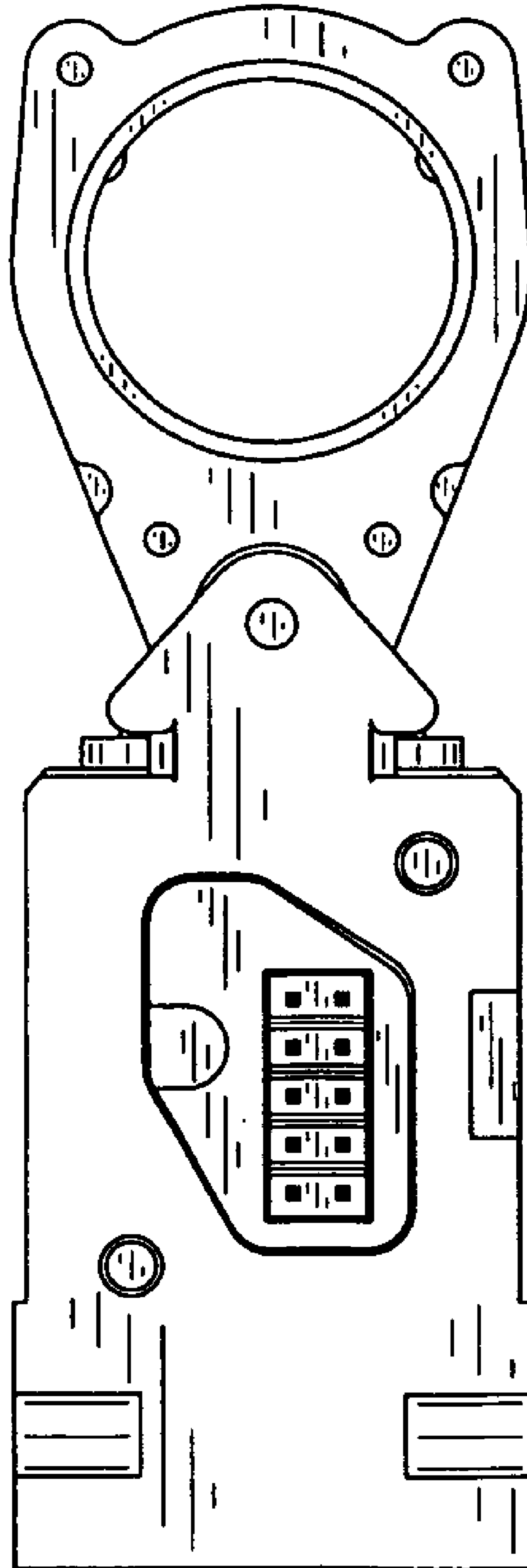


Fig. 6

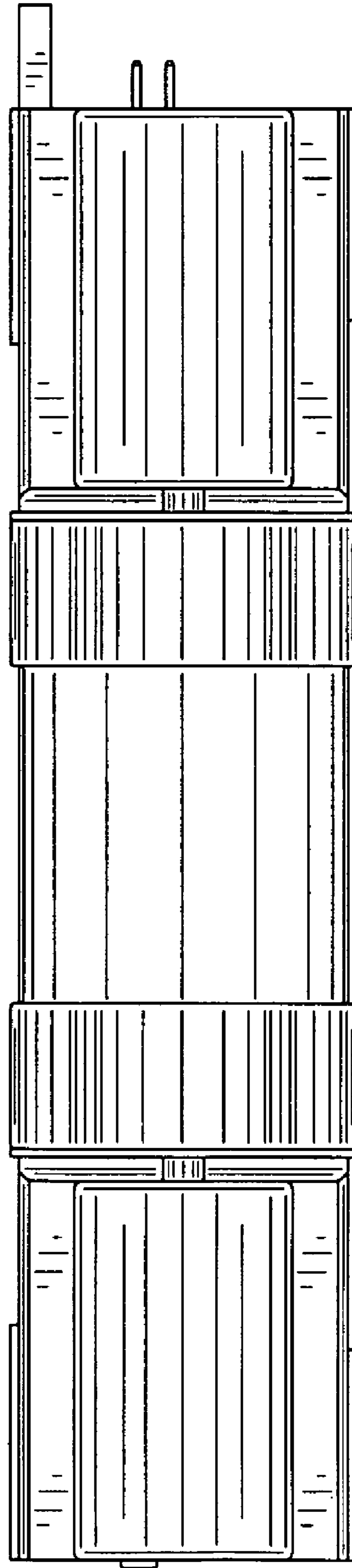


Fig. 7

