

US00D548118S

(12) **United States Design Patent**
Snider et al.

(10) **Patent No.:** **US D548,118 S**

(45) **Date of Patent:** **** Aug. 7, 2007**

(54) **TAPE MEASURE WITH LASER MODULE**

Primary Examiner—Antoine D. Davis

(76) Inventors: **Gregory Scott Snider**, 207 Woodland Dr., Bel Air, MD (US) 21014; **Michael A. Milligan**, 125 Thousand Island Parkway, RR#2, Gananoque, Ontario (CA) K7G 2V4

(74) *Attorney, Agent, or Firm*—Wesley W. Muller; Bruce Shapiro

(57) **CLAIM**

The ornamental design for a tape measure with laser module, as shown and described.

(**) Term: **14 Years**

(21) Appl. No.: **29/253,719**

DESCRIPTION

(22) Filed: **Feb. 10, 2006**

(51) **LOC (8) Cl.** **10-04**

FIG. 1 is a perspective view of a tape measure with laser module according to the present invention;

(52) **U.S. Cl.** **D10/69; D10/70**

FIG. 2 is an elevated front view of the tape measure with laser module of FIG. 1;

(58) **Field of Classification Search** D10/66,

FIG. 3 is an elevated rear view of the tape measure with laser module of FIG. 1;

D10/69, 70; 33/276, 277, 281, 285, 286, 33/290, 291–299, DIG. 21; 340/573.1–573.4, 340/539, 825.36, 825.46, 825.49, 357.02, 340/357.07–357.09; 356/5.15, 4.01, 5.01, 356/4.05, 5.05–5.09, 5.12, 28.5, 138, 139.3, 356/141.3, 142, 345, 375, 3.01, 128–155, 356/499–400; 385/83, 97–99, 134–139; 701/211–213, 150, 158, 208; 264/1.24–1.25
See application file for complete search history.

FIG. 4 is a right side view of the tape measure with laser module of FIG. 1;

FIG. 5 is a left side view of the tape measure with laser module of FIG. 1;

(56) **References Cited**

U.S. PATENT DOCUMENTS

D538,688 S * 3/2007 Snider D10/70
7,191,532 B2 * 3/2007 Long et al. 33/286
7,204,027 B2 * 4/2007 Tacklind 33/286

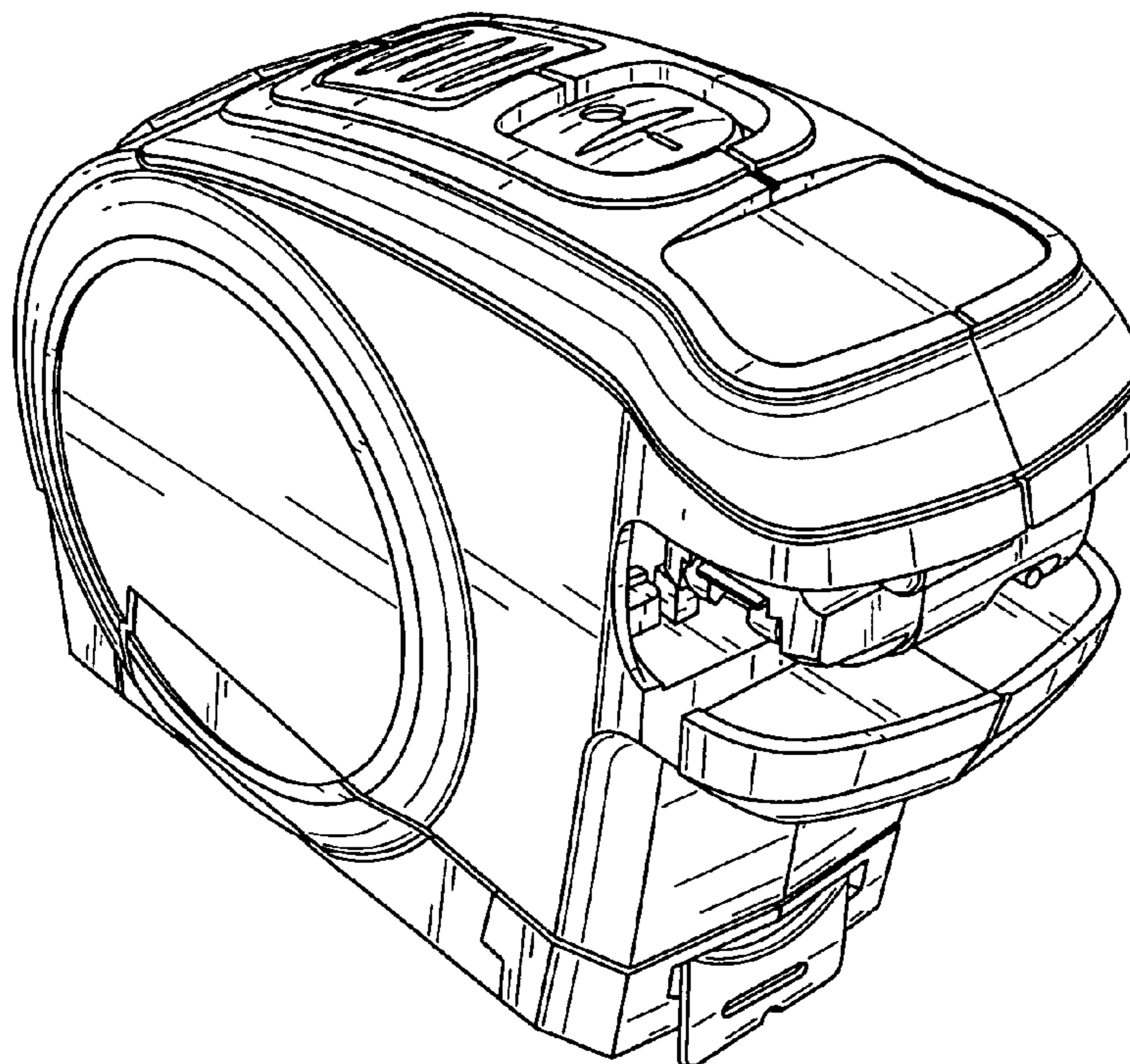
FIG. 6 is a top view of the tape measure with laser module of FIG. 1;

FIG. 7 is a bottom view of the tape measure with laser module of FIG. 1; and,

FIG. 8 is a perspective view of the tape measure with laser module of FIG. 1, with the side slide panels in an alternative position.

* cited by examiner

1 Claim, 8 Drawing Sheets



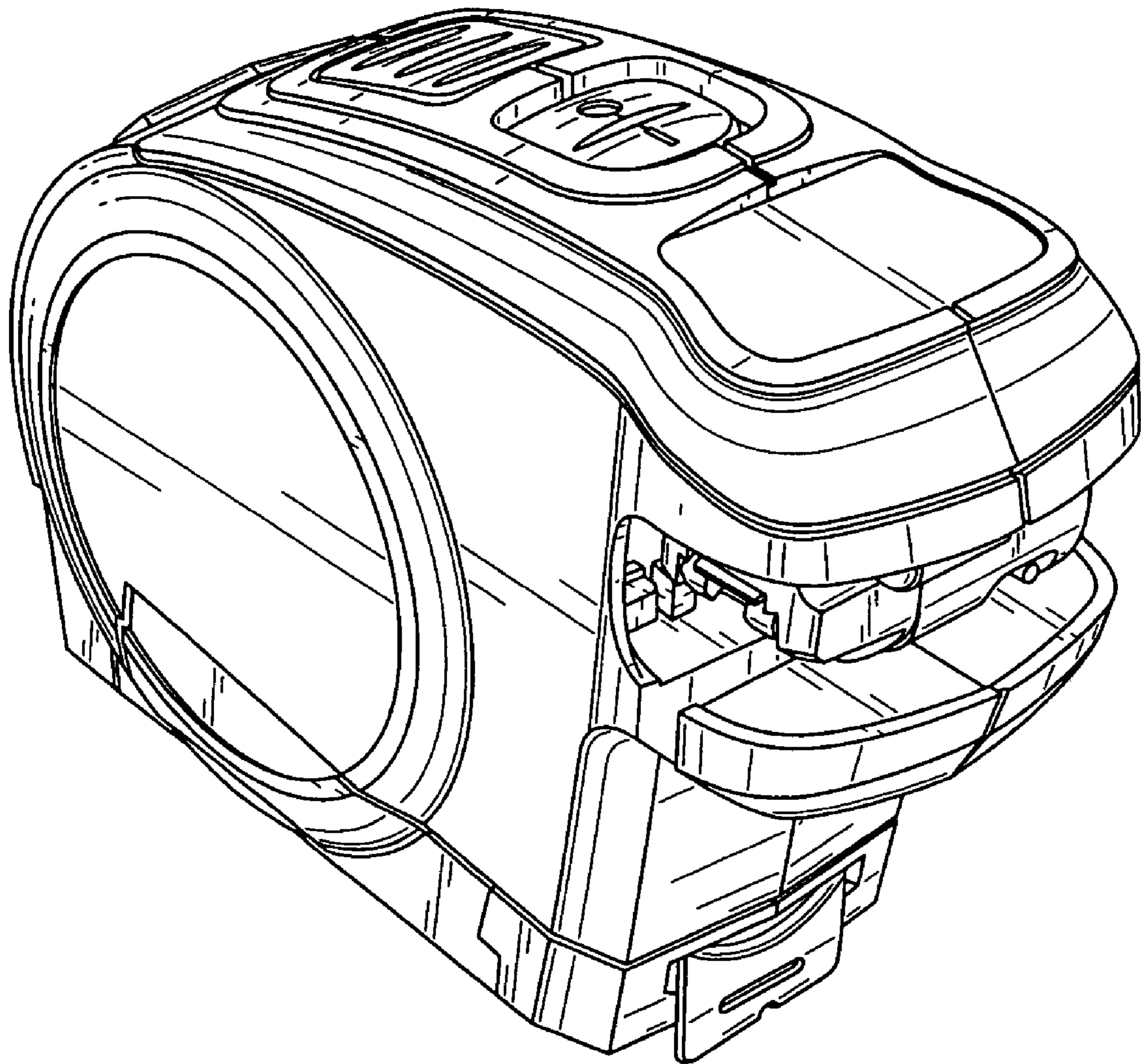


FIG. 1

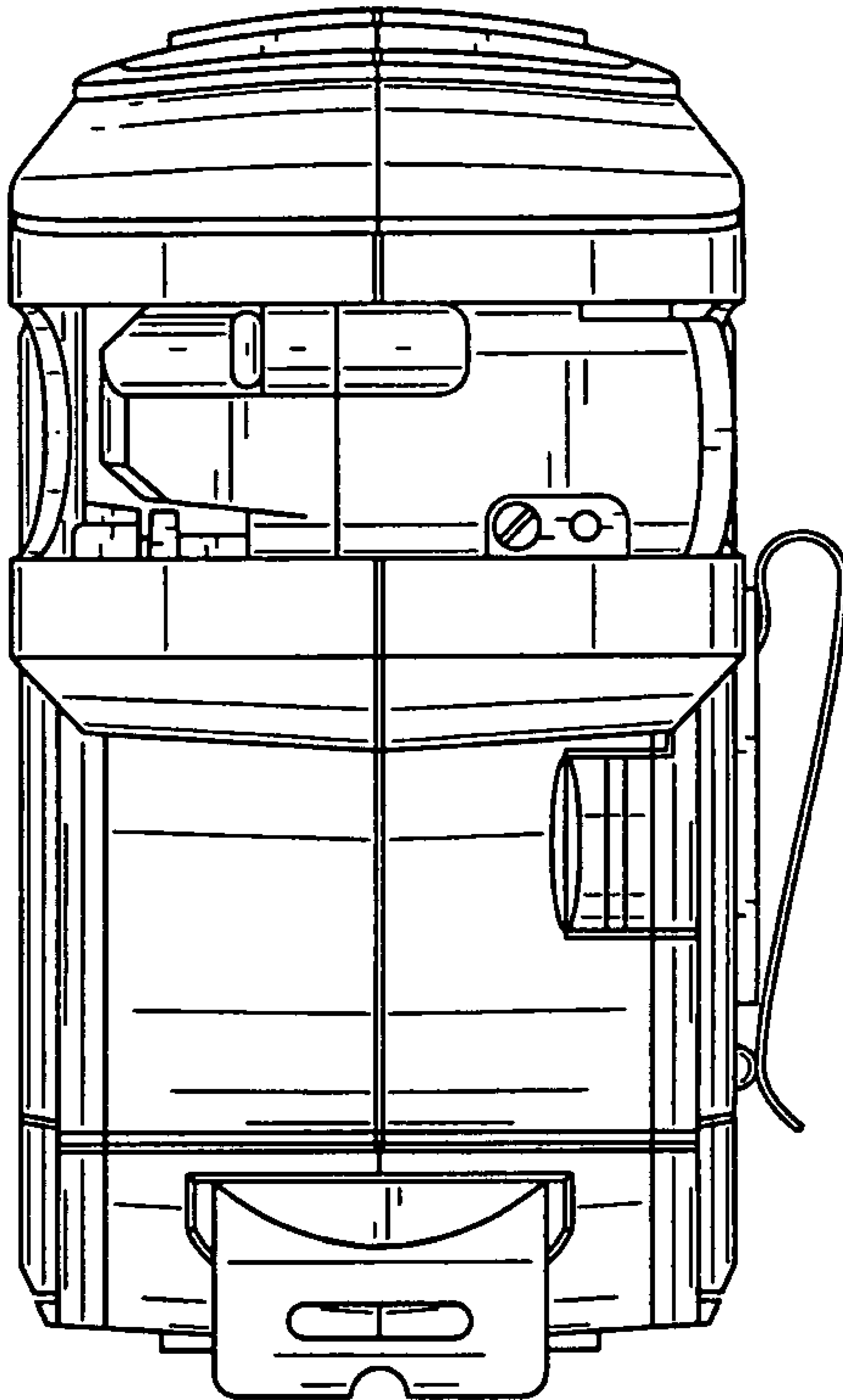


FIG. 2

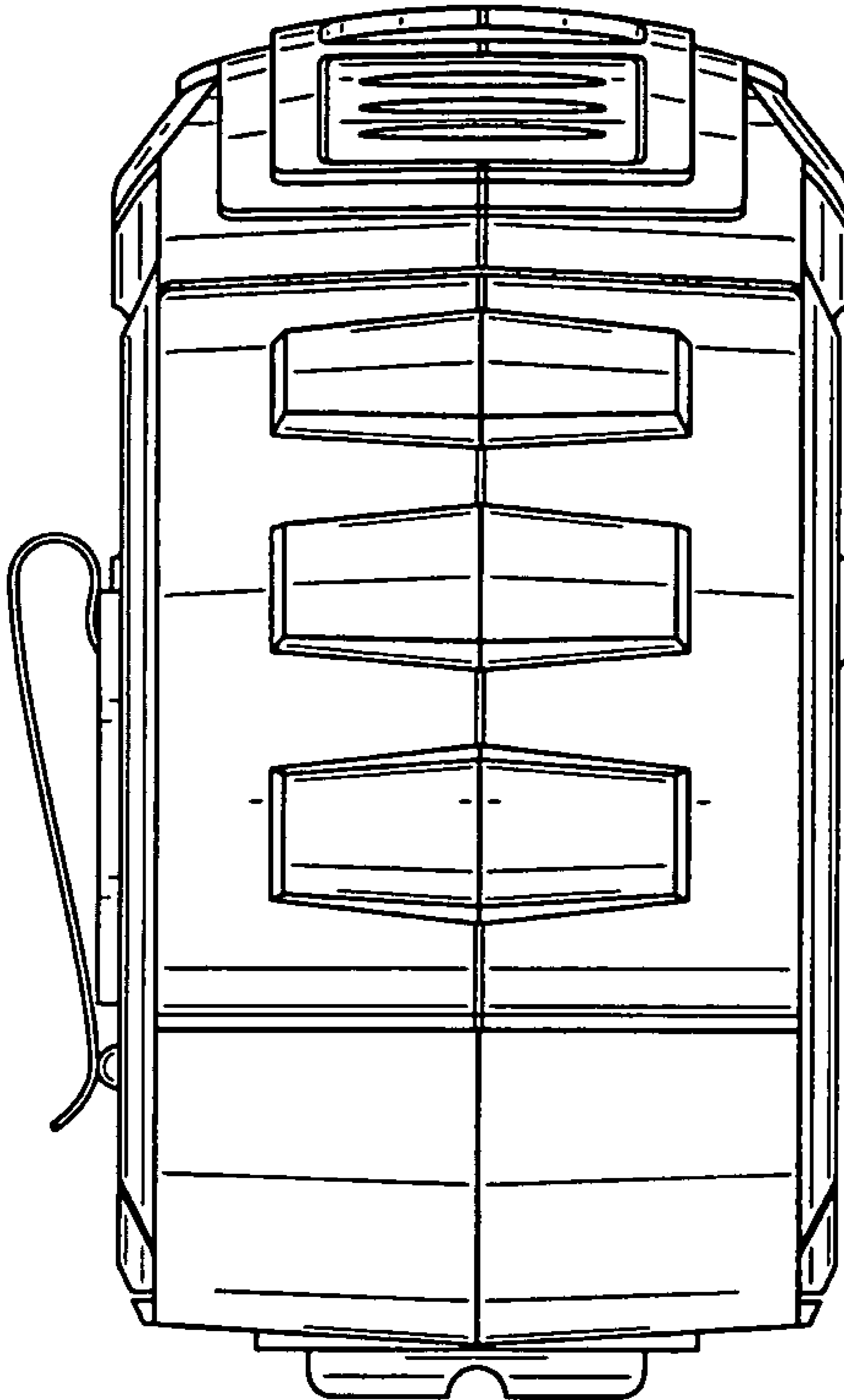


FIG. 3

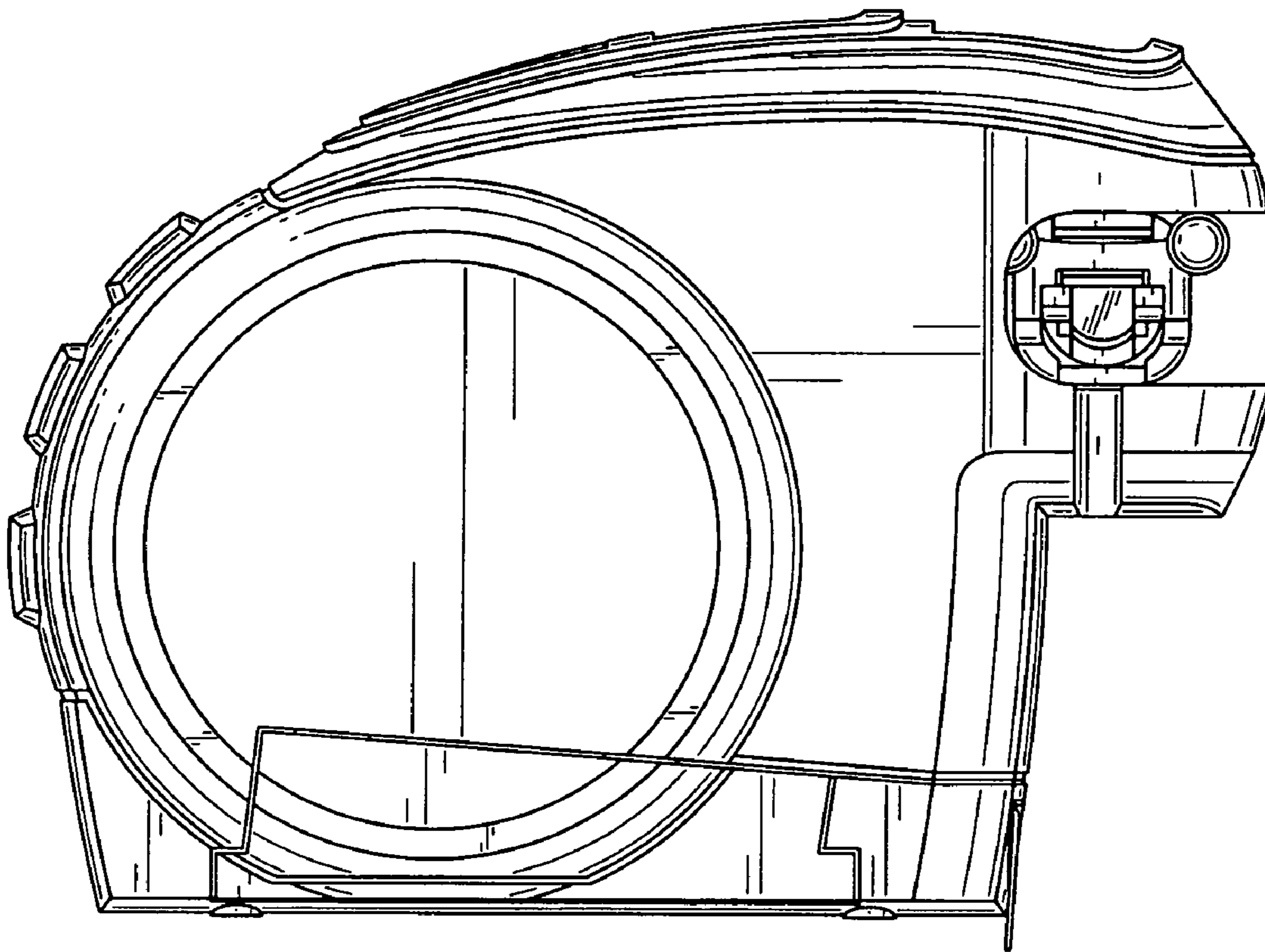


FIG. 4

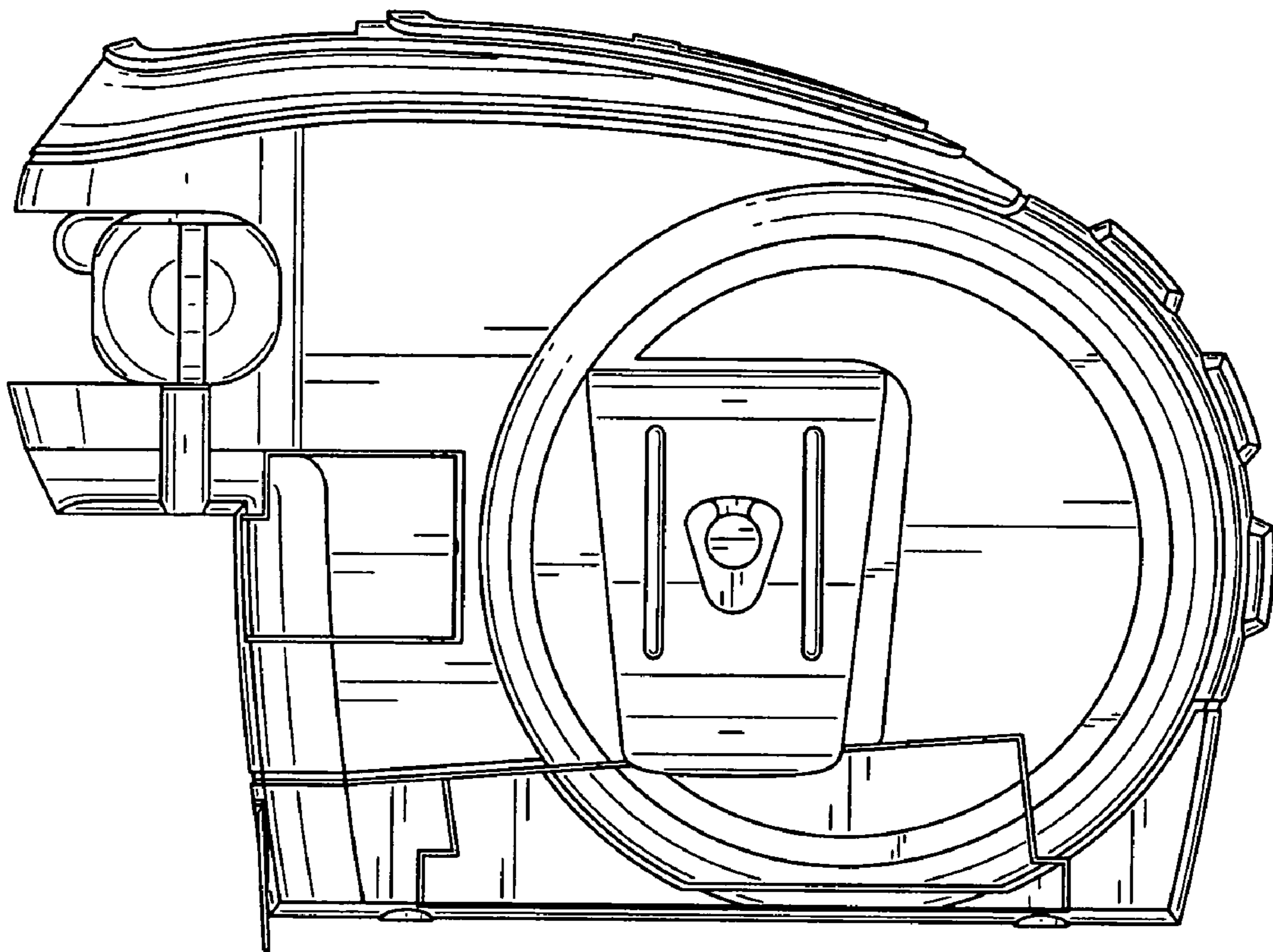


FIG. 5

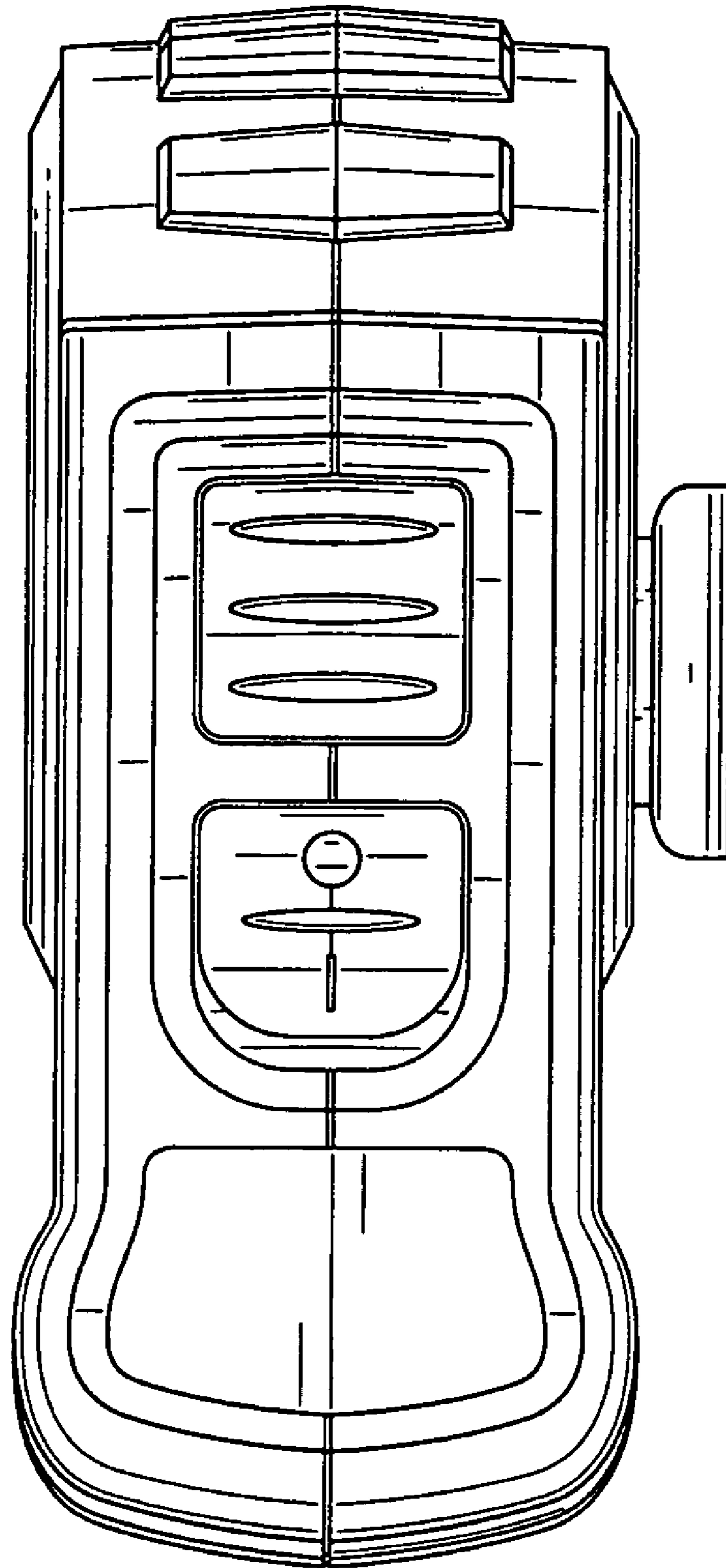


FIG. 6

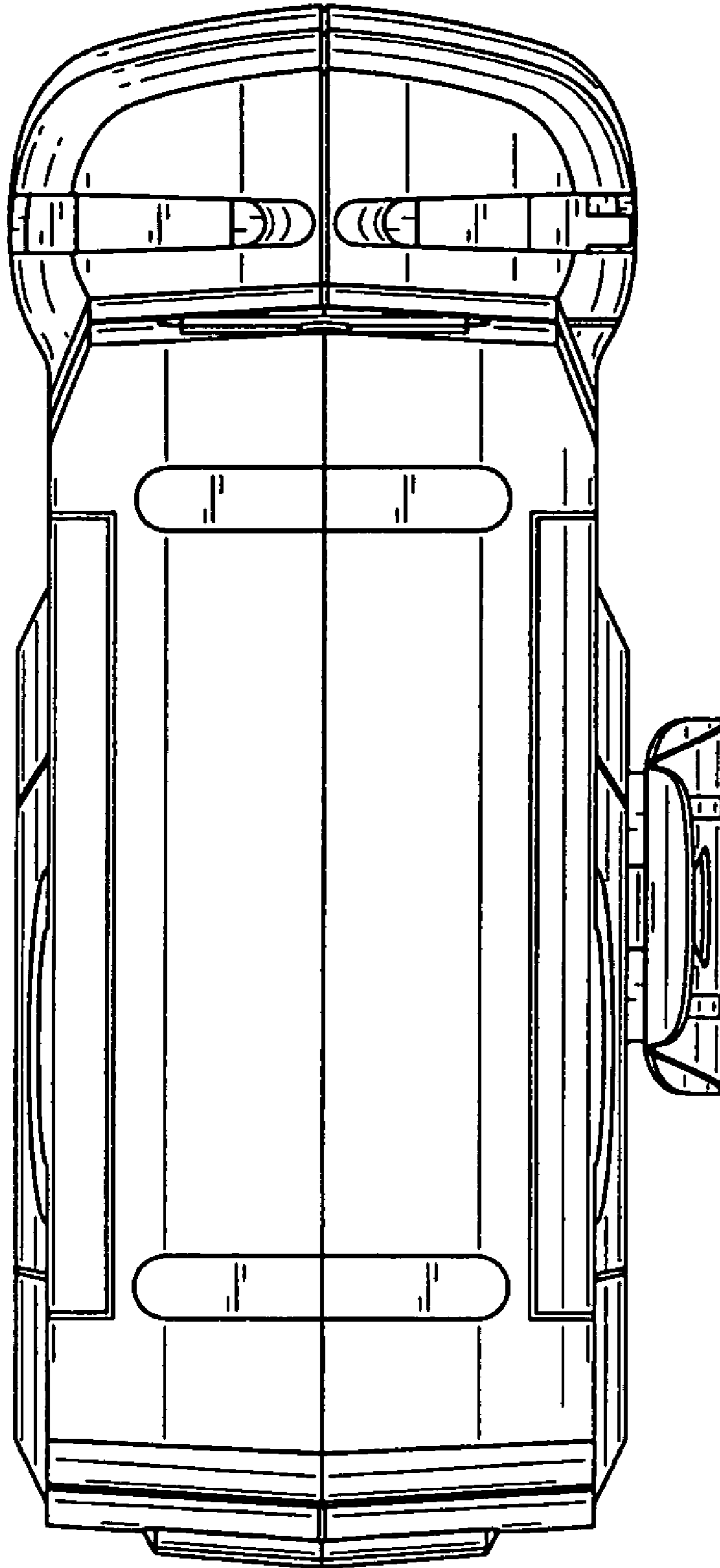


FIG. 7

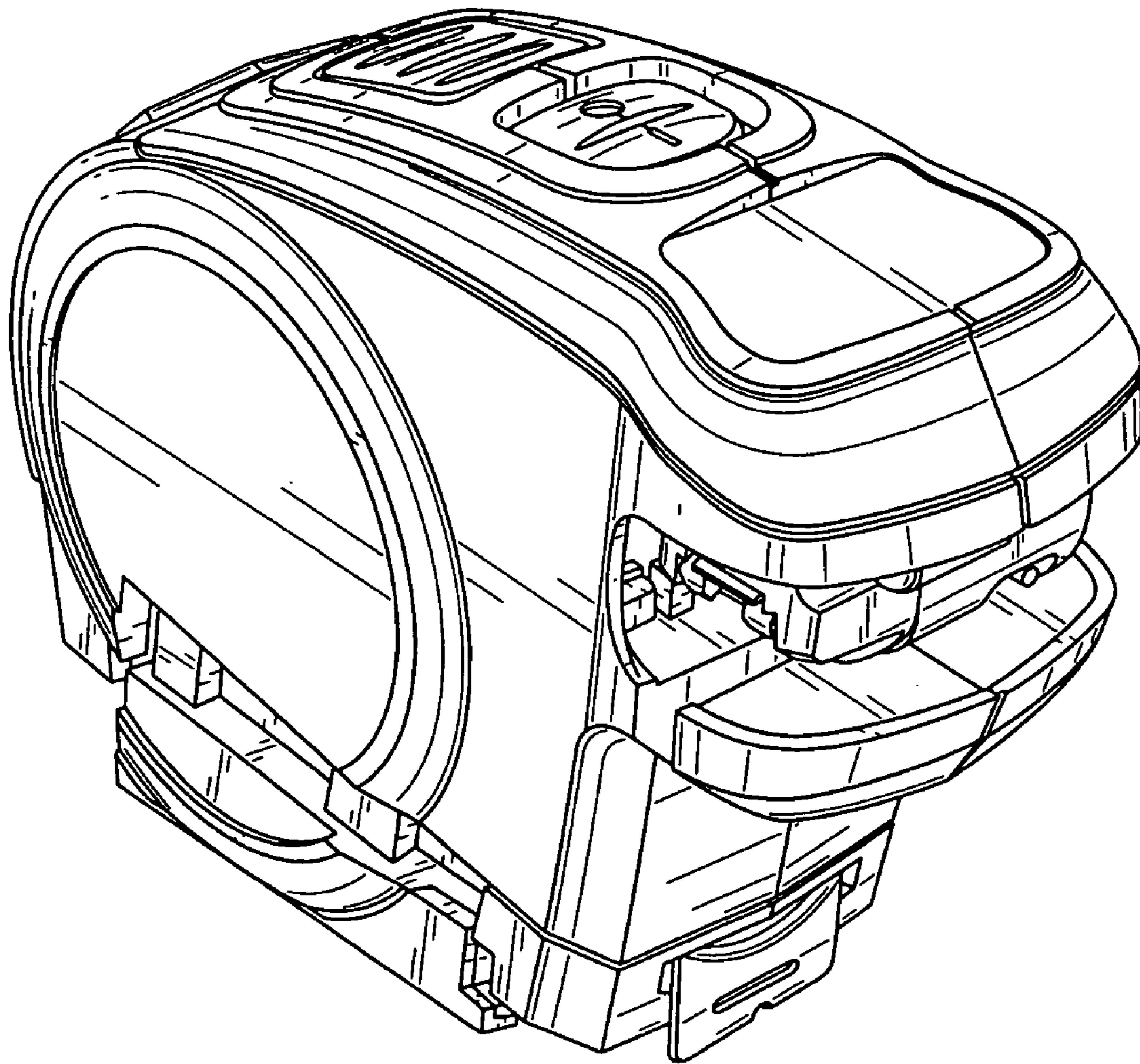


FIG. 8