



US00D548117S

(12) **United States Design Patent**
Hutchings

(10) **Patent No.:** **US D548,117 S**

(45) **Date of Patent:** **** Aug. 7, 2007**

(54) **FOLDING LAYOUT STICK**

(76) Inventor: **Robert Hutchings**, 806 Singing Drum Dr., Henderson, NV (US) 89015

(**) Term: **14 Years**

(21) Appl. No.: **29/244,315**

(22) Filed: **Dec. 7, 2005**

(51) **LOC (8) Cl.** **10-04**

(52) **U.S. Cl.** **D10/65**

(58) **Field of Classification Search** D10/64;
33/415-417, 403, 480, 452-464, 474-479;
83/471.3, 473; 144/144.52, 144.1, 372
See application file for complete search history.

(56) **References Cited**

U.S. PATENT DOCUMENTS

D234,469 S *	3/1975	Lindsay	D10/65
D312,116 S *	11/1990	Spagnola	D10/65
D367,617 S *	3/1996	Wiegman	D10/65
5,533,556 A *	7/1996	Whitney	33/415
D406,537 S *	3/1999	Sharp	D10/65
D411,469 S *	6/1999	Smith	D10/65
6,895,683 B1 *	5/2005	Olsen	33/474

* cited by examiner

Primary Examiner—Antoine D. Davis

(74) *Attorney, Agent, or Firm*—Russell S. Krajec; Krajec Patent Offices, LLC

(57) **CLAIM**

The ornamental design for a folding layout stick, as shown and described.

DESCRIPTION

FIG. 1 is an isometric view of a folding layout stick showing my new design.

FIG. 2 is a top view thereof.

FIG. 3 is a left side view thereof.

FIG. 4 is a front side view thereof.

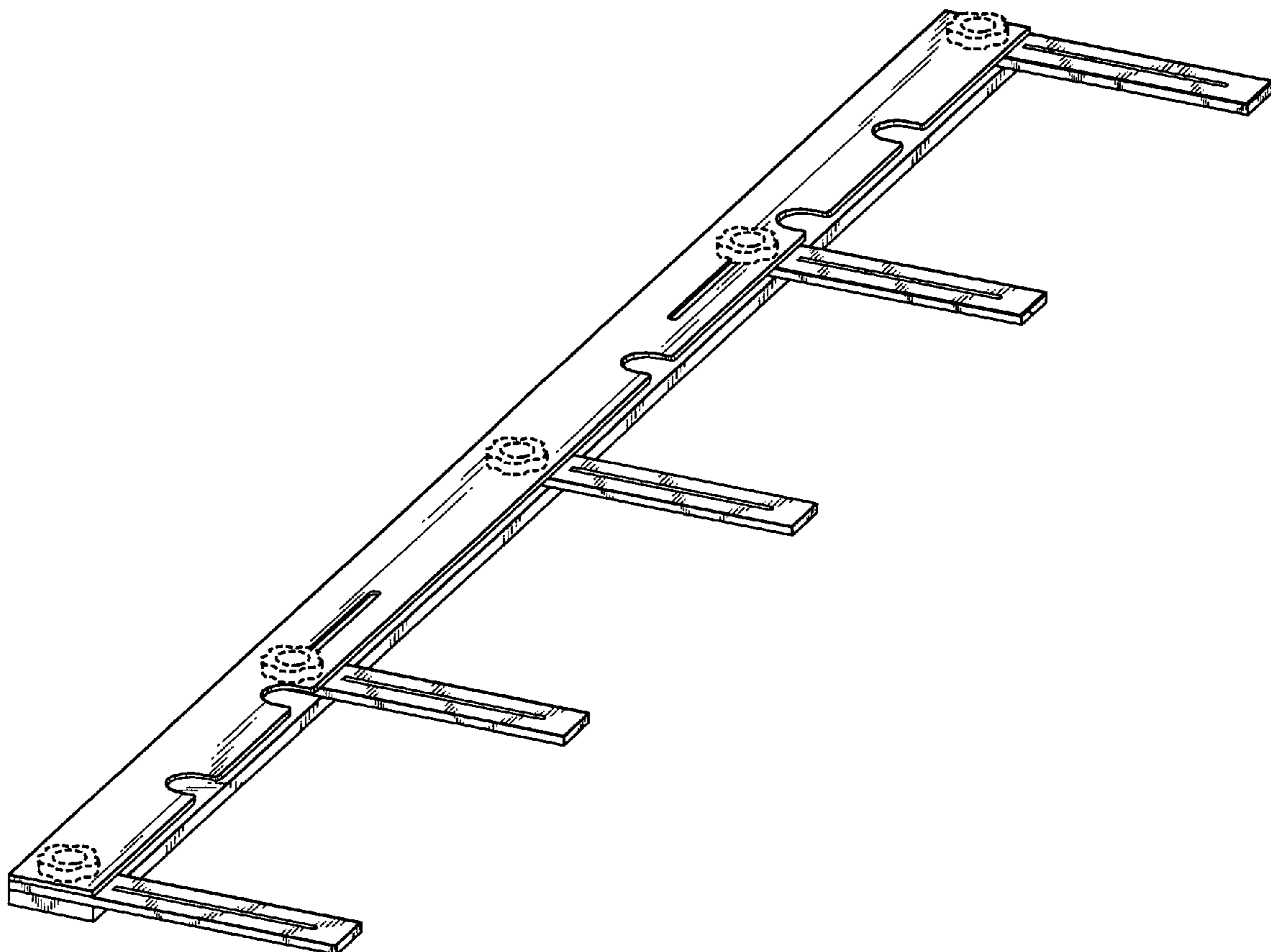
FIG. 5 is a rear side view thereof.

FIG. 6 is a bottom view thereof; and,

FIG. 7 is a right side view thereof.

The broken line showing of some structural features are included for the purpose of illustrating non-claimed subject matter and forms no part of the claimed design.

1 Claim, 5 Drawing Sheets



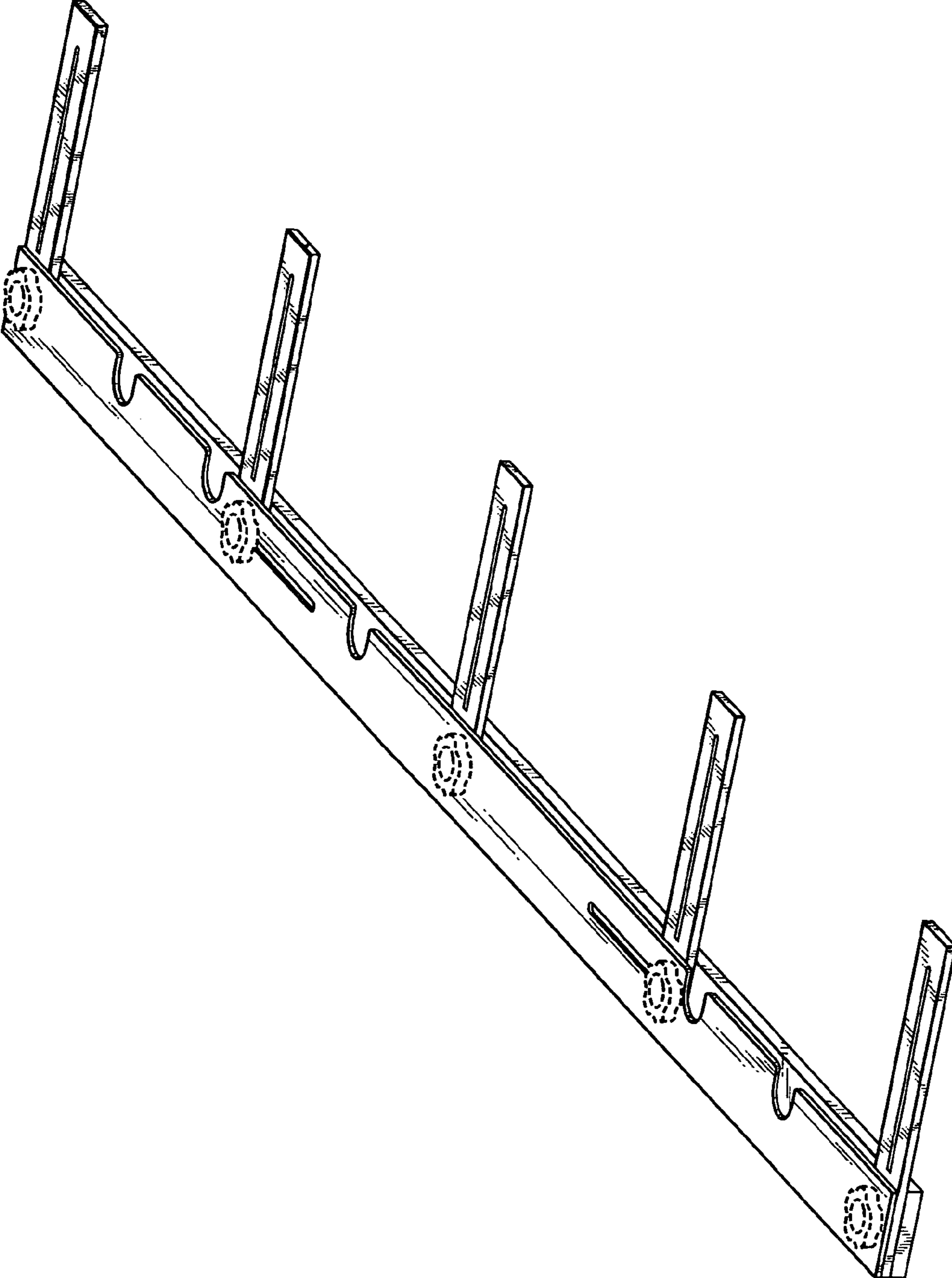


FIG. 1

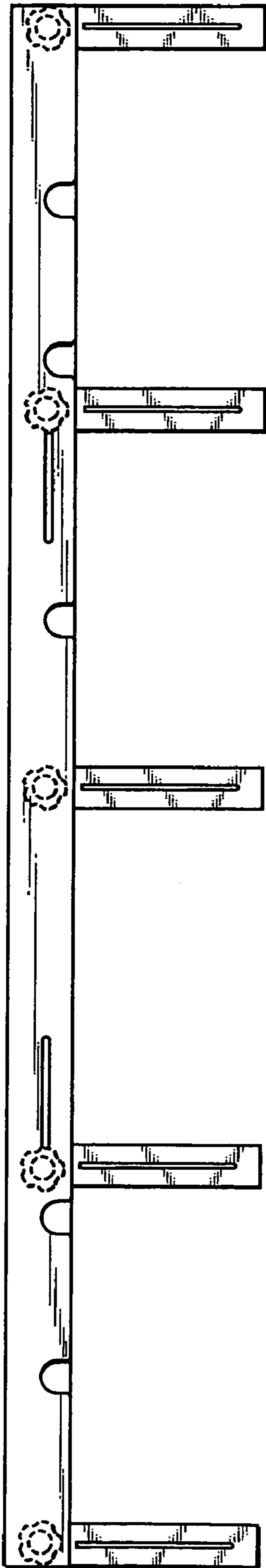


FIG. 2

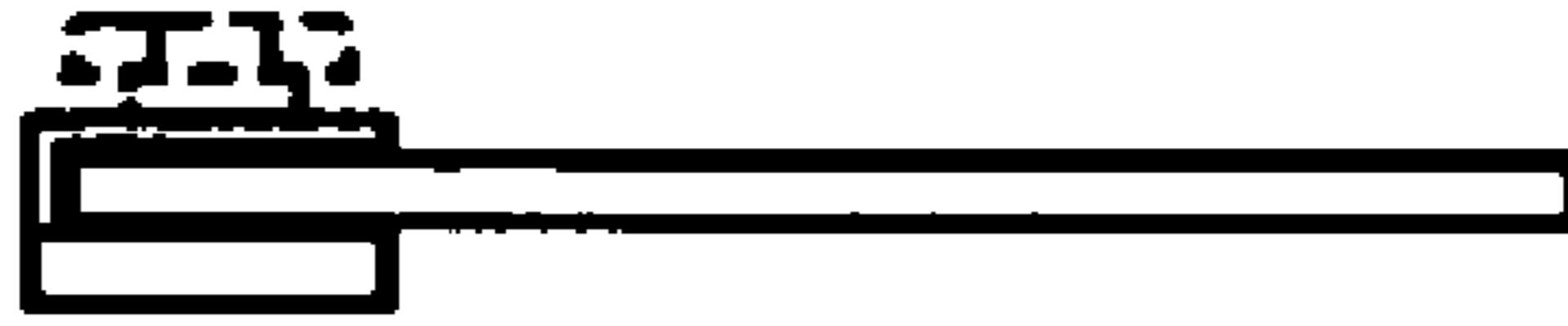


FIG. 3



FIG. 7



FIG. 4



FIG. 5

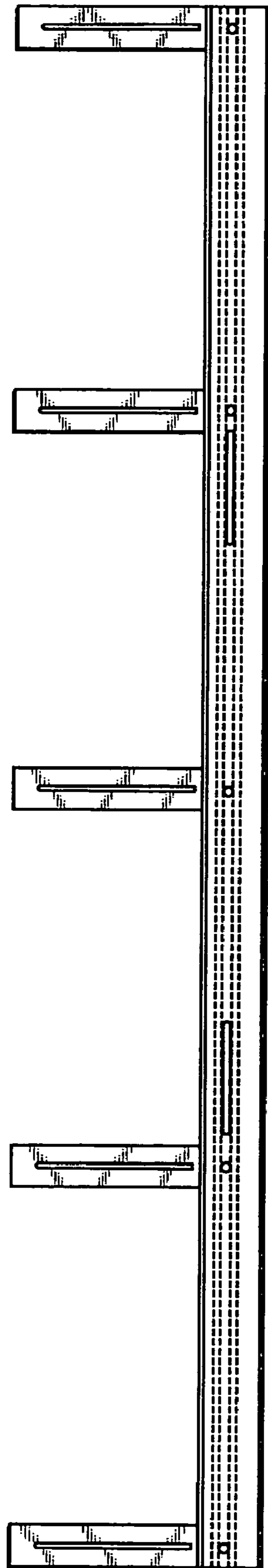


FIG. 6