

US00D548115S

(12) **United States Design Patent**
Sawhney et al.

(10) **Patent No.:** **US D548,115 S**

(45) **Date of Patent:** **** Aug. 7, 2007**

(54) **STACKABLE MEASURING CUPS**

(75) Inventors: **Ravi Sawhney**, Calabasas, CA (US);
Lance Gordon Hussey, Simi Valley,
CA (US); **Ingvald Smith**
Alain-Kielland, Los Angeles, CA (US);
Christopher Glupker, Van Nuys, CA
(US); **Hyun Suk Song**, Fullerton, CA
(US)

(73) Assignee: **Zyliss USA Corporation**, Irvine, CA
(US)

5,203,836 A 4/1993 Brazis et al.
5,235,853 A * 8/1993 Froes 73/427
5,784,953 A 7/1998 Wang
D418,068 S * 12/1999 Robbins, III D10/46.2
D437,793 S 2/2001 Kaposi et al.
D438,125 S 2/2001 Kaposi et al.
D440,164 S 4/2001 Kerr
D450,605 S 11/2001 Wright
D473,148 S * 4/2003 Kleckauskas et al. D10/46.2
6,543,284 B2 4/2003 Hoeting et al.
6,769,302 B1 * 8/2004 King et al. 73/427
2005/0247129 A1 11/2005 Carragan

* cited by examiner

(**) Term: **14 Years**

Primary Examiner—Terry A. Wallace

(21) Appl. No.: **29/263,263**

(74) *Attorney, Agent, or Firm*—Brinks Hofer Gilson & Lione

(22) Filed: **Jul. 19, 2006**

(57) **CLAIM**

(51) **LOC (8) Cl.** **10-04**
(52) **U.S. Cl.** **D10/46.2**
(58) **Field of Classification Search** D10/46.2,
D10/46.3; D7/533; 73/426-429; 294/55;
206/519, 520

We claim the ornamental design for stackable measuring cups, as shown and described.

See application file for complete search history.

DESCRIPTION

(56) **References Cited**

FIG. 1 is a top perspective view of stackable measuring cups of the present invention;

FIG. 2 is a top view thereof;

FIG. 3 is a right side view thereof, wherein the left side view is a mirror image thereof;

FIG. 4 is a front view thereof;

FIG. 5 is a rear view thereof; and,

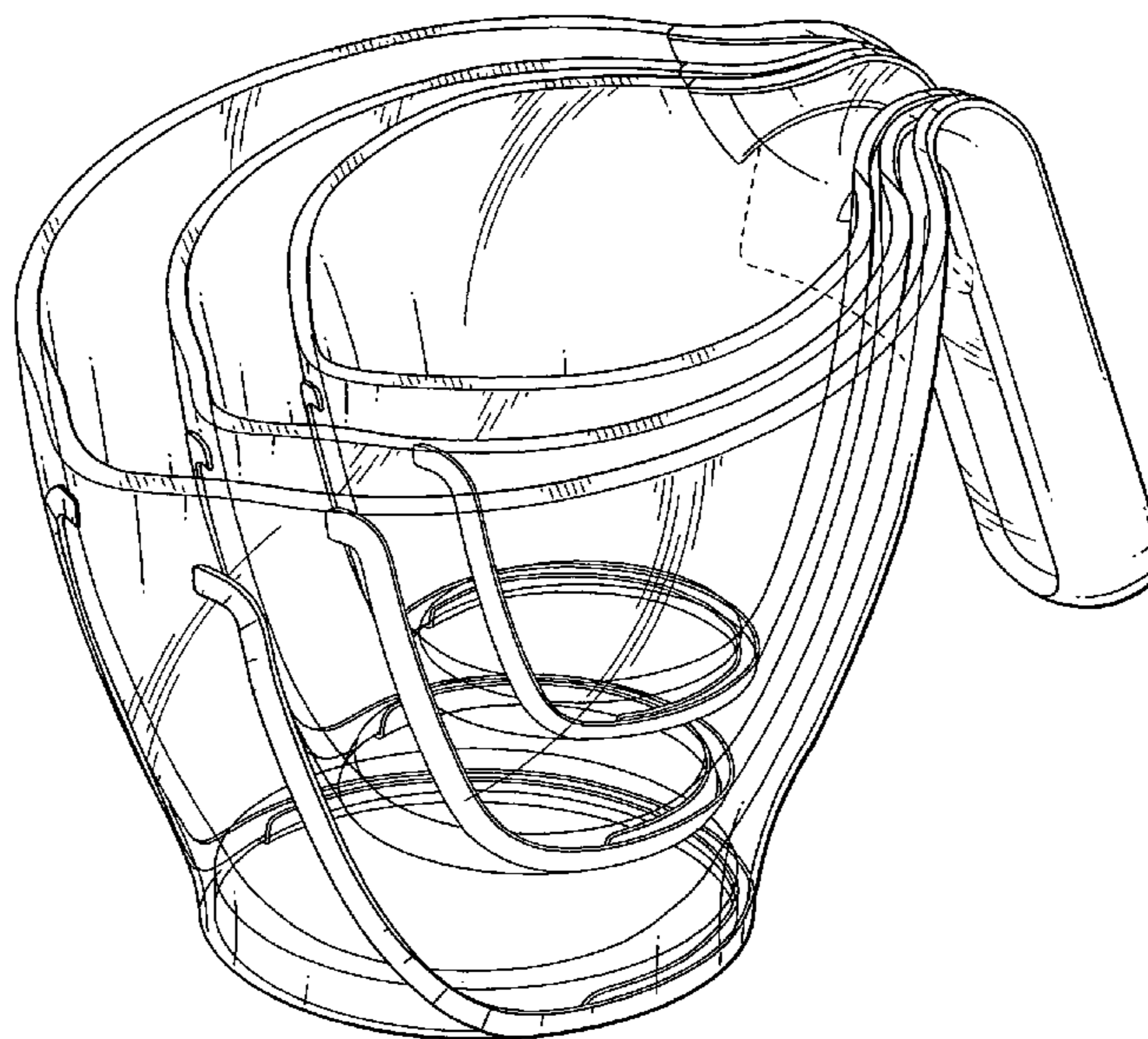
FIG. 6 is a bottom view thereof.

The ornamental design which is claimed is shown in solid lines in the drawings. Any broken lines in the drawings are for illustrative purposes only and form no part of the claimed design.

U.S. PATENT DOCUMENTS

1,507,968 A 9/1924 Johnson
2,165,045 A 7/1939 Garside
3,030,812 A 4/1962 Lutz
3,381,849 A 5/1968 Karlsson
3,400,591 A 9/1968 Larson
3,526,138 A 9/1970 Swett et al.
3,700,146 A * 10/1972 Cousins et al. 222/465.1
4,079,629 A 3/1978 Hope
4,136,022 A 1/1979 Hutzler et al.
4,420,081 A 12/1983 Dart
D287,324 S * 12/1986 Schmidt D10/46.2
5,137,316 A 8/1992 Foos

1 Claim, 4 Drawing Sheets



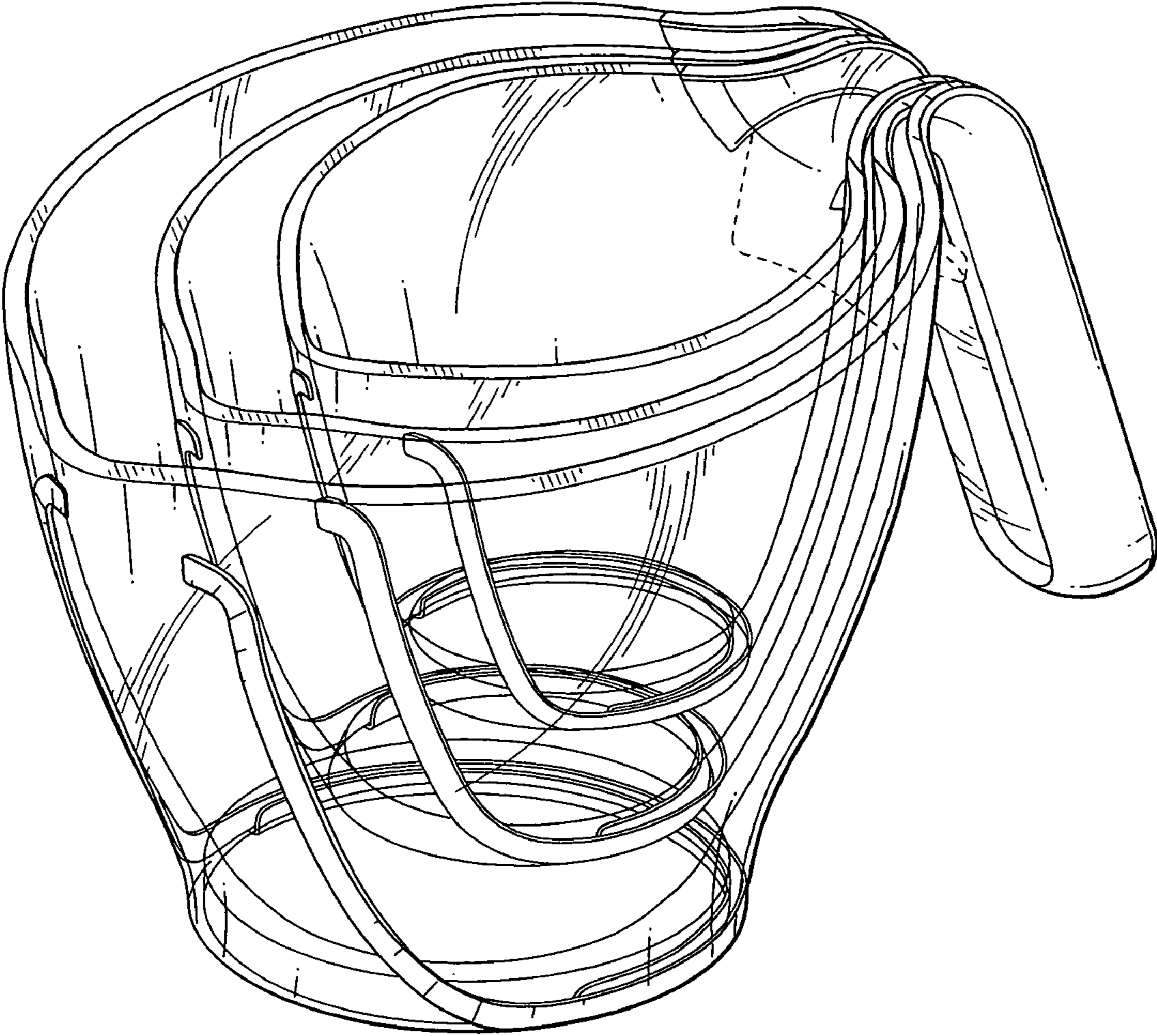


FIG. 1

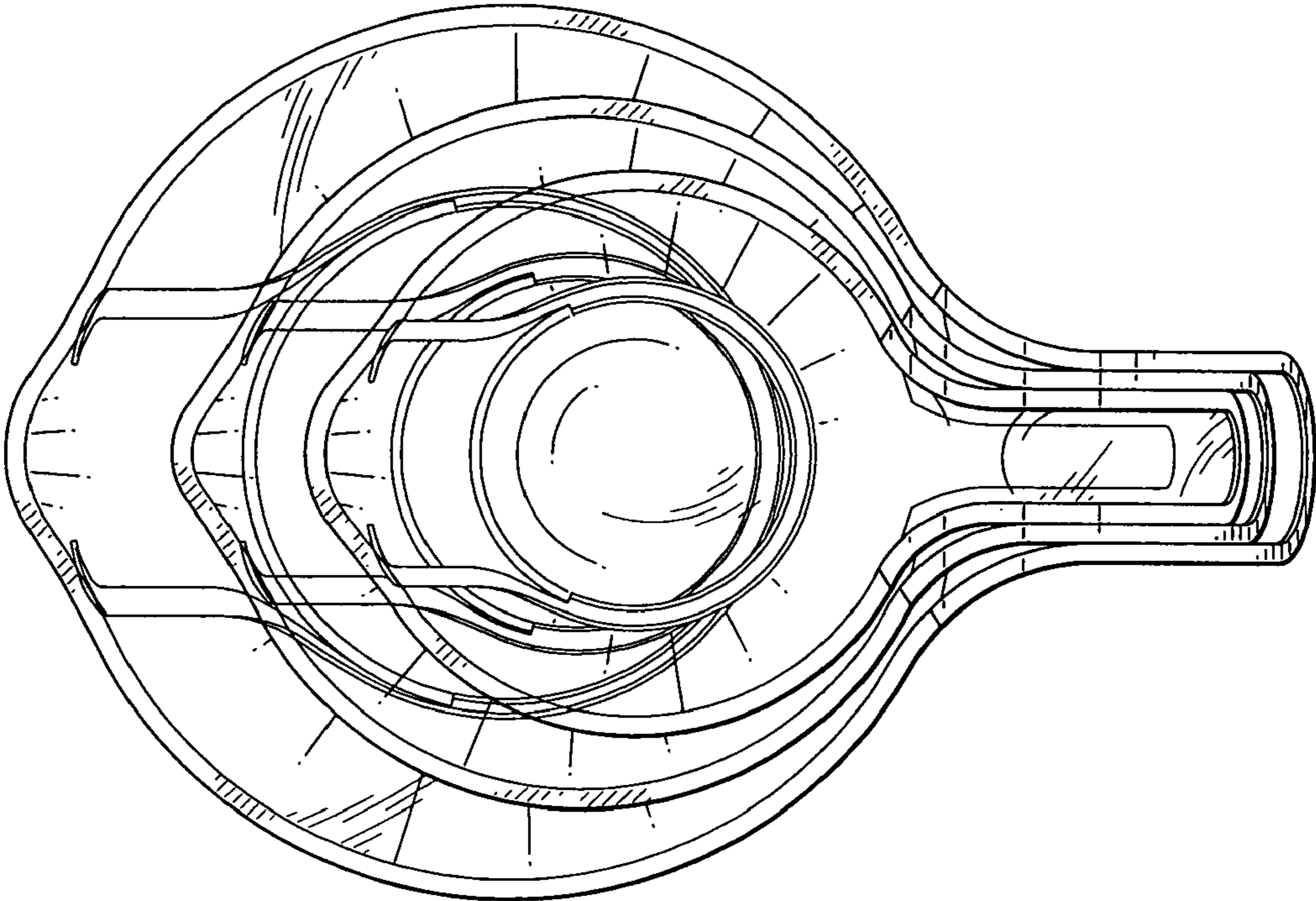


FIG. 2

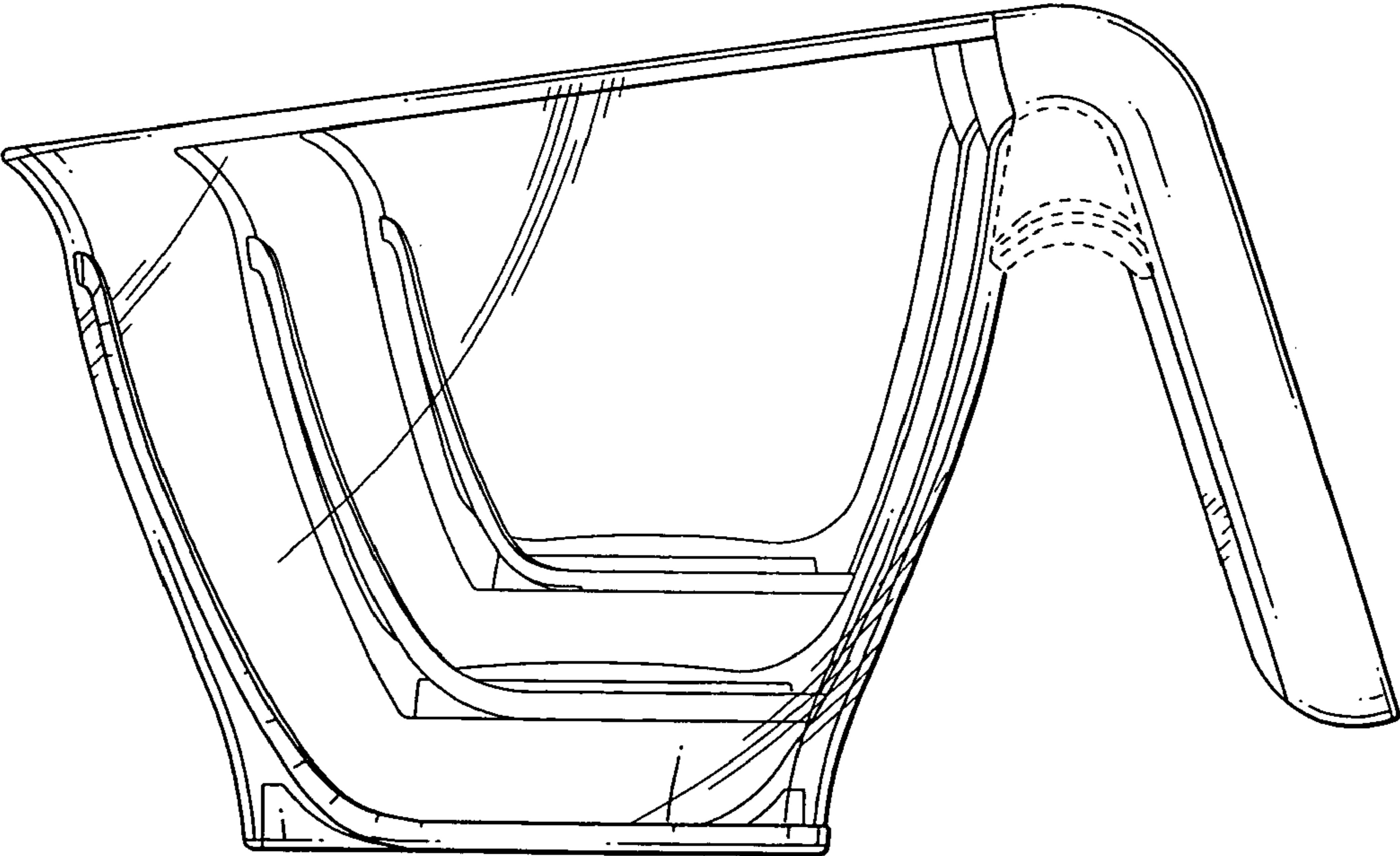


FIG. 3

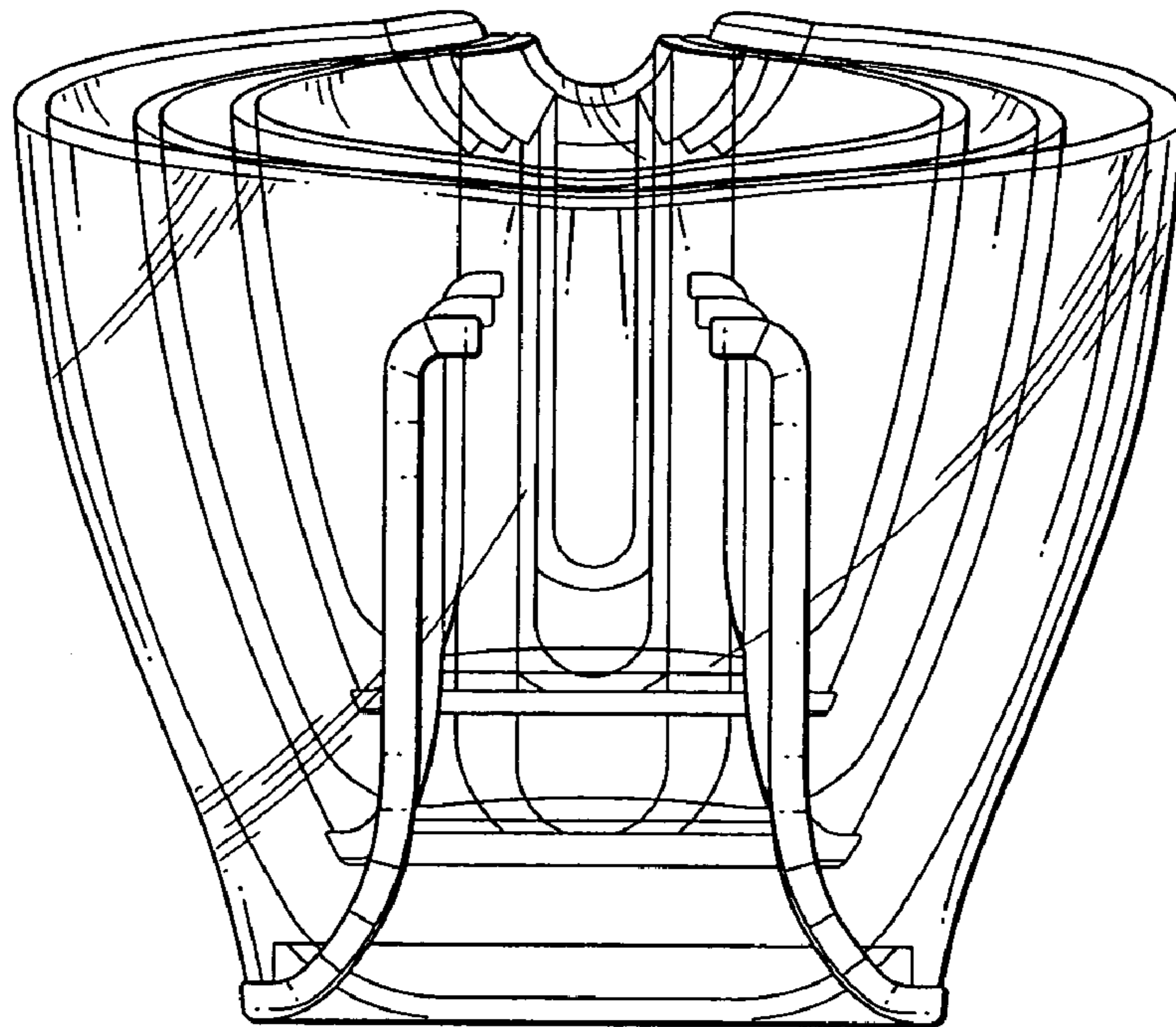


FIG. 4

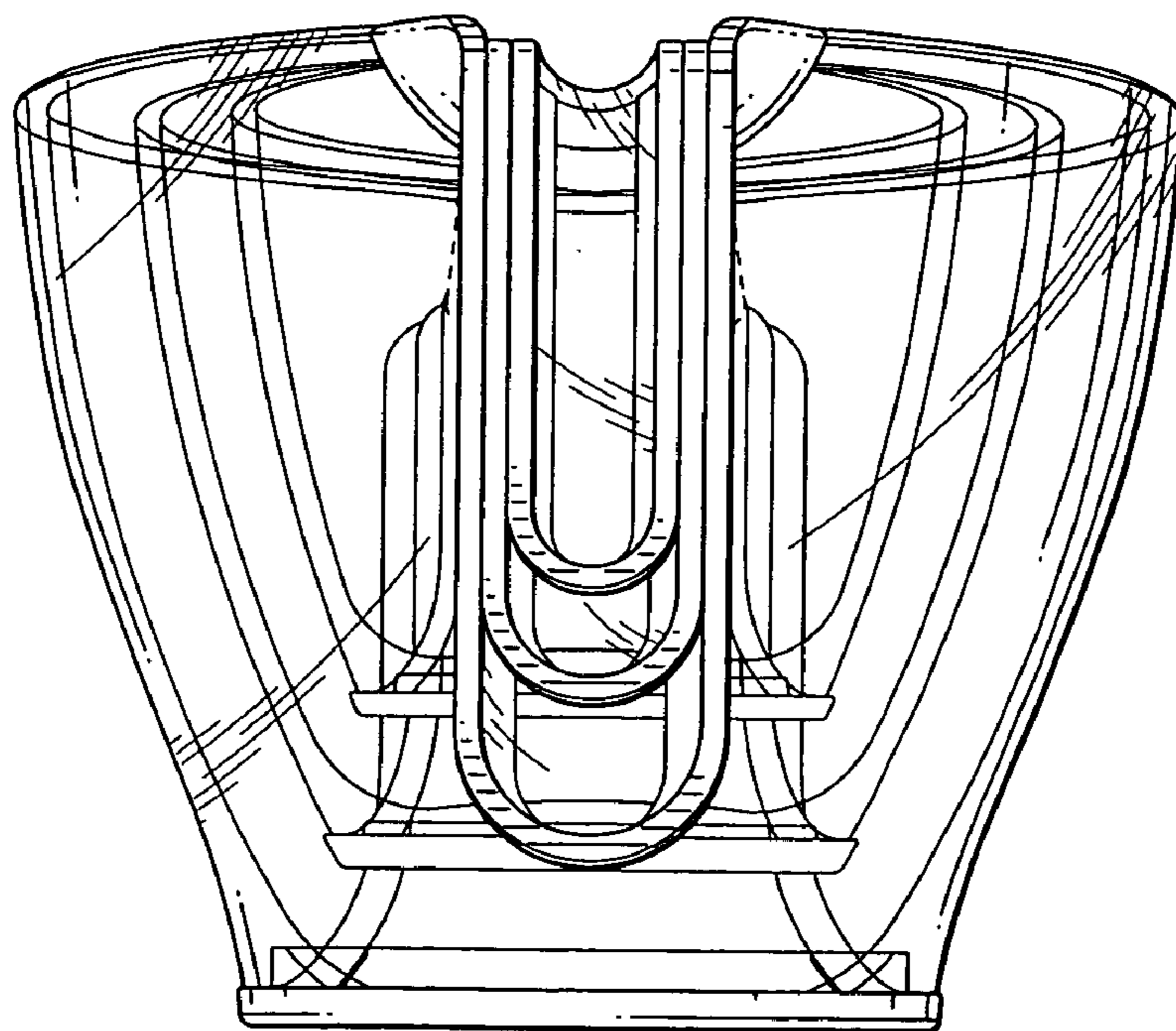


FIG. 5

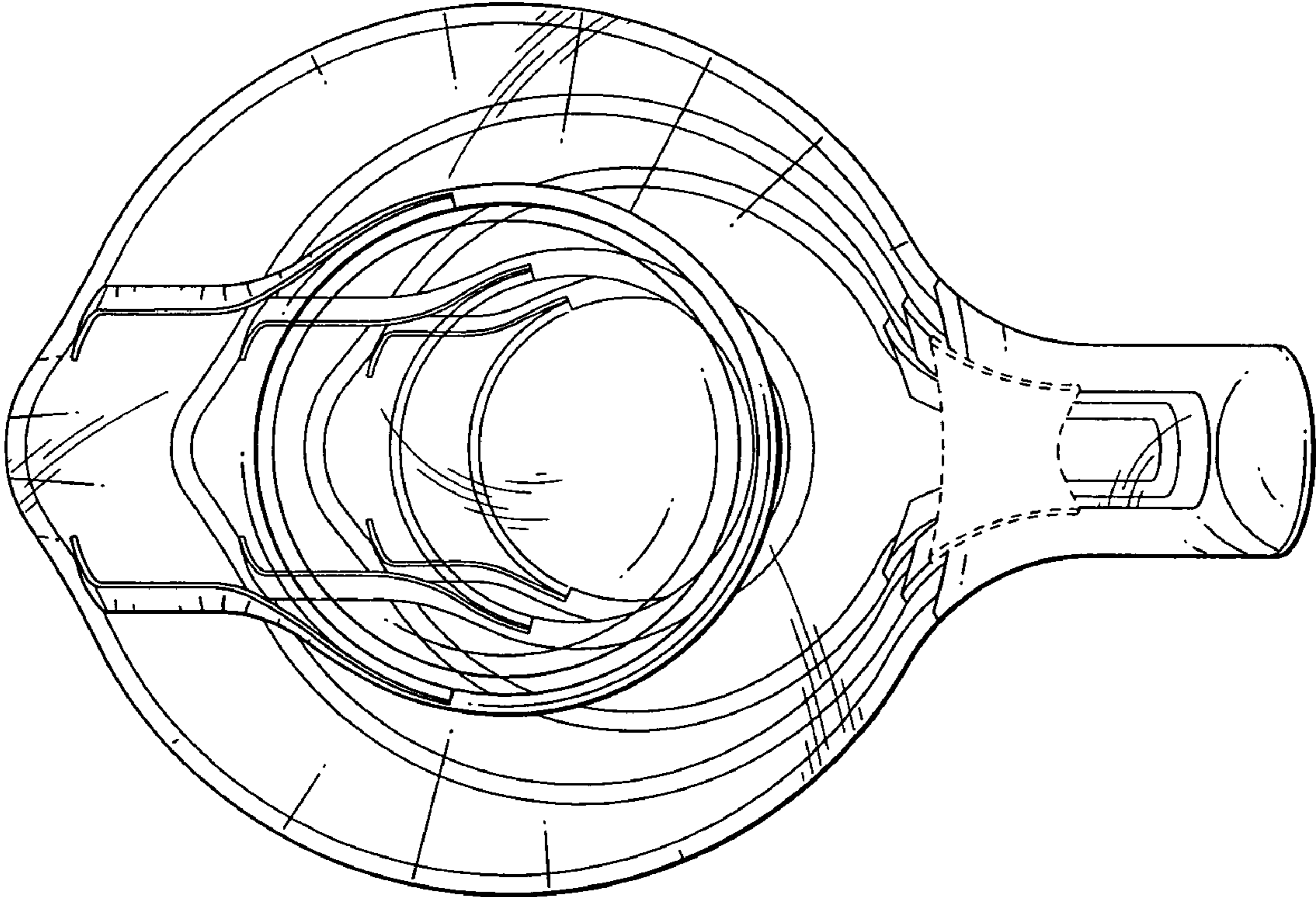


FIG. 6