

US00D548114S

(12) **United States Design Patent**  
**Sawhney et al.**

(10) **Patent No.:** **US D548,114 S**

(45) **Date of Patent:** **\*\* Aug. 7, 2007**

(54) **MEASURING CUP**

(75) Inventors: **Ravi Sawhney**, Calabasas, CA (US);  
**Lance Gordon Hussey**, Simi Valley,  
CA (US); **Ingvald Alain**  
**Smith-Kielland**, Los Angeles, CA (US);  
**Christopher Glupker**, Van Nuys, CA  
(US); **Hyun Suk Song**, Fullerton, CA  
(US)

(73) Assignee: **Zyliss USA Corporation**, Irvine, CA  
(US)

(\*\*) Term: **14 Years**

(21) Appl. No.: **29/263,253**

(22) Filed: **Jul. 19, 2006**

(51) **LOC (8) Cl.** ..... **10-04**

(52) **U.S. Cl.** ..... **D10/46.2**

(58) **Field of Classification Search** ..... D10/46.2,  
D10/46.3; D7/533; 73/426-429; 294/55;  
206/519, 520

See application file for complete search history.

(56) **References Cited**

U.S. PATENT DOCUMENTS

1,507,968 A	9/1924	Johnson	
2,165,045 A	7/1939	Garside	
3,030,812 A	4/1962	Lutz	
D210,047 S *	1/1968	Johnson	D7/662
3,381,849 A	5/1968	Karlsson	
3,400,591 A	9/1968	Larson	
3,526,138 A	9/1970	Swett et al.	
3,700,146 A *	10/1972	Cousins et al.	D7/533
4,079,629 A	3/1978	Hope	
4,136,022 A	1/1979	Hutzler et al.	
4,420,081 A	12/1983	Dart	
D287,324 S *	12/1986	Schmidt	D10/46.2

5,137,316 A	8/1992	Foos	
5,203,836 A	4/1993	Brazis et al.	
5,235,853 A *	8/1993	Froes	73/427
5,784,953 A	7/1998	Wang	
D437,793 S	2/2001	Kaposi et al.	
D438,125 S	2/2001	Kaposi et al.	
D440,164 S	4/2001	Kerr	
D450,605 S	11/2001	Wright	
D473,148 S *	4/2003	Kleckauskas et al.	D10/46.2
6,543,284 B2	4/2003	Hoeting et al.	
6,769,302 B1 *	8/2004	King et al.	73/427
2005/0247129 A1	11/2005	Carragan	

\* cited by examiner

*Primary Examiner*—Terry A. Wallace

(74) *Attorney, Agent, or Firm*—Brinks Hofer Gilson & Lione

(57) **CLAIM**

We claim the ornamental design for a measuring cup, as shown and described.

**DESCRIPTION**

FIG. 1 is a top perspective view of a measuring cup of the present invention;

FIG. 2 is a top view thereof;

FIG. 3 is a right side view thereof, wherein the left side view is a mirror image thereof;

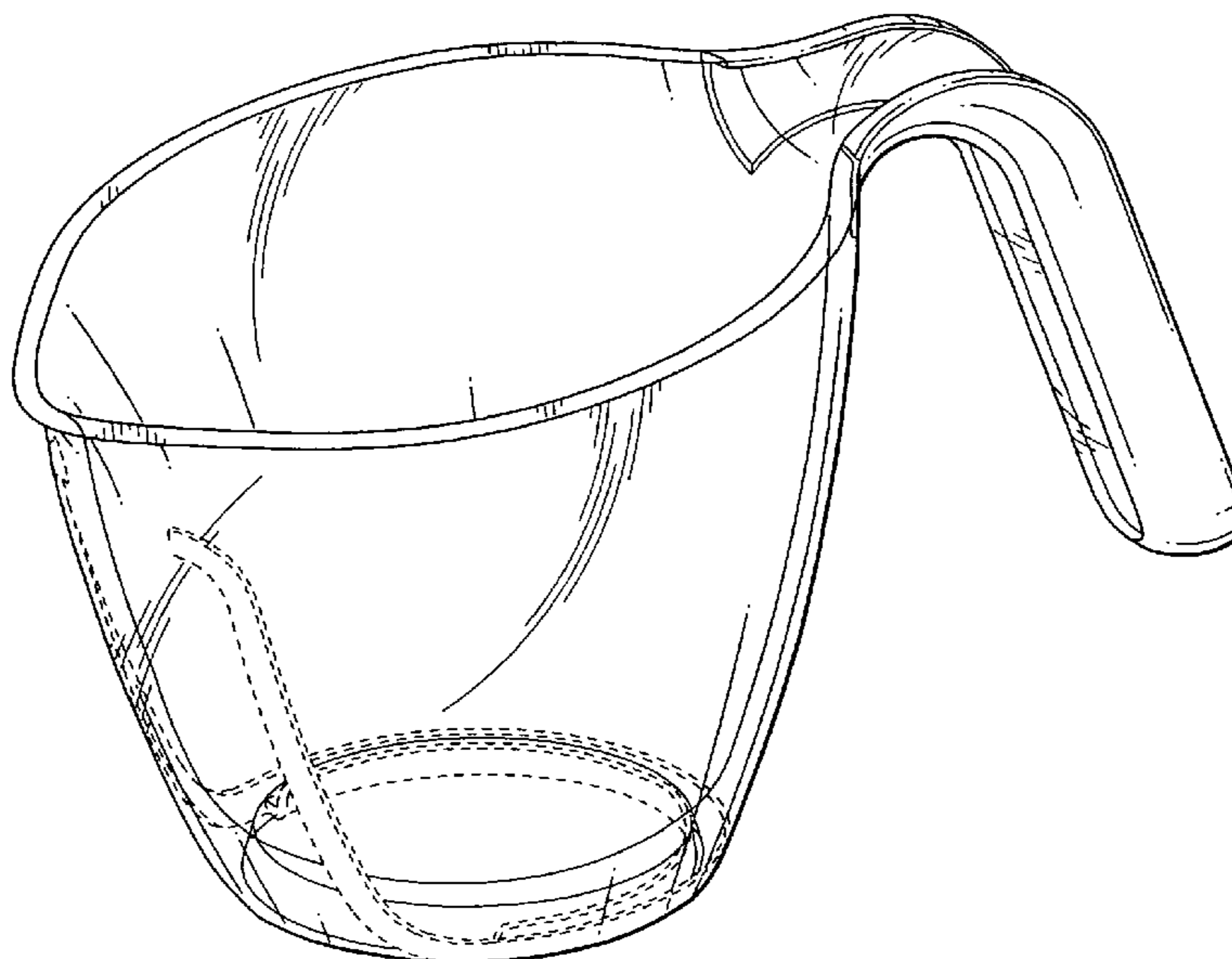
FIG. 4 is a front view thereof;

FIG. 5 is a rear view thereof; and,

FIG. 6 is a bottom view thereof.

The ornamental design which is claimed is shown in solid lines in the drawings. Any broken lines in the drawings are for illustrative purposes only and form no part of the claimed design.

**1 Claim, 4 Drawing Sheets**



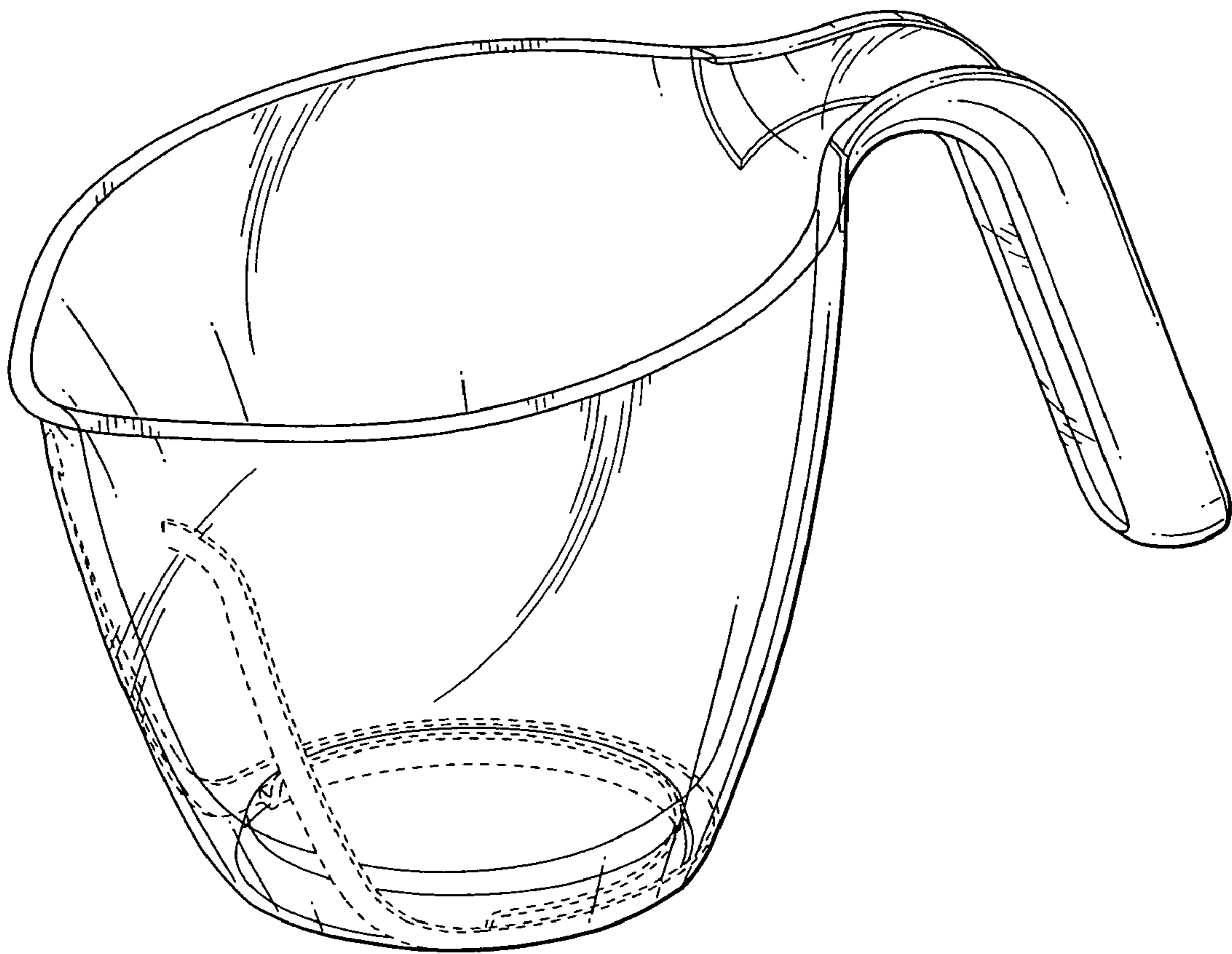


FIG. 1

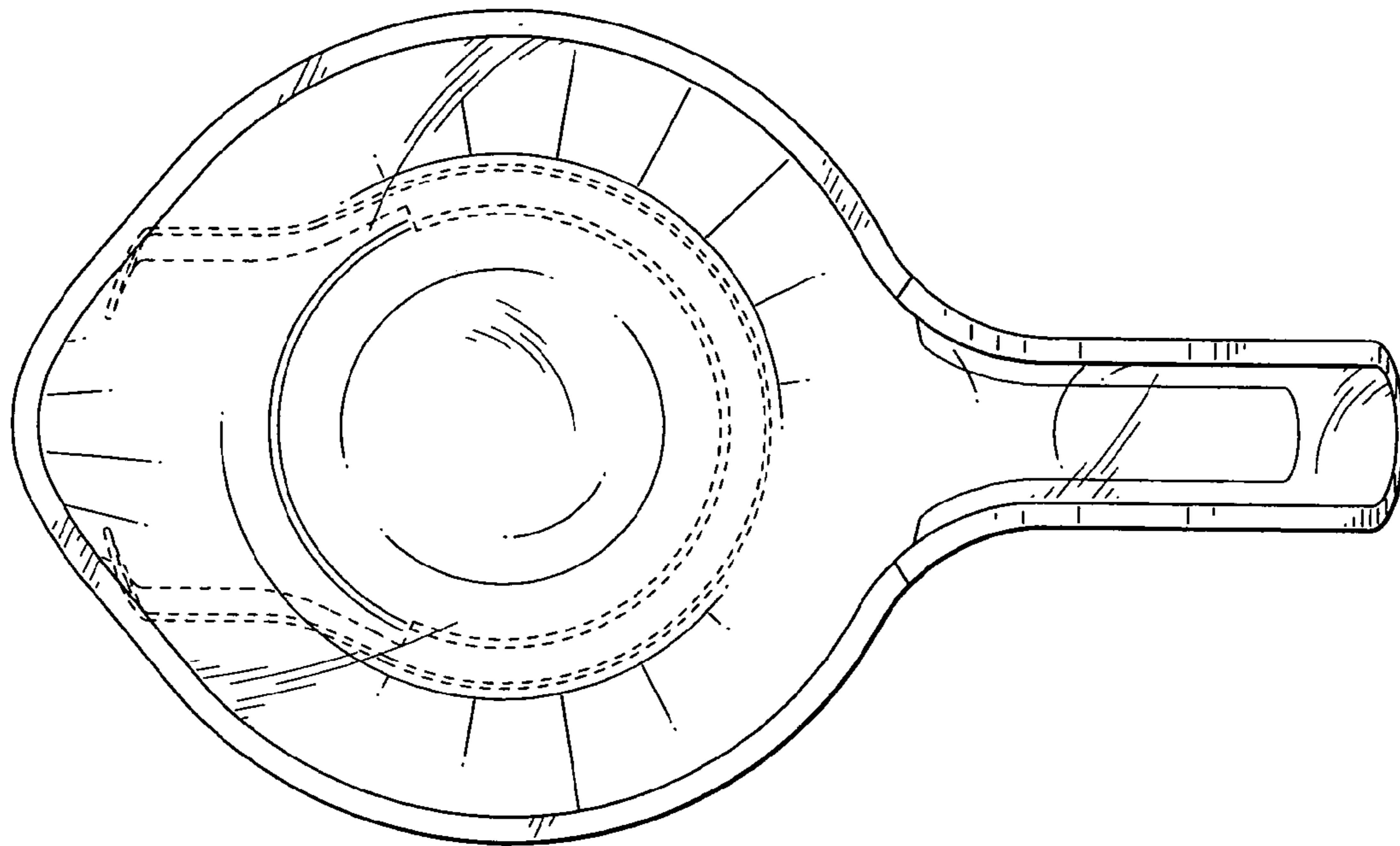


FIG. 2

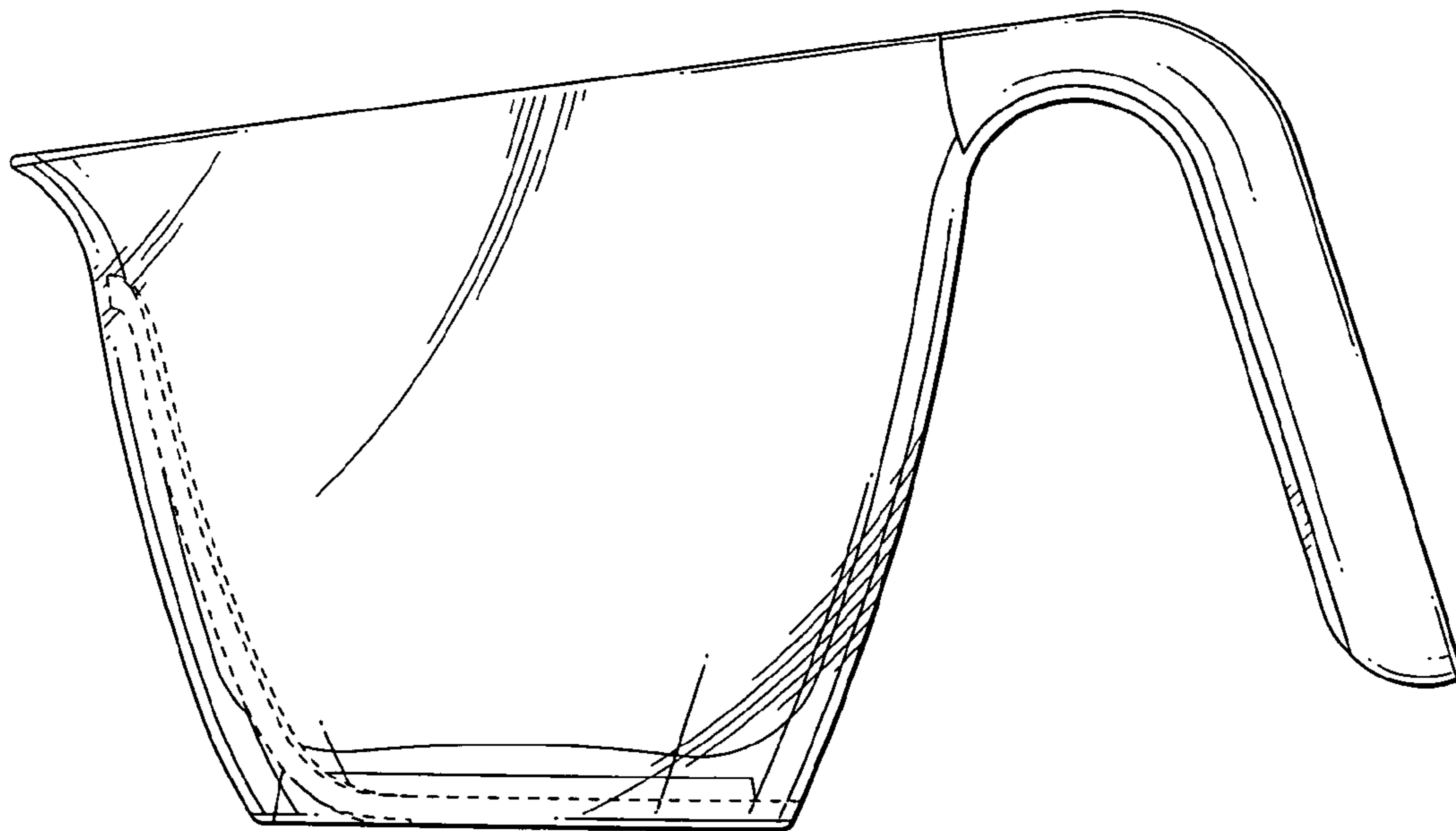


FIG. 3

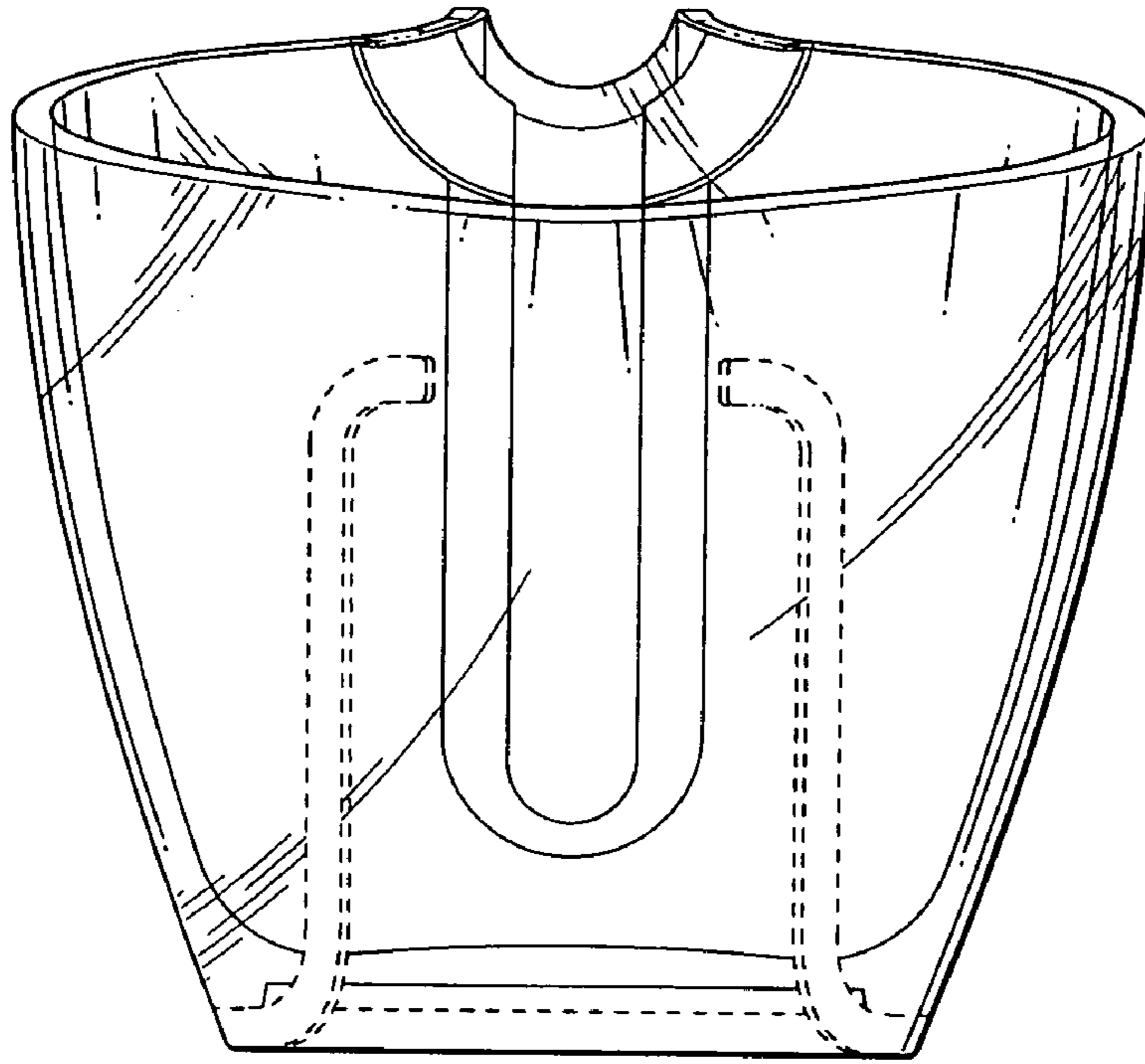


FIG. 4

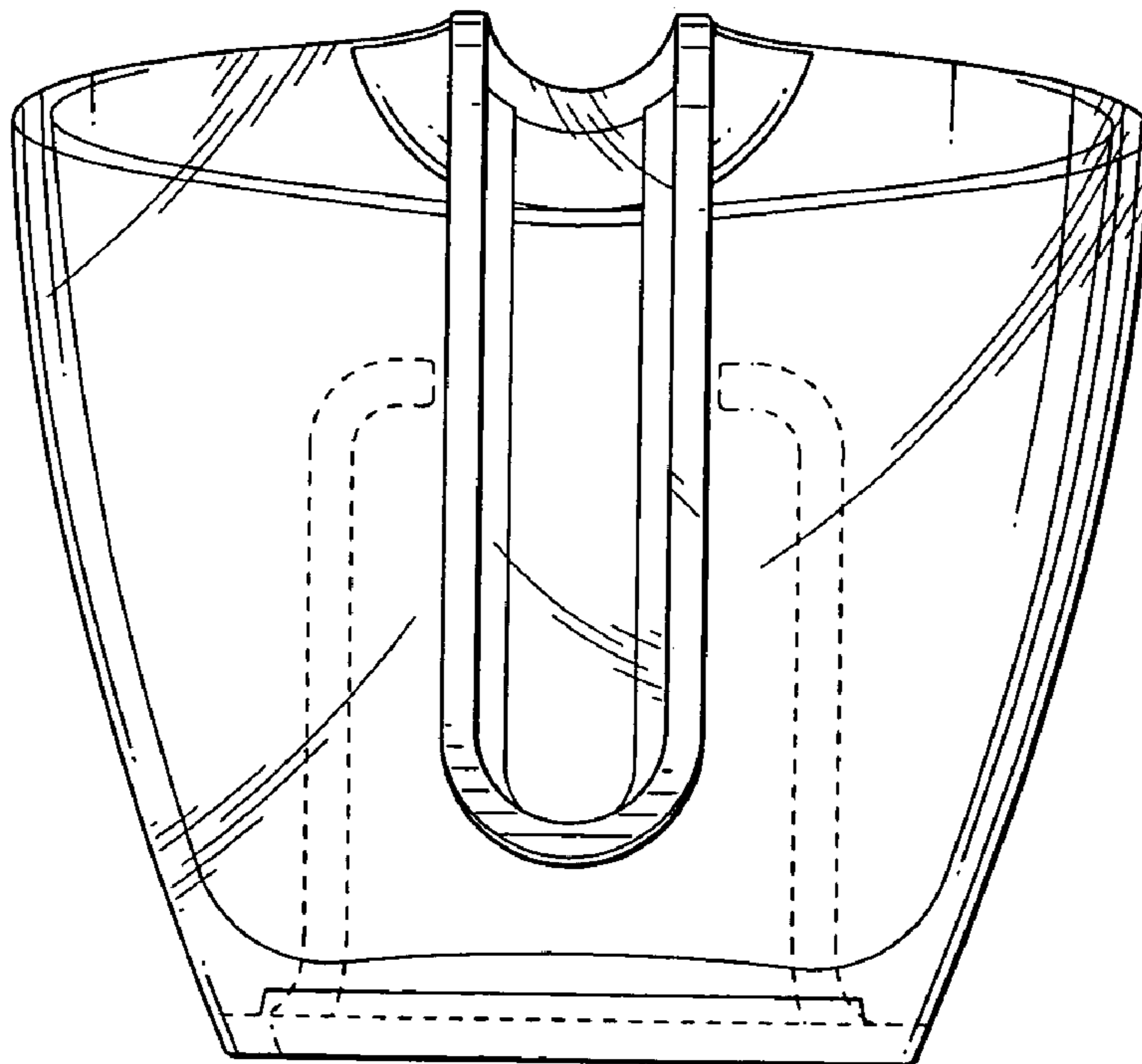


FIG. 5



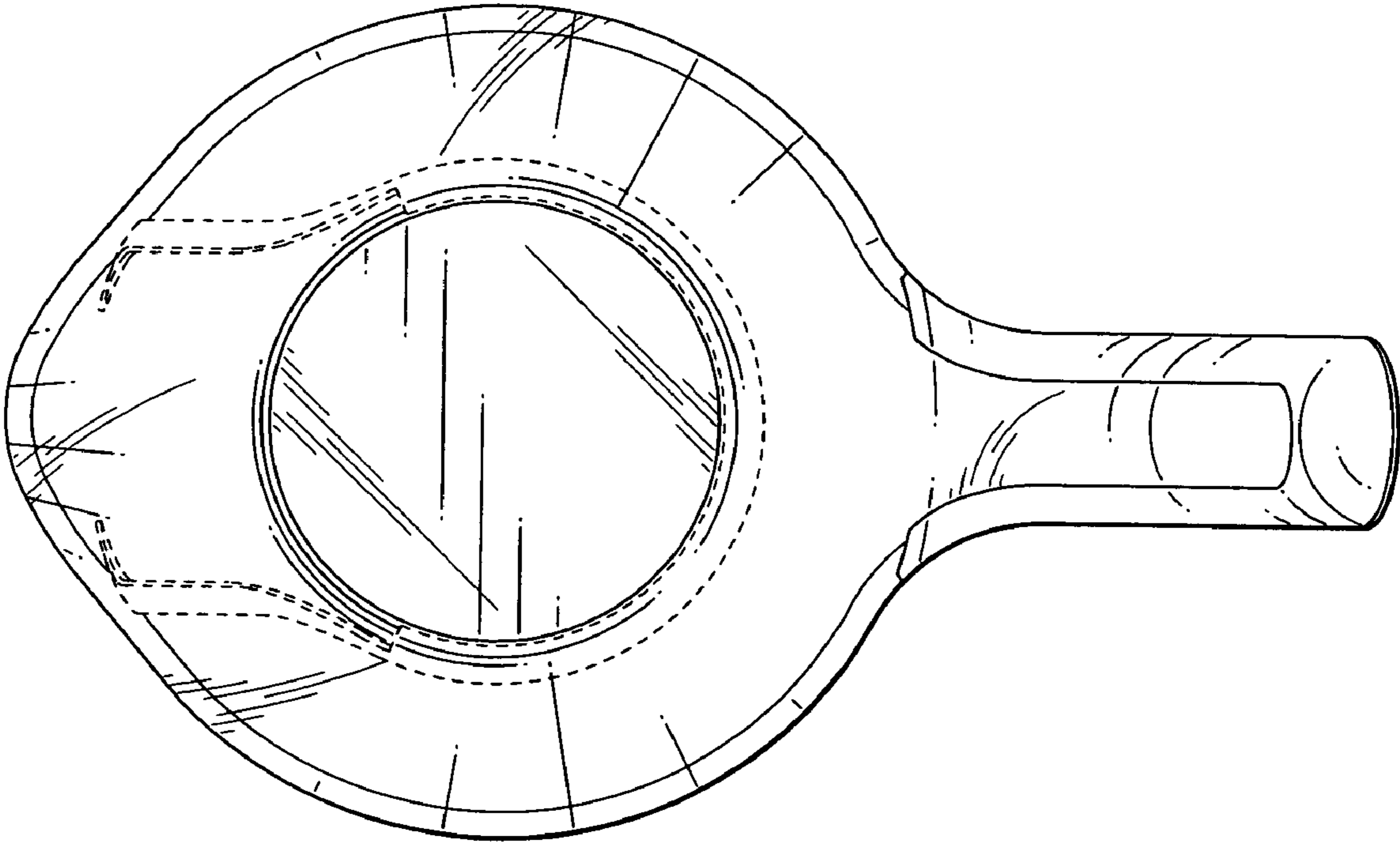


FIG. 6