



US00D548110S

(12) **United States Design Patent**  
**Pugh**

(10) **Patent No.:** **US D548,110 S**

(45) **Date of Patent:** **\*\* Aug. 7, 2007**

(54) **BLISTER PACK CONTAINING AIR FRESHENER DEVICES**

(75) Inventor: **Simon Pugh**, Hull (GB)

(73) Assignee: **Reckitt Benckiser (UK) Limited**, Slough (GB)

(\*\*) Term: **14 Years**

(21) Appl. No.: **29/242,142**

(22) Filed: **Nov. 4, 2005**

(30) **Foreign Application Priority Data**

May 6, 2005 (EM) ..... 000338637-0010

(51) **LOC (8) Cl.** ..... **09-03**

(52) **U.S. Cl.** ..... **D9/732**

(58) **Field of Classification Search** ..... D9/730, D9/732, 758, 414, 415, 418; D3/201-203.2; D28/73-77, 86; 206/459.5, 469, 461-463, 206/528-534, 538, 828; 221/17, 22, 112, 221/92-97, 282, 287, 296; 222/92-97, 105, 222/129, 173, 519, 522

See application file for complete search history.

(56) **References Cited**

**U.S. PATENT DOCUMENTS**

- 3,173,540 A \* 3/1965 Lapidis ..... 206/463
- 4,083,451 A \* 4/1978 Hair ..... 206/461
- D256,777 S \* 9/1980 Sorsjo ..... D9/732
- D265,056 S \* 6/1982 Hadtke ..... D9/730
- D290,090 S \* 6/1987 Collingwood ..... D9/415

- D364,343 S \* 11/1995 Mello ..... D9/415
- D376,102 S \* 12/1996 Patapanian et al. .... D9/415
- D405,370 S \* 2/1999 Humphrey ..... D9/418
- 5,947,291 A \* 9/1999 Humphrey ..... 206/463
- D441,646 S \* 5/2001 Adkins ..... D9/415
- 6,308,832 B1 \* 10/2001 Pirro et al. .... 206/462
- D455,346 S \* 4/2002 Humphrey ..... D9/415

\* cited by examiner

*Primary Examiner*—Stella Reid

*Assistant Examiner*—Shanda C. Hill

(74) *Attorney, Agent, or Firm*—Norris McLoughlin & Marcus, PA

(57) **CLAIM**

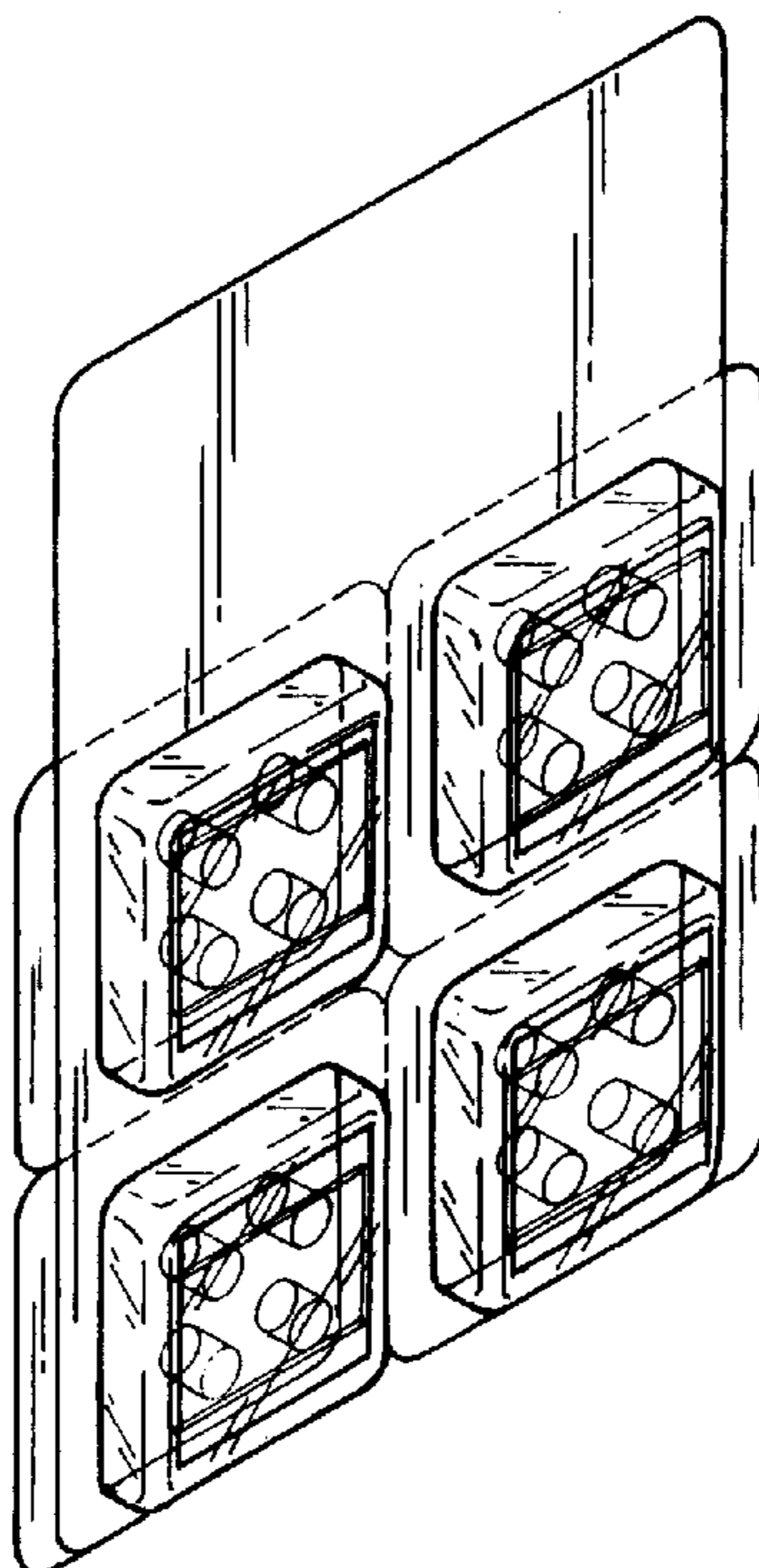
The ornamental design for a blister pack containing air freshener devices, as shown and described.

**DESCRIPTION**

FIG. 1 is a front perspective view of a blister pack containing air freshener devices showing my new design;  
 FIG. 2 is a front elevational view thereof;  
 FIG. 3 is a side elevational view thereof;  
 FIG. 4 is a front elevational view thereof opposite that which is shown in FIG. 3;  
 FIG. 5 is a rear elevational view thereof;  
 FIG. 6 is an end view thereof; and,  
 FIG. 7 is an end view thereof opposite that which is shown in FIG. 6.

The broken lines shown in the drawing disclosure are for illustrative purposes only and form no part of the claimed design.

**1 Claim, 3 Drawing Sheets**



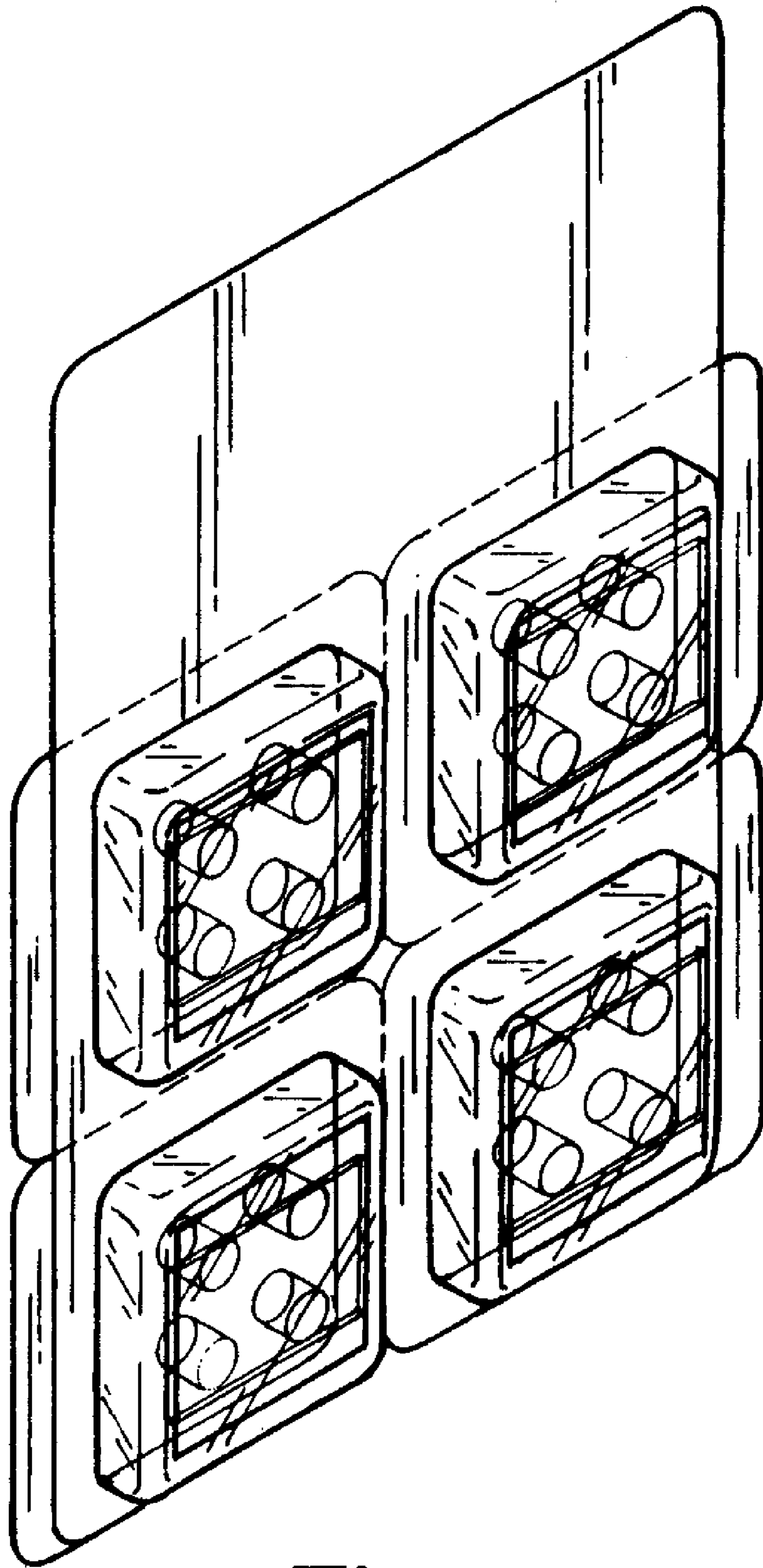


Fig. 1.

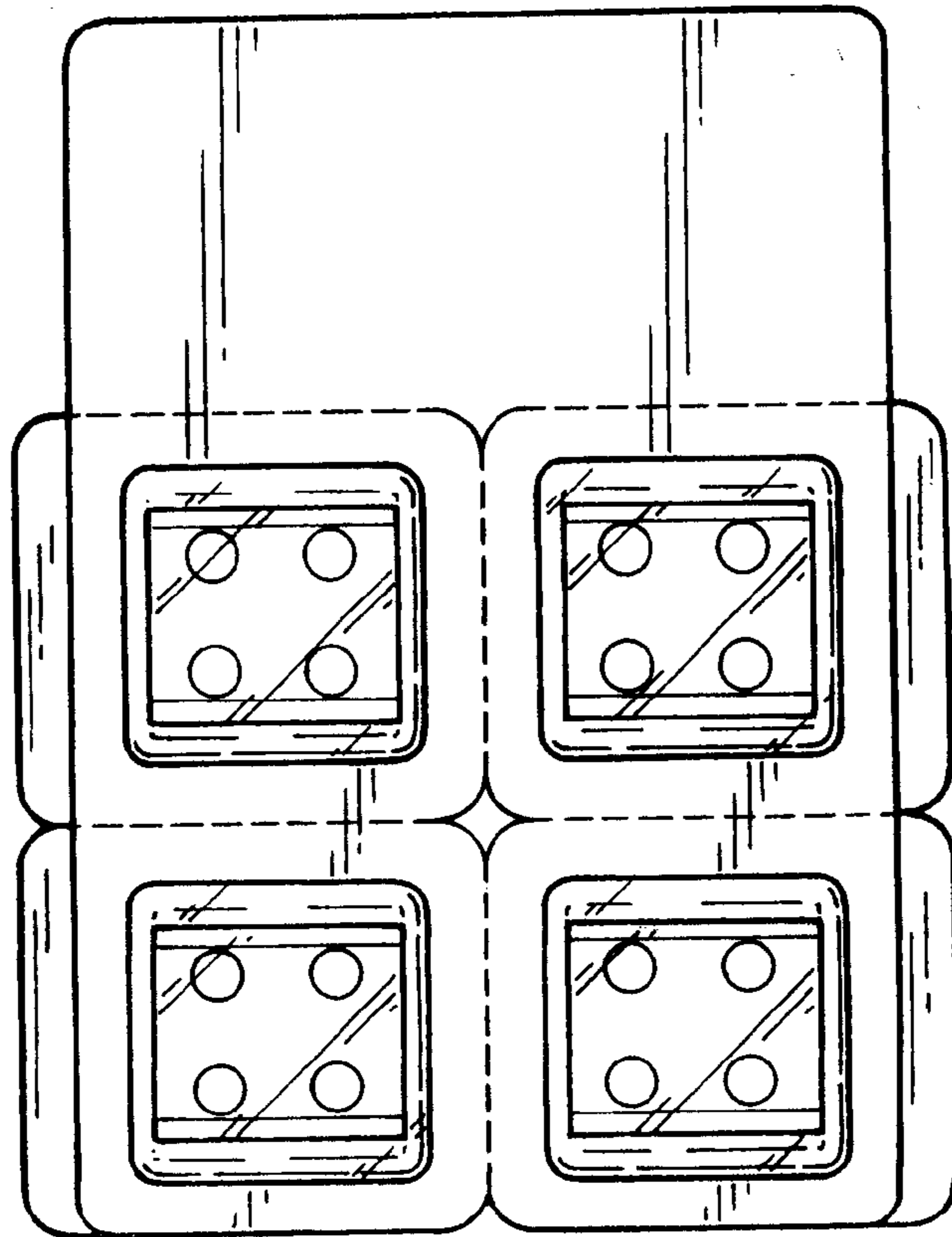


Fig.2.



Fig.3.



Fig.4.

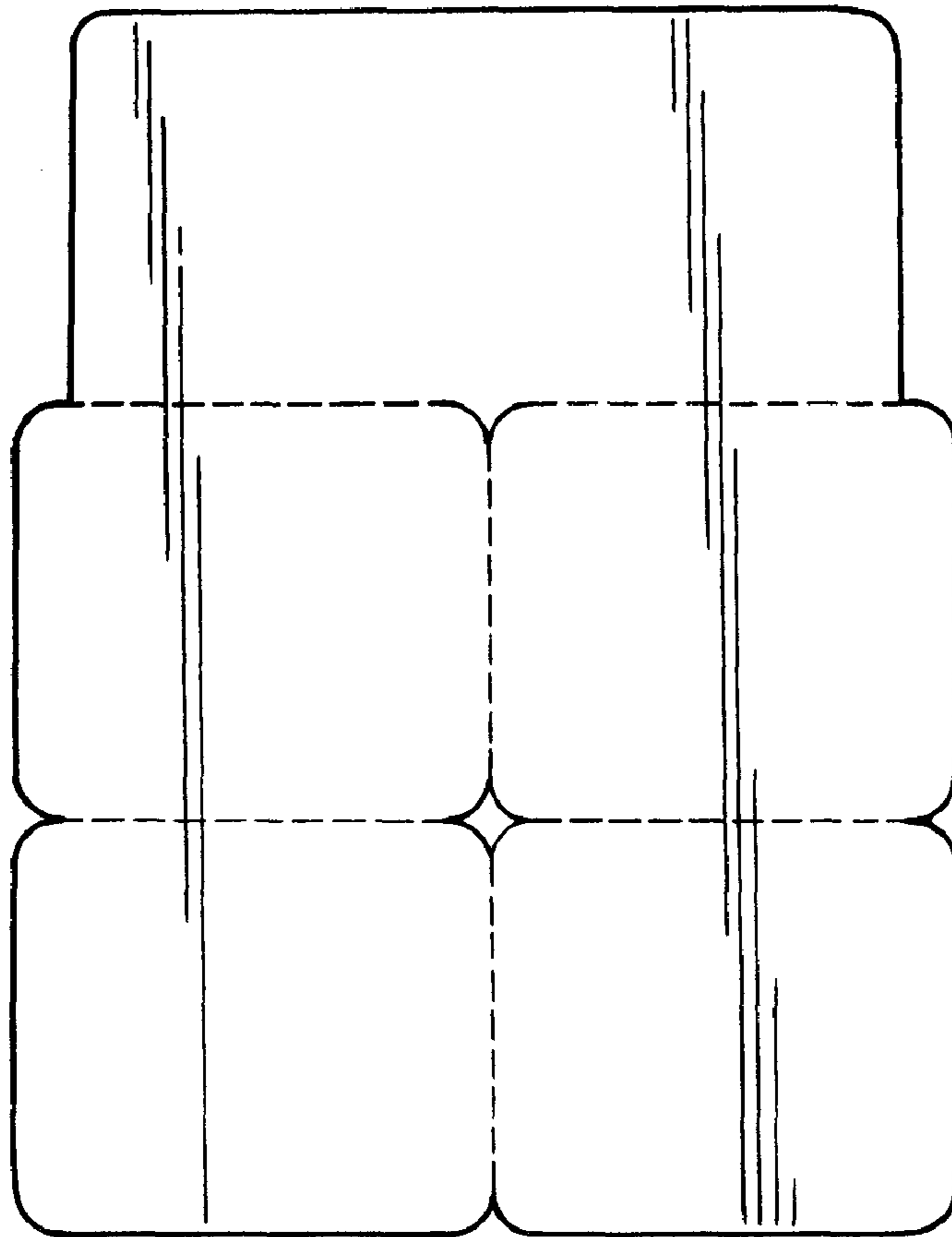


Fig.5.



Fig.6.



Fig.7.