

US00D548109S

(12) **United States Design Patent**
Rust et al.

(10) **Patent No.:** **US D548,109 S**

(45) **Date of Patent:** **** Aug. 7, 2007**

(54) **DISPENSER FOR SMALL ITEM**

(75) Inventors: **Matthew H. Rust**, Hudson, WI (US);
Thomas E. Kramer, Coon Rapids, MN (US)

(73) Assignee: **Webb Business Promotions, Inc.**,
Rosemount, MN (US)

(**) Term: **14 Years**

(21) Appl. No.: **29/260,909**

(22) Filed: **Jun. 2, 2006**

(51) **LOC (8) Cl.** **09-01**

(52) **U.S. Cl.** **D9/731**

(58) **Field of Classification Search** D9/730-733,
D9/737, 756, 757, 758, 761, 762, 414, 428,
D9/430, 432; D24/121; D6/512, 515; D3/201,
D3/203.1, 203.2, 203.3, 203.4; 206/461,
206/528, 531, 532, 538, 557; 220/500; 128/830
See application file for complete search history.

(56) **References Cited**

U.S. PATENT DOCUMENTS

D273,805 S *	5/1984	Filhol	D9/731
D380,378 S *	7/1997	Wood	D9/731
D384,283 S *	9/1997	Davies et al.	D9/731
D405,361 S *	2/1999	Cameron et al.	D9/731
D420,904 S *	2/2000	Finkelston et al.	D9/731
D423,925 S *	5/2000	Finkelston et al.	D9/731

D460,916 S *	7/2002	Garrant et al.	D9/731
D470,408 S *	2/2003	Garrant et al.	D9/731
6,669,022 B2 *	12/2003	Donegan	206/531
2002/0166791 A1 *	11/2002	Donegan	206/531
2004/0188313 A1 *	9/2004	Tedham	206/531

* cited by examiner

Primary Examiner—Stella Reid

Assistant Examiner—Shanda C. Hill

(74) *Attorney, Agent, or Firm*—Merchant & Gould P.C.

(57) **CLAIM**

The ornamental design for dispenser for small item, as shown and described.

DESCRIPTION

FIG. 1 is a top, front, right perspective view of a dispenser for small item made in accordance with our new design;

FIG. 2 is a front view of the embodiment of FIG. 1;

FIG. 3 is a back view of the embodiment of FIG. 1;

FIG. 4 is a top plan view of the embodiment of FIG. 1;

FIG. 5 is a bottom plan view of the embodiment of FIG. 1; and,

FIG. 6 is a left side elevational view of the embodiment of FIG. 1, with the right side elevational view being the mirror image of the left side elevational view.

1 Claim, 5 Drawing Sheets

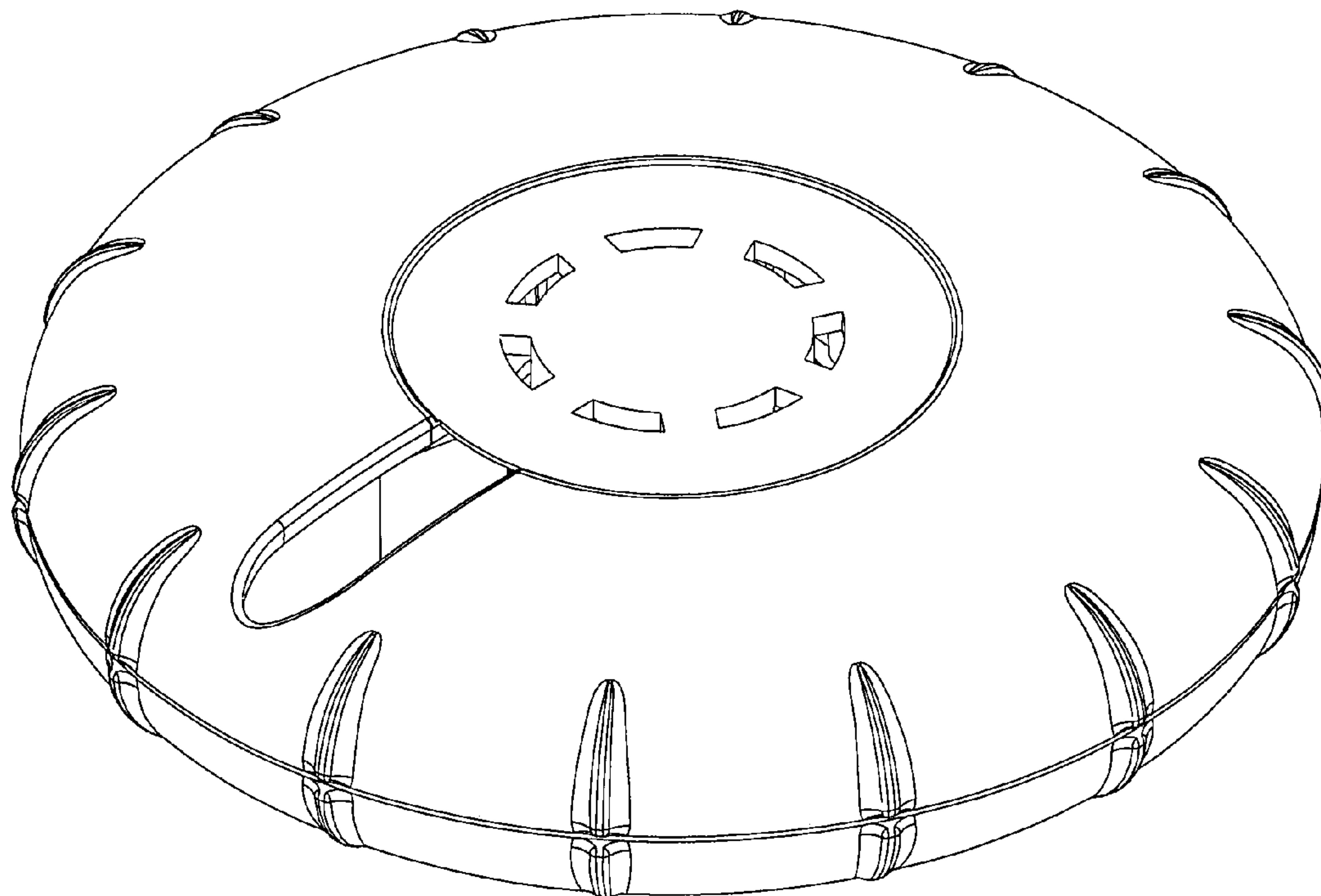


FIG. 1

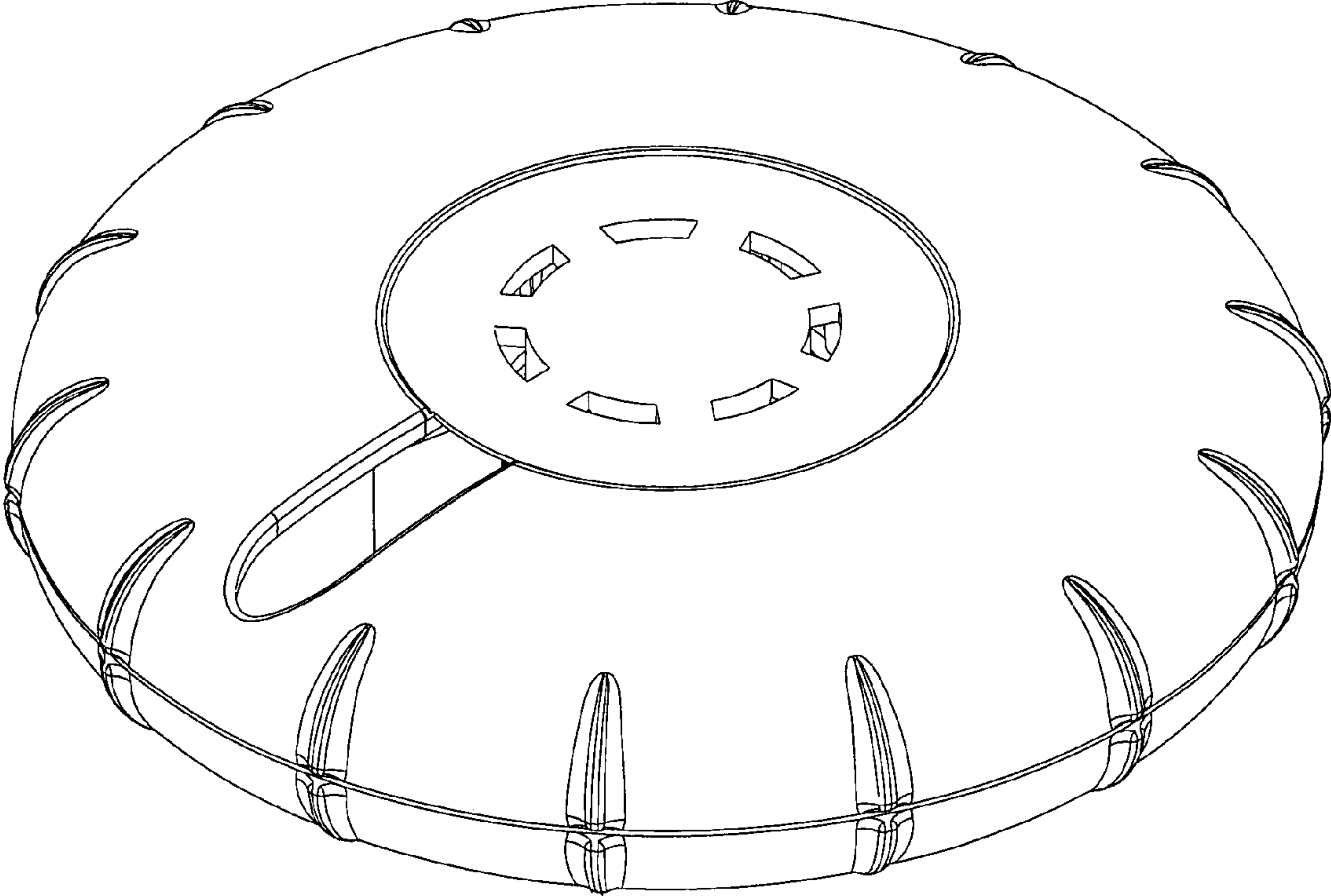


FIG.2

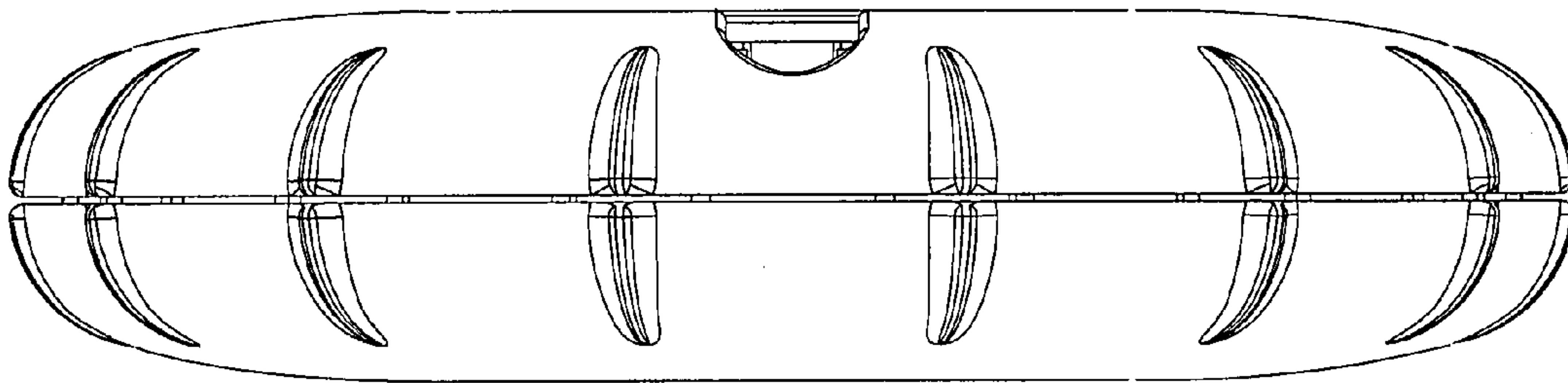


FIG.3

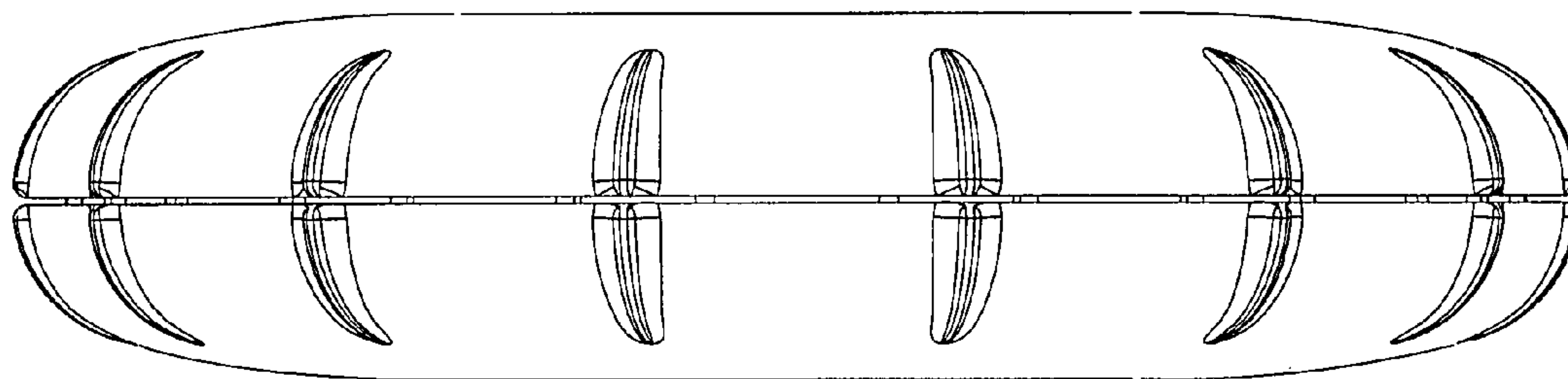


FIG. 4

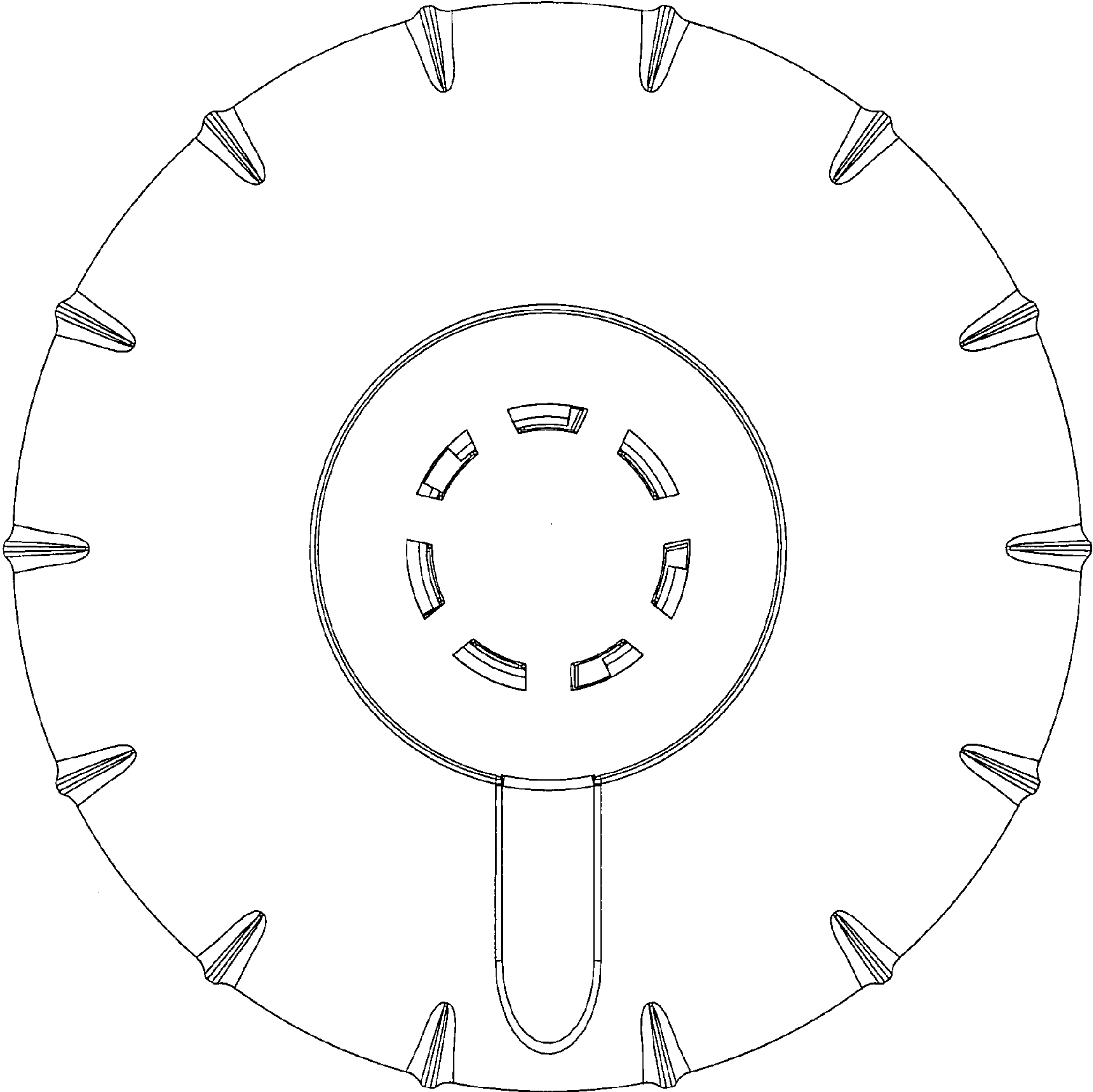


FIG.5

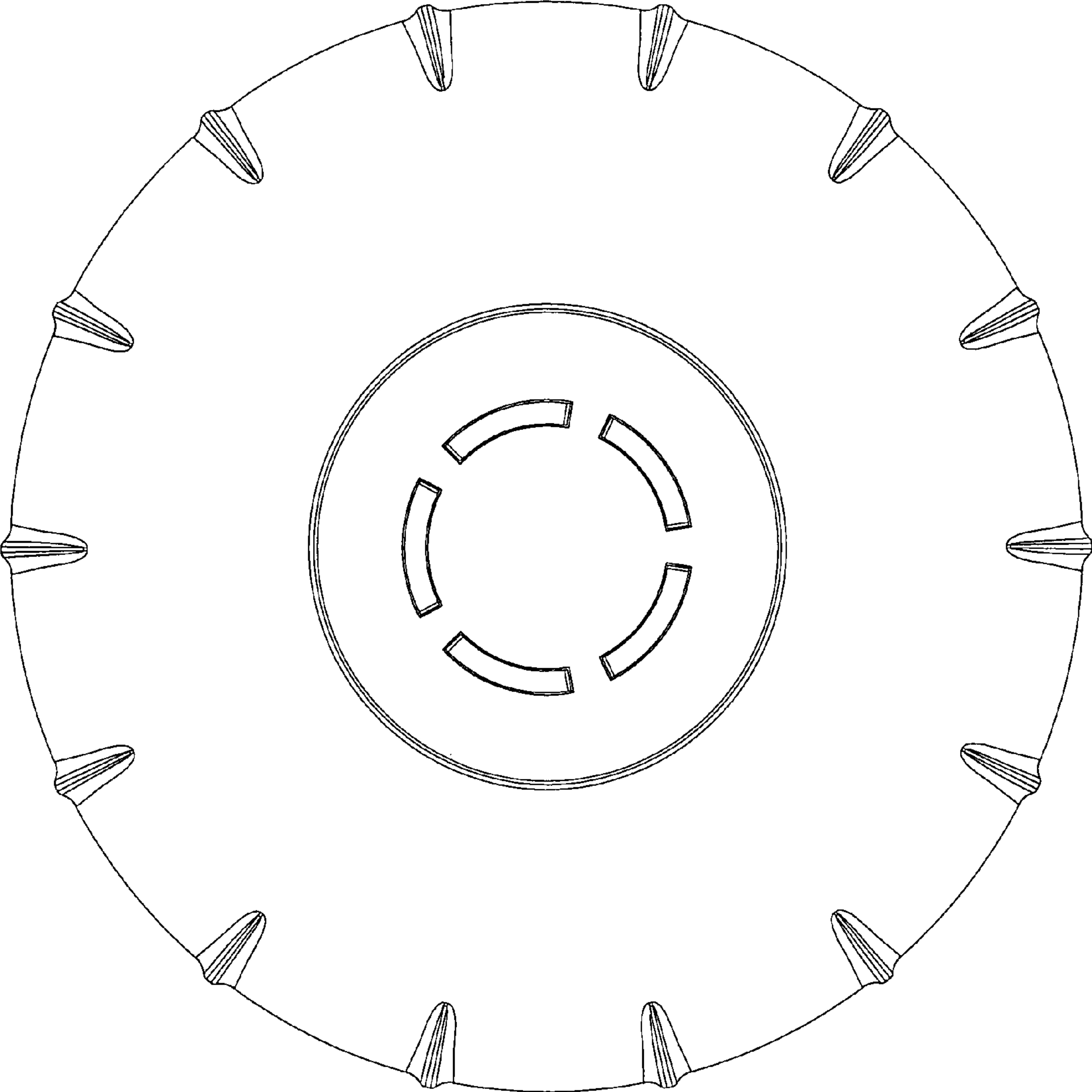


FIG.6

