

US00D548106S

(12) **United States Design Patent**
Martinez et al.

(10) **Patent No.:** **US D548,106 S**
(45) **Date of Patent:** **** Aug. 7, 2007**

(54) **BOTTLE**

(75) Inventors: **Raymundo Martinez**, Berwyn, IL (US); **Brian Pare**, Newtown, CT (US)

(73) Assignee: **PepsiCo. Inc.**, Purchase, NY (US)

(**) Term: **14 Years**

(21) Appl. No.: **29/242,494**

(22) Filed: **Nov. 11, 2005**

(51) **LOC (8) Cl.** **09-01**

(52) **U.S. Cl.** **D9/604; D9/538; D9/553**

(58) **Field of Classification Search** D9/600–601, D9/607–613, 630, 500, 502–505, 516, 520, D9/537–543, 549, 551, 556–558; 215/379–383, 215/400; 206/457, 459.1, 822–823; 220/890
See application file for complete search history.

(56) **References Cited**

OTHER PUBLICATIONS

www.jayski.com/schemes/2001cup/84sobe.jpg 2001 Winston Cup Car Sobe Car.*

* cited by examiner

Primary Examiner—Sandra L. Morris
(74) *Attorney, Agent, or Firm*—Banner & Witcoff, Ltd.

(57) **CLAIM**

The ornamental design for a bottle, as shown and described.

DESCRIPTION

FIG. 1 is a front perspective view of a bottle depicting the new design;

FIG. 2 is a front elevation plan view thereof;

FIG. 3 is another elevation plan view rotated about 60° to the left as compared to FIG. 2;

FIG. 4 is another elevation view plan rotated about 60° to the left as compared to FIG. 3;

FIG. 5 is a top view thereof;

FIG. 6 is a bottom view thereof;

FIG. 7 is a front perspective view of another embodiment of the bottle depicting the new design;

FIG. 8 is a front elevation plan view thereof;

FIG. 9 is another elevation plan view rotated about 60° to the left as compared to FIG. 8;

FIG. 10 is another front elevation plan view rotated about 60° to the left as compared to FIG. 9;

FIG. 11 is a top view thereof; and,

FIG. 12 is a bottom view thereof.

The dash lines shown in the drawings are for illustrative purposes only and form no part of the claimed design.

The dot-dash-dot lines shown in the drawings define the boundary of the claim and form no part of the claimed design.

1 Claim, 10 Drawing Sheets



Fig. 1



Fig. 2

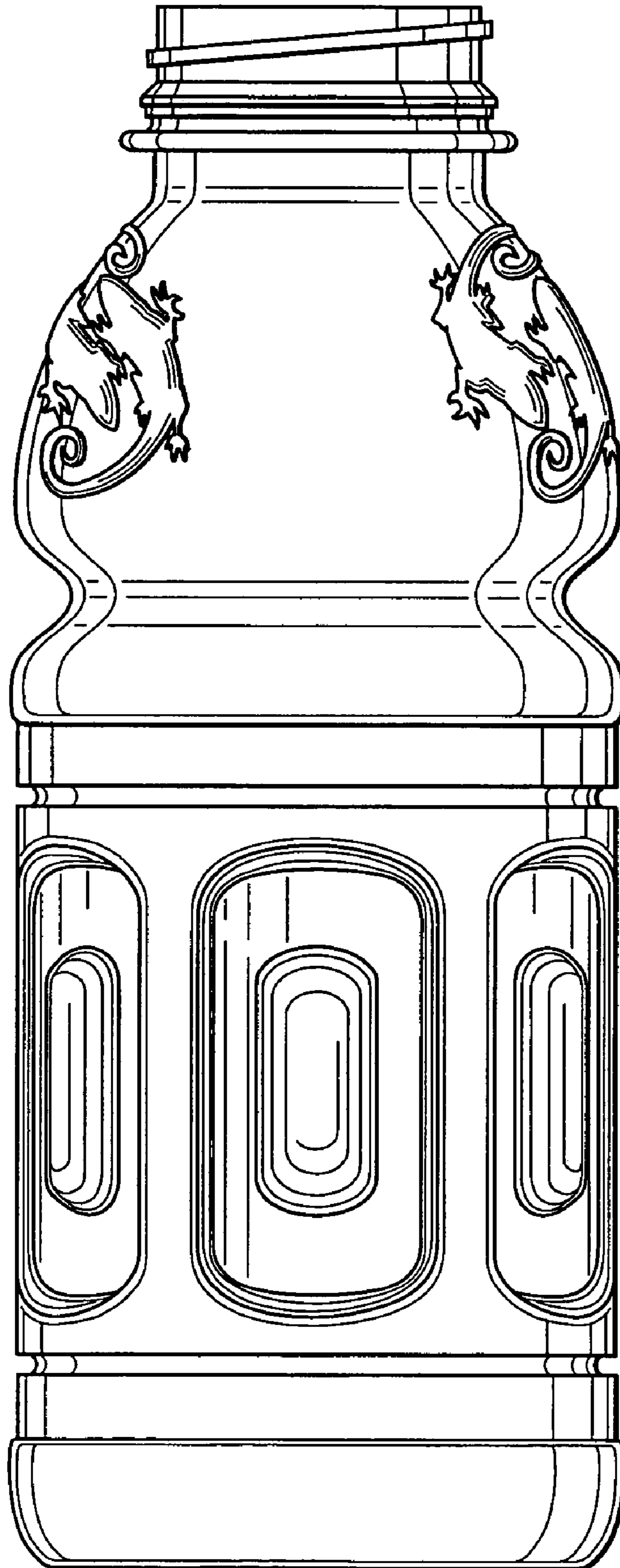


Fig. 3

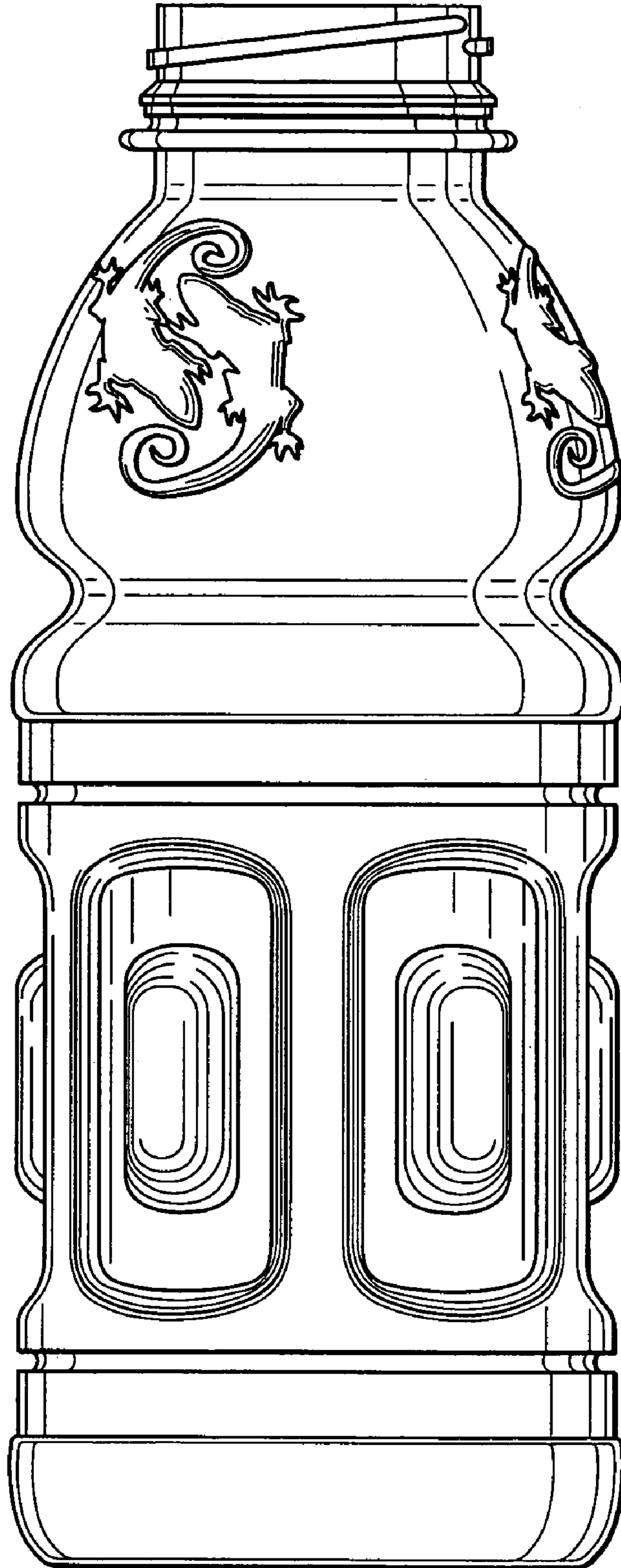


Fig. 4

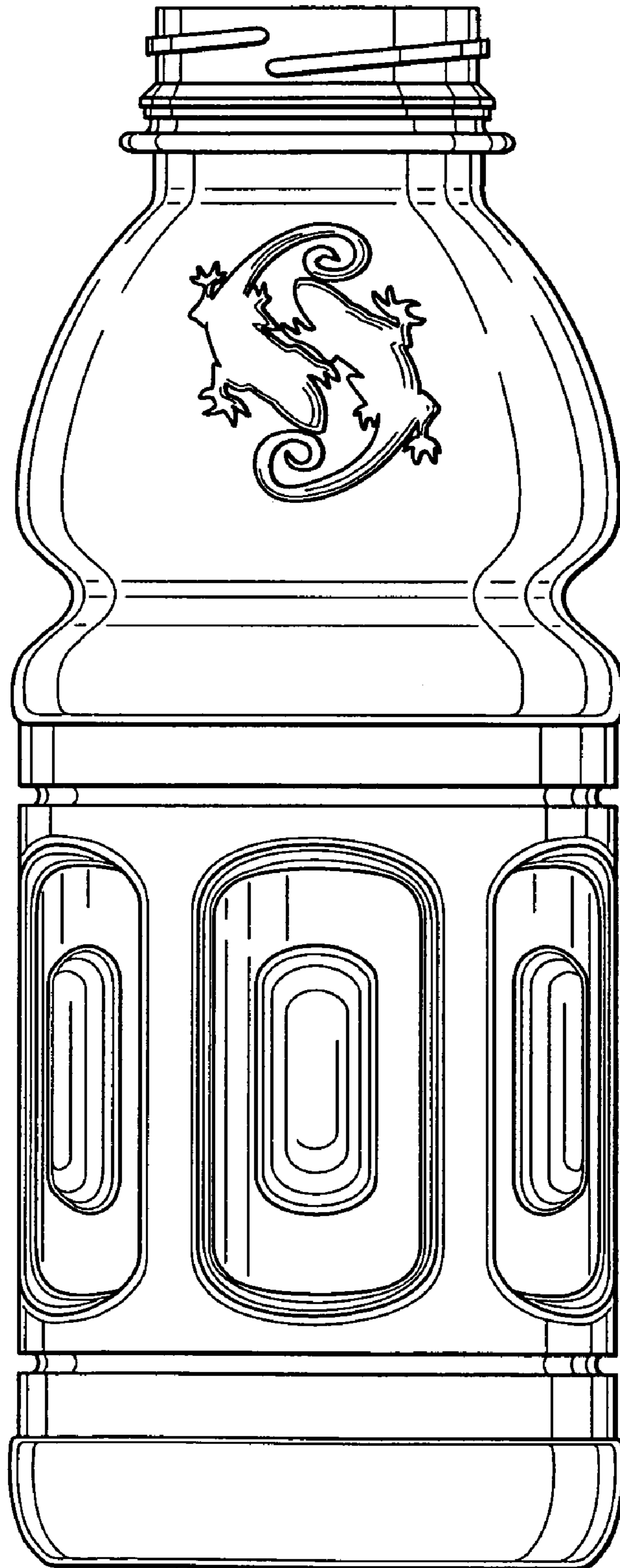


Fig. 5

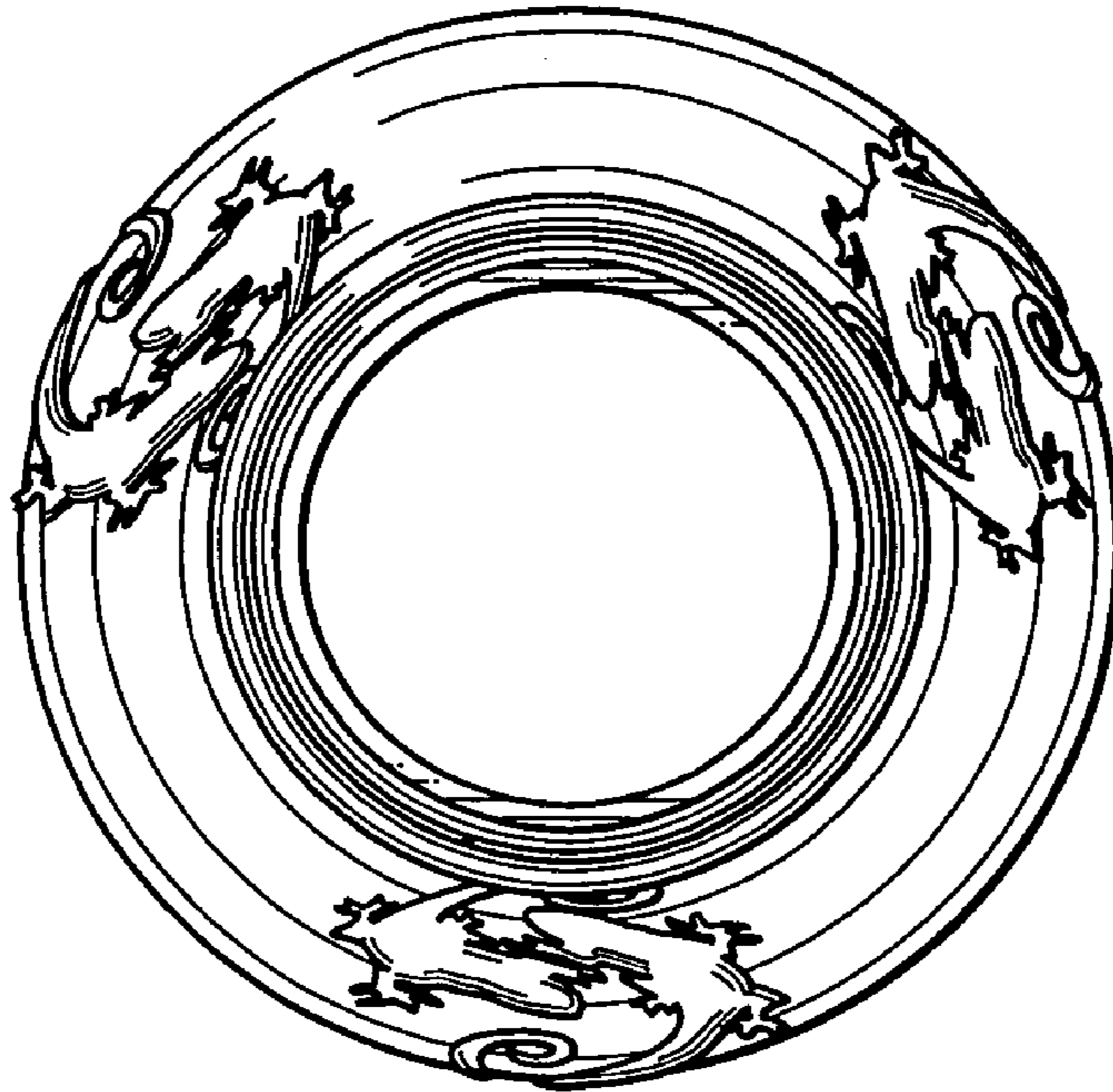


Fig. 6

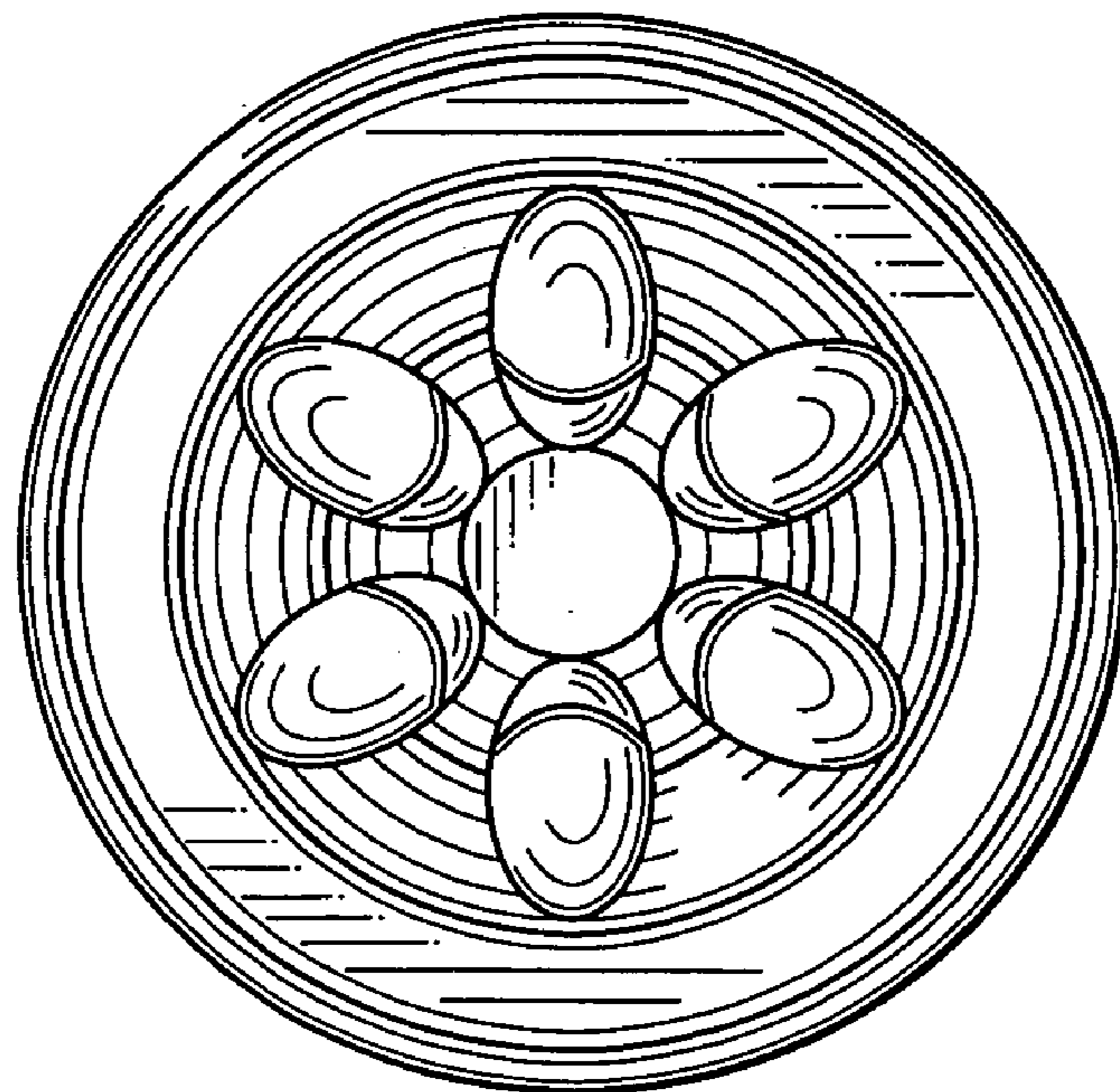


Fig. 7



Fig. 8

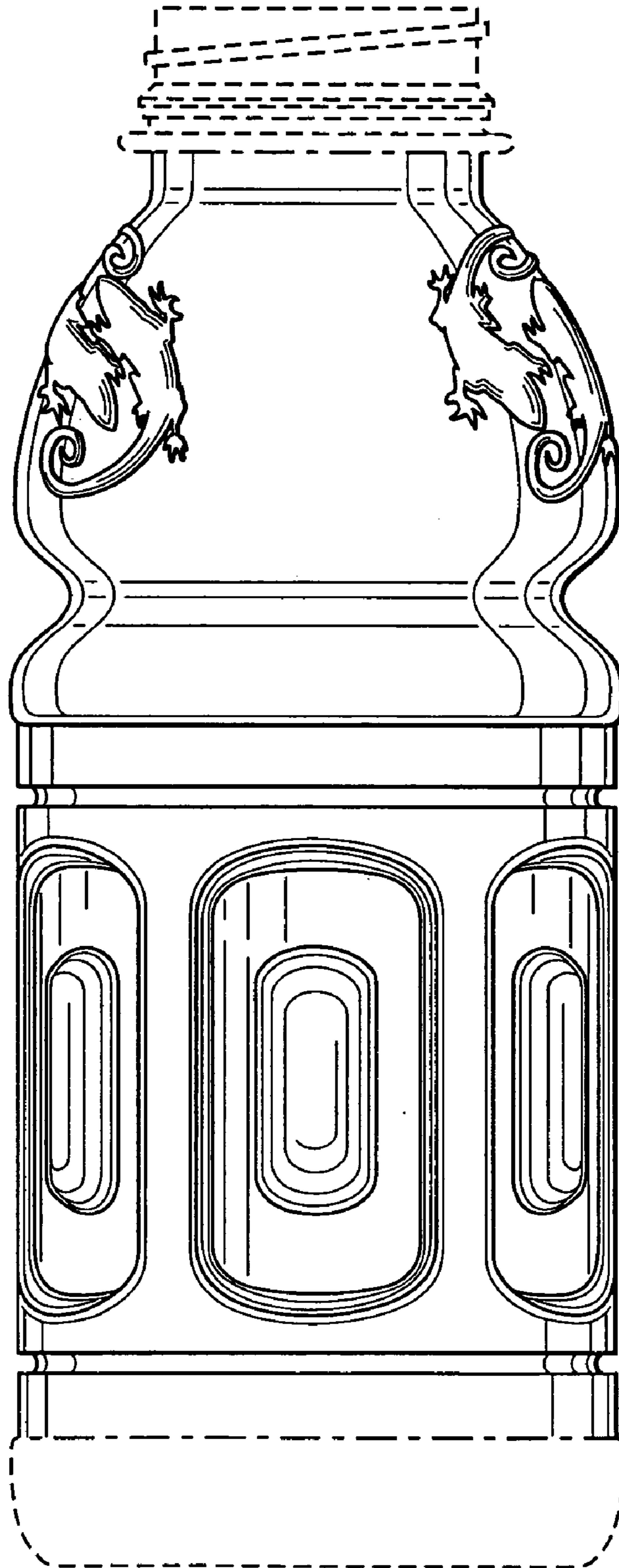


Fig. 9

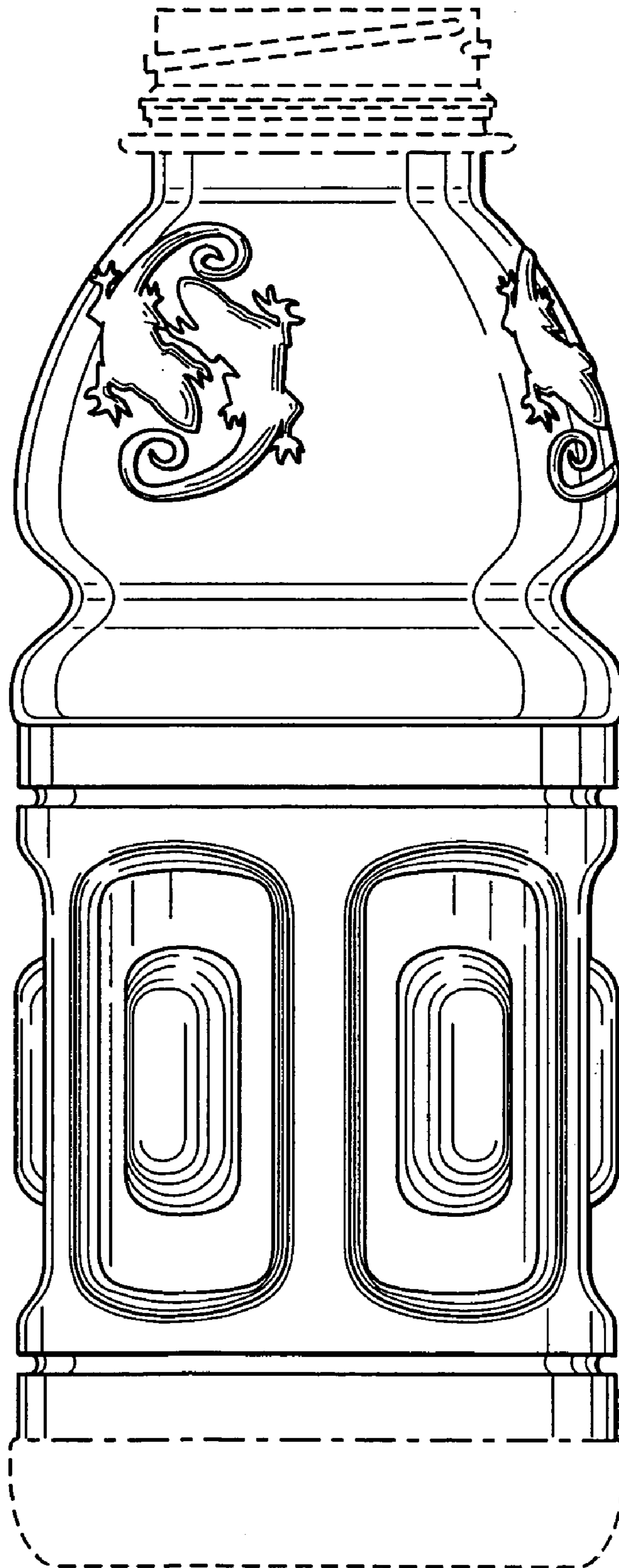


Fig. 10

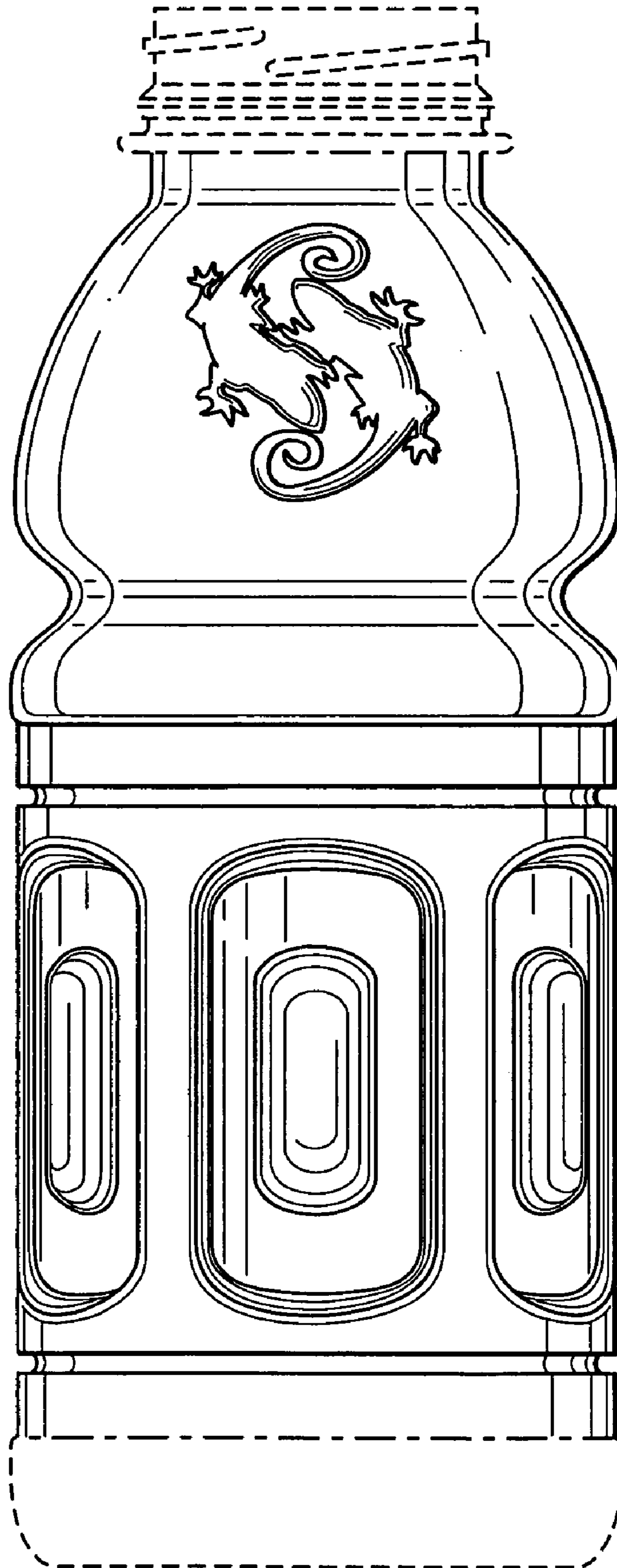


Fig. 11

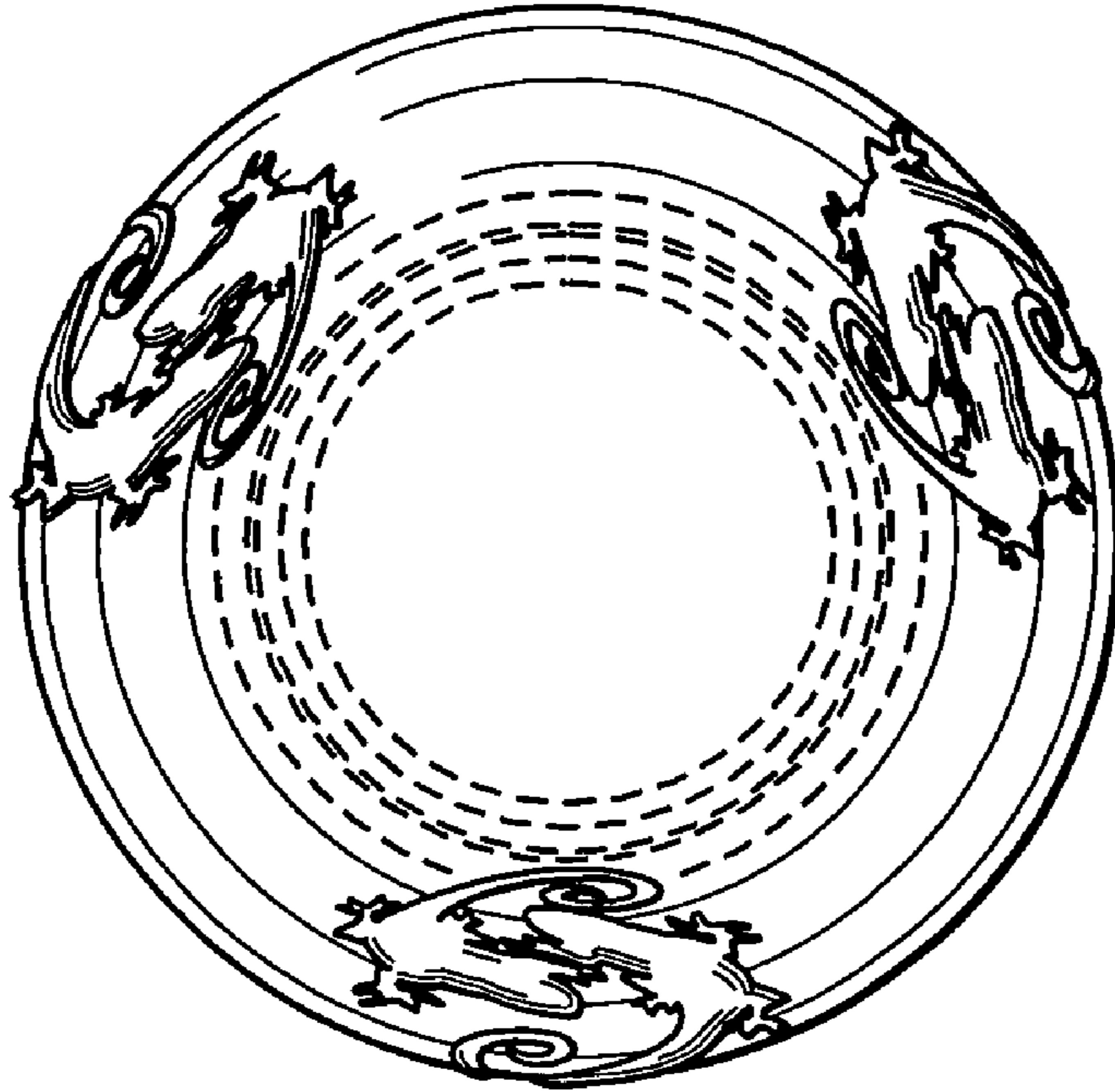


Fig. 12

