

US00D548101S

(12) **United States Design Patent**
Elgebrant

(10) **Patent No.:** **US D548,101 S**

(45) **Date of Patent:** **** Aug. 7, 2007**

(54) **PACKAGING**

(75) Inventor: **Johan Elgebrant**, Helsingborg (SE)

(73) Assignee: **Tetra Laval Holdings & Finance S.A.**,
Pully (CH)

(**) Term: **14 Years**

(21) Appl. No.: **29/258,971**

(22) Filed: **Apr. 28, 2006**

Related U.S. Application Data

(62) Division of application No. 29/193,251, filed on Nov. 7,
2003.

(30) **Foreign Application Priority Data**

May 9, 2003 (SE) 03-0531

(51) **LOC (8) Cl.** **09-01**

(52) **U.S. Cl.** **D9/560**

(58) **Field of Classification Search** D9/417,
D9/430-431, 433, 510, 512, 514, 516-517,
D9/547, 560, 563-564, 568, 571-574, 452-453;
215/379, 381-385, 393, 395; 220/677, 678
See application file for complete search history.

(56) **References Cited**

U.S. PATENT DOCUMENTS

D103,049 S	2/1937	Higgins	
D153,956 S *	5/1949	Lay	D9/453
3,848,760 A	11/1974	Rausing	
3,935,968 A	2/1976	Rausing	
4,014,724 A	3/1977	Rausing	
4,126,238 A	11/1978	Rausing	
4,281,769 A	8/1981	Ignell	
4,400,862 A	8/1983	Ignell	
4,512,832 A	4/1985	Rausing	
4,526,314 A	7/1985	Reil	
D284,837 S	7/1986	Nilsson	
4,604,850 A	8/1986	Reil	
4,606,954 A	8/1986	Rausing et al.	
D304,424 S *	11/1989	Dawson	D9/453
D333,785 S	3/1993	Ohlsson et al.	

D357,179 S	4/1995	Nedstedt	
5,531,375 A	7/1996	Palm	
5,537,803 A	7/1996	Olsen	
D382,488 S	8/1997	Ja	
5,704,541 A	1/1998	Mogard	
D407,978 S *	4/1999	Petro	D9/453
6,048,295 A	4/2000	Olsen	
D427,068 S *	6/2000	Hierzer et al.	D9/436
D444,387 S *	7/2001	Adachi et al.	D9/529
6,256,964 B1	7/2001	Drevfors	
D447,940 S	9/2001	Quensel et al.	
D447,947 S	9/2001	Nakagawa	
D448,285 S	9/2001	Palm et al.	
D448,286 S	9/2001	Quensel et al.	

(Continued)

Primary Examiner—Ian Simmons

Assistant Examiner—Dana Sipos

(74) *Attorney, Agent, or Firm*—Buchanan Ingersoll &
Rooney PC

(57) **CLAIM**

The ornamental design for a packaging, as shown and
described.

DESCRIPTION

FIG. 1 is a top, front perspective view of a packaging
showing my new design.

FIG. 2 is a front elevational view thereof.

FIG. 3 is a right side elevational view thereof.

FIG. 4 is a left side elevational view thereof.

FIG. 5 is a rear elevational view thereof.

FIG. 6 is a bottom plan view thereof.

FIG. 7 is a top plan view thereof.

FIG. 8, is a top, front perspective view of the packaging of
FIG. 1 with the cap removed.

FIG. 9 is a front elevational view thereof.

FIG. 10 is a right side elevational view thereof.

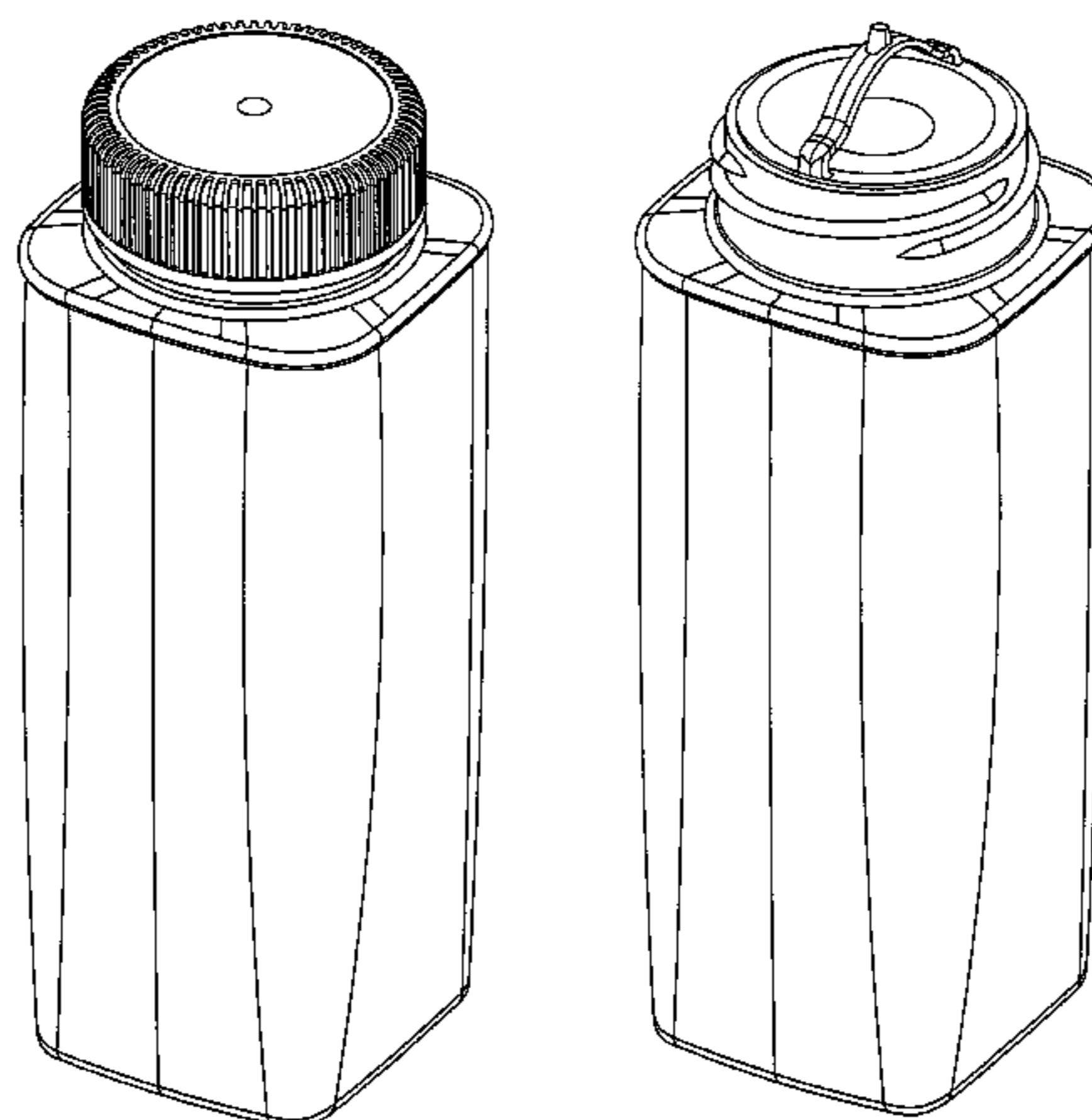
FIG. 11 is a left side elevational view thereof.

FIG. 12 is a rear elevational view thereof.

FIG. 13 is a bottom plan view thereof; and,

FIG. 14 is a top plan view thereof.

1 Claim, 12 Drawing Sheets



US D548,101 S

Page 2

U.S. PATENT DOCUMENTS

6,399,014 B1	6/2002	Hermodsson	
D460,357 S *	7/2002	Kras et al.	D9/435
D469,684 S *	2/2003	Lerolle	D9/682
D475,929 S	6/2003	Bakic	
D481,314 S *	10/2003	Noonan	D9/438
D481,640 S	11/2003	Biesecker	
D485,183 S *	1/2004	Lerolle	D9/503
D498,421 S *	11/2004	Kostow	D9/529
D498,423 S	11/2004	Kostow	
D510,523 S *	10/2005	Pitman et al.	D9/452
D512,641 S	12/2005	Anderson et al.	
D516,911 S *	3/2006	Bloom et al.	D9/453

* cited by examiner

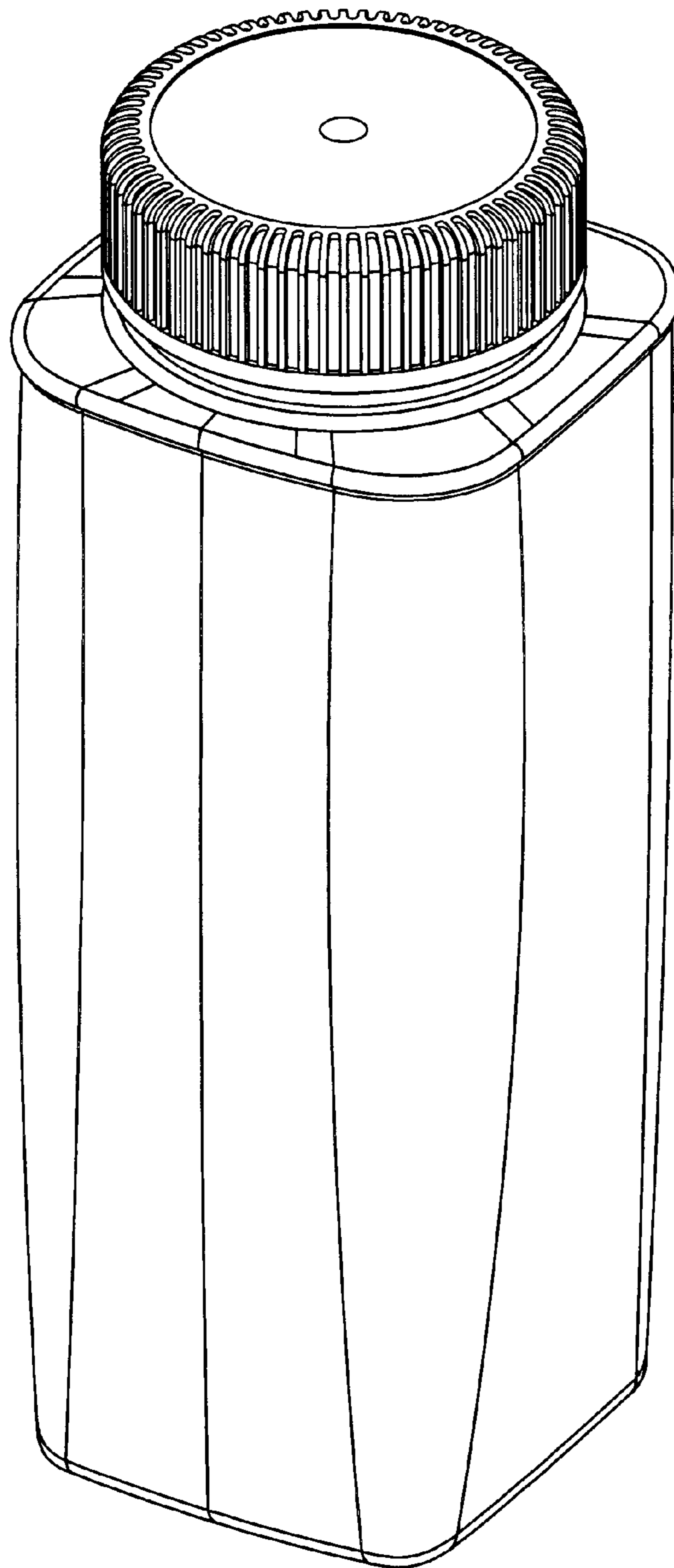


FIG. 1

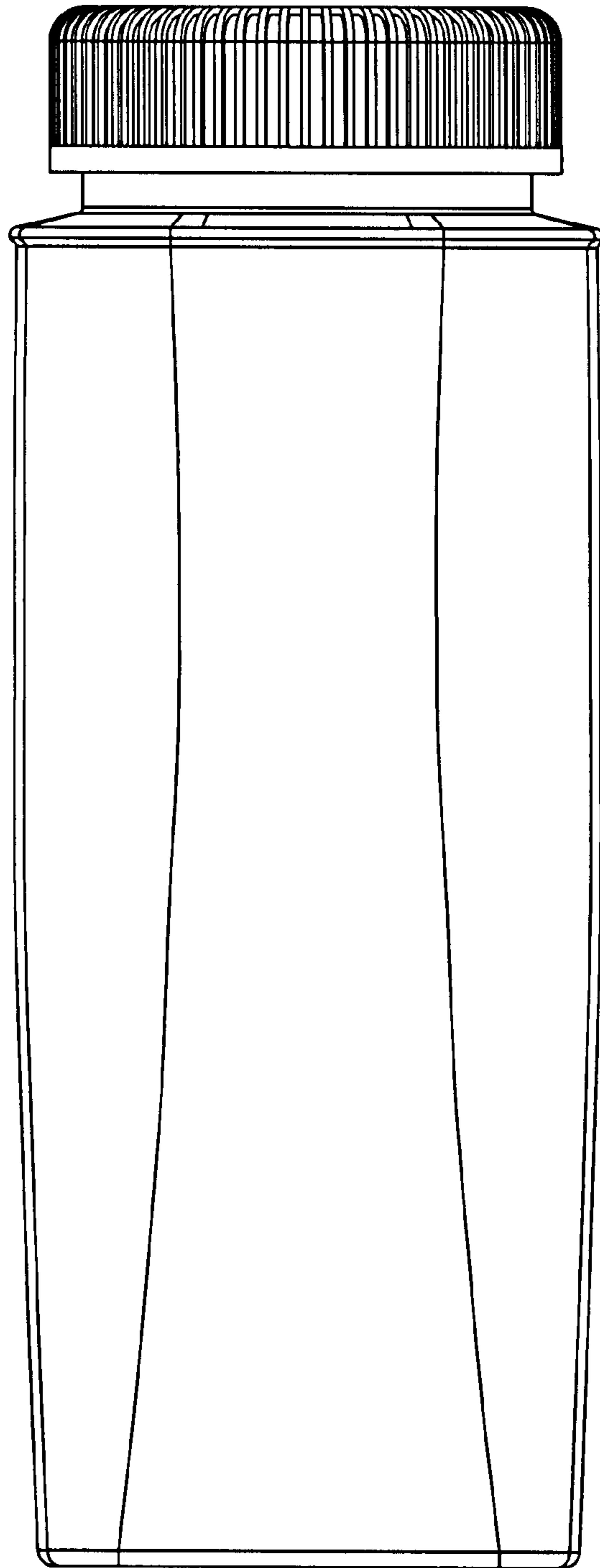


FIG. 2

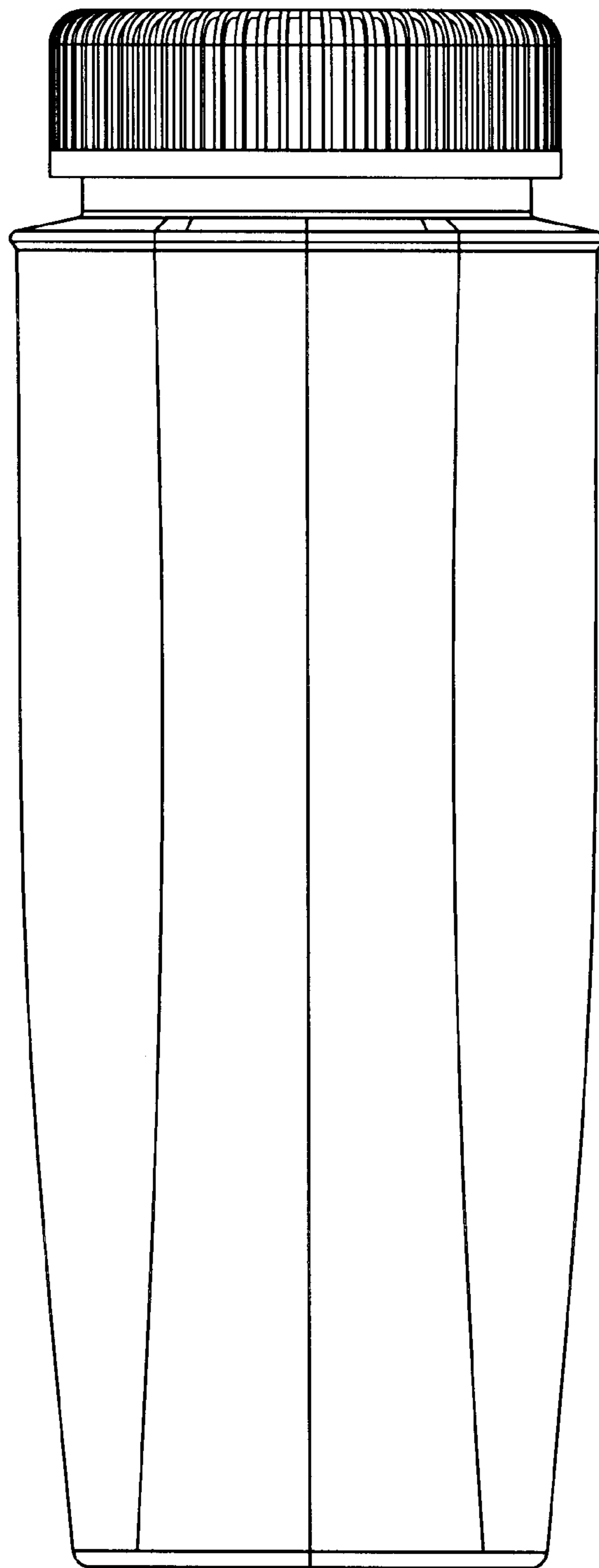


FIG. 3

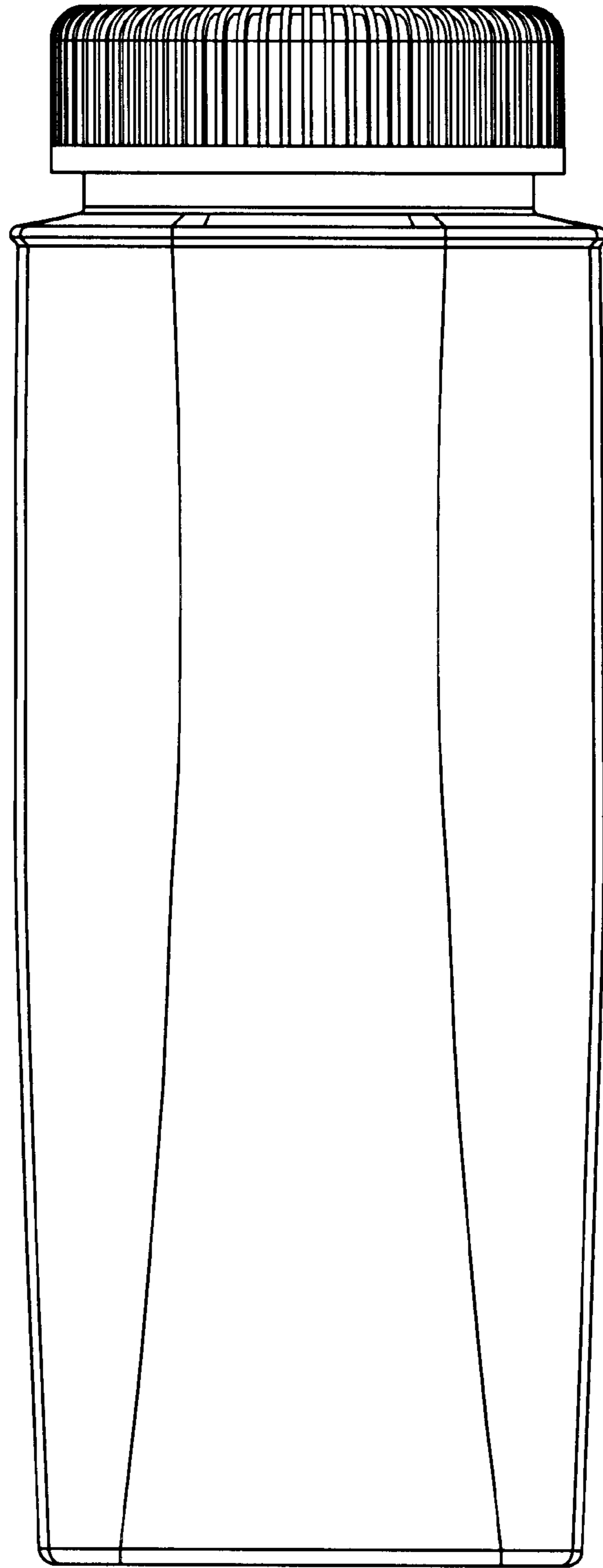


FIG. 4

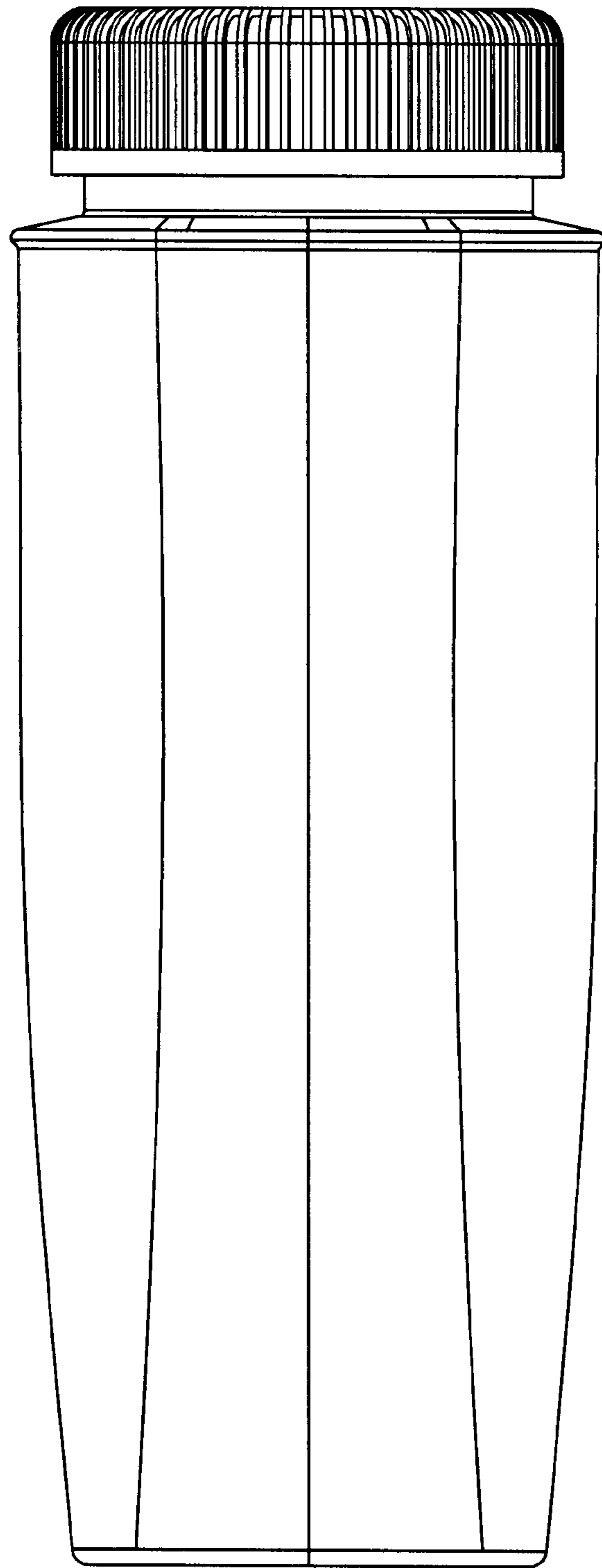


FIG. 5

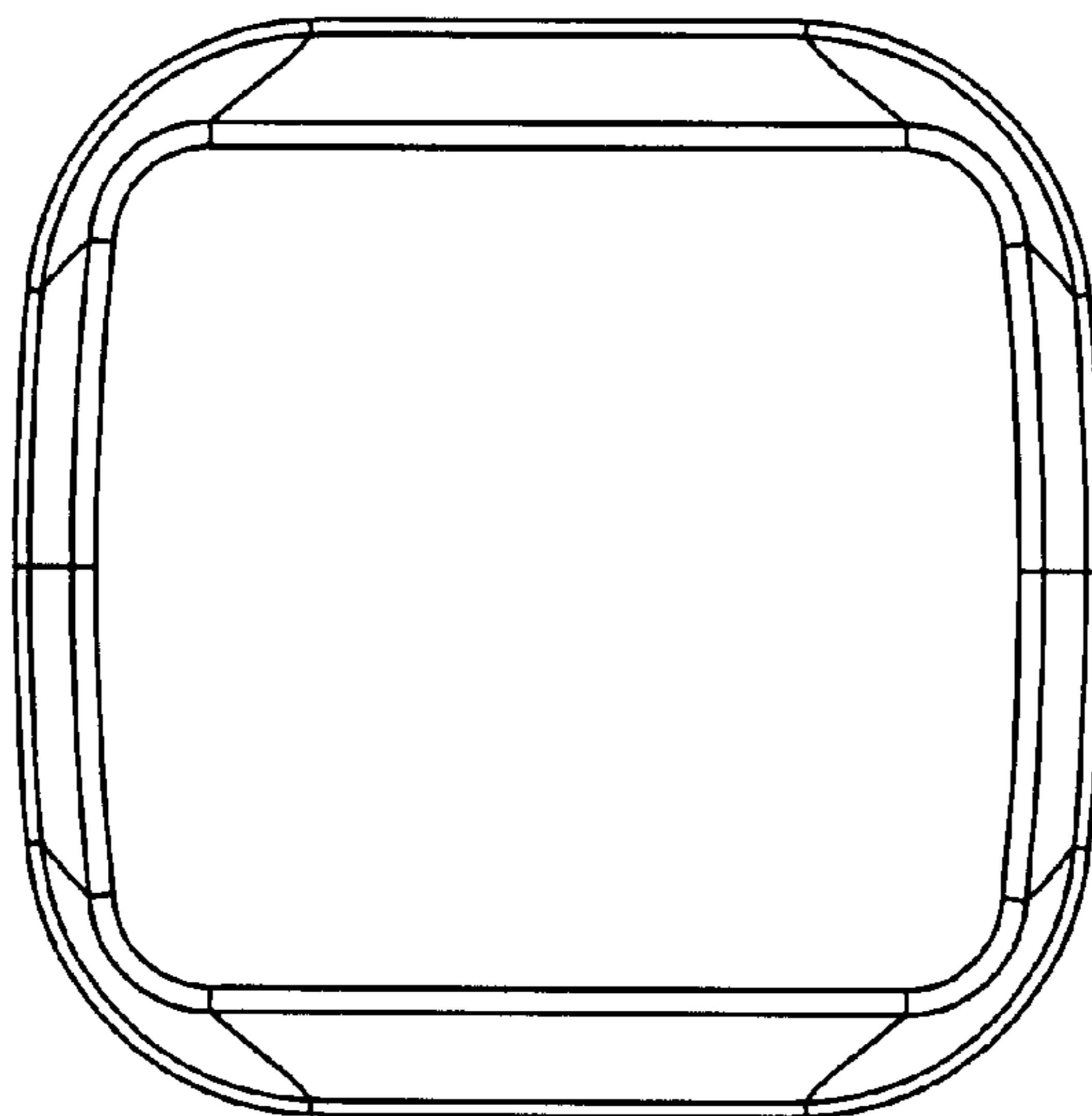


FIG. 6

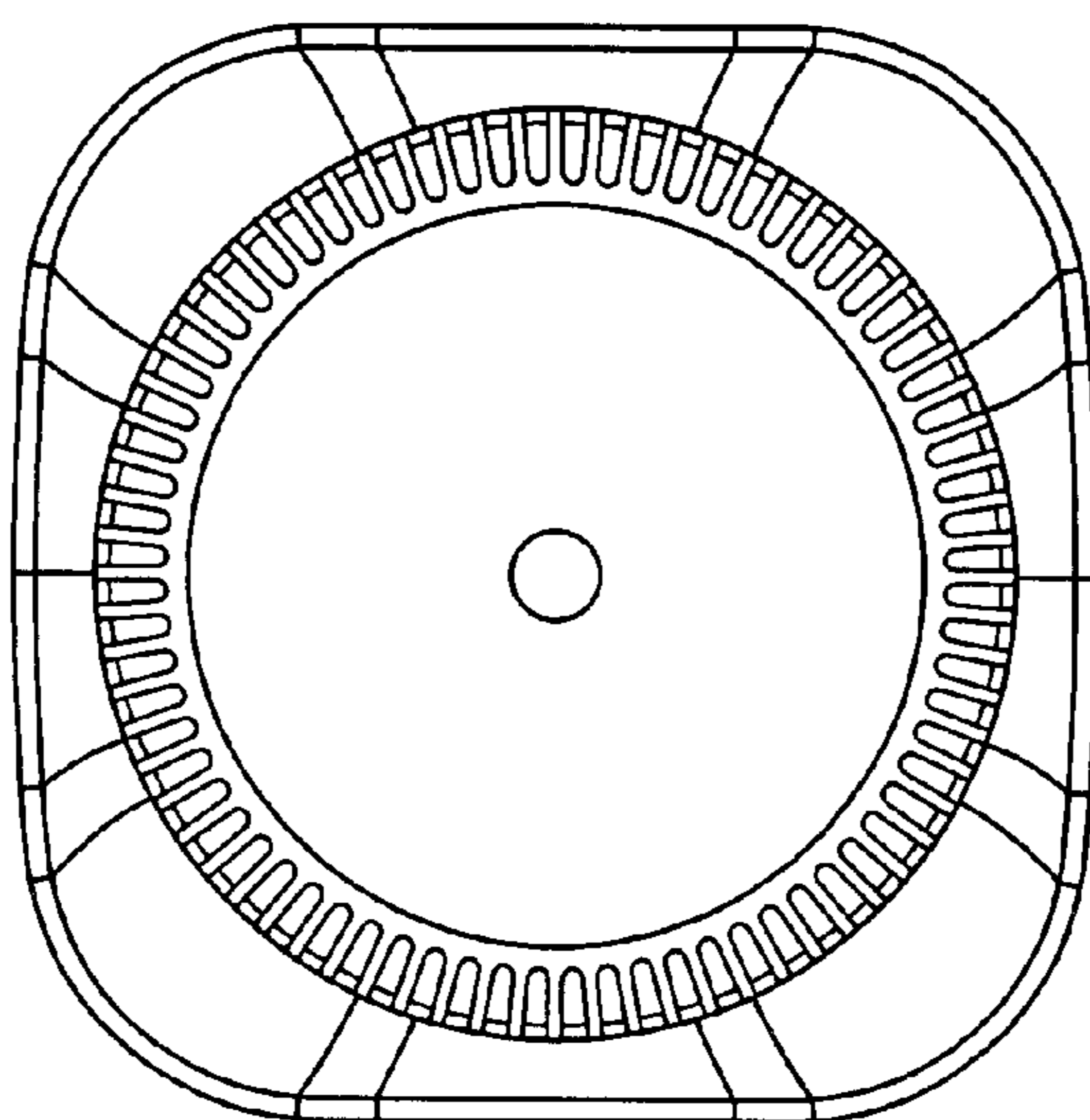


FIG. 7

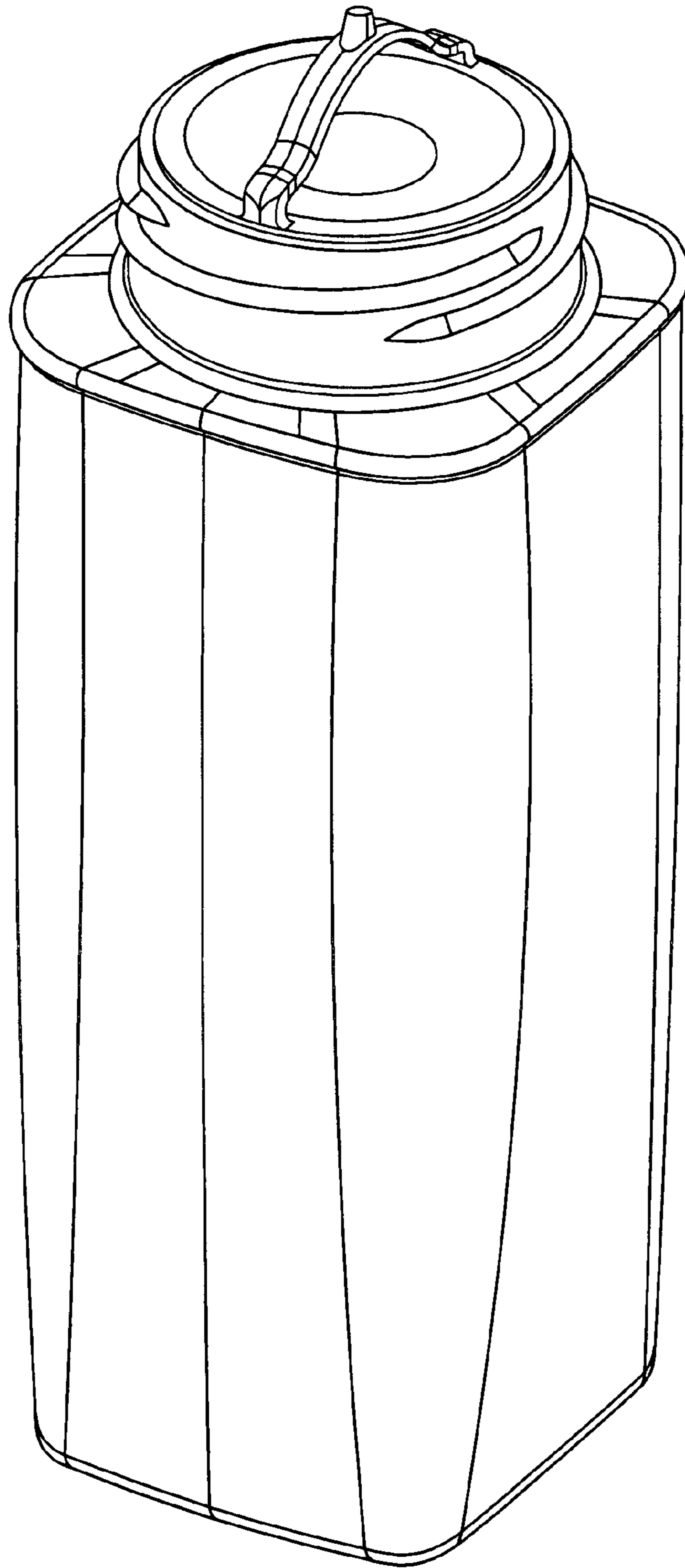


FIG. 8

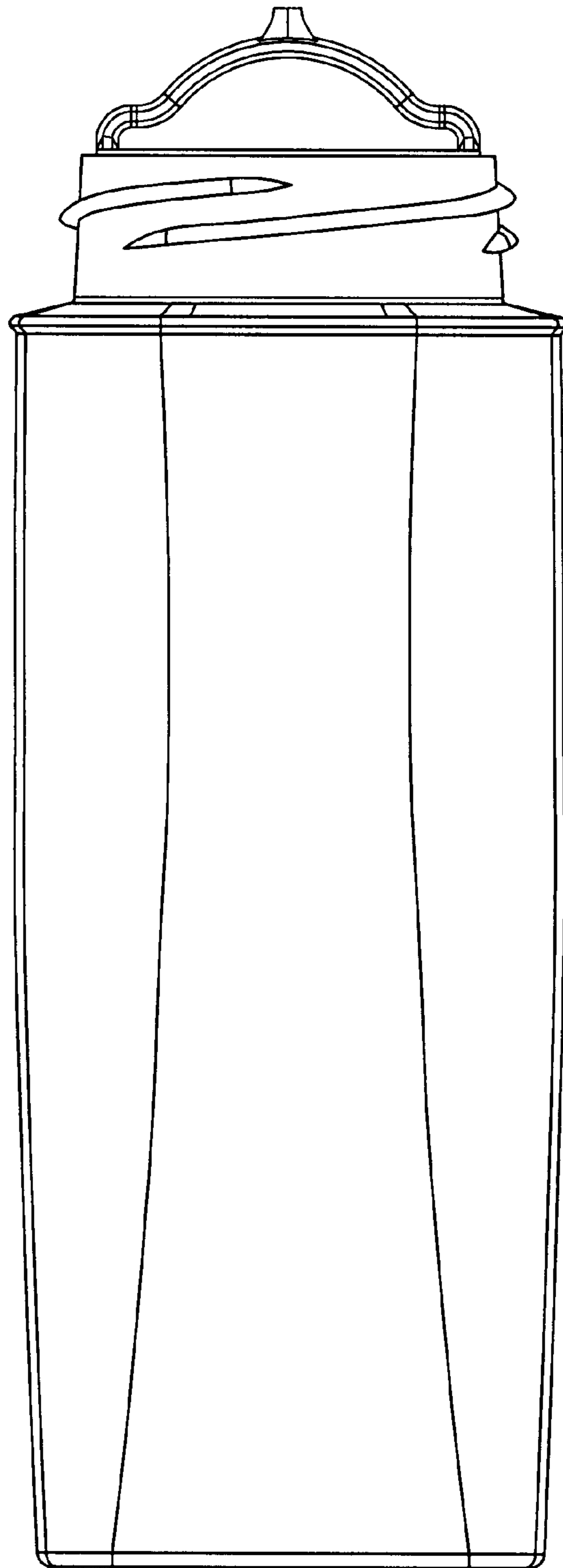


FIG. 9

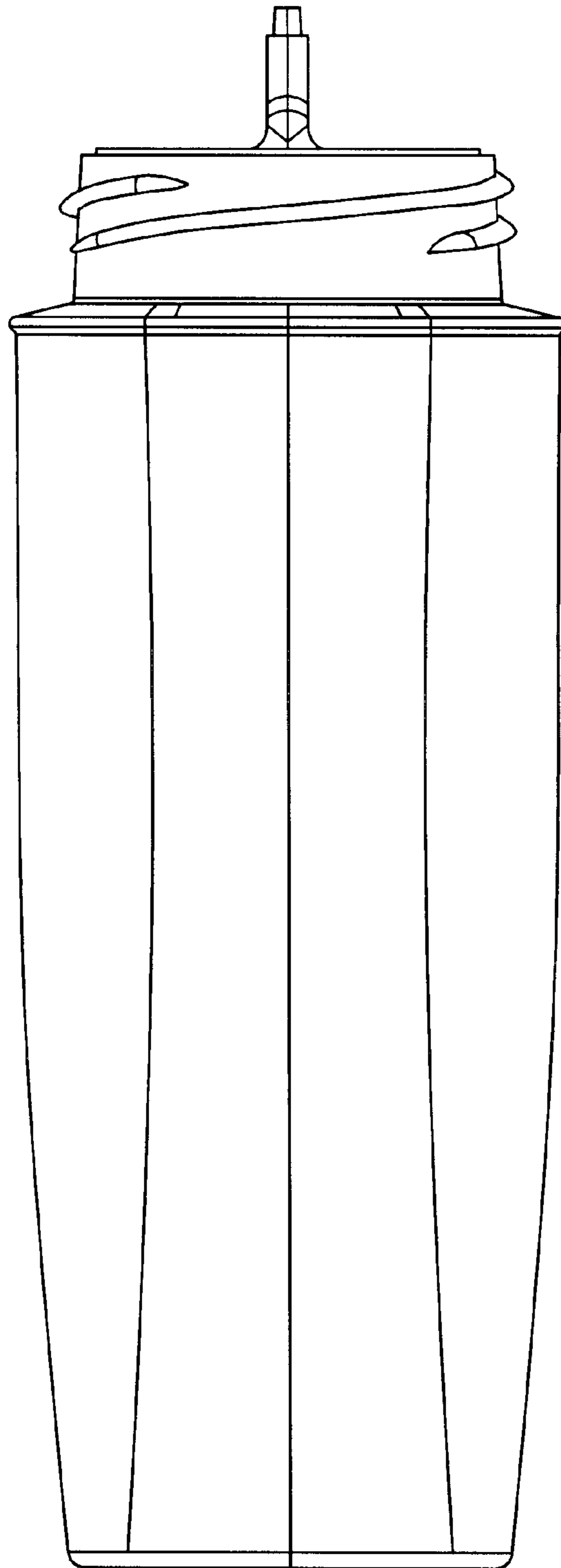


FIG. 10

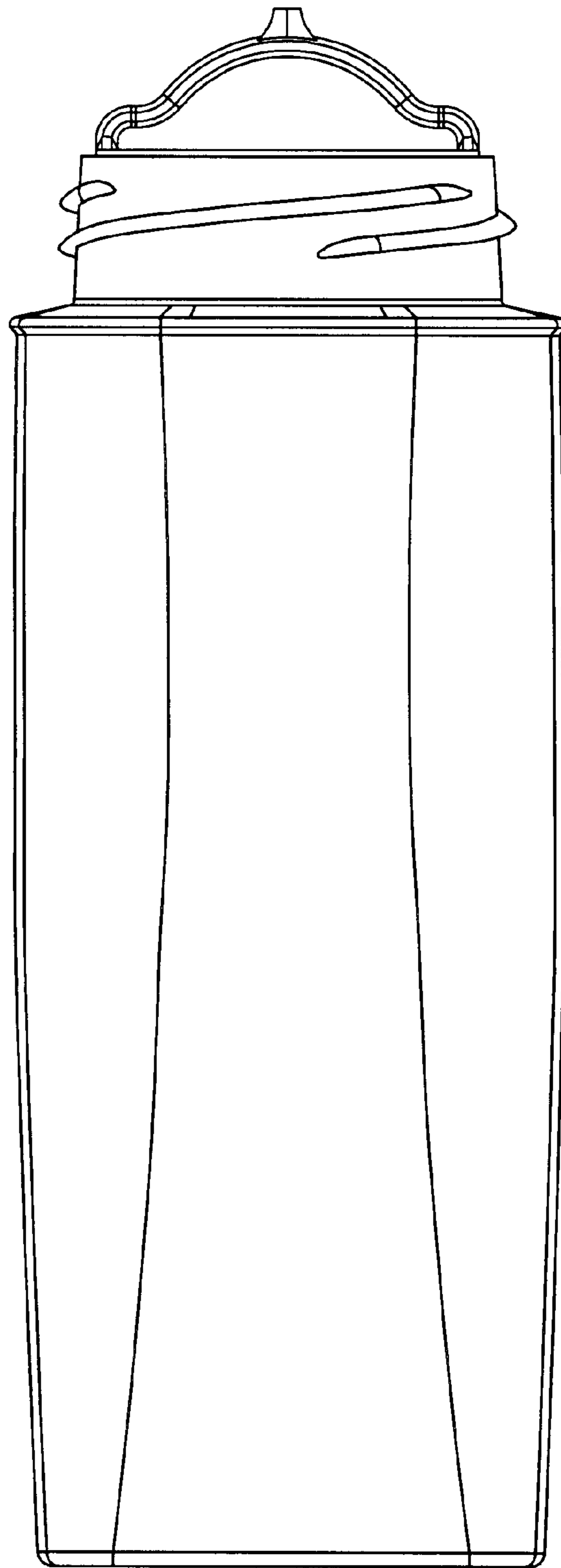


FIG. 11

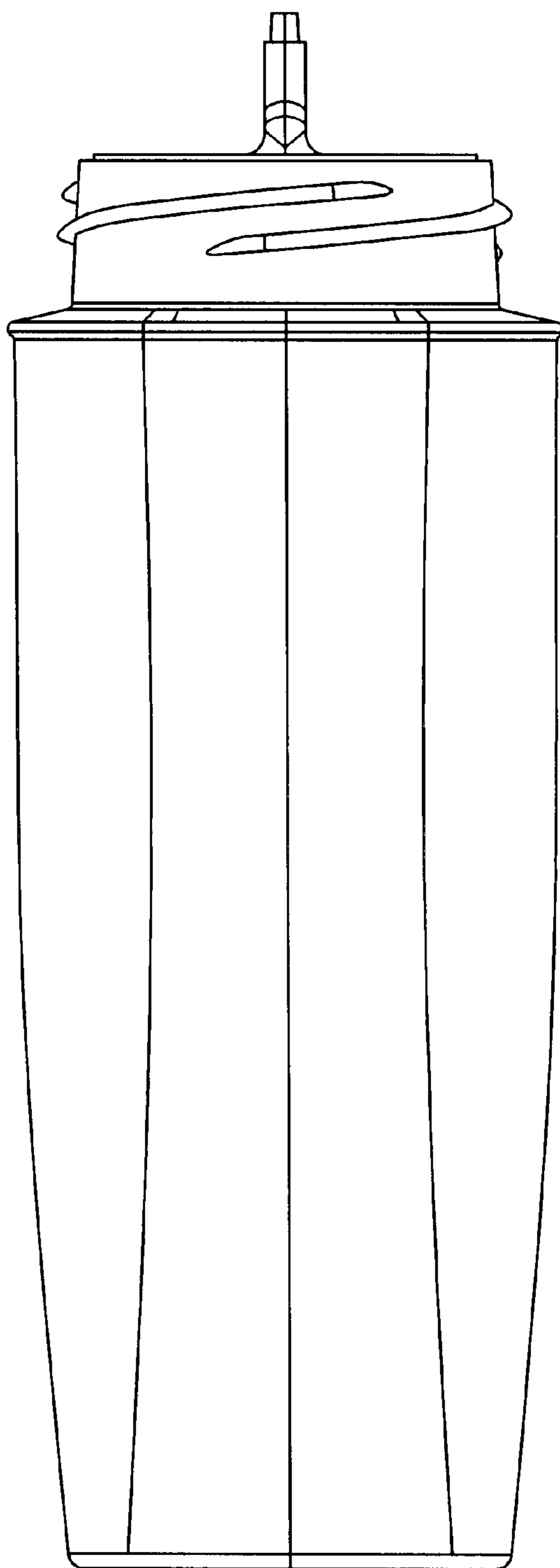


FIG. 12

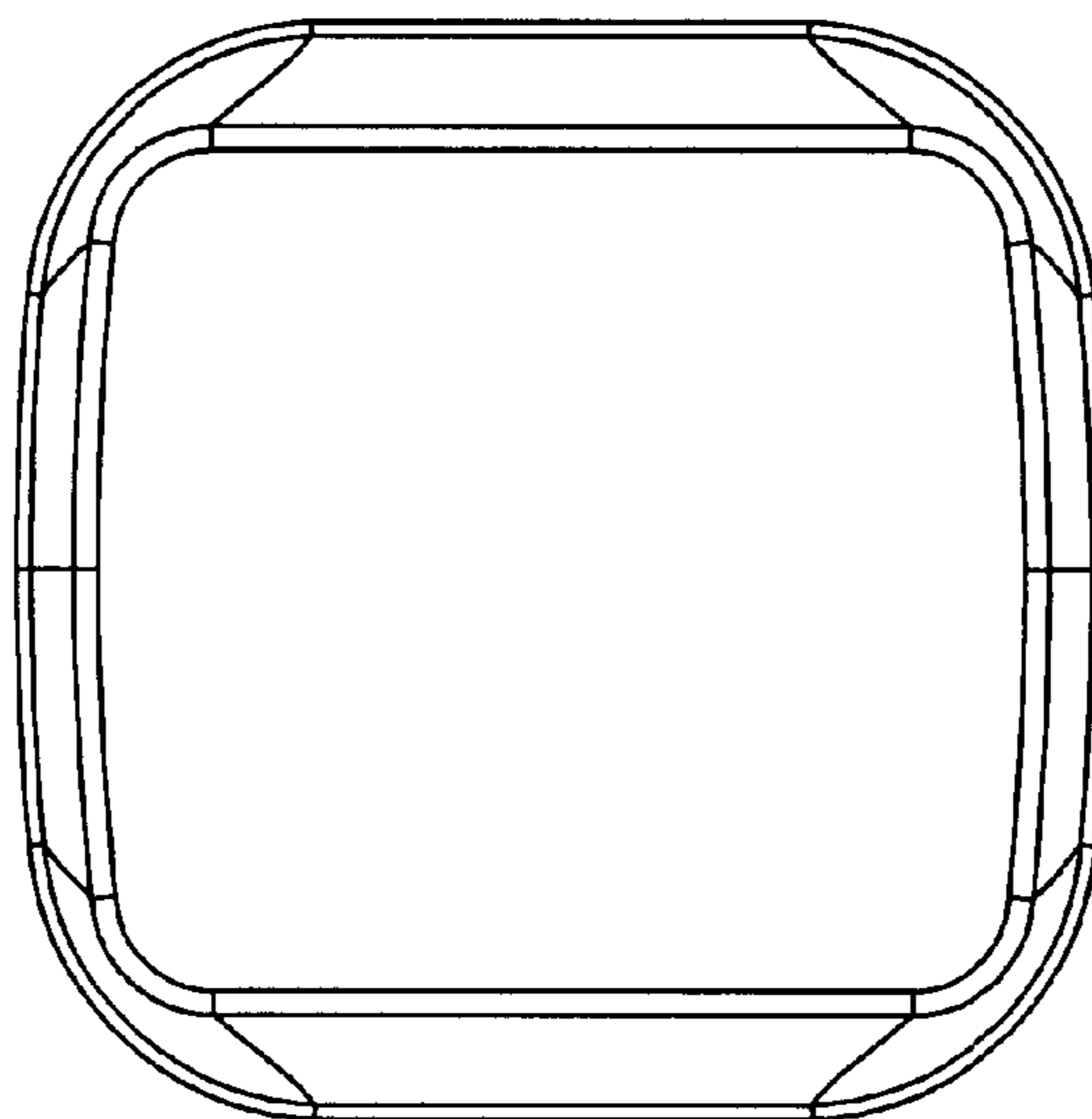


FIG. 13

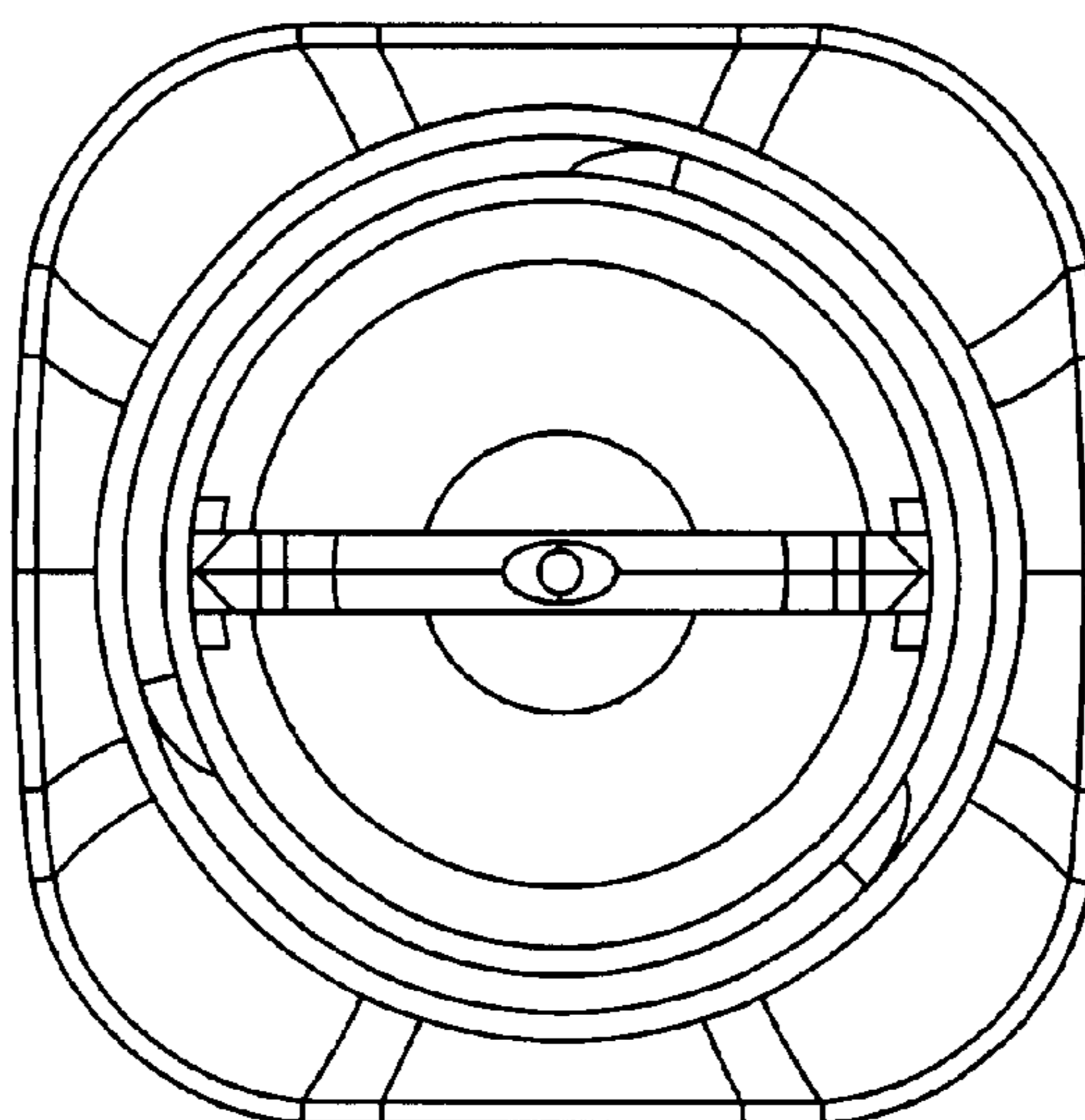


FIG. 14