

US00D548092S

(12) **United States Design Patent**
Klemm

(10) **Patent No.:** **US D548,092 S**

(45) **Date of Patent:** **** Aug. 7, 2007**

(54) **BOTTLE**

(75) **Inventor:** **Jason T. Klemm**, Mableton, GA (US)

(73) **Assignee:** **The Coca-Cola Company**, Atlanta, GA (US)

(**) **Term:** **14 Years**

(21) **Appl. No.:** **29/226,653**

(22) **Filed:** **Mar. 31, 2005**

(51) **LOC (8) Cl.** **09-01**

(52) **U.S. Cl.** **D9/520; D9/560; D9/569; D9/571**

(58) **Field of Classification Search** D9/500, D9/502-503, 516, 520, 530, 537-546, 549, D9/553, 555-556, 558, 566, 568-569, 571; 215/379, 381-384; 220/660, 662, 669-671, 220/675

See application file for complete search history.

- D422,915 S * 4/2000 Hestehave et al. D9/500
- D425,793 S * 5/2000 Walker D9/503
- D456,272 S * 4/2002 Sadeghi et al. D9/560
- D457,437 S * 5/2002 Sadeghi et al. D9/530
- D458,145 S * 6/2002 Sadeghi et al. D9/556
- D458,146 S * 6/2002 Sadeghi et al. D9/560
- D458,147 S * 6/2002 Sadeghi et al. D9/568
- D458,148 S * 6/2002 Sadeghi et al. D9/568
- D460,695 S * 7/2002 Sadeghi et al. D9/530
- D463,287 S * 9/2002 Moore et al. D9/549
- D480,315 S * 10/2003 Sadeghi et al. D9/538
- D488,060 S * 4/2004 Yourist D9/658
- D525,141 S * 7/2006 Beard et al. D9/646
- D526,905 S * 8/2006 Beard et al. D9/646

* cited by examiner

Primary Examiner—Ian Simmons

Assistant Examiner—Dana Sipos

(74) *Attorney, Agent, or Firm*—Cheryl J. Tubach

(57) **CLAIM**

I claim the ornamental design for a bottle, as shown.

(56) **References Cited**

U.S. PATENT DOCUMENTS

- D85,838 S * 12/1931 Noble D9/520
- D87,343 S * 7/1932 Hamilton
- D90,290 S * 7/1933 McDonald D9/568
- D97,748 S * 12/1935 Steelman D9/562
- D110,504 S * 7/1938 Steuer D9/542
- D236,429 S * 8/1975 Strand D9/501
- D236,587 S * 9/1975 Kretz D9/541
- D362,182 S * 9/1995 Hestehave et al. D9/434
- D403,245 S * 12/1998 Martin D9/556
- D403,969 S * 1/1999 Rosler D9/556

DESCRIPTION

FIG. 1 is a bottom, front perspective view of a bottle showing my new design. It is understood that the bottle is transparent, however, the opposing side has not been shown for ease of illustration;

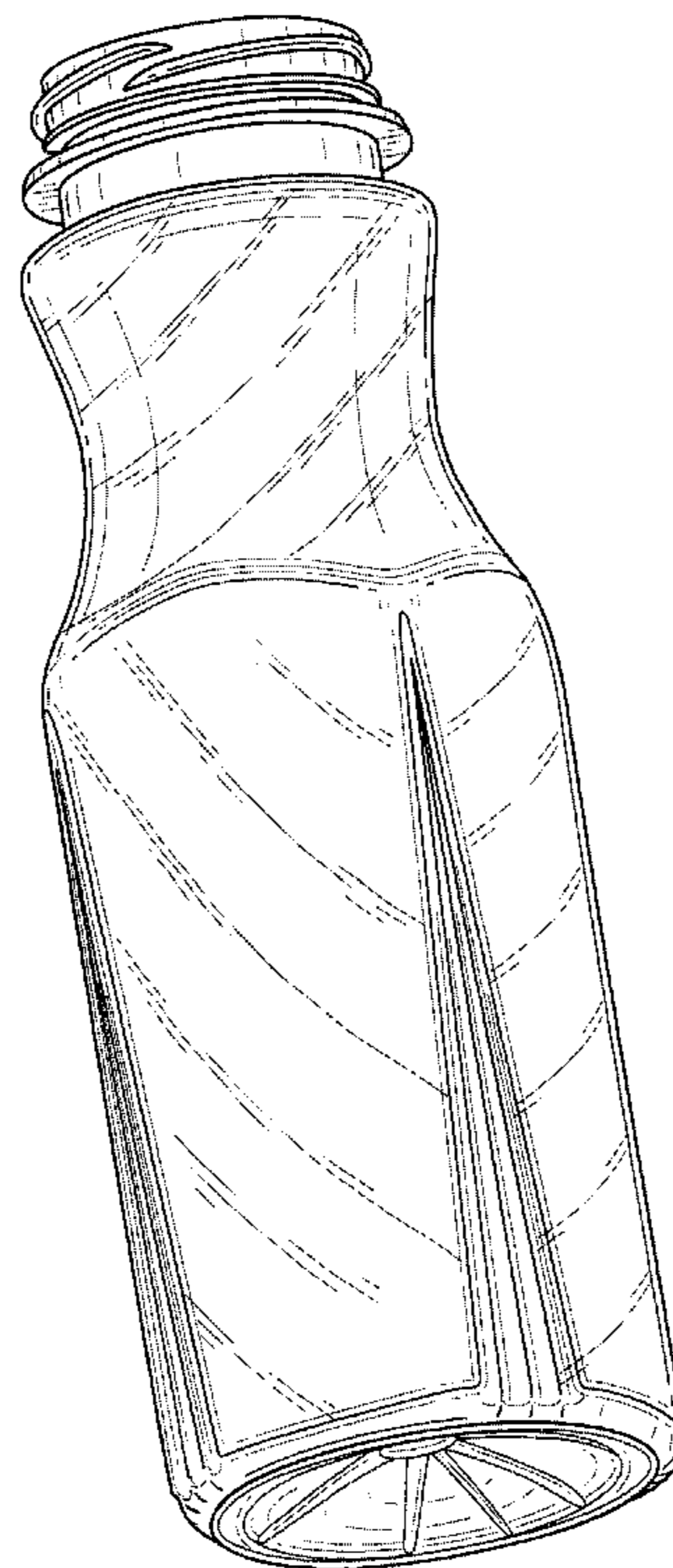
FIG. 2 is a front elevational view thereof;

FIG. 3 is a side elevational view thereof;

FIG. 4 is a bottom plan view thereof; and,

FIG. 5 is a top plan view thereof.

1 Claim, 4 Drawing Sheets



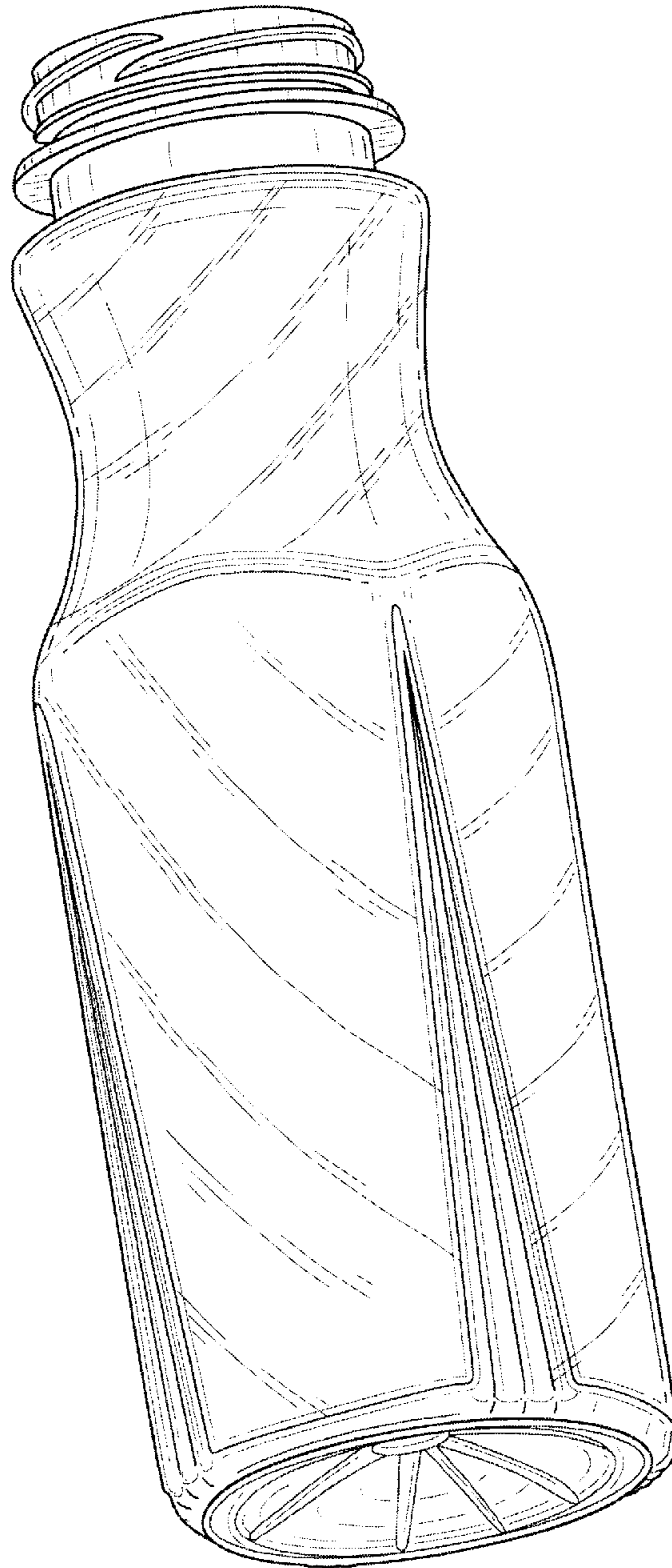


FIG. 1

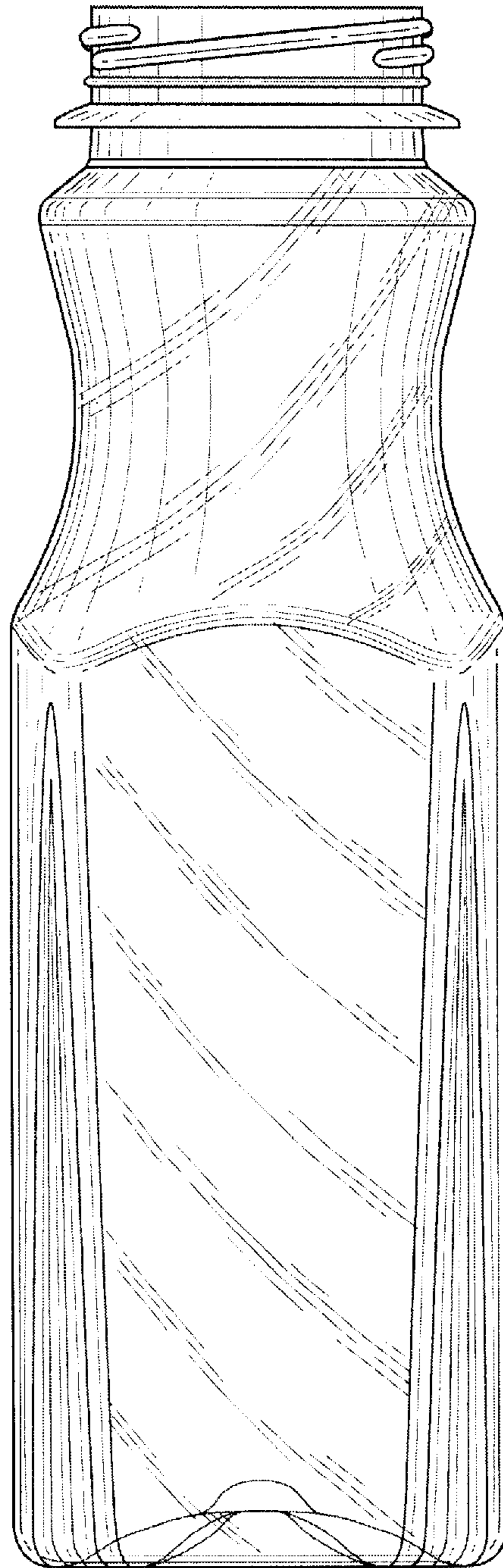


FIG. 2

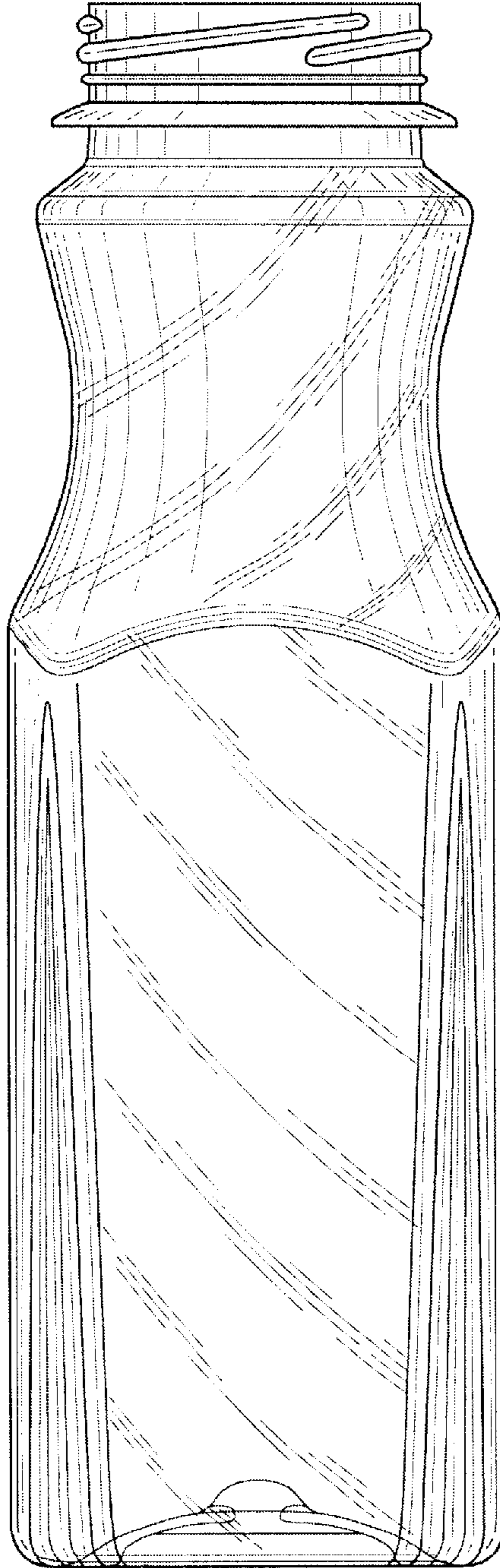


FIG. 3

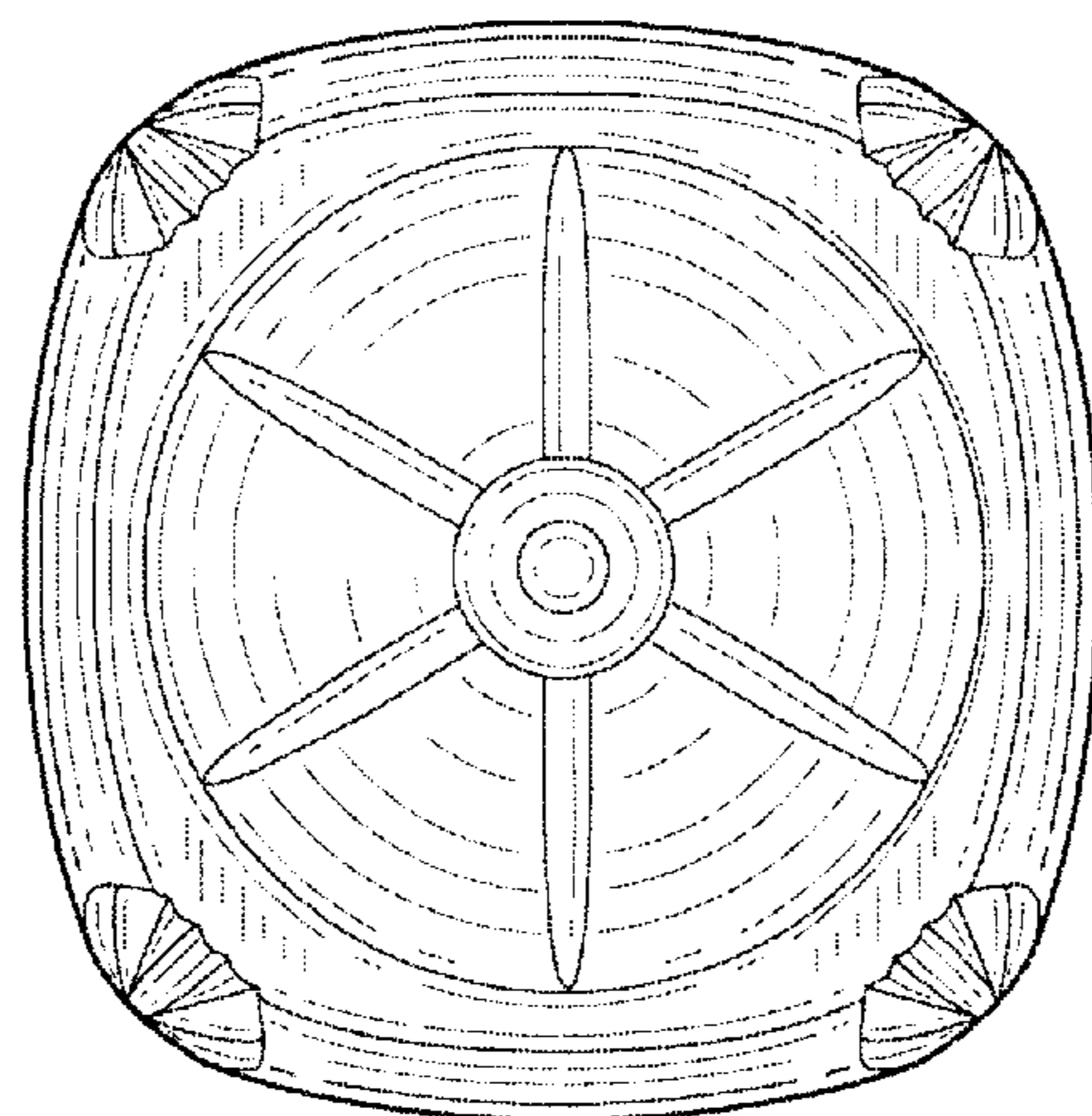


FIG. 4

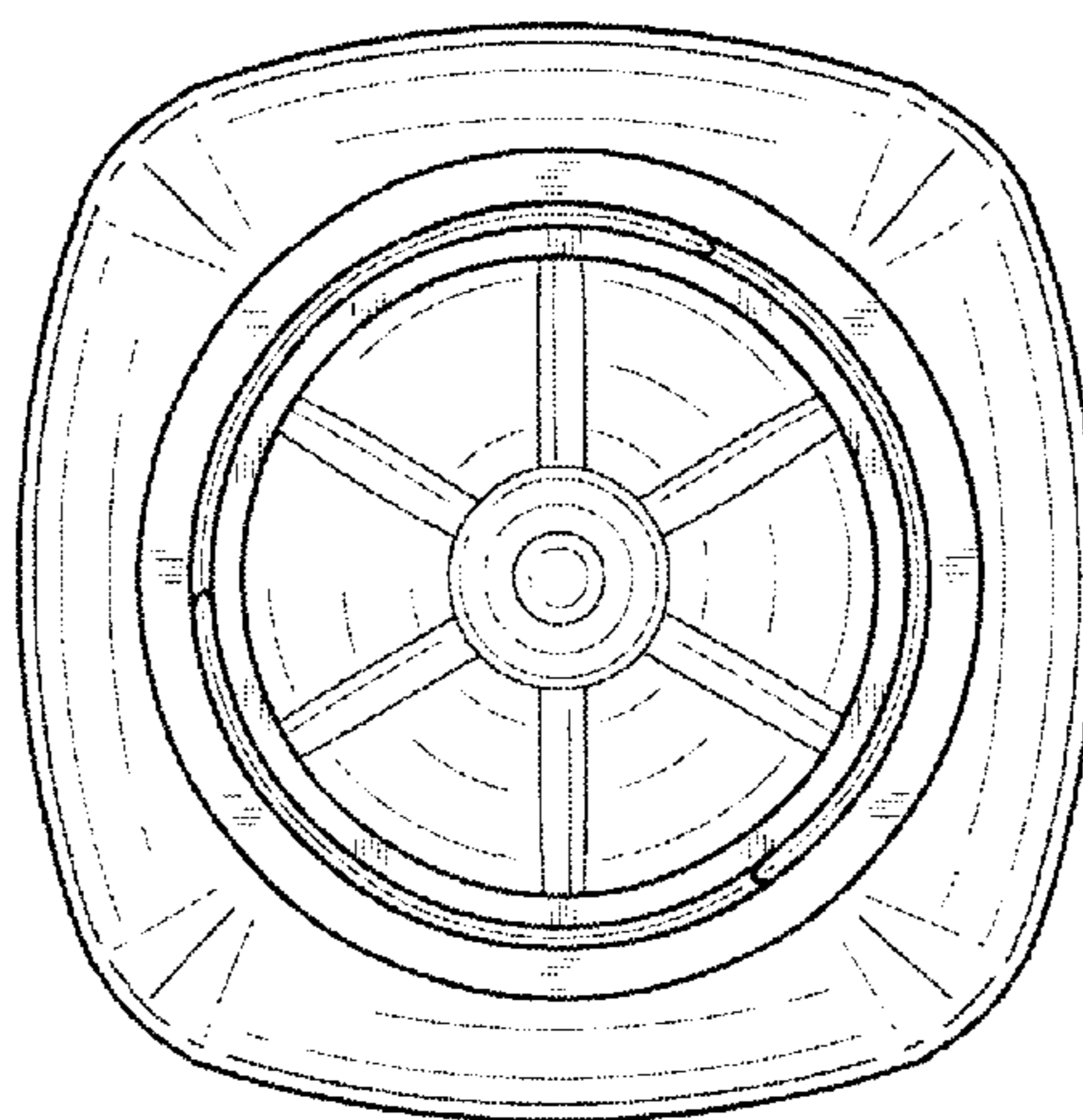


FIG. 5