

US00D548081S

(12) **United States Design Patent**
Noonan

(10) **Patent No.:** **US D548,081 S**

(45) **Date of Patent:** **** Aug. 7, 2007**

(54) **CLOSURE**

3,650,428 A * 3/1972 Miller 215/252
D524,158 S * 7/2006 Caserta et al. D9/447

(75) Inventor: **Michael Patrick Noonan**, Auckland (NZ)

* cited by examiner

(73) Assignee: **Alto Holdings Limited**, Auckland (NZ)

Primary Examiner—Robert M. Spear

Assistant Examiner—Susan Bennett Hattan

(**) Term: **14 Years**

(74) *Attorney, Agent, or Firm*—Jacobson Holman PLLC

(21) Appl. No.: **29/260,182**

(57) **CLAIM**

(22) Filed: **May 22, 2006**

I claim the ornamental design for a closure, as shown and described.

(30) **Foreign Application Priority Data**

DESCRIPTION

Nov. 22, 2005 (EM) 000437066-0001

FIG. 1 is a right side perspective view of a closure embodying my design;

(51) **LOC (8) Cl.** **09-07**

(52) **U.S. Cl.** **D9/453**

FIG. 2 is a left side perspective view of the closure as shown in FIG. 1;

(58) **Field of Classification Search** D9/686,
D9/503, 453, 452, 447, 445, 444, 724; D8/307;
D24/121, 114; D23/250; 220/905; 215/252,
215/228; D28/7; 222/546

FIG. 3 is a front elevational view of the closure as shown in FIG. 1;

See application file for complete search history.

FIG. 4 is a top plan view of the closure as shown in FIG. 1; and,

(56) **References Cited**

FIG. 5 is the left rear perspective view of the closure shown in FIG. 1.

U.S. PATENT DOCUMENTS

3,612,323 A * 10/1971 Malick 215/214

1 Claim, 5 Drawing Sheets

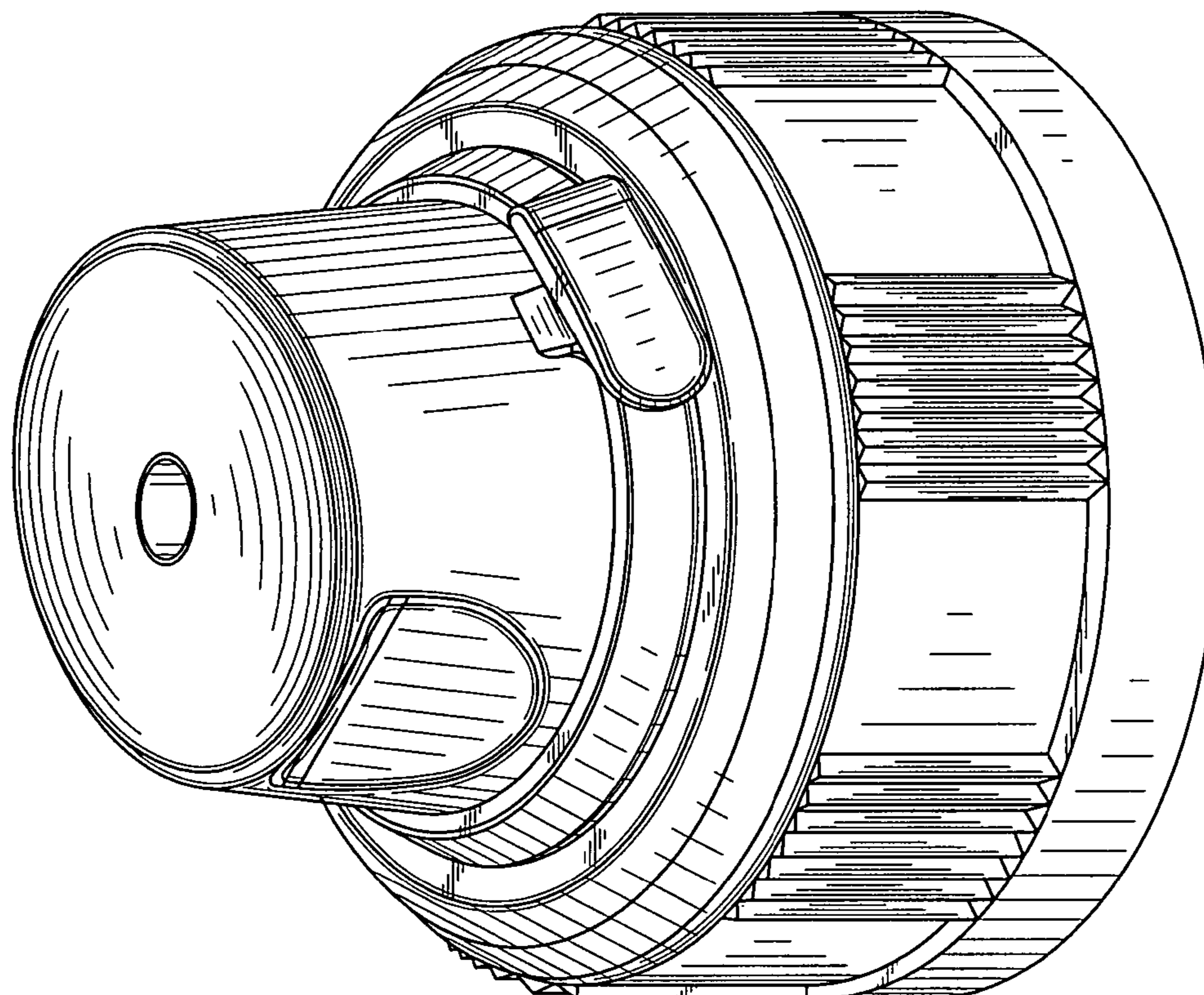


FIG. 1

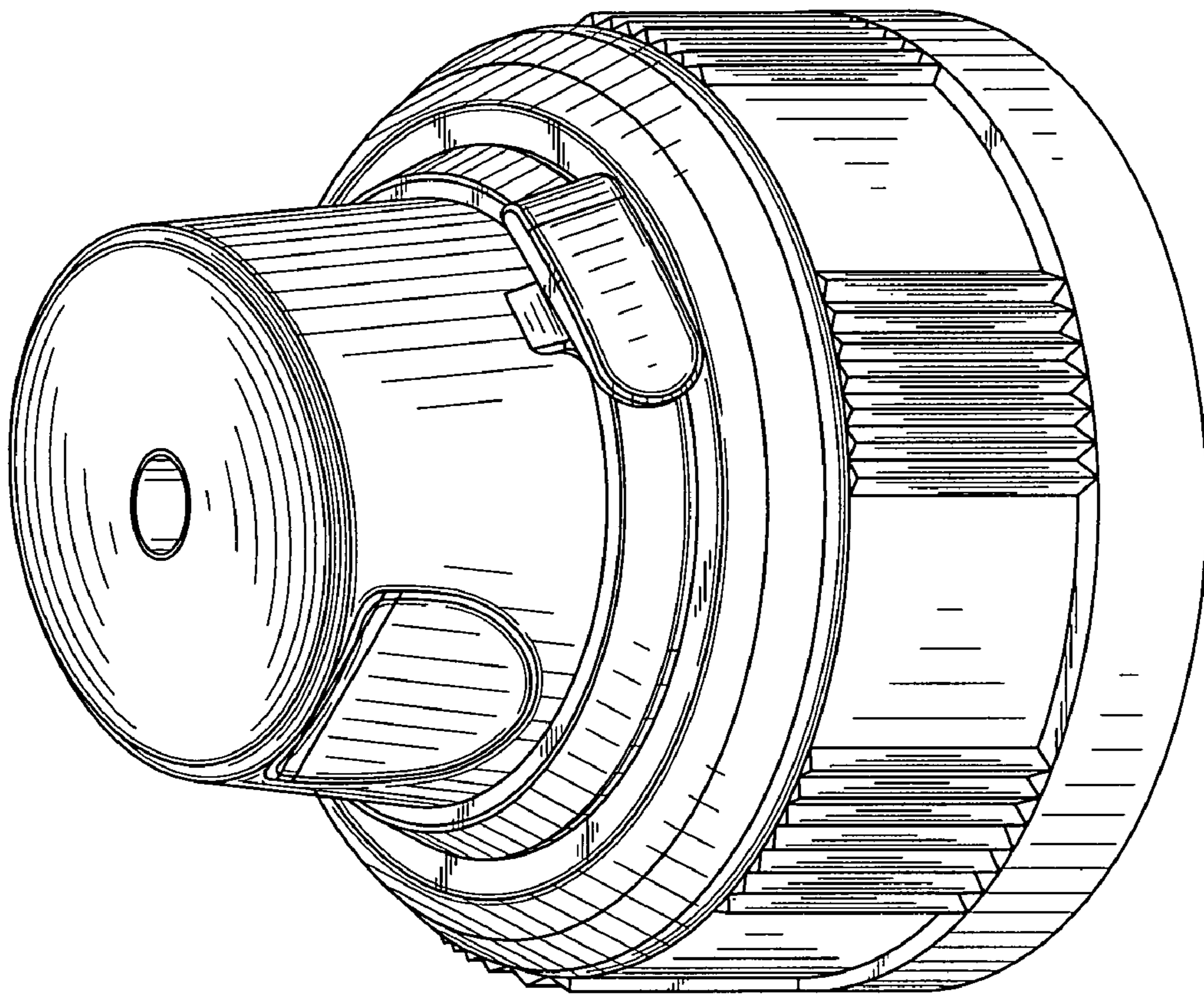


FIG. 2

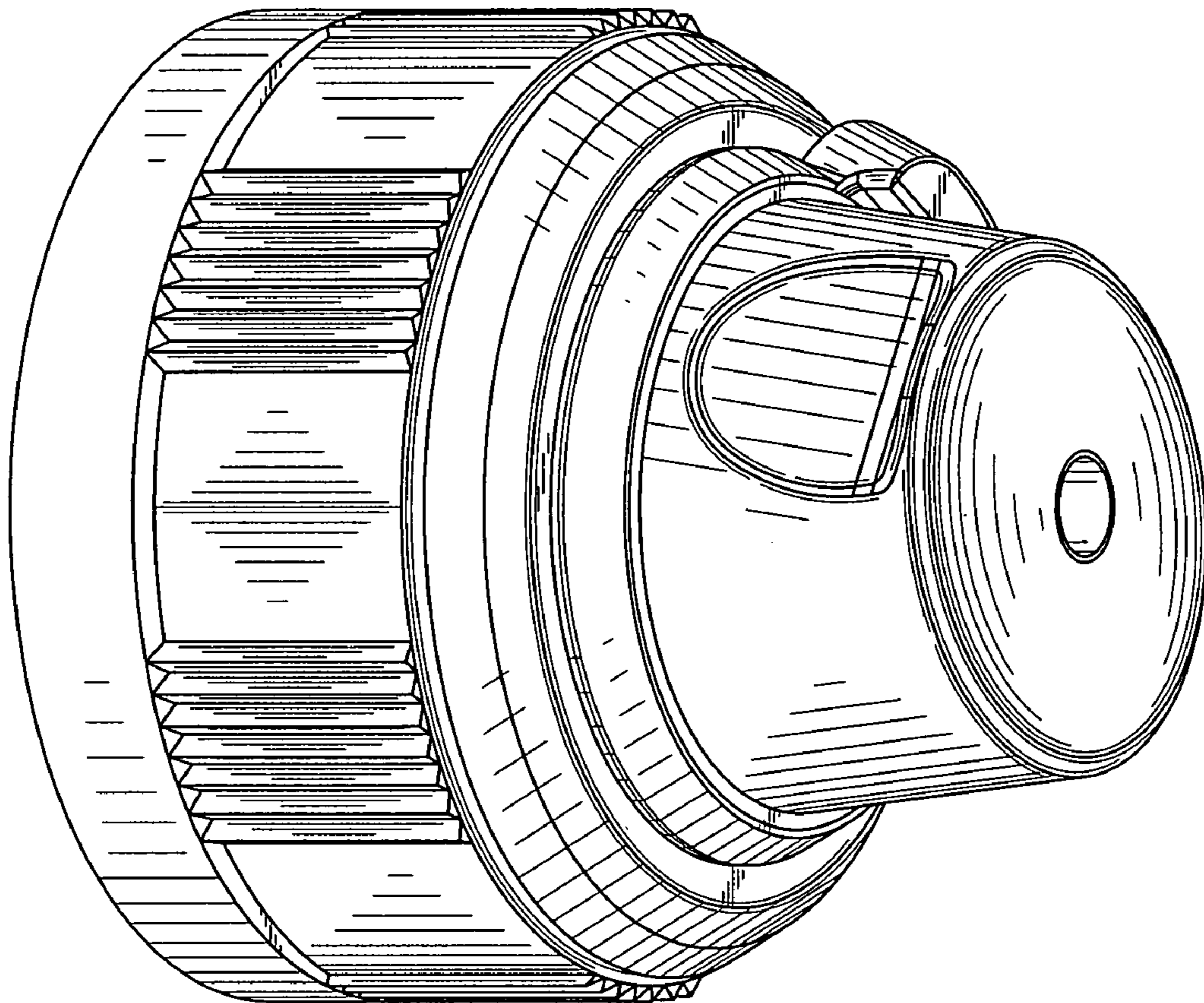


FIG. 3

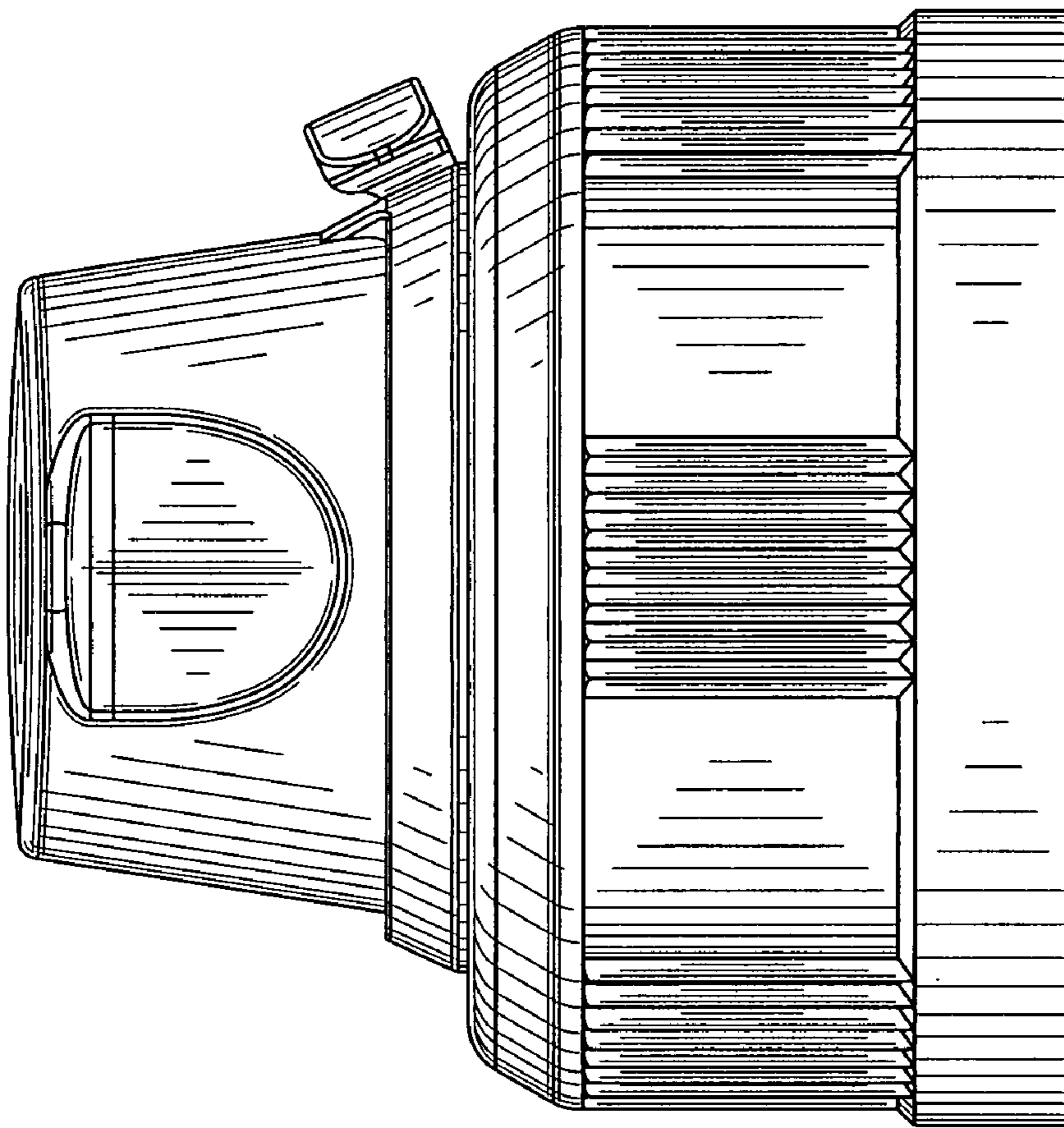


FIG. 4

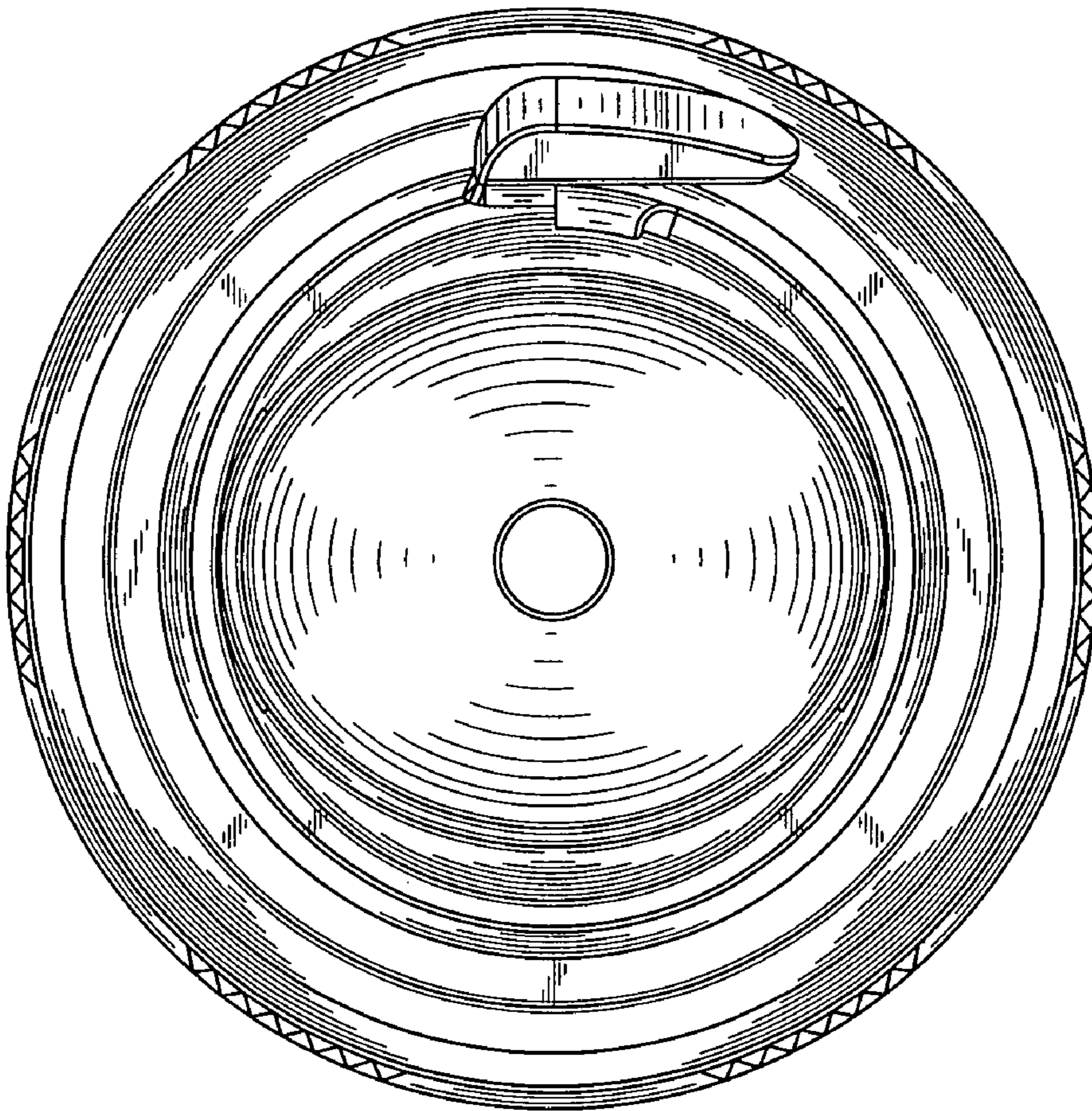


FIG. 5

