

US00D548079S

(12) **United States Design Patent** (10) **Patent No.:** **US D548,079 S**
van der Heijden et al. (45) **Date of Patent:** **** Aug. 7, 2007**

(54) **DISPENSER FOR LIQUID SOAP** D463,743 S 10/2002 de Mourgues
D466,812 S 12/2002 Yang
D470,043 S 2/2003 Crawford

(75) Inventors: **Edgar van der Heijden**, Broek op Langedijk (NL); **Petar Jozef Jan Albertz**, Haarlem (NL)

(Continued)

(73) Assignee: **Airspray International B.V.**, RE Alkmaar (NL)

FOREIGN PATENT DOCUMENTS

(**) Term: **14 Years**

(21) Appl. No.: **29/272,588**

JP	9118352	5/1997
JP	9124063	5/1997
JP	9183451	7/1997
JP	2004121889	4/2004
JP	2004217283	8/2004
JP	2004218556	8/2004

(22) Filed: **Feb. 12, 2007**

OTHER PUBLICATIONS

Related U.S. Application Data

(60) Continuation of application No. 29/264,791, filed on Aug. 17, 2006, now Pat. No. Des. 536,972, which is a division of application No. 29/251,258, filed on Jan. 5, 2006, now Pat. No. Des. 529,384.

Brochure for GCI—Global Cosmetic Industry, “Branding: Powerful Protection Against Competition and Insulation from Changing Economic Conditions,” Apr. 2002.
Marchie, Melanie, “A New Attitude: Soaps Get Serious,” a brochure reprinted from the Dec. 2001 issue of *Happi*.

(30) **Foreign Application Priority Data**

Jul. 5, 2005 (EM) 000368097-0001

Primary Examiner—Robert M. Spear
Assistant Examiner—Bennett Hattan Susan
(74) *Attorney, Agent, or Firm*—Hoffmann & Baron, LLP

(51) **LOC (8) Cl.** **09-07**

(52) **U.S. Cl.** **D9/448; D9/434**

(58) **Field of Classification Search** D9/694, D9/693, 682, 529, 448, 447, 440, 435, 686, D9/575, 552, 549, 516; D7/587, 558, 555, D7/554.4, 554.2, 553.6, 553.1, 550.1; D6/550, D6/542, 536; D23/254, 250, 249; 222/562, 222/402.13, 402.1, 385, 383.1, 372, 321.7, 222/321.3, 320, 153.13
See application file for complete search history.

(57) **CLAIM**

The ornamental design for a dispenser for liquid soap, as shown and described.

(56) **References Cited**

U.S. PATENT DOCUMENTS

D272,988 S	3/1984	Podall et al.
D320,348 S	10/1991	Law
5,615,806 A	4/1997	Grothoff
D398,529 S	9/1998	Mascitelli
D452,822 S	1/2002	Boshuizen et al.

DESCRIPTION

FIG. 1 is a perspective view of a dispenser for liquid soap showing our new design;

FIG. 2 is a front elevation view thereof;

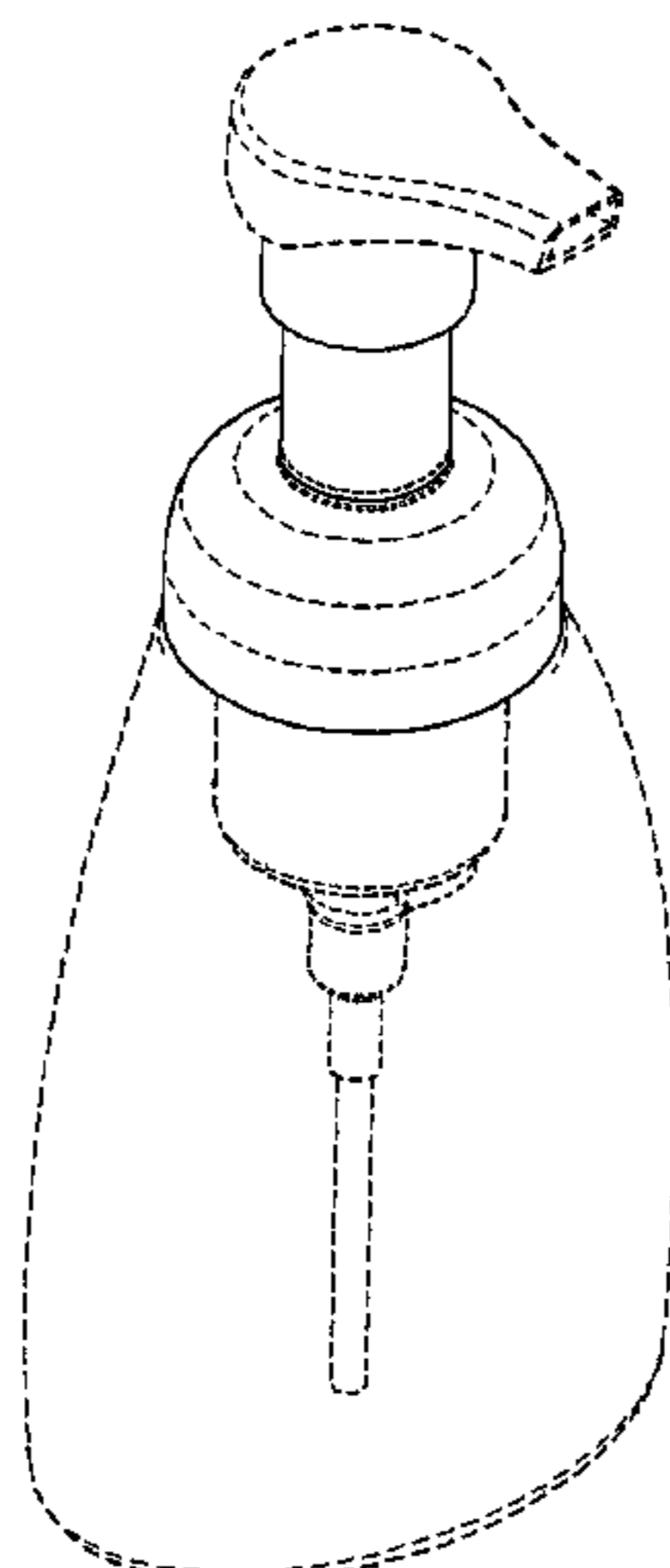
FIG. 3 is a side elevation view thereof;

FIG. 4 is a rear elevation view thereof; and,

FIG. 5 is a top view thereof.

The subject matter shown in broken lines is for illustrative purposes only and forms no part of the claimed design. The bottom view (not shown) forms no part of the claimed design.

1 Claim, 5 Drawing Sheets



US D548,079 S

Page 2

U.S. PATENT DOCUMENTS

D471,105 S	3/2003	González Fernández		
D480,642 S	10/2003	Dretzka		
D480,643 S	10/2003	Dretzka		
D484,402 S *	12/2003	Crawford	D9/693	
D484,403 S *	12/2003	Crawford	D9/682	
D485,747 S *	1/2004	Crawford	D9/682	
				* cited by examiner
		D488,716 S	4/2004	Dretzka
		D499,333 S *	12/2004	Crawford
		D499,966 S	12/2004	Arminak
		6,840,408 B1	1/2005	Foster et al.
		D507,486 S *	7/2005	Wang
		D524,166 S *	7/2006	Walther et al.

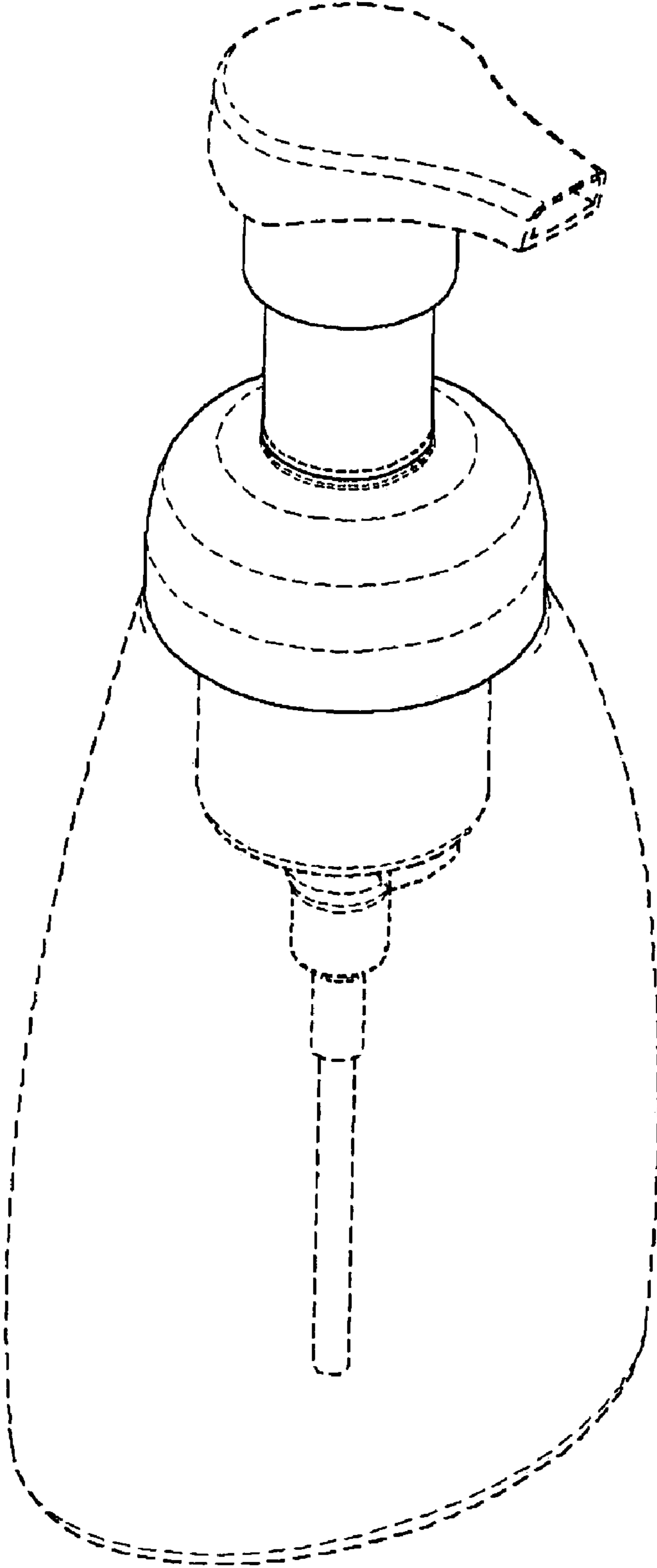


Fig. 1

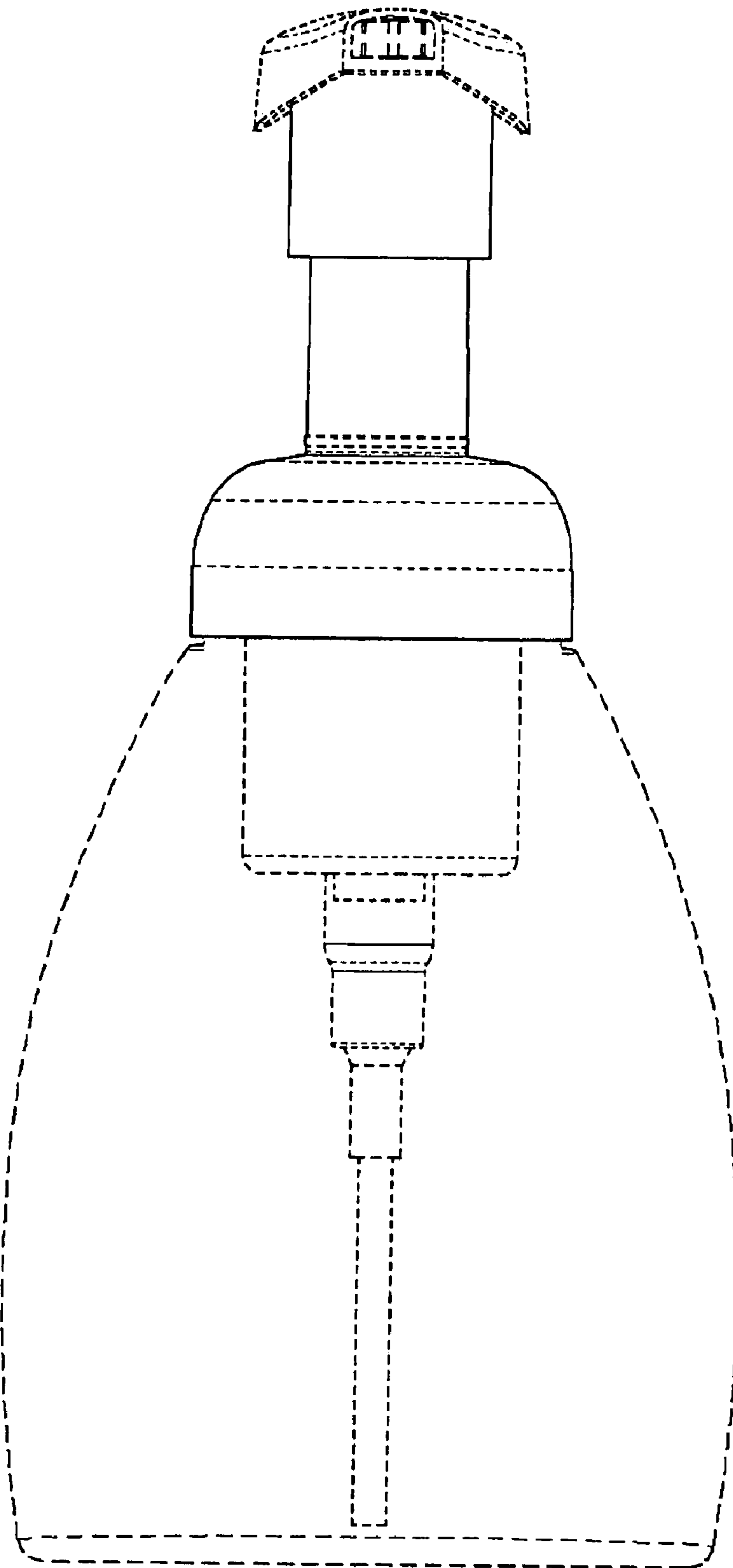


Fig. 2

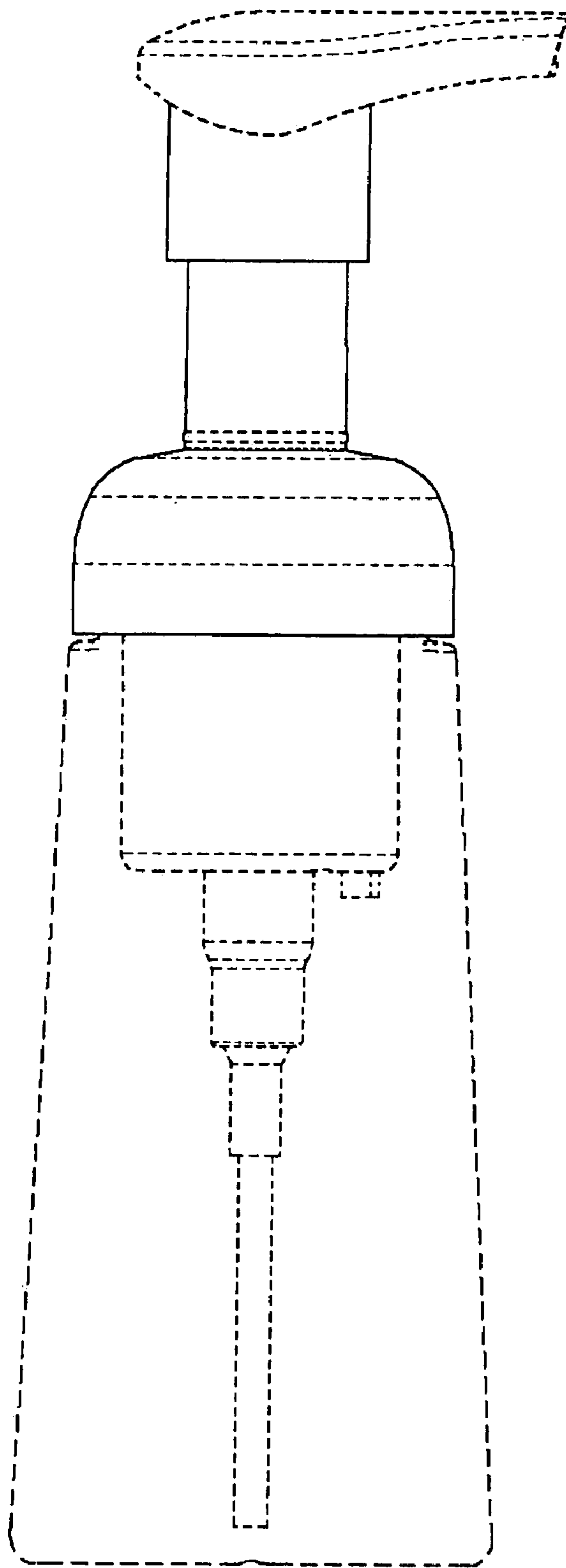


Fig. 3

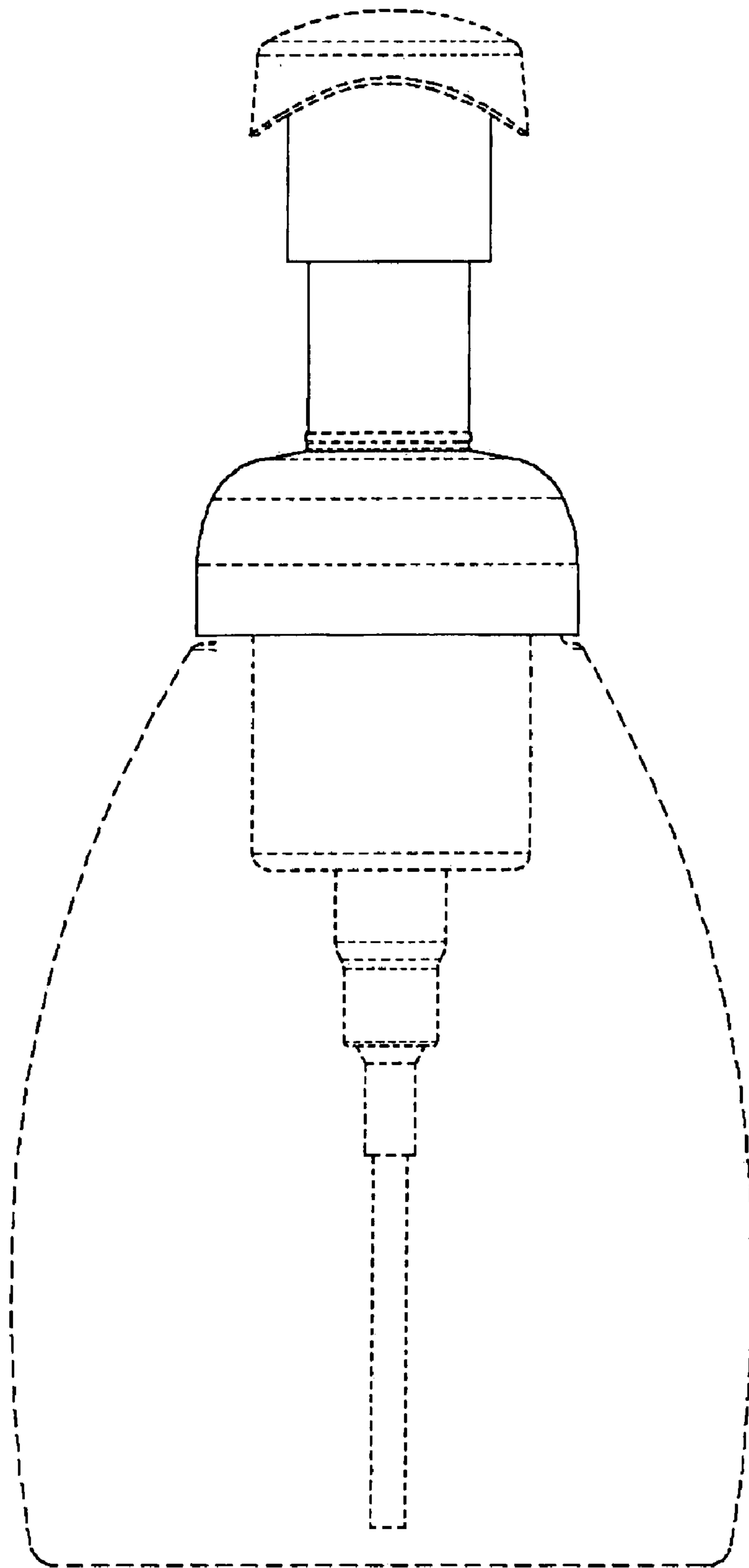


Fig. 4

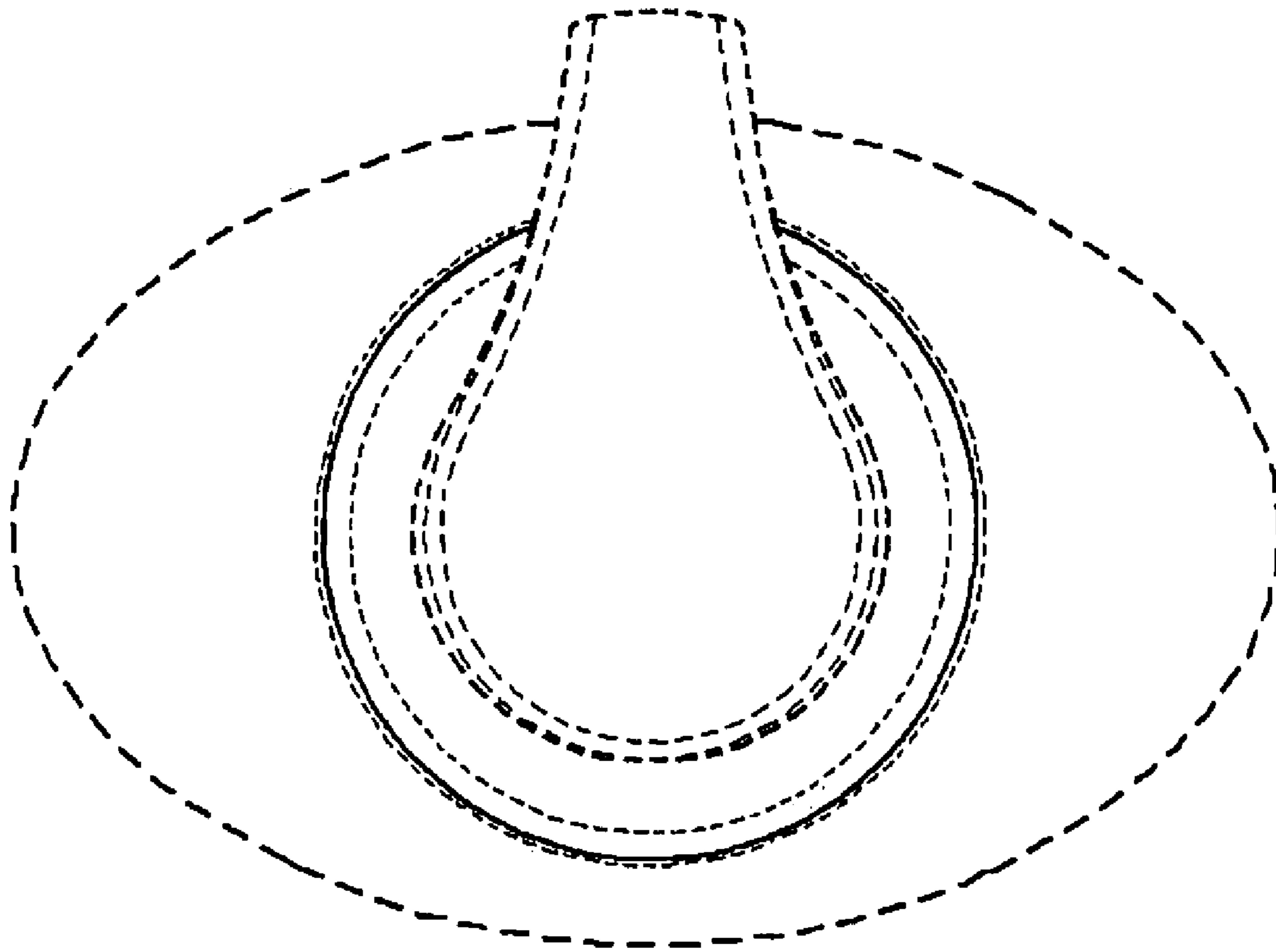


Fig. 5