

US00D548075S

(12) **United States Design Patent**
Mavin et al.

(10) **Patent No.:** **US D548,075 S**

(45) **Date of Patent:** **** Aug. 7, 2007**

(54) **CLOSURE FOR CONTAINER**

(75) Inventors: **Gerry Mavin**, Ashington (GB);
Timothy Stephenson, Doncaster (GB)

(73) Assignee: **Portola Packaging, Limited**,
Doncaster, South Yorkshire (GB)

(**) Term: **14 Years**

(21) Appl. No.: **29/238,927**

(22) Filed: **Sep. 16, 2005**

(30) **Foreign Application Priority Data**

Mar. 17, 2005 (EM) 000316385

(51) **LOC (8) Cl.** **09-07**

(52) **U.S. Cl.** **D9/435; D9/445; D9/447**

(58) **Field of Classification Search** D9/686,
D9/503, 453, 452, 447, 445, 444; D8/307;
D24/121, 114; D23/250; 220/905; 215/252
See application file for complete search history.

(56) **References Cited**

U.S. PATENT DOCUMENTS

- D204,103 S * 3/1966 Lydon D9/447
- D258,525 S * 3/1981 Thevenot D23/250
- D276,700 S * 12/1984 Brown et al. D9/436
- D289,379 S * 4/1987 DeVaughn D9/452
- D318,621 S * 7/1991 Venne D9/453
- D378,269 S * 3/1997 Doughty et al. D8/307
- D379,304 S * 5/1997 Bova D9/447
- D399,423 S * 10/1998 Palestrant D9/447

- D433,820 S * 11/2000 Haarer et al. D5/39
- 6,571,994 B1 6/2003 Adams et al.
- 6,702,161 B2 3/2004 Adams et al.
- D531,900 S * 11/2006 Mavin et al. D9/447

FOREIGN PATENT DOCUMENTS

WO WO 2005/044670 A2 5/2005

* cited by examiner

Primary Examiner—Robert M. Spear

Assistant Examiner—Susan Bennett Hattan

(74) *Attorney, Agent, or Firm*—James P. Hanrath

(57) **CLAIM**

The ornamental design for a closure for container, as shown and described.

DESCRIPTION

FIG. 1 is a perspective view of a closure for a container, the closure including a spout and dust cover;

FIG. 2 is a side elevational view thereof, with the other side, front and rear being identical;

FIG. 3 is a perspective view of the spout only;

FIG. 4 is a side elevational view of the spout only;

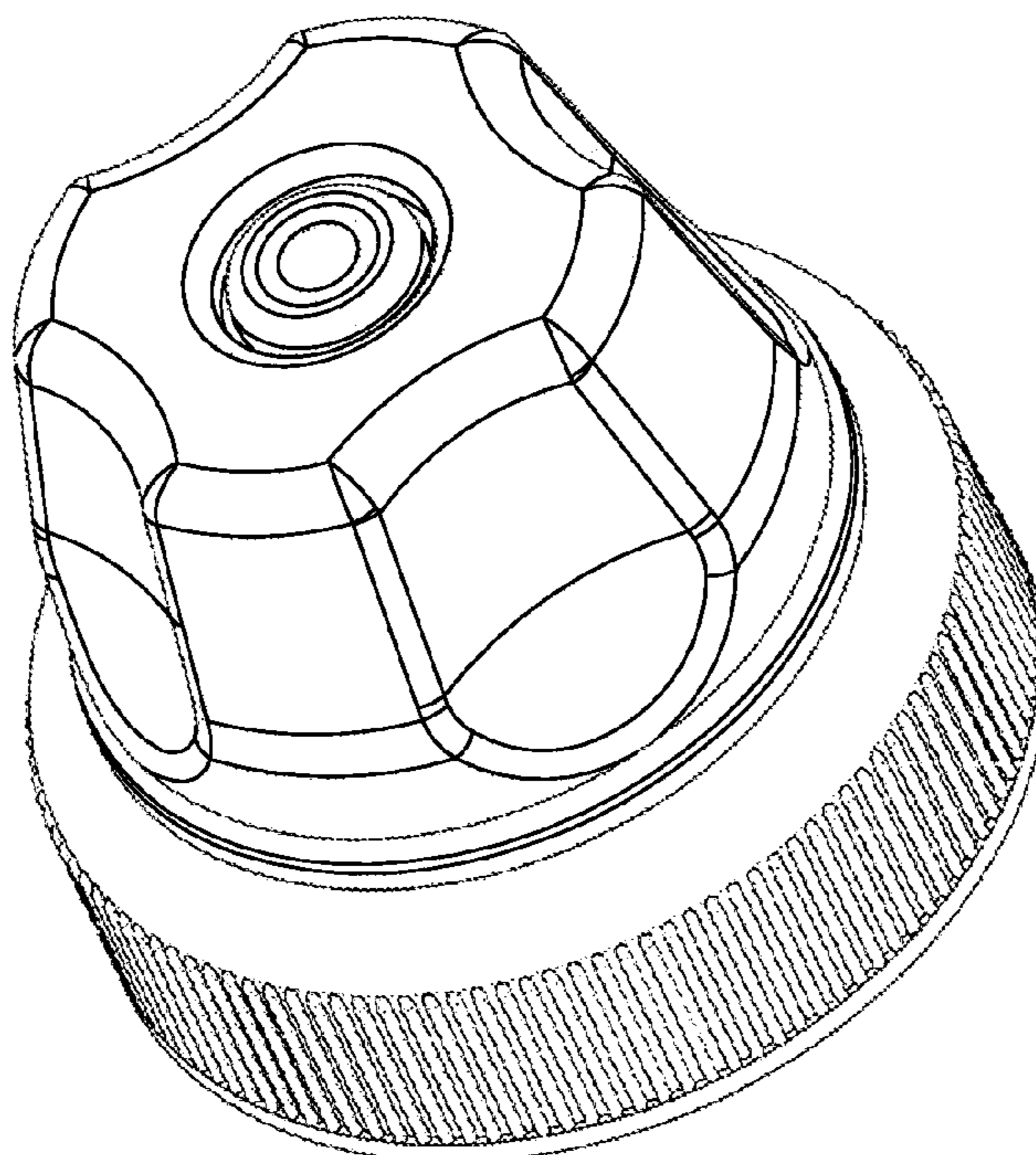
FIG. 5 is a top plan view of the spout only;

FIG. 6 is a perspective view of the dust cover only;

FIG. 7 is a side elevational view of the dust cover only; and,

FIG. 8 is a top plan view of the dust cover only.

1 Claim, 3 Drawing Sheets



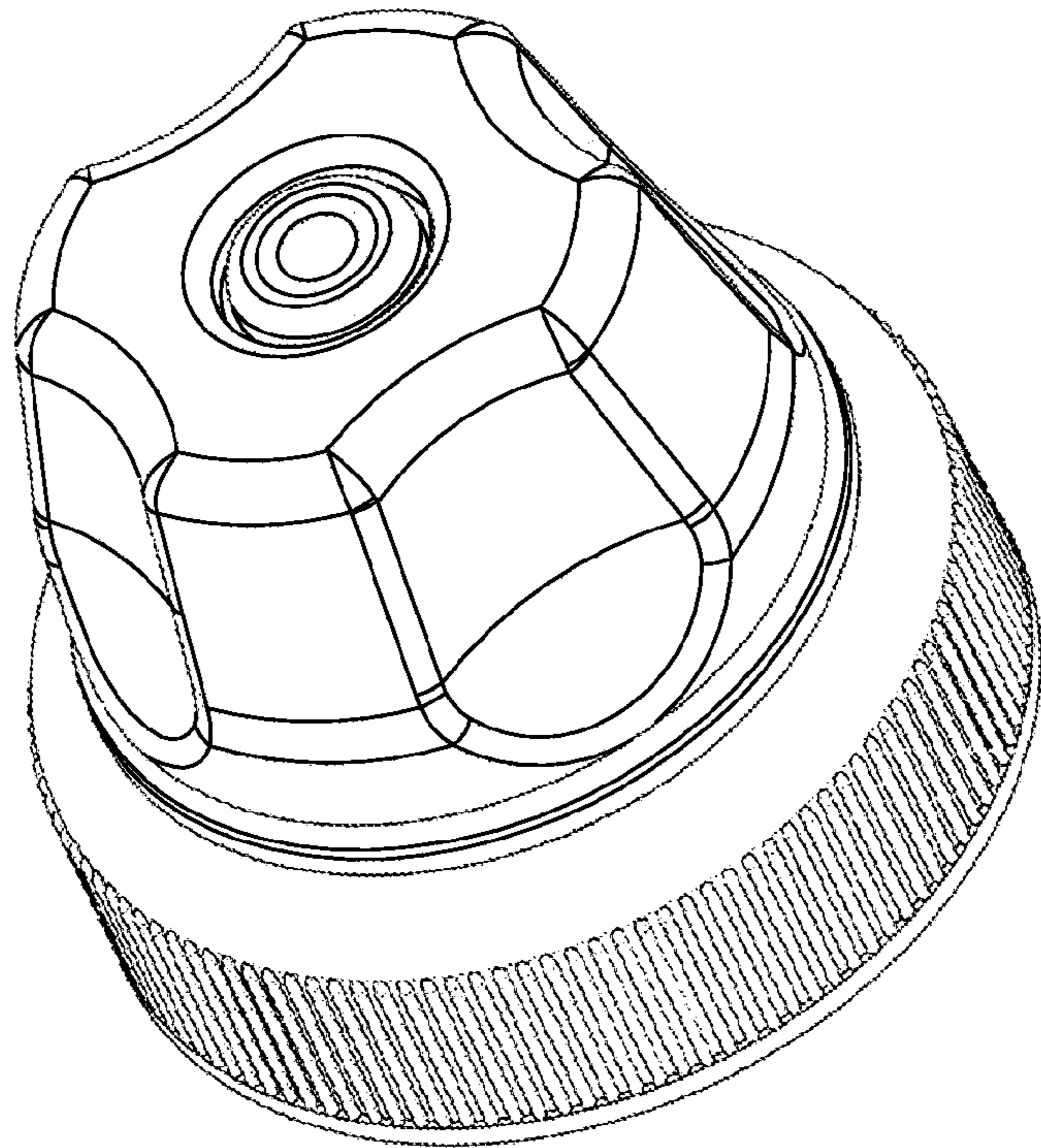


FIG. 1

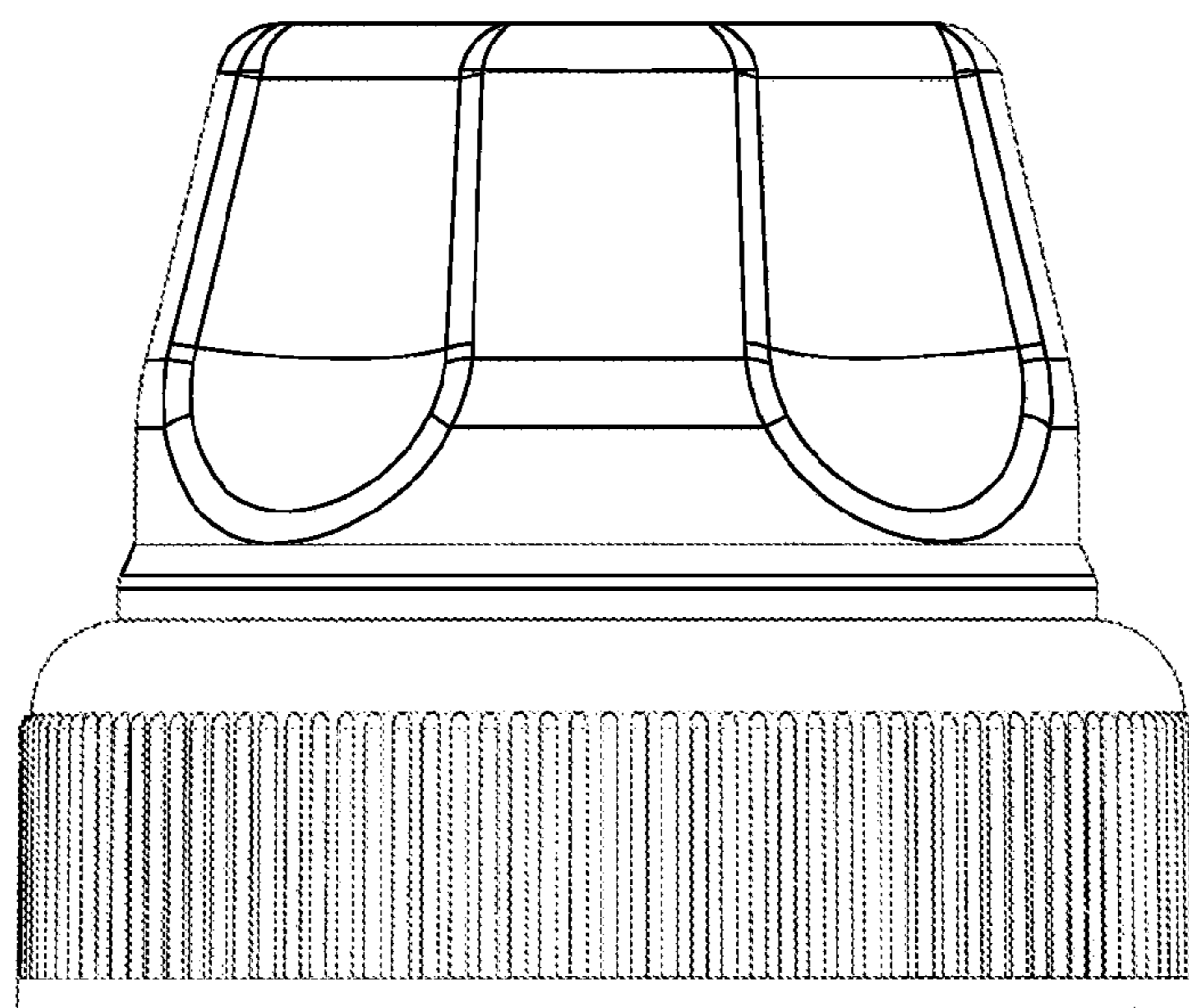


FIG. 2

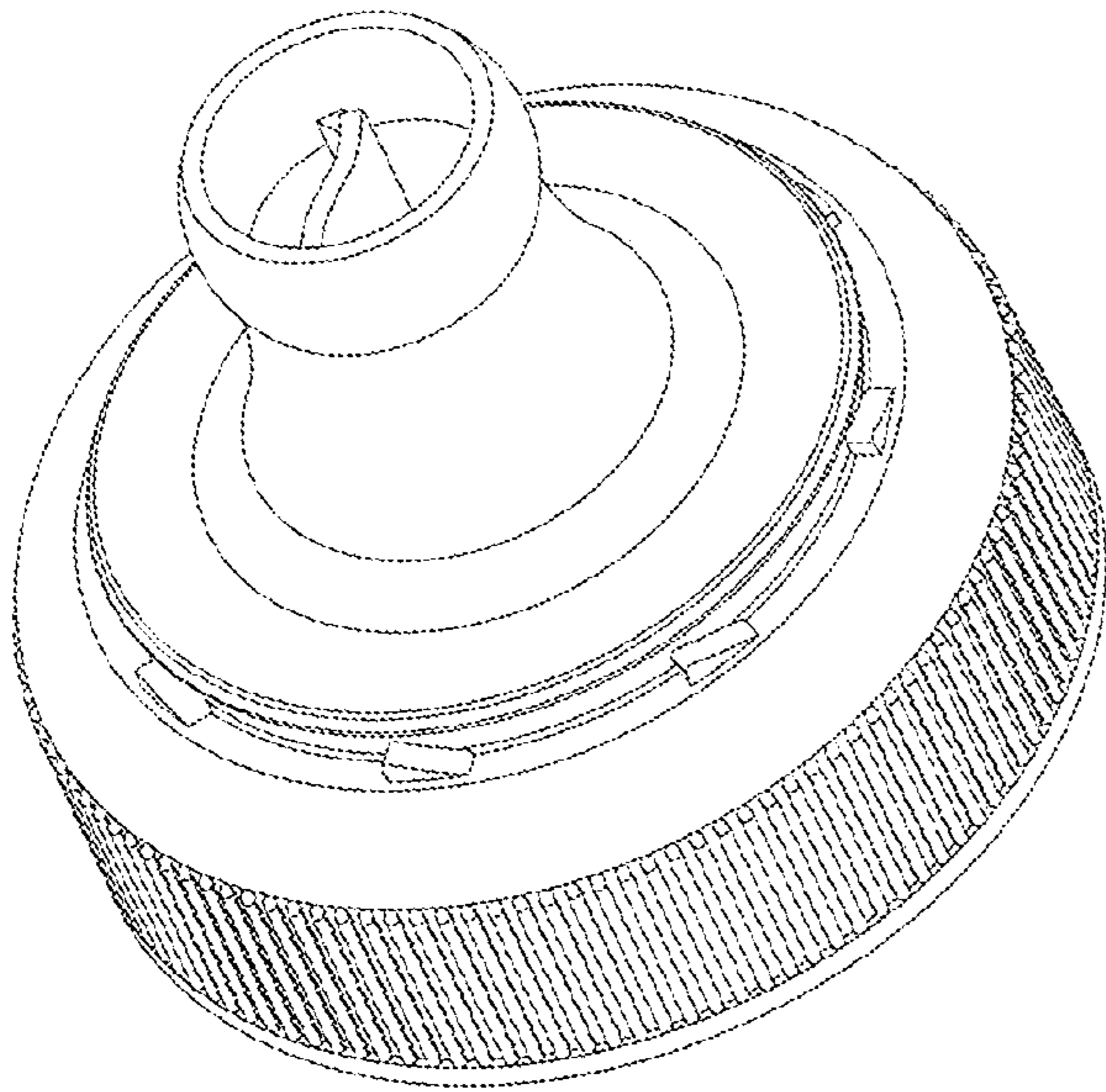


FIG. 3

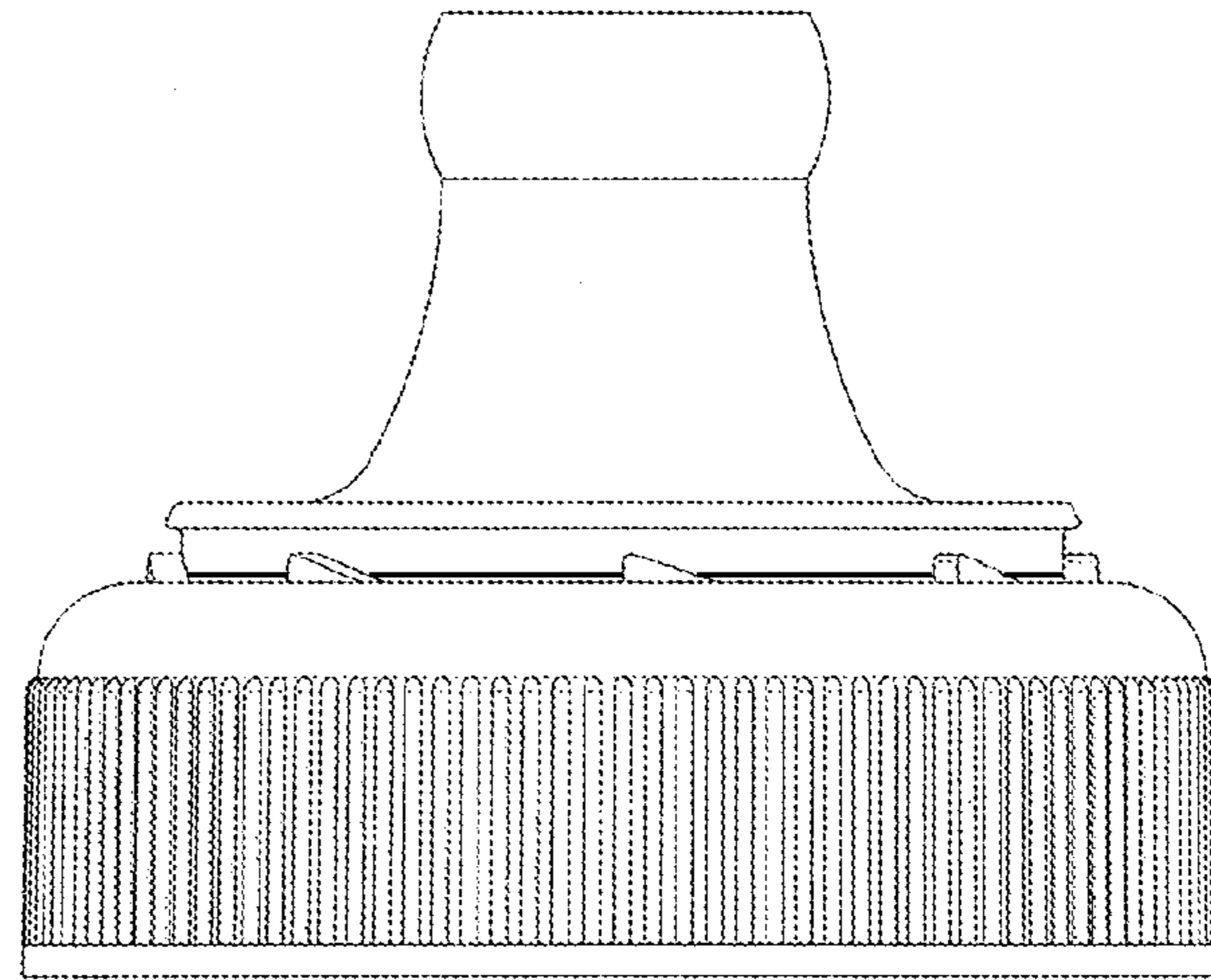


FIG. 4

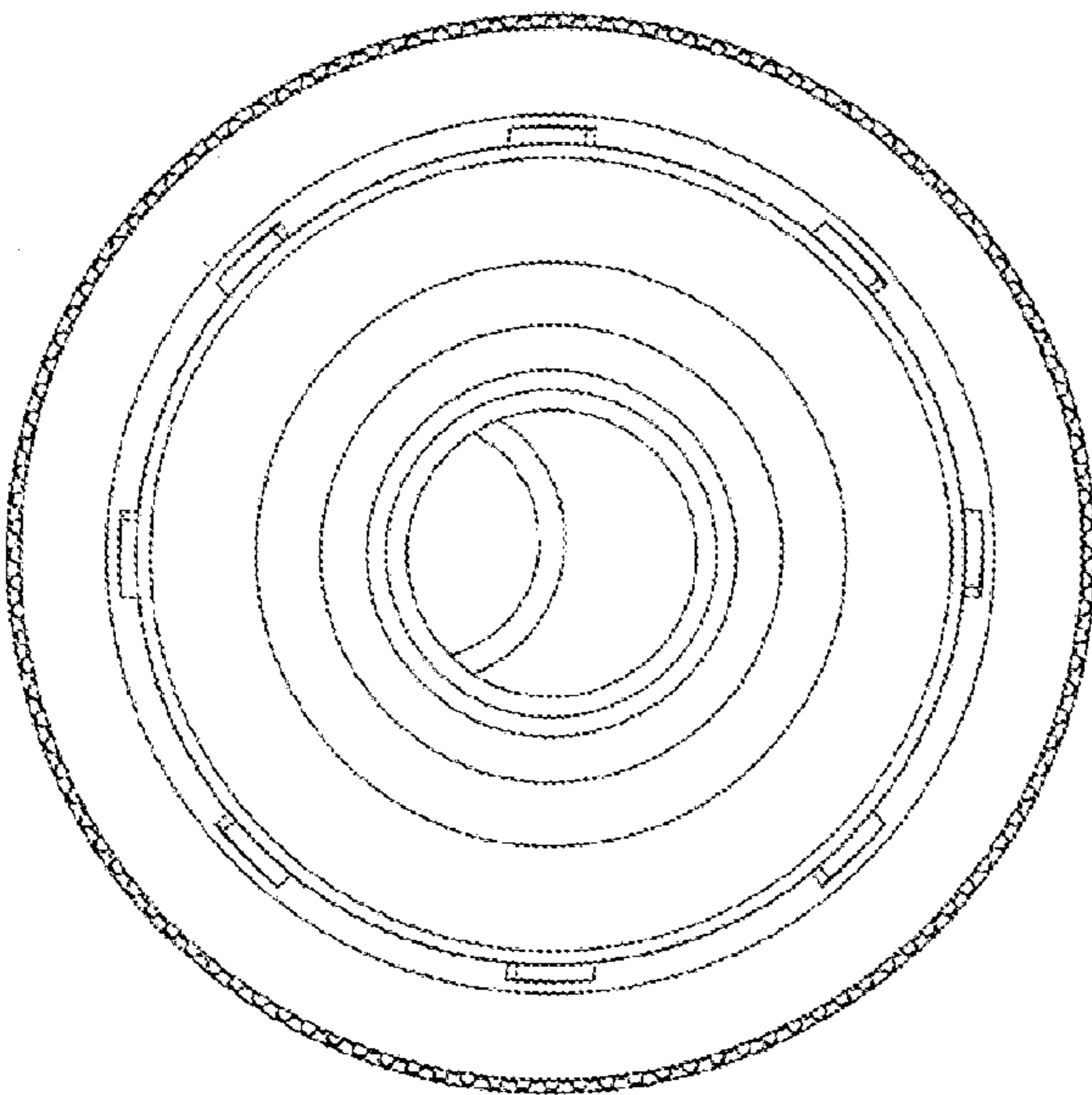


FIG. 5

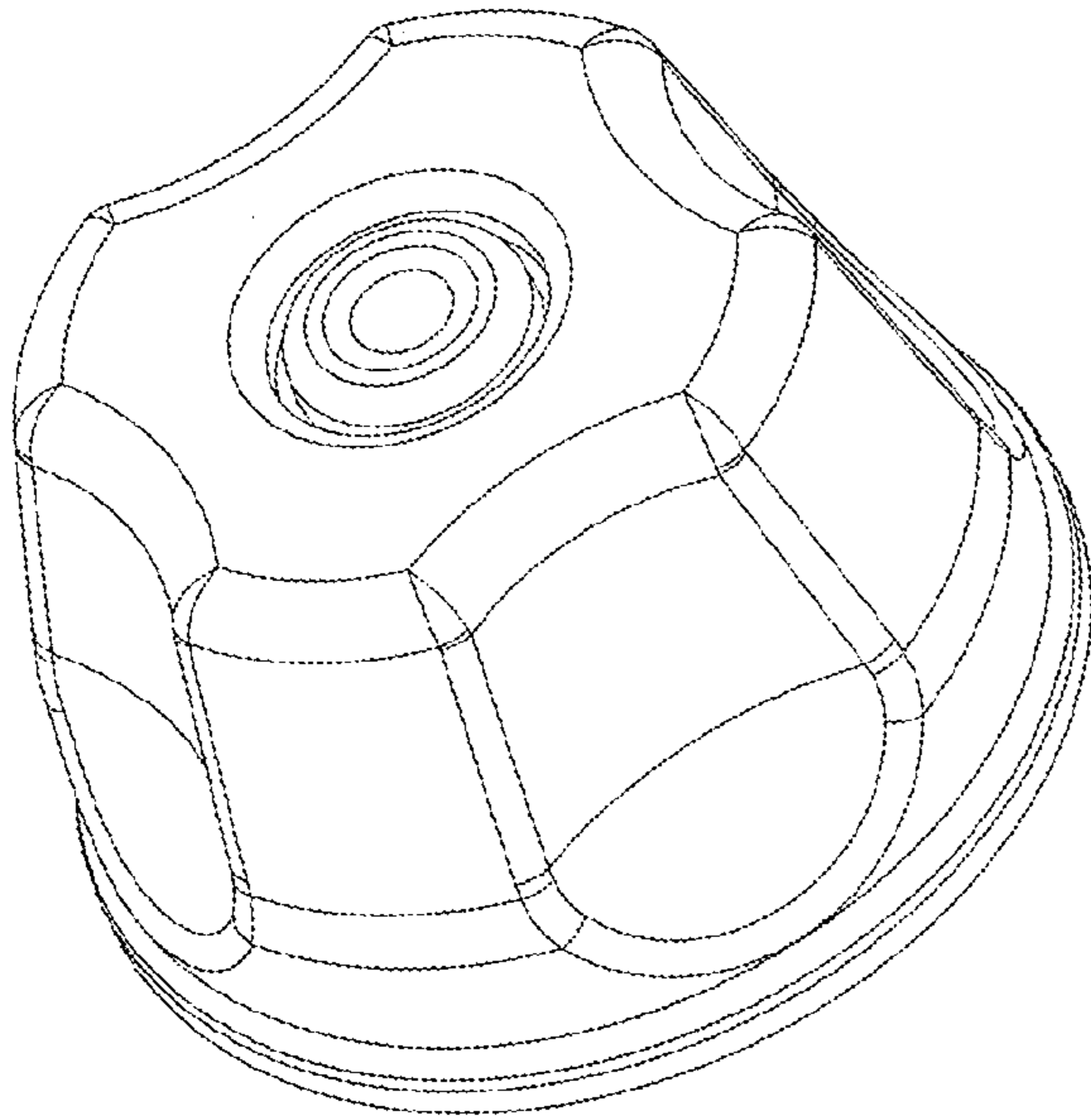


FIG. 6

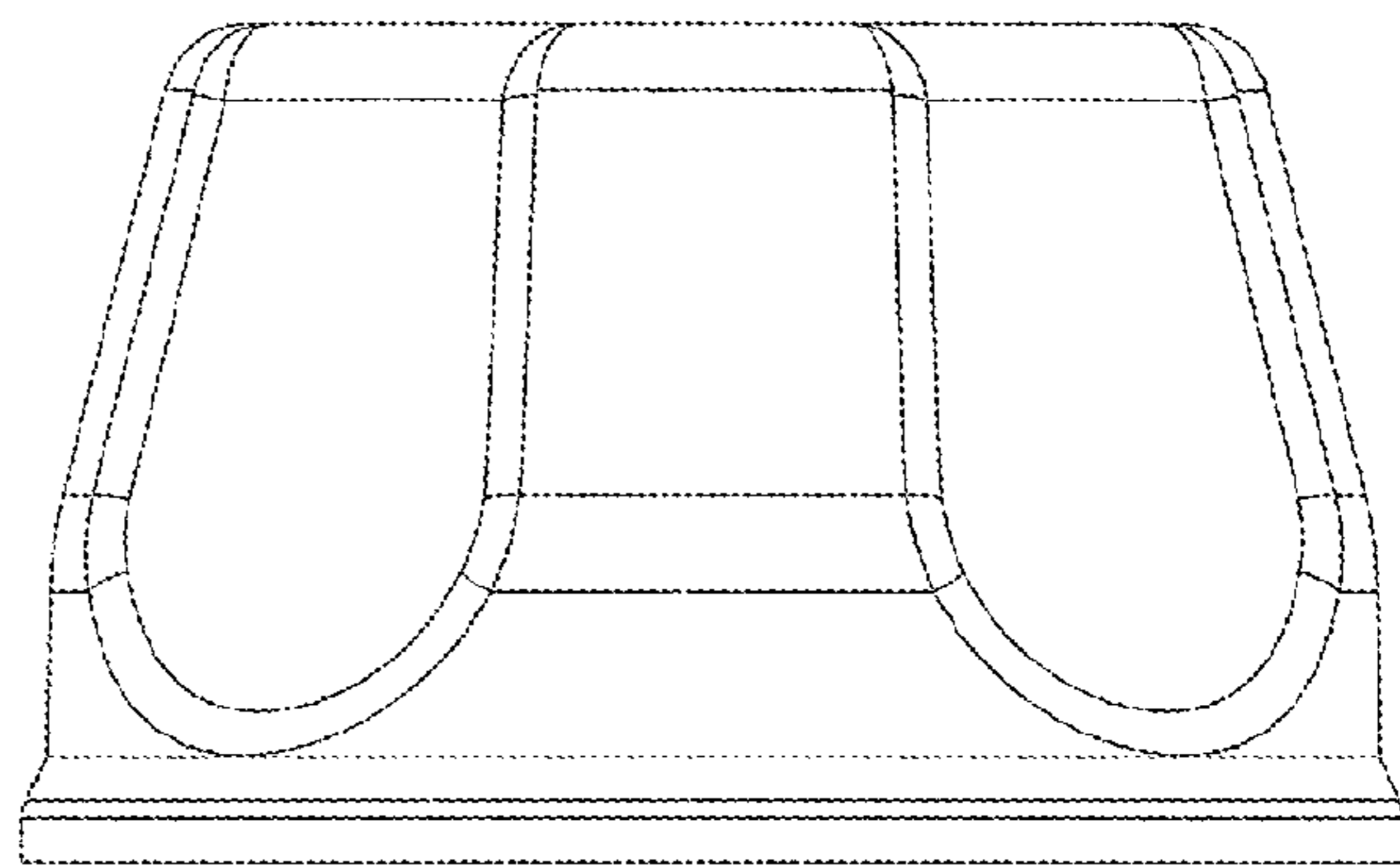


FIG. 7

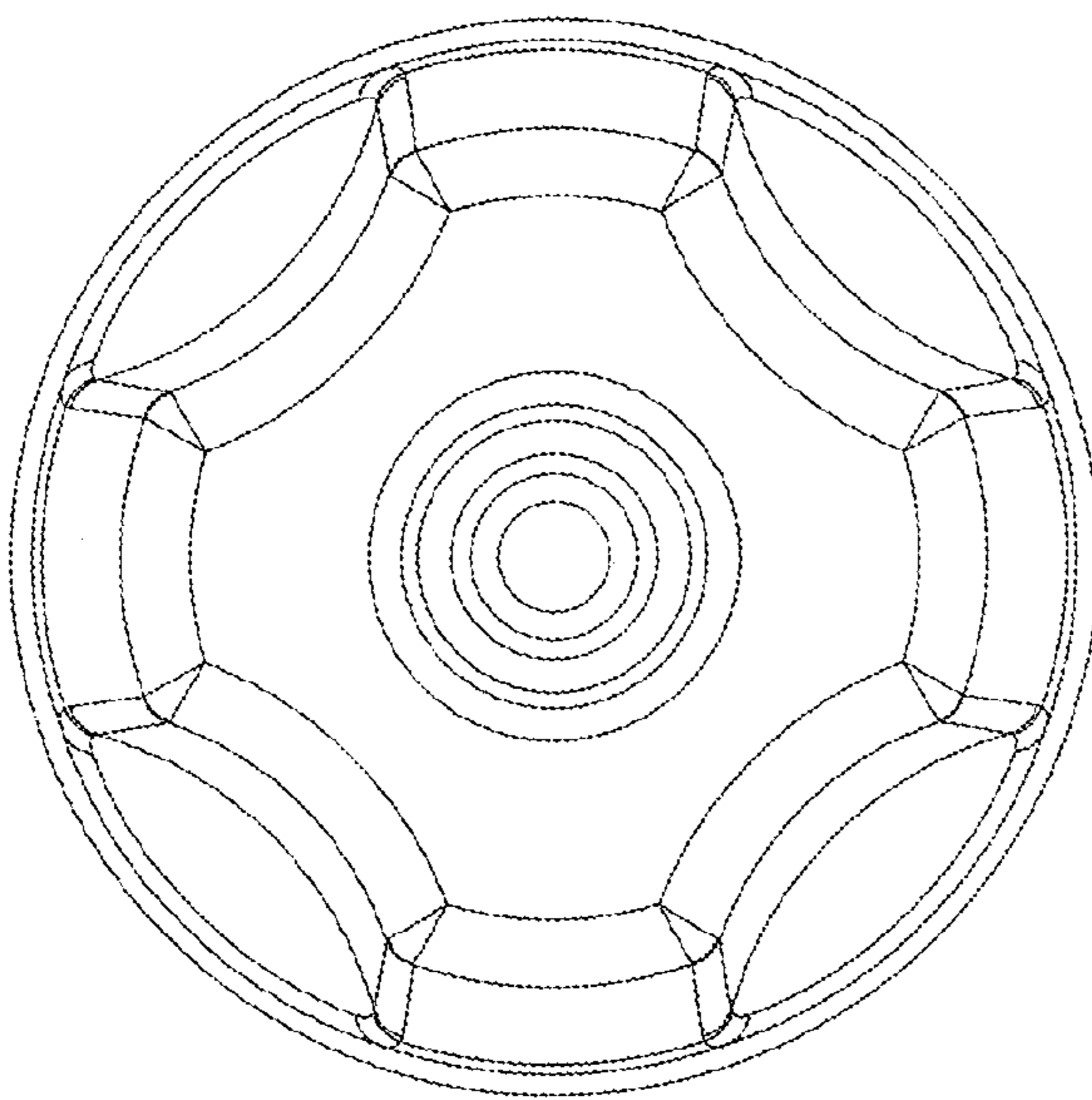


FIG. 8