

US00D548069S

(12) **United States Design Patent**
Sagel et al.

(10) **Patent No.:** **US D548,069 S**

(45) **Date of Patent:** **** Aug. 7, 2007**

(54) **FOOD CONTAINER**

(75) Inventors: **Joseph Paul Sagel**, Plano, TX (US);
Eric Thomas Henderson, Dallas, TX (US)

(73) Assignee: **Frito-Lay North America, Inc.**, Plano, TX (US)

(**) Term: **14 Years**

(21) Appl. No.: **29/246,570**

(22) Filed: **Apr. 24, 2006**

(51) **LOC (8) Cl.** **09-03**

(52) **U.S. Cl.** **D9/425**

(58) **Field of Classification Search** D9/416,
D9/424, 425, 428, 429, 430, 432, 737, 756,
D9/759, 760, 761; D7/602, 608, 614; 229/400,
229/404, 406, 407, 902; 426/108, 115, 119;
206/503, 508, 518, 519, 557, 558, 563, 524.8,
206/223, 541, 469, 459.5, 820; 220/23.4,
220/23.8, 23.83, 669, 674, 675, 556, 557,
220/659, 359.1, 359.2, 574, 359.4, 608, 573.4,
220/623

See application file for complete search history.

(56) **References Cited**

U.S. PATENT DOCUMENTS

D215,824 S	*	11/1969	Vanderhyde	D9/429
D216,870 S	*	3/1970	Gregor	D9/429
D219,959 S	*	2/1971	Anderson	D9/425
D220,031 S	*	3/1971	Donovan	D9/429
D234,574 S	*	3/1975	Schimkat	D9/425
D241,622 S	*	9/1976	Smith	D9/760
D245,896 S	*	9/1977	Philippon	D9/425
4,104,349 A		8/1978	Hillgenberg		
D263,681 S	*	4/1982	Parr	D9/760
D264,244 S	*	5/1982	Olsen	D24/226
D265,462 S	*	7/1982	Andrulionis et al.	D9/429
D265,798 S	*	8/1982	Ossola	D9/429
D273,842 S	*	5/1984	Jeannin	D9/758
4,462,494 A		7/1984	Cunningham		

(Continued)

Primary Examiner—Stella Reid

Assistant Examiner—Mark Goodwin

(74) *Attorney, Agent, or Firm*—Carstens & Cahoon, LLP;
Colin P. Cahoon

(57) **CLAIM**

The ornamental design for a food container, as shown and described.

DESCRIPTION

FIG. 1 is a top perspective view of the first embodiment of the food container of the present invention;

FIG. 2 is a front elevation view of the first embodiment of the food container of the present invention, with the rear elevation view a mirror image of the front elevation view;

FIG. 3 is a left elevation view of the first embodiment of the food container of the present invention, with the right elevation view a mirror image of the left elevation view;

FIG. 4 is a top elevation view of the first embodiment of the food container of the present invention;

FIG. 5 is a bottom elevation view of the first embodiment of the food container of the present invention;

FIG. 6 is a bottom perspective view of the first embodiment of the food container of the present invention;

FIG. 7 is a top perspective view of the second embodiment of the food container of the present invention;

FIG. 8 is a front elevation view of the second embodiment of the food container of the present invention, with the rear elevation view a mirror image of the front elevation view;

FIG. 9 is a left elevation view of the second embodiment of the food container of the present invention, with the right elevation view a mirror image of the left elevation view;

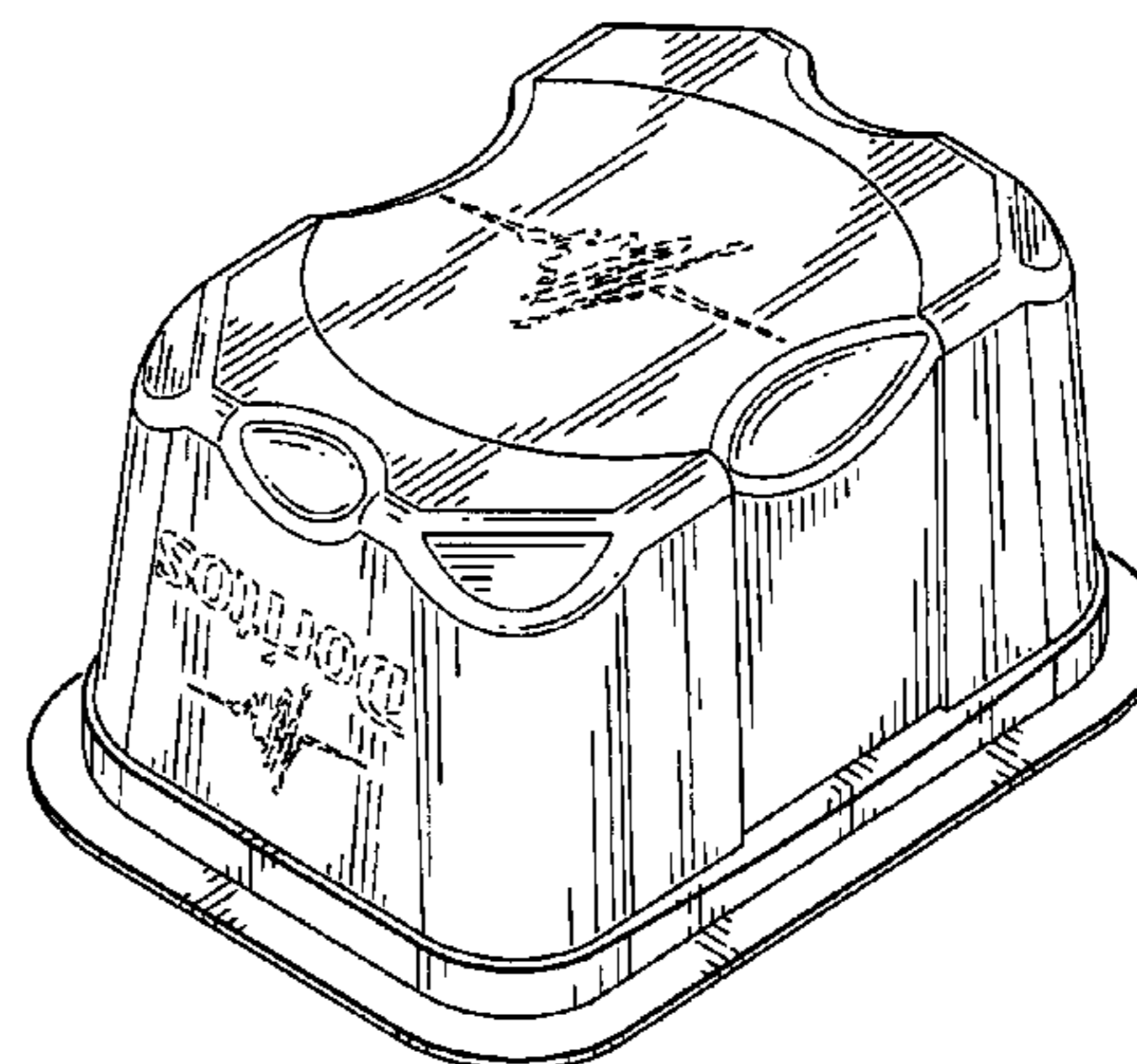
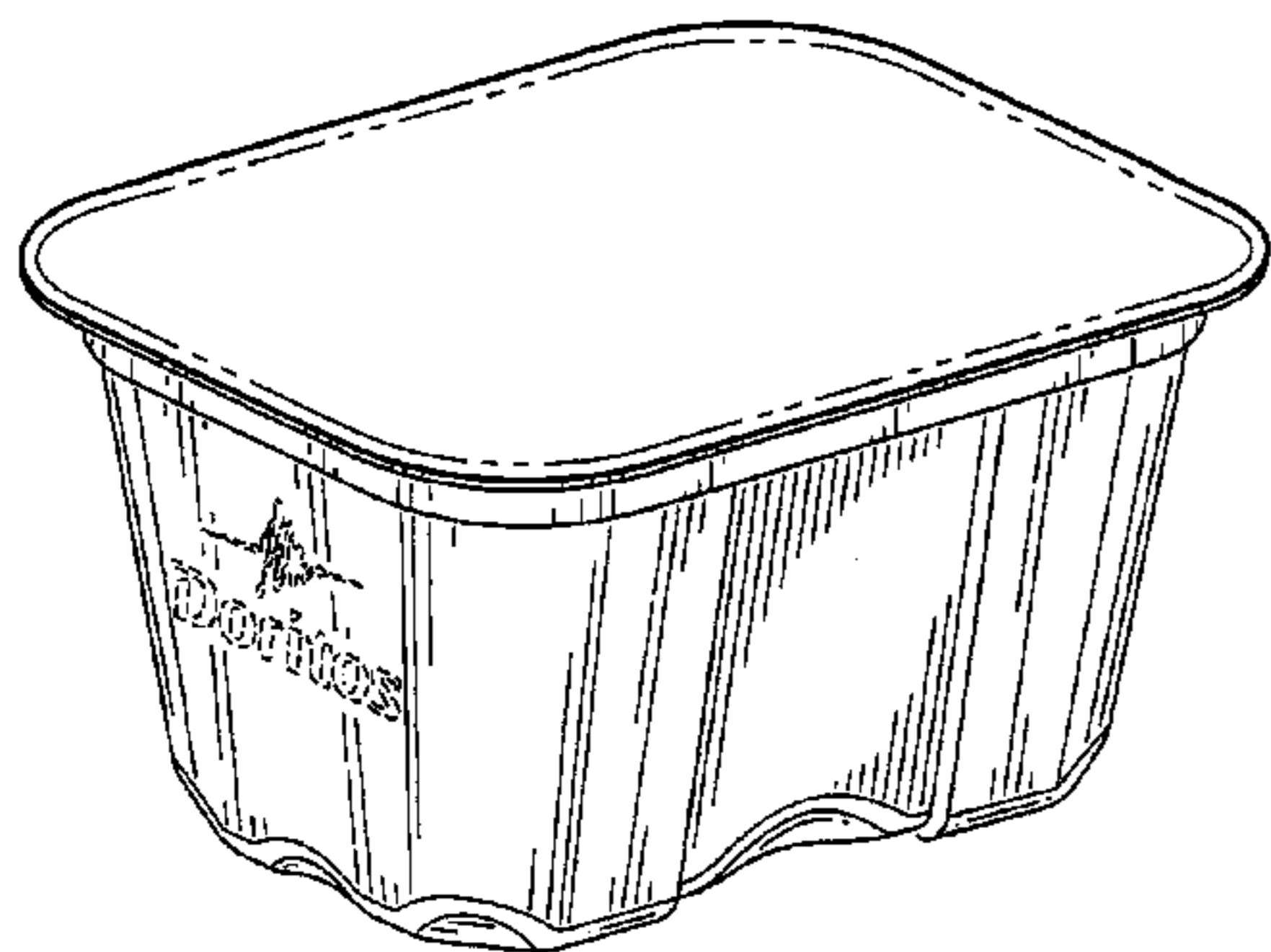
FIG. 10 is a top elevation view of the second embodiment of the food container of the present invention;

FIG. 11 is a bottom elevation view of the second embodiment of the food container of the present invention; and,

FIG. 12 is a bottom perspective view of the second embodiment of the food container of the present invention.

The broken line showing product logos in FIGS. 1, 2, 5, 6, 7, 8, 11, and 12 is for illustrative purposes only and forms no part of the claimed design.

1 Claim, 4 Drawing Sheets



US D548,069 S

Page 2

U.S. PATENT DOCUMENTS

D289,499 S	*	4/1987	Drummond et al.	D9/429	D417,785 S	*	12/1999	Daniels	D3/313
D289,854 S	*	5/1987	Lane et al.	D9/760	6,042,906 A		3/2000	Itoh et al.		
4,799,590 A		1/1989	Furman			6,086,931 A	*	7/2000	Whiteford	426/118
4,875,620 A	*	10/1989	Lane, Sr.	229/404	D430,023 S	*	8/2000	Shurtleff et al.	D9/425
D313,556 S	*	1/1991	Smith	D9/425	D439,839 S	*	4/2001	Wolf et al.	D9/431
4,990,562 A		2/1991	Chou et al.			D440,874 S	*	4/2001	Shurtleff et al.	D9/425
D317,567 S	*	6/1991	Lane, Sr.	D9/425	6,274,246 B1		8/2001	Eggers et al.		
D317,568 S	*	6/1991	Lane, Sr.	D9/425	D452,152 S	*	12/2001	Meeker et al.	D9/429
D317,569 S	*	6/1991	Lane, Sr.	D9/425	D453,108 S	*	1/2002	Gasco	D9/429
D330,514 S	*	10/1992	Edwards	D9/431	6,371,324 B1		4/2002	Torniainen et al.		
5,277,920 A		1/1994	Weaver, Jr.			6,523,686 B1	*	2/2003	Bae	206/315.9
D351,790 S	*	10/1994	Haindl	D9/425	6,557,319 B1		5/2003	Nolfi, Jr.		
5,409,127 A		4/1995	Stratford et al.			6,699,543 B1		3/2004	Agarwal		
D369,971 S	*	5/1996	Brauner et al.	D9/428	6,843,037 B2		1/2005	Nolfi, Jr.		
5,527,570 A		6/1996	Addeo et al.			D507,740 S	*	7/2005	Ruiz et al.	D9/425
5,543,104 A		8/1996	Stratford et al.			6,942,097 B1		9/2005	Stremple et al.		
5,695,798 A	*	12/1997	Rozzano	426/115	D510,263 S	*	10/2005	Isono et al.	D9/425
D394,005 S	*	5/1998	Marijnissen	D9/416	D512,631 S	*	12/2005	Lhoste et al.	D9/428
5,782,376 A	*	7/1998	Brauner et al.	220/669	7,104,416 B2	*	9/2006	Gasco et al.	220/608

* cited by examiner

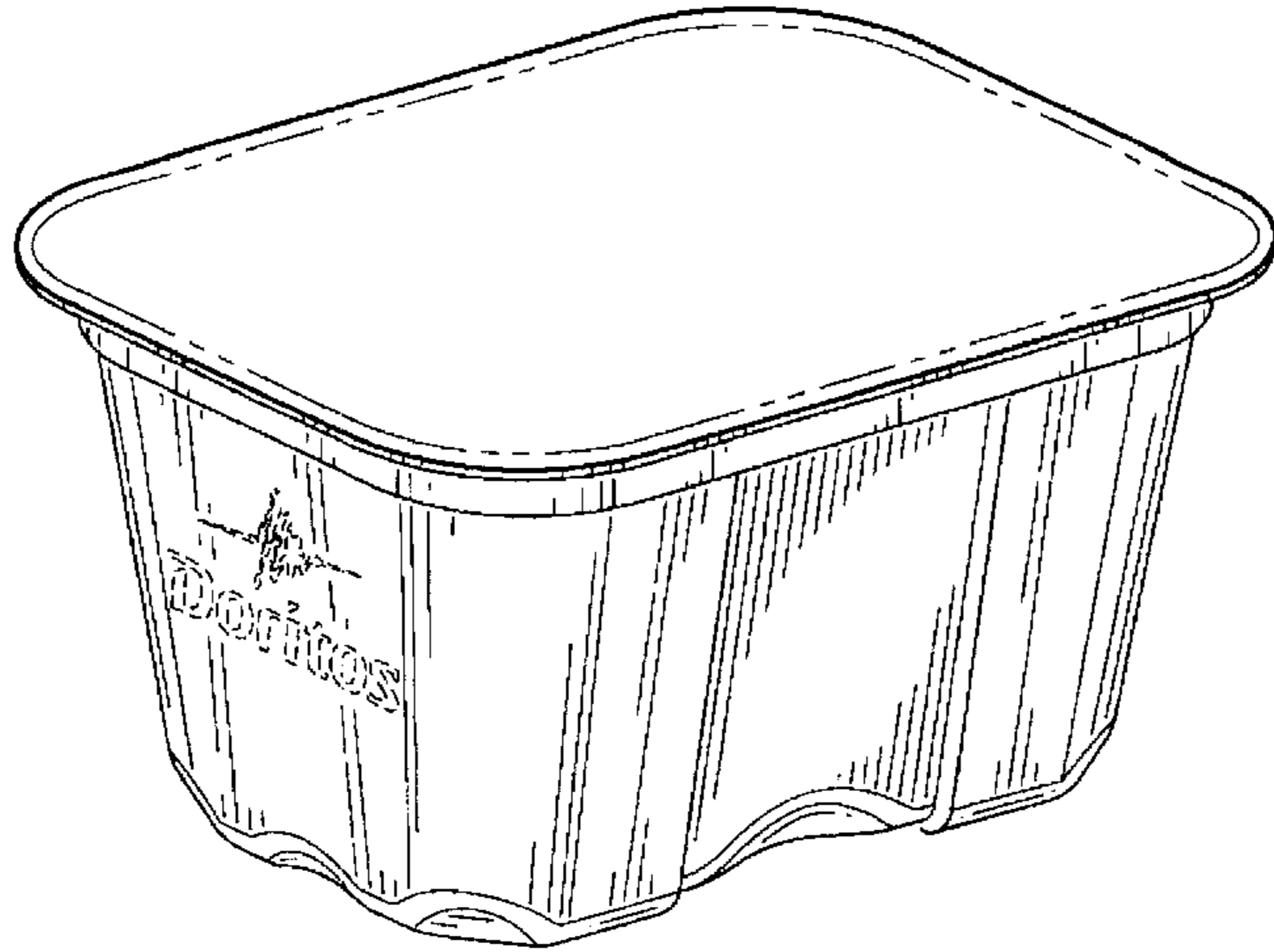


FIG. 1

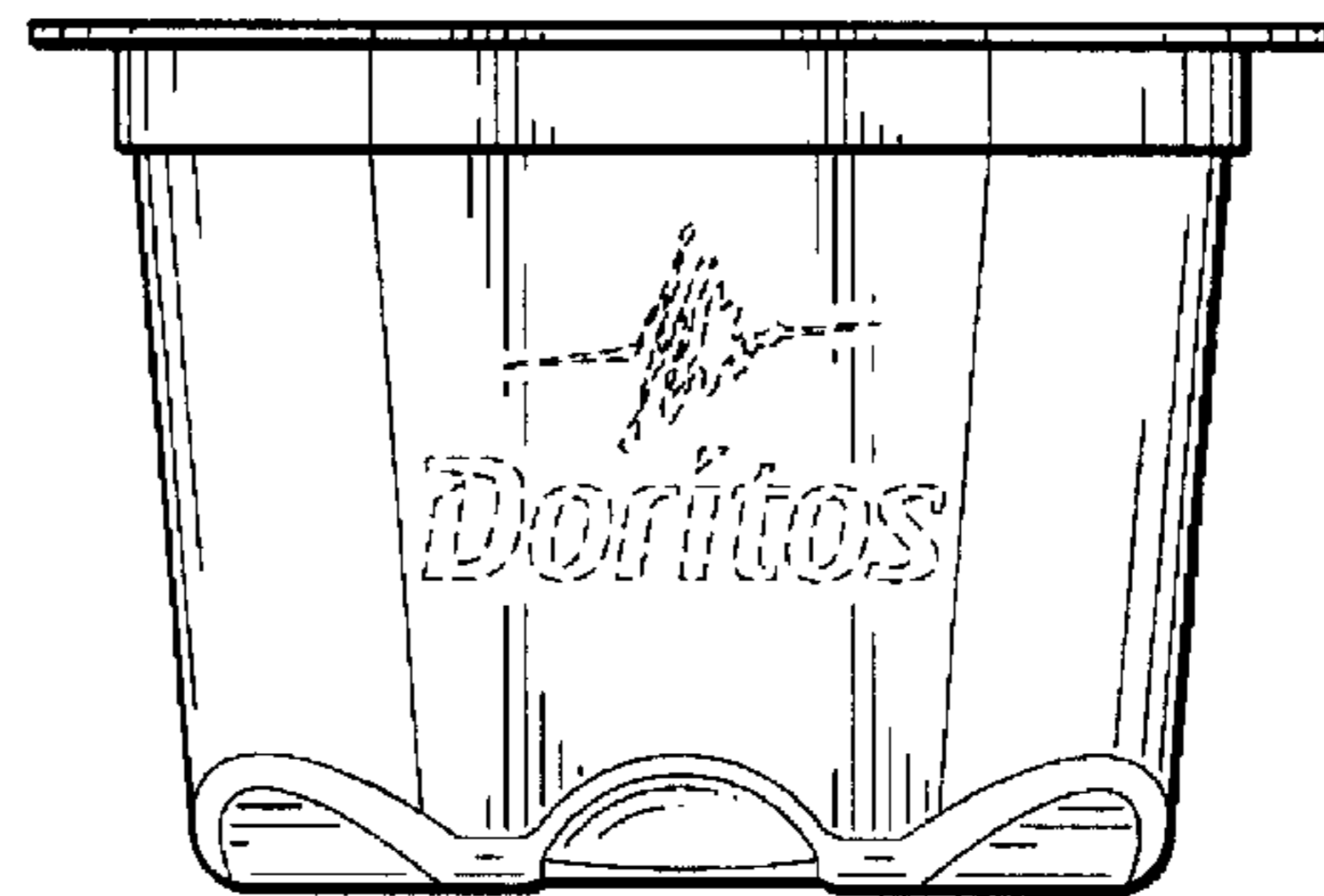


FIG. 2

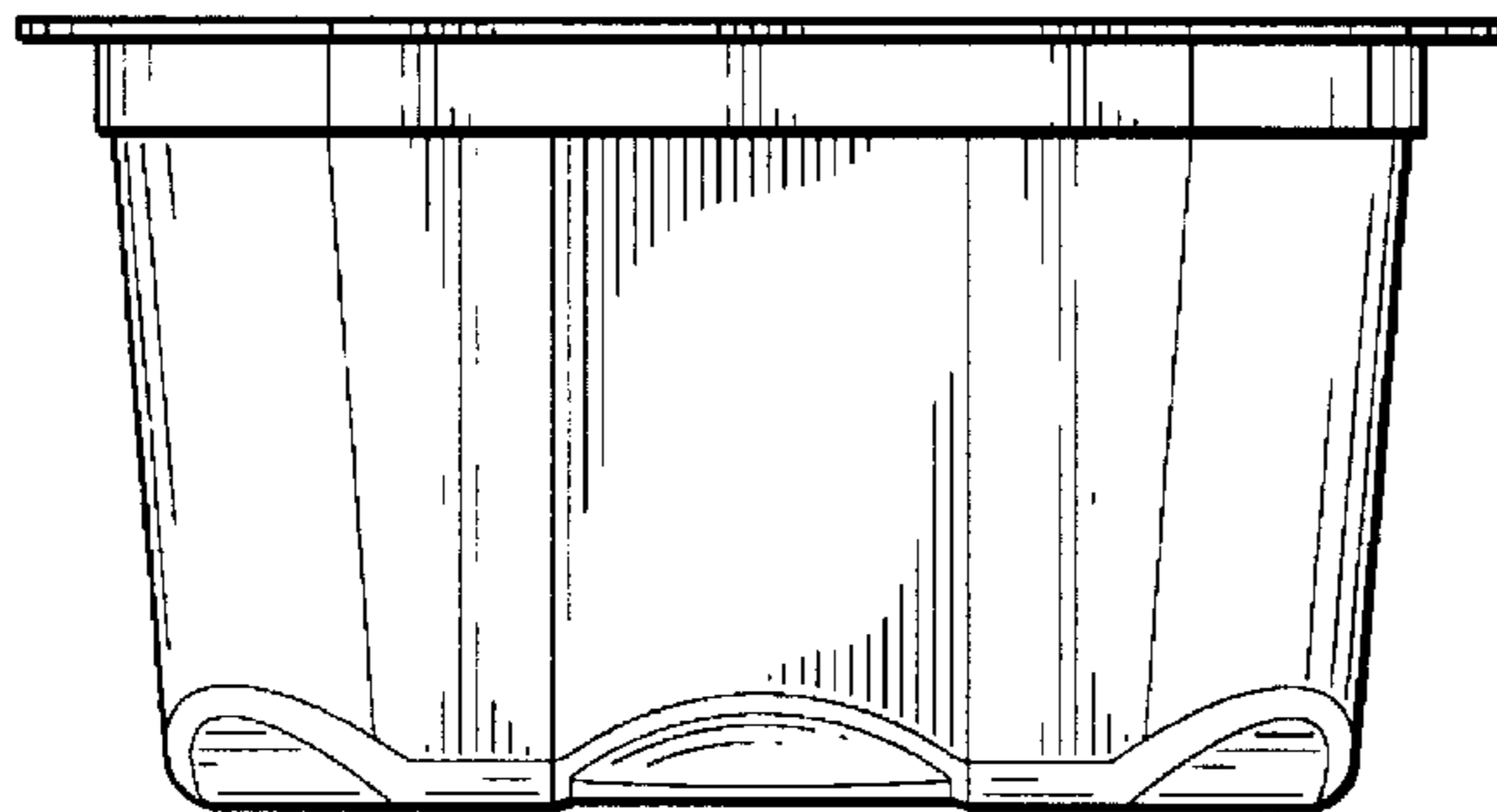


FIG. 3

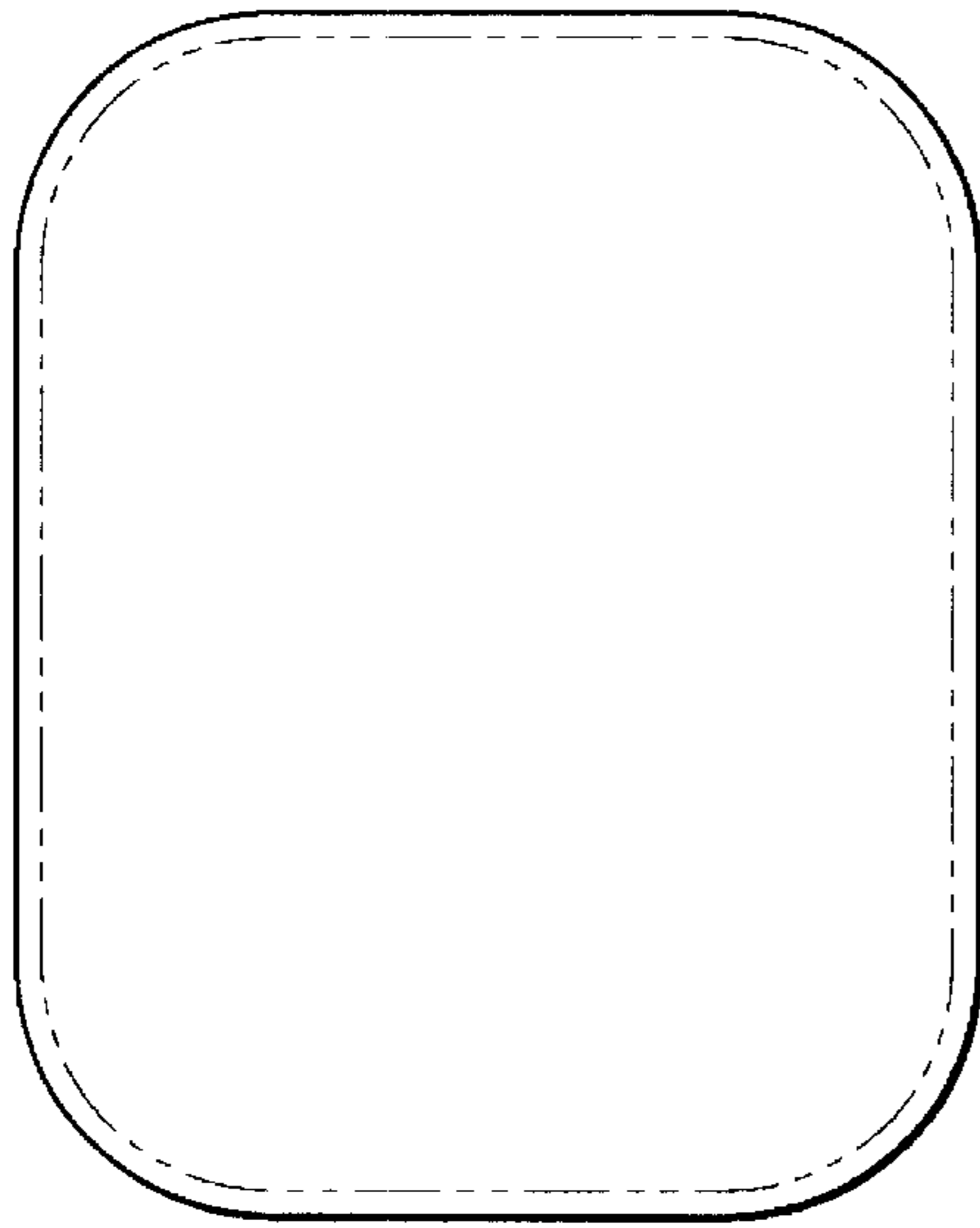


FIG. 4

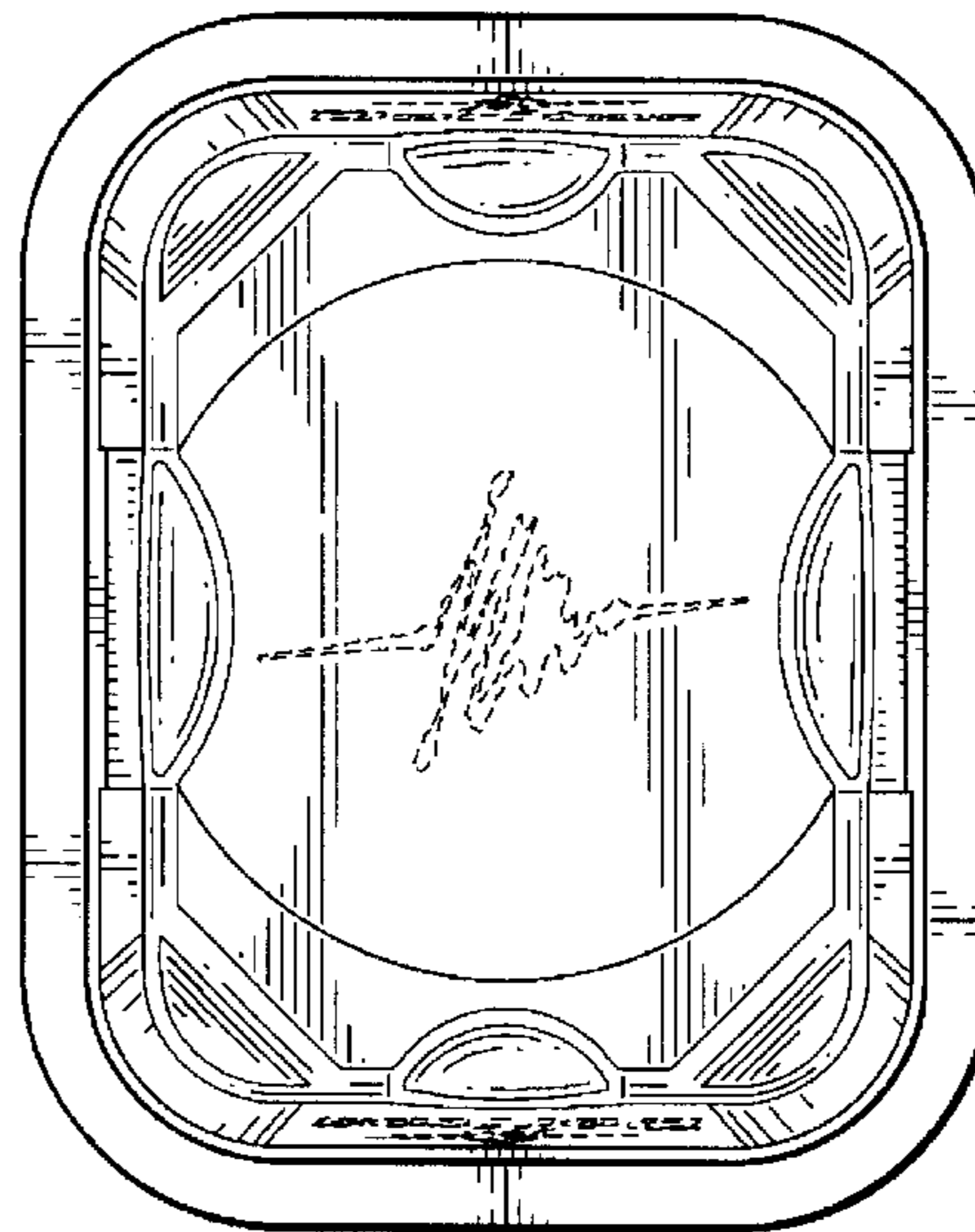


FIG. 5

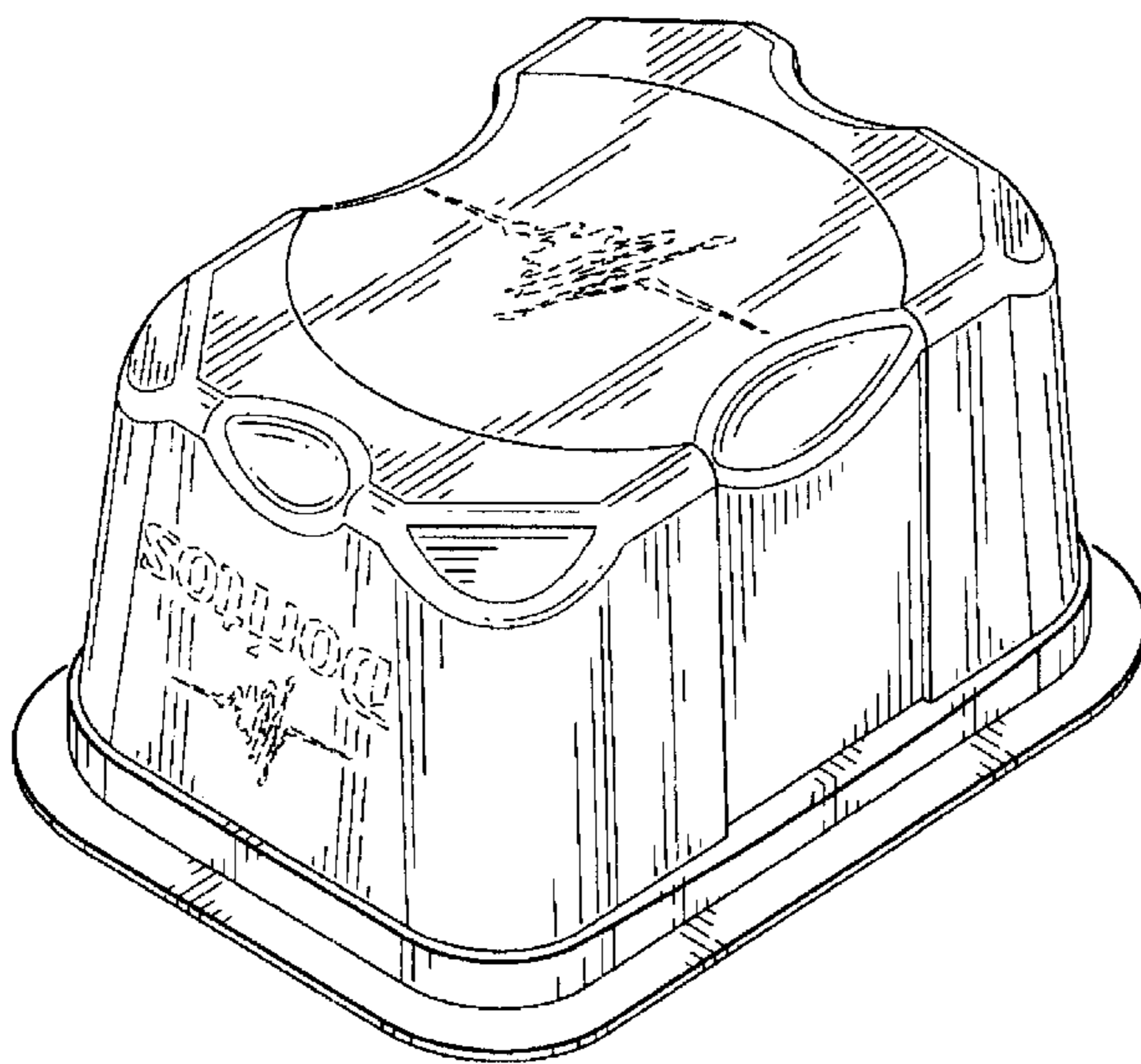


FIG. 6

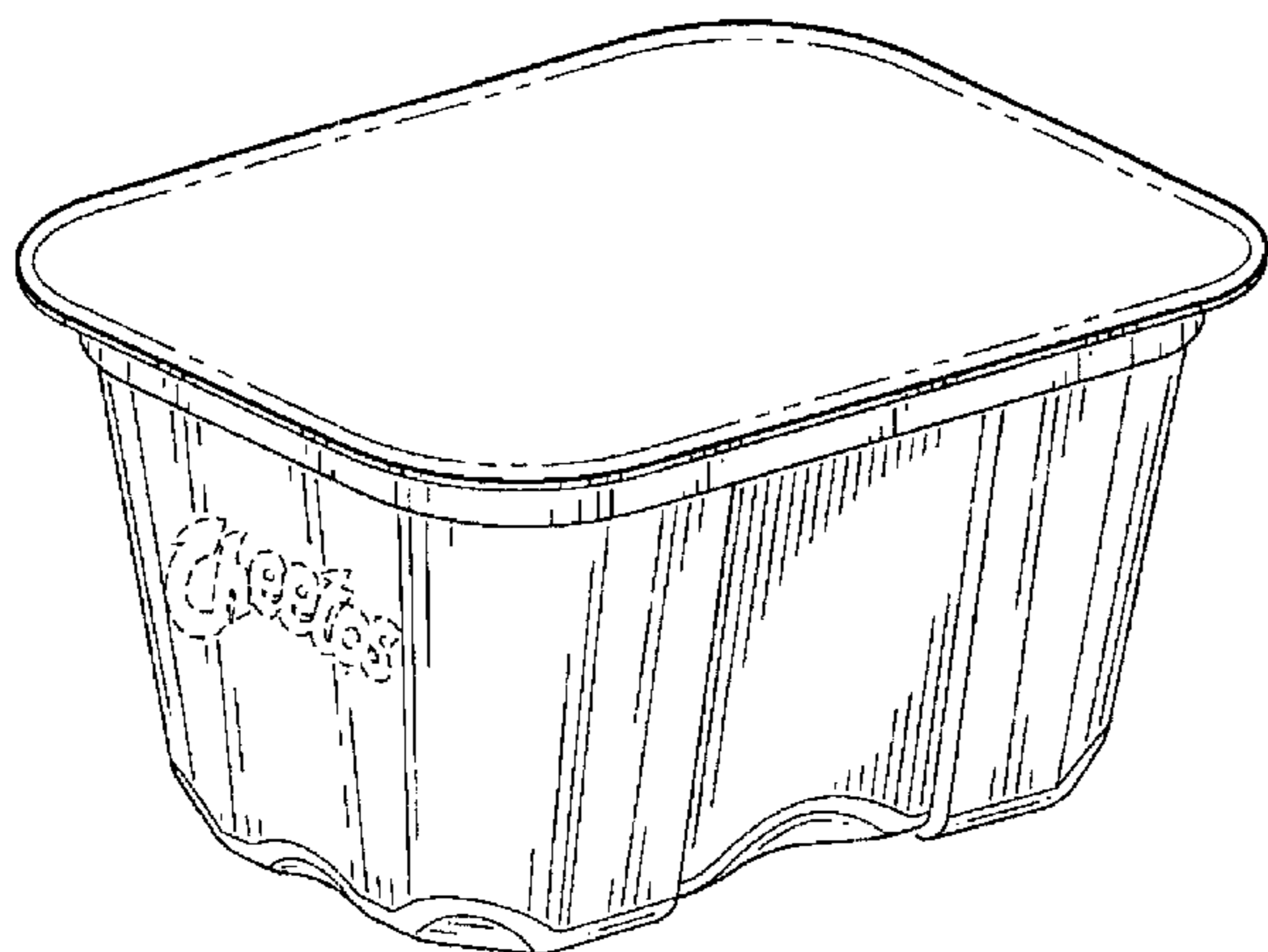


FIG. 7

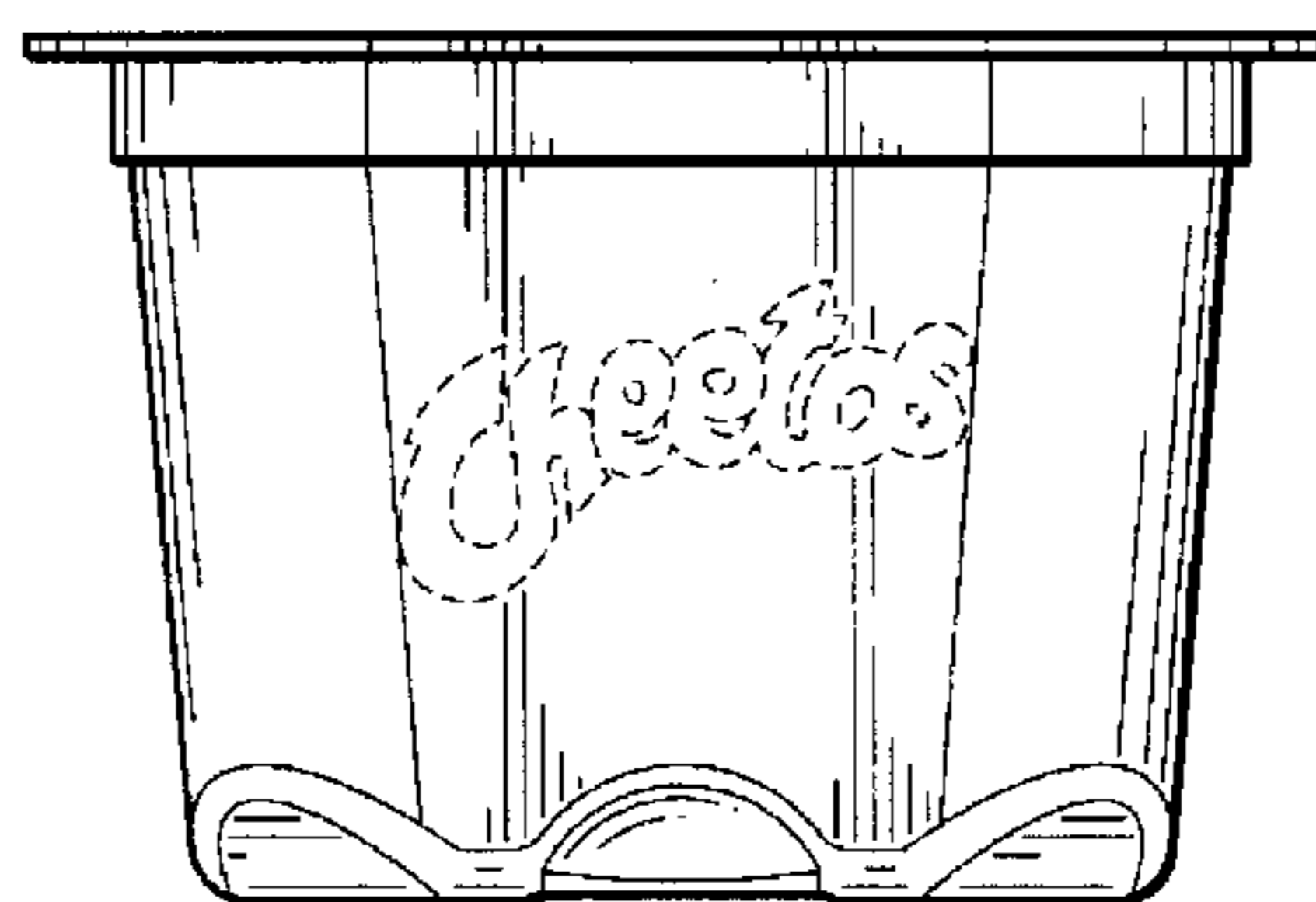


FIG. 8

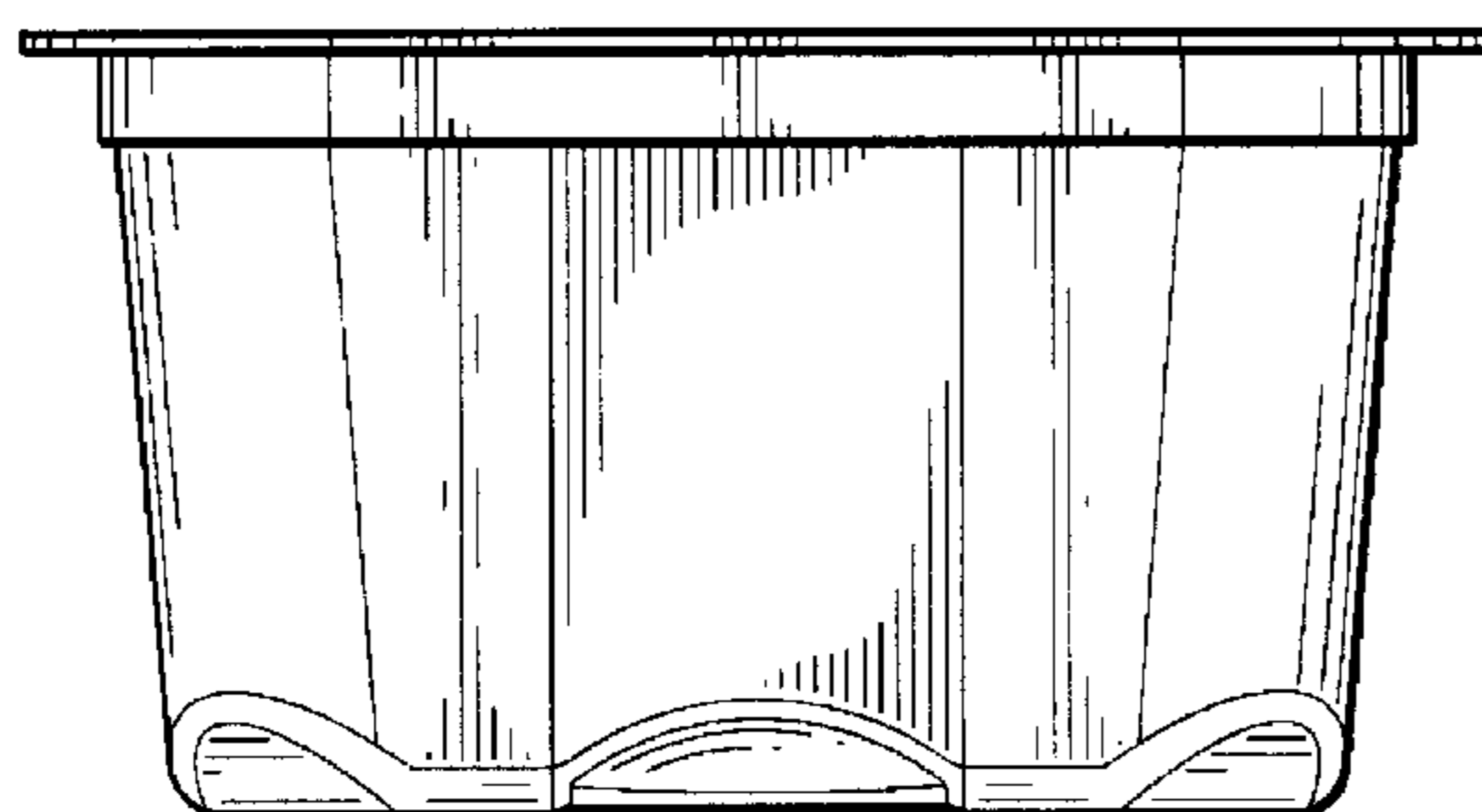


FIG. 9

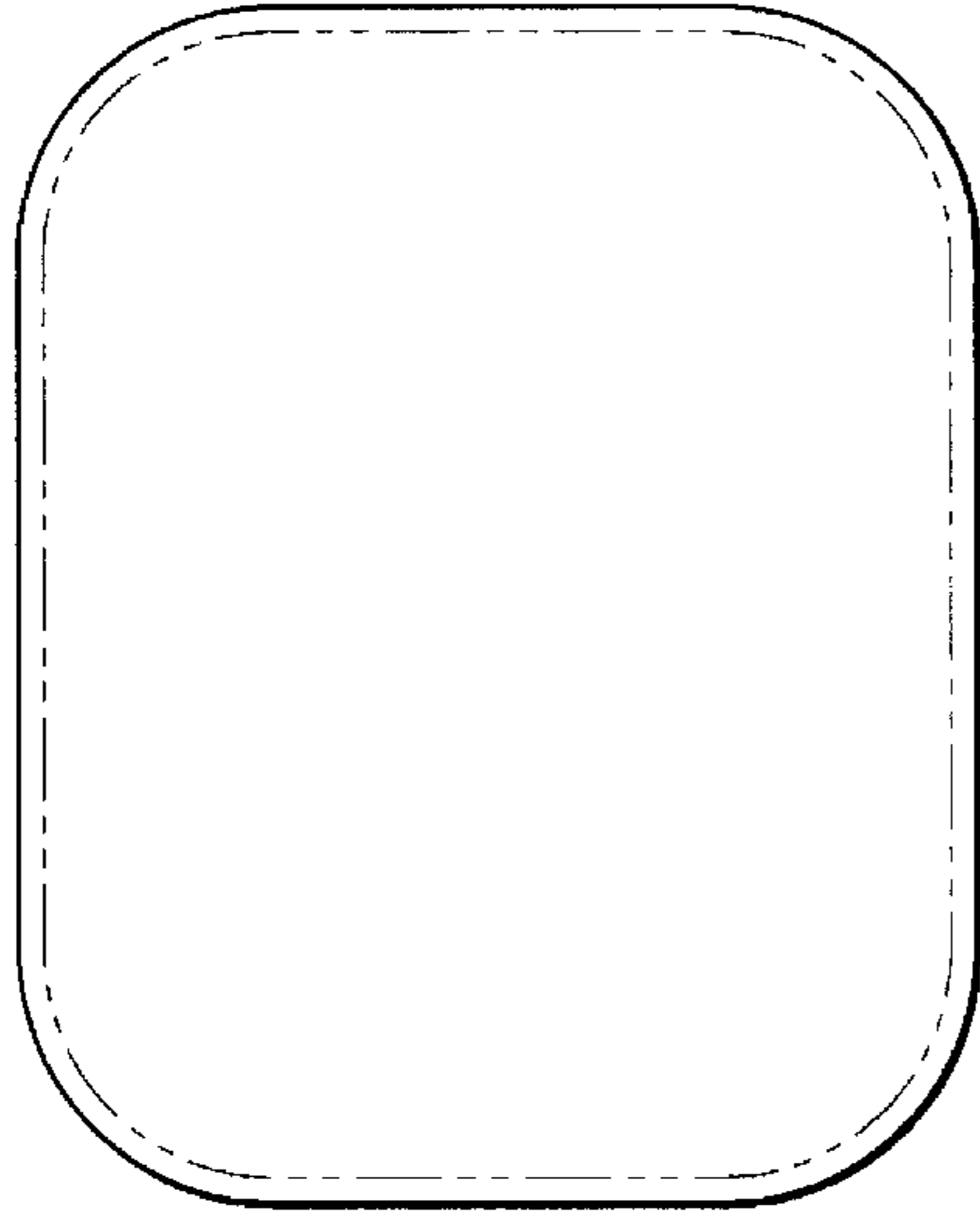


FIG. 10

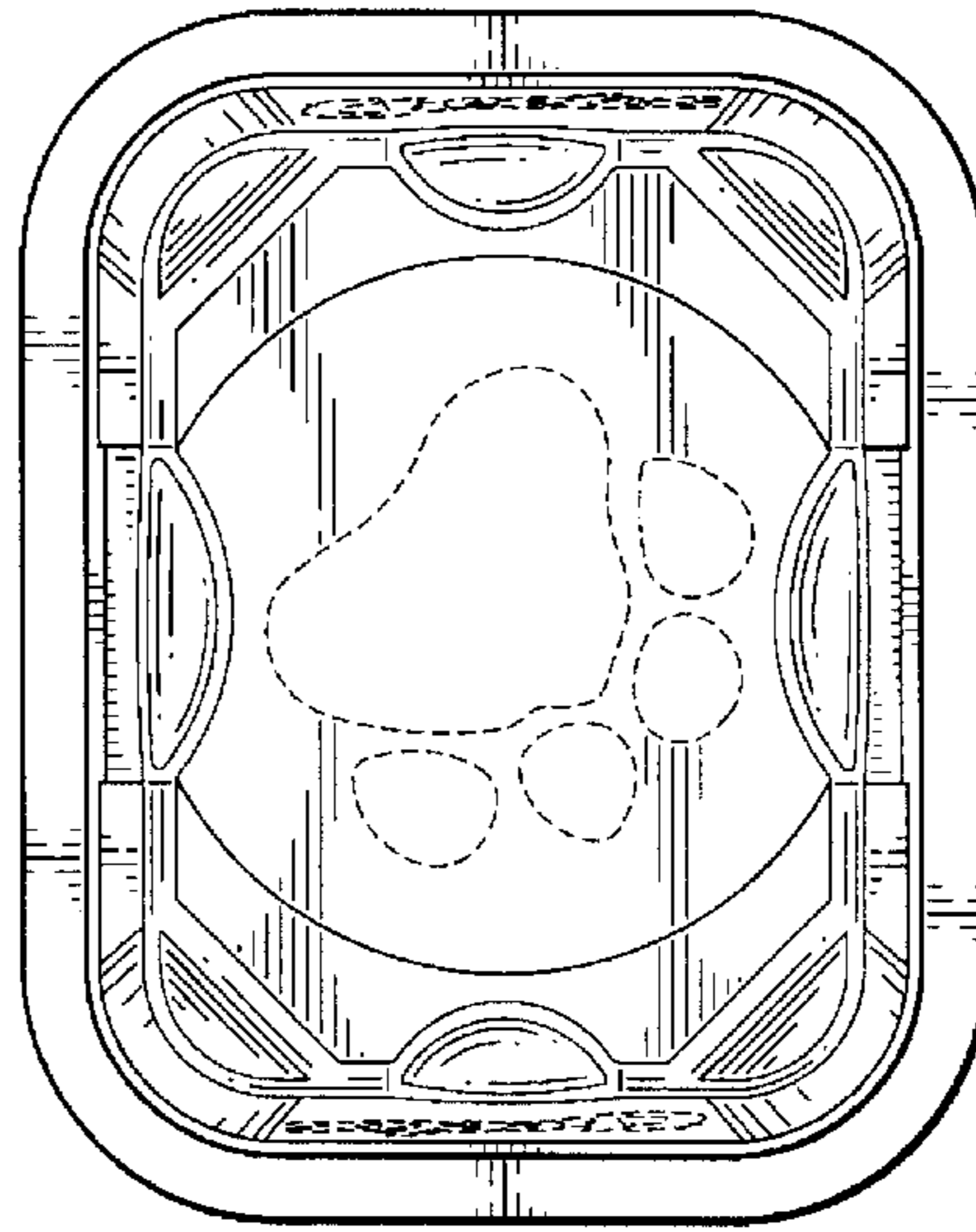


FIG. 11

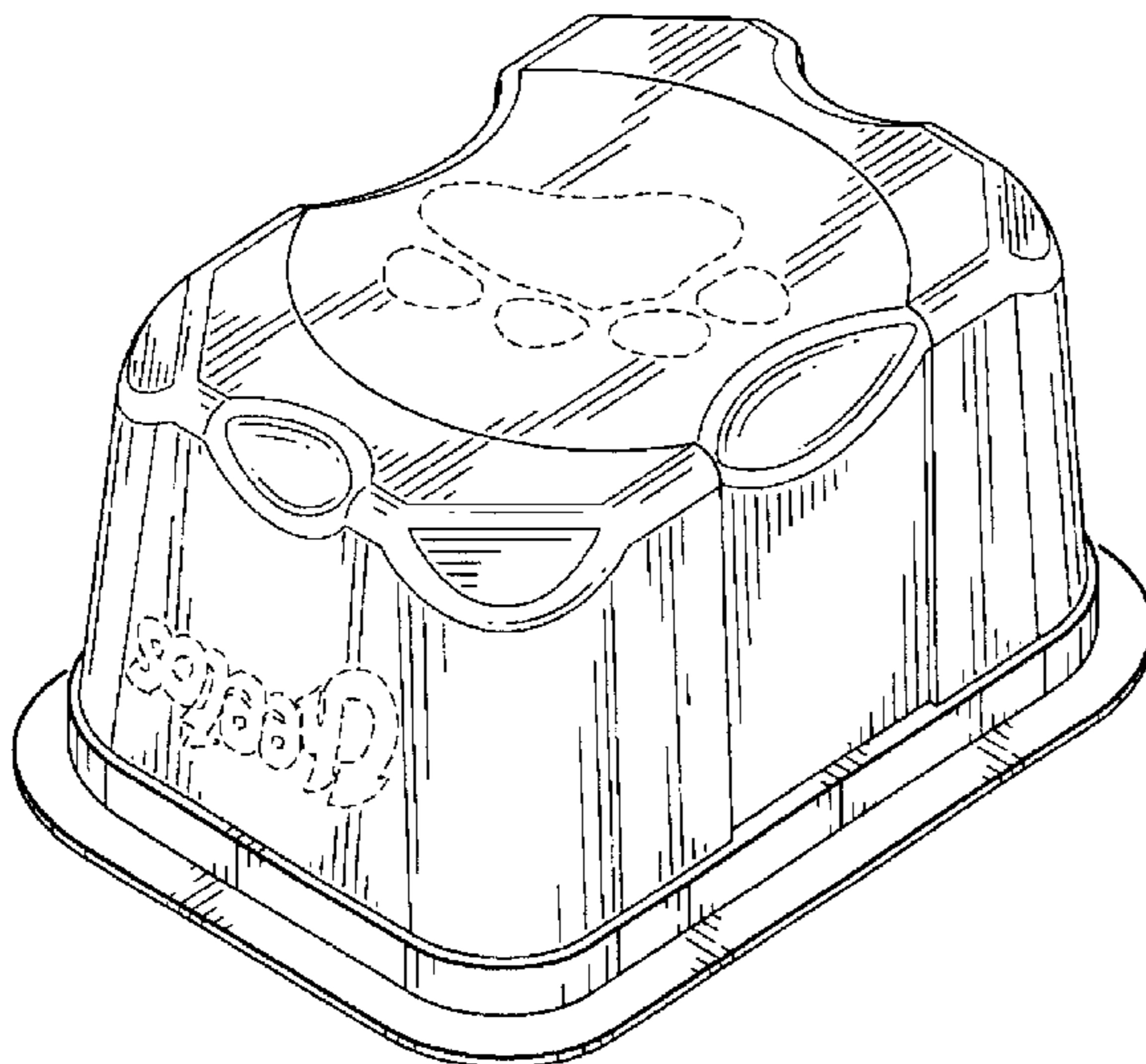


FIG. 12