



US00D548068S

(12) **United States Design Patent**
Mounce

(10) **Patent No.:** **US D548,068 S**

(45) **Date of Patent:** **** Aug. 7, 2007**

(54) **HATCLIP**

(76) **Inventor:** **Danny A. Mounce**, 108 Winding Way,
Suite J, Covington, KY (US) 41011

(**) **Term:** **14 Years**

(21) **Appl. No.:** **29/261,620**

(22) **Filed:** **Jun. 16, 2006**

Related U.S. Application Data

(62) Division of application No. 29/222,502, filed on Jan. 31, 2005.

(51) **LOC (8) Cl.** **08-08**

(52) **U.S. Cl.** **D8/395**

(58) **Field of Classification Search** D8/356,
D8/371, 394-396, 499, 53, 100, 365; D12/51;
D19/65, 90; D28/39, 40, 42; 24/546, 563,
24/910, 327, 334, DIG. 8, DIG. 9, DIG. 13,
24/DIG. 28; 248/74.2, 300, 301, 316.7,
248/229.26

See application file for complete search history.

(56) **References Cited**

U.S. PATENT DOCUMENTS

609,486 A	8/1898	Wilson	
2,153,611 A	4/1939	Cavanagh	
2,586,740 A	2/1952	Swanson	
3,343,230 A	9/1967	Darvie	
3,465,474 A	9/1969	Gardel et al.	
3,487,744 A *	1/1970	Montana	411/346
3,596,289 A	8/1971	Adickes	
4,020,532 A	5/1977	Lichter	
4,098,509 A	7/1978	Van Krevelen	
4,406,040 A	9/1983	Cannone	
D291,532 S *	8/1987	Hill	D8/395
4,905,406 A	3/1990	Warner	
5,246,749 A	9/1993	Handzlik	
5,462,471 A	10/1995	Power-Fardy	
5,530,970 A	7/1996	Knutson	

D391,152 S *	2/1998	Lane et al.	D8/395
D393,417 S *	4/1998	Glickman et al.	D8/382
5,829,103 A *	11/1998	Allen	24/11 R
5,881,391 A	3/1999	Mullaney	

(Continued)

Primary Examiner—Louis S. Zarfes

Assistant Examiner—John Windmuller

(74) *Attorney, Agent, or Firm*—Dinsmore & Shohl LLP

(57) **CLAIM**

The ornamental design for a hatclip, as shown and described.

DESCRIPTION

FIG. 1 is an upper front perspective view of a hatclip according to the present invention;

FIG. 2 is an upper rear perspective view of the hatclip of FIG. 1;

FIG. 3 is a top plan view of the hatclip of FIG. 1;

FIG. 4 is a front elevational view of the hatclip of FIG. 1;

FIG. 5 is a rear elevational view of the hatclip of FIG. 1;

FIG. 6 is a bottom plan view of the hatclip of FIG. 1;

FIG. 7 is a left side elevational view of the hatclip of FIG. 1;

FIG. 8 is a right side elevational view of the hatclip of FIG. 1;

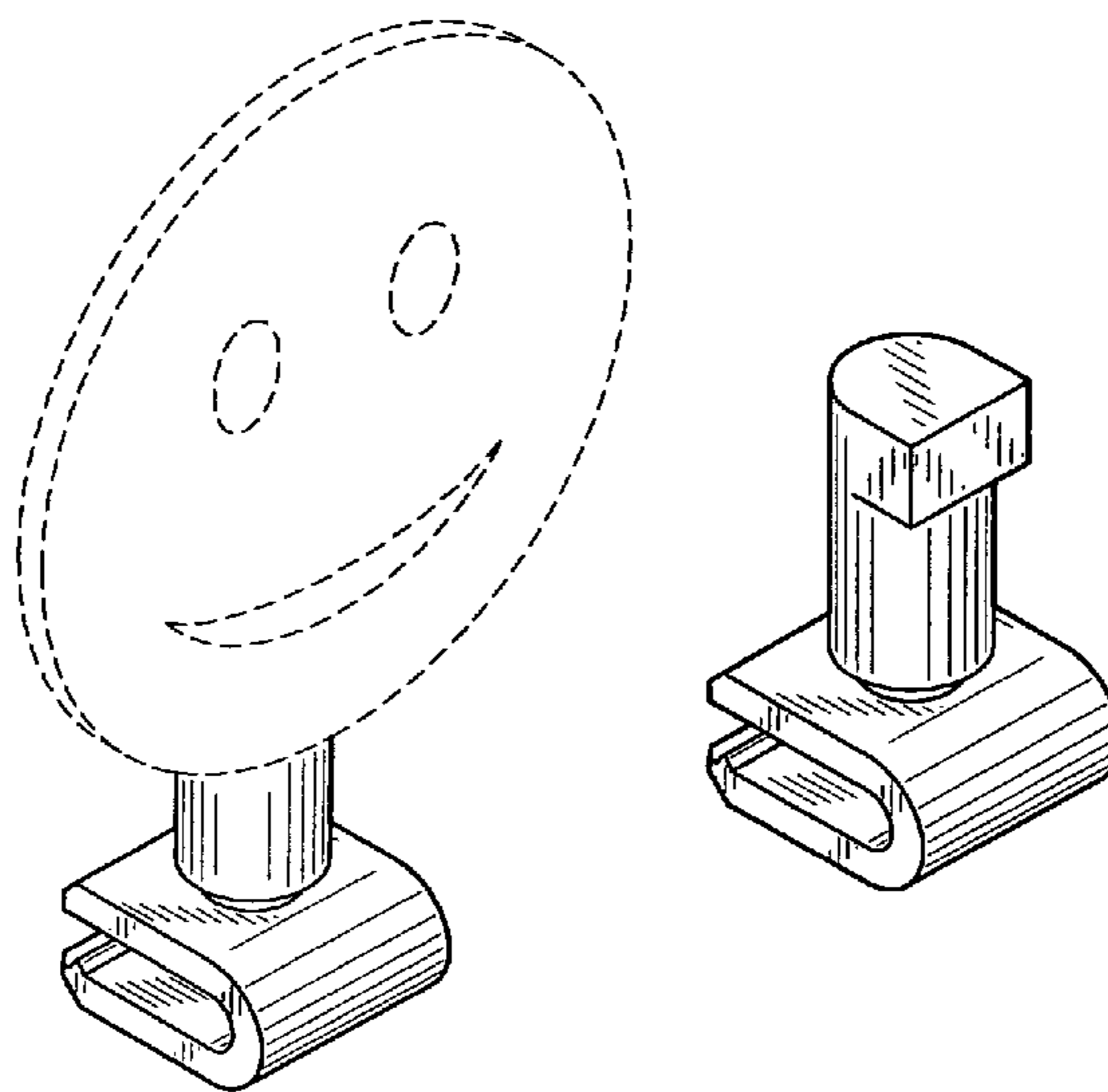
FIG. 9 is an upper front perspective view of a hatclip according to the present invention;

FIG. 10 is a top plan view of the hatclip of FIGS. 1 and 9; and,

FIG. 11 is a front elevational view of the hatclip of FIGS. 1 and 9.

The broken line portions of the disclosure are for illustrative purposes only and form no part of the claimed design.

1 Claim, 5 Drawing Sheets



US D548,068 S

Page 2

U.S. PATENT DOCUMENTS

5,896,585 A 4/1999 Stazo
5,903,925 A 5/1999 Engebretson
6,168,286 B1 1/2001 Duffy
6,206,543 B1 3/2001 Henry
6,481,060 B1 11/2002 Tsai

D472,798 S * 4/2003 Kalbach D8/396
D476,881 S * 7/2003 Niwa D8/395
6,694,526 B1 2/2004 Tate
D510,019 S * 9/2005 Davis D8/395
2003/0051317 A1 3/2003 Preziosi et al.

* cited by examiner

FIG. 1

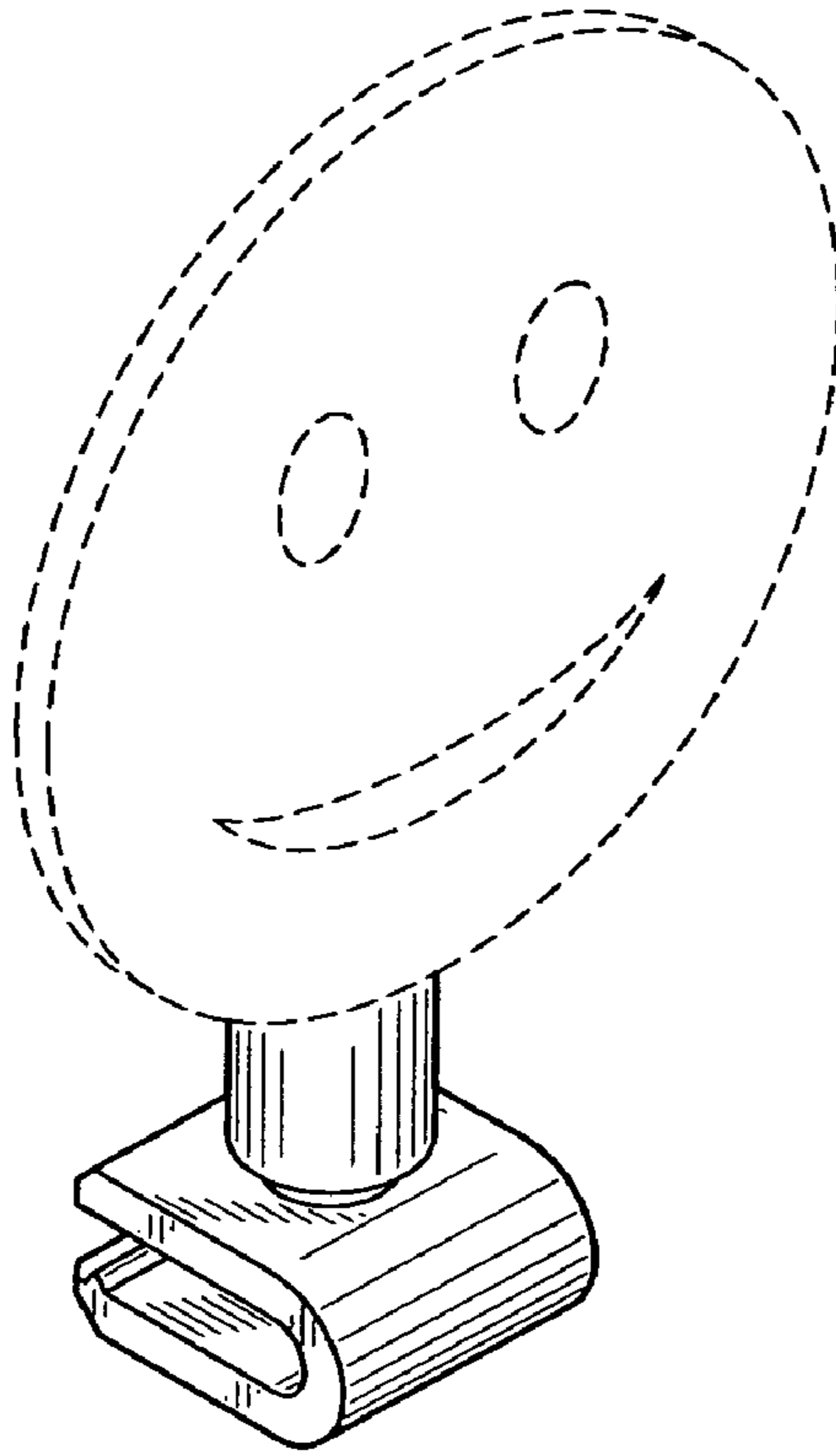
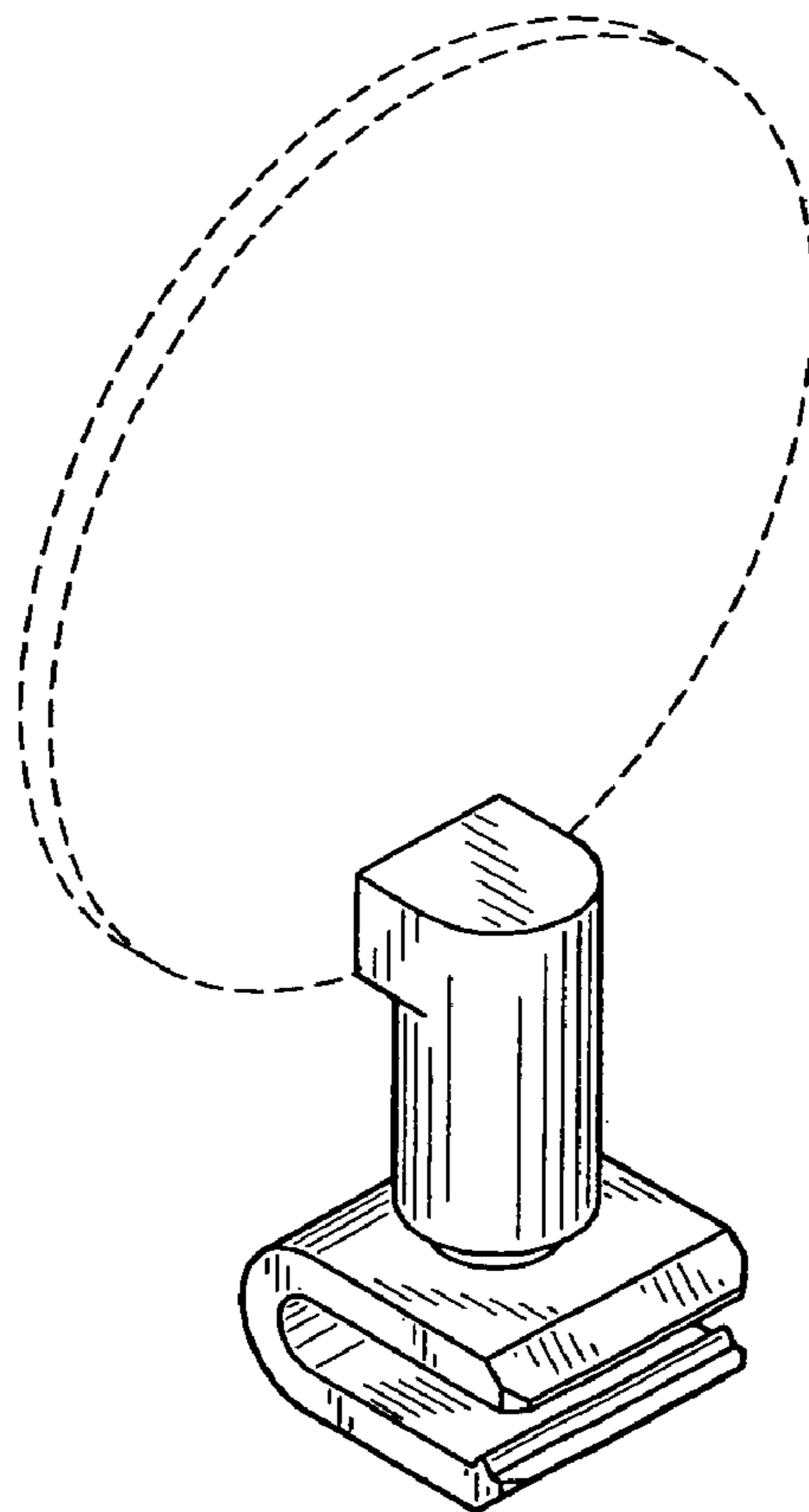


FIG. 2



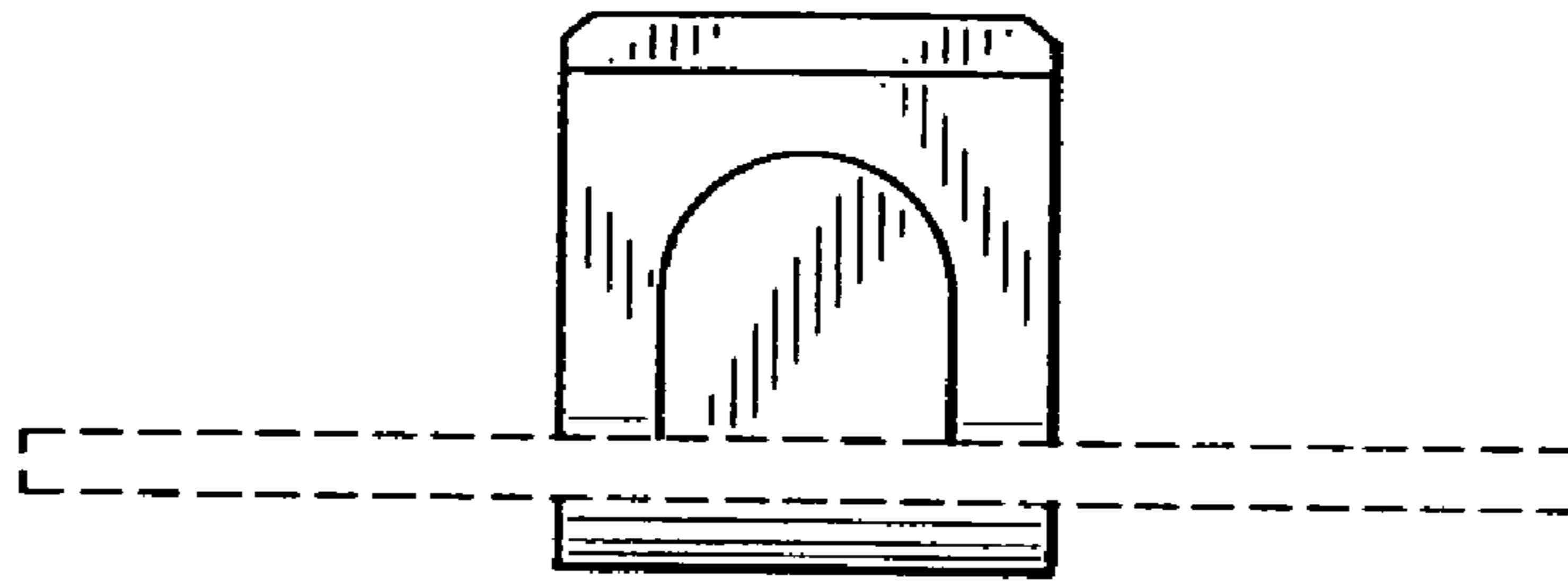


FIG. 3

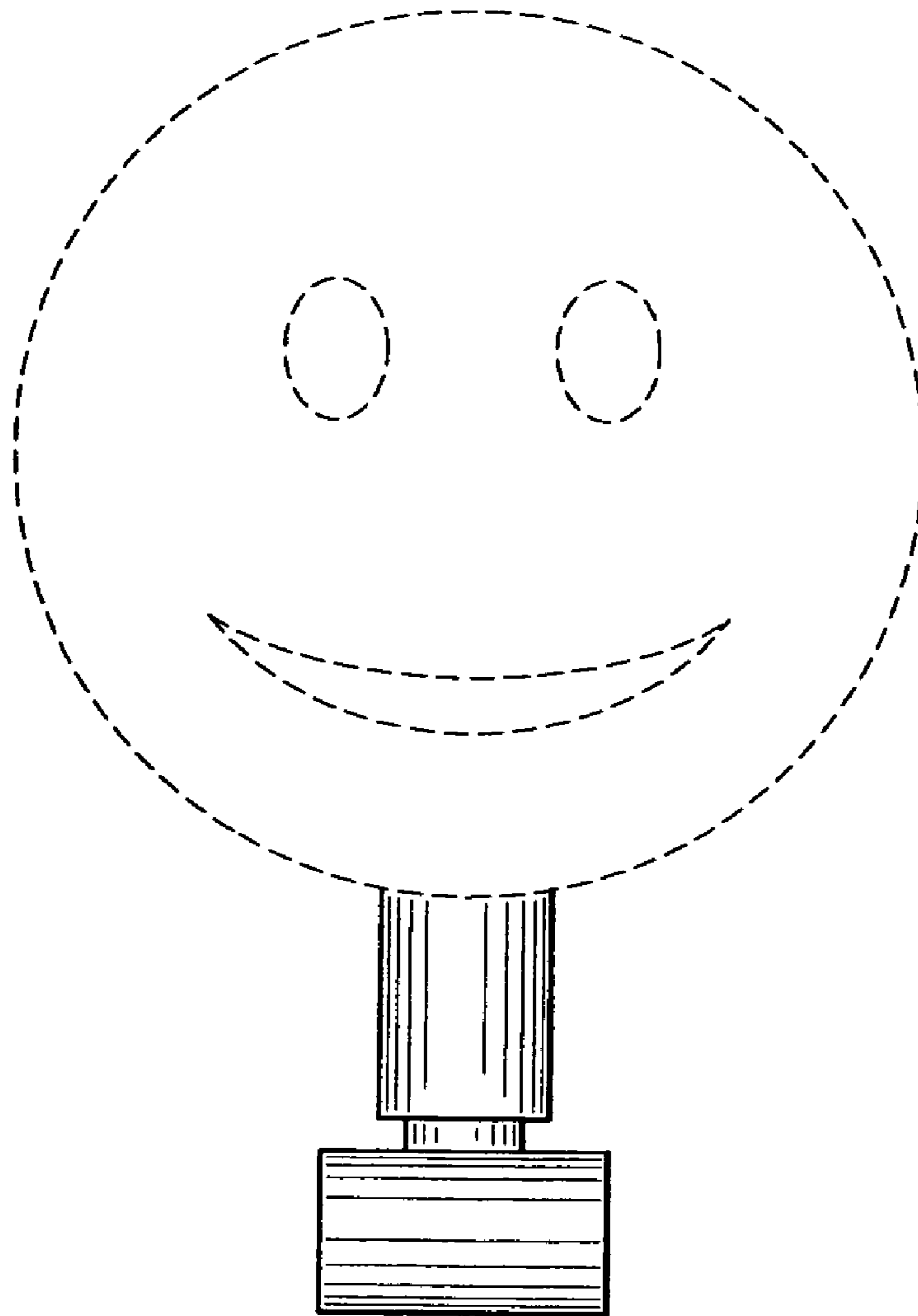


FIG. 4

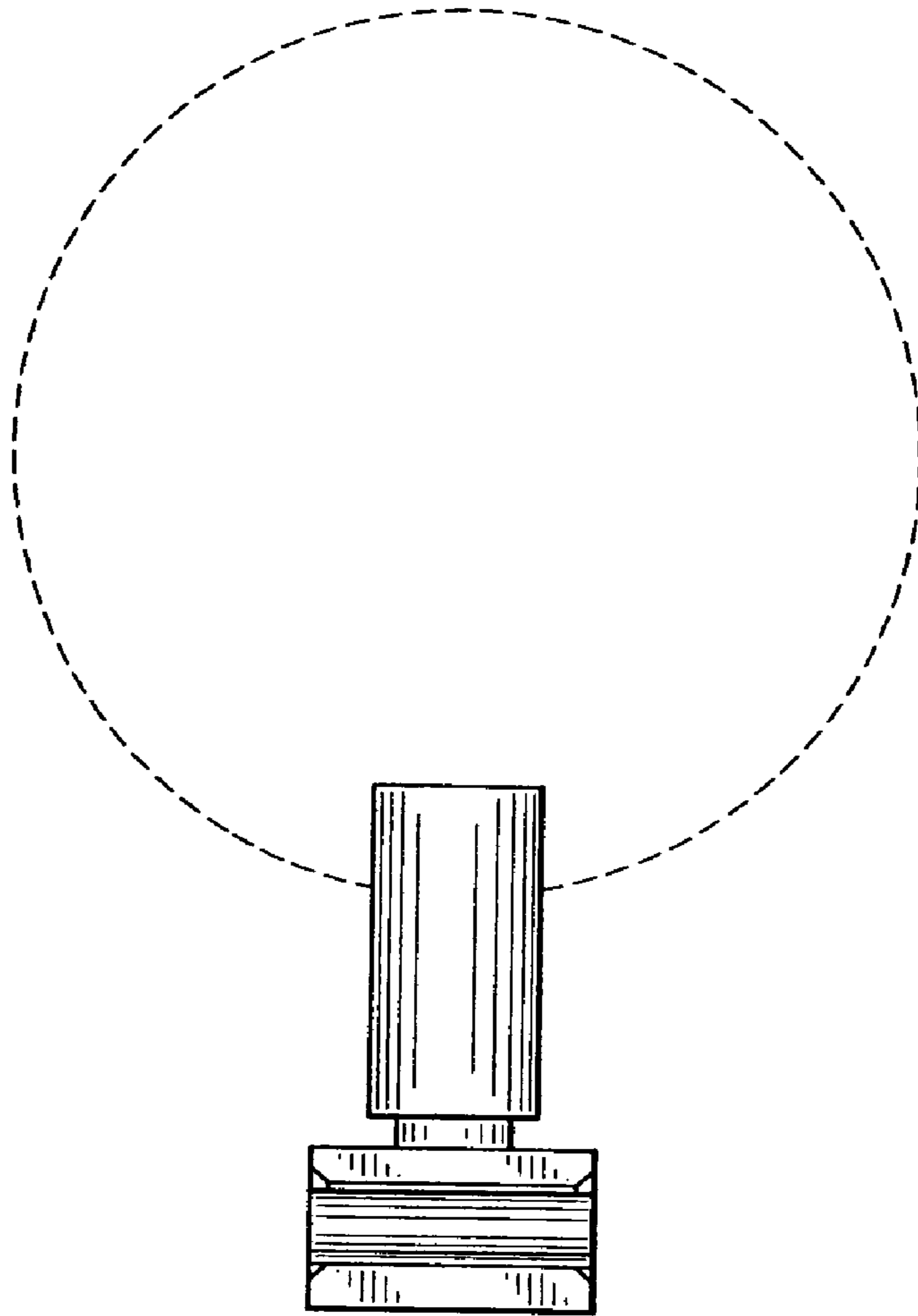


FIG. 5

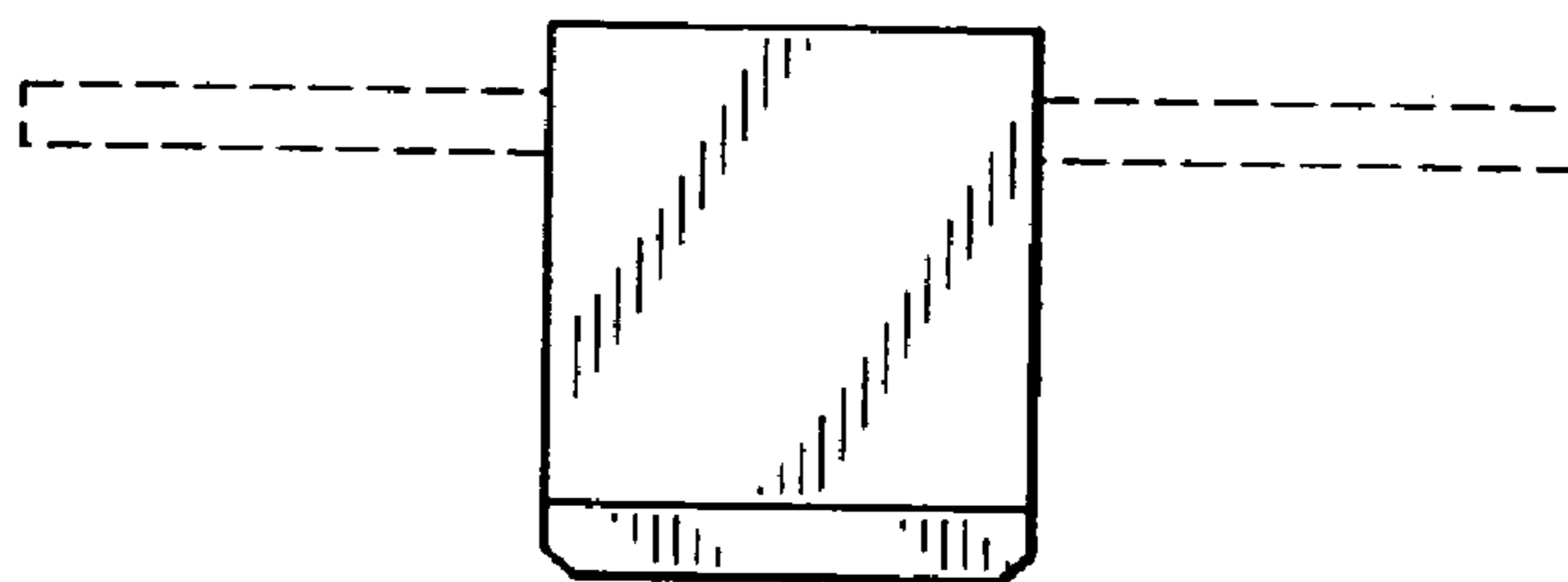


FIG. 6

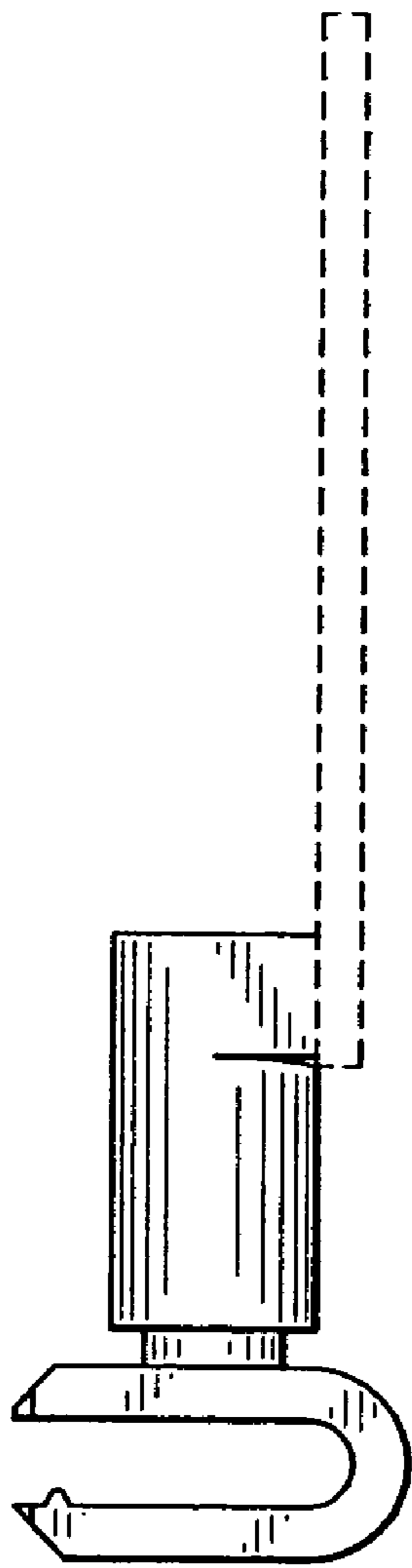


FIG. 7

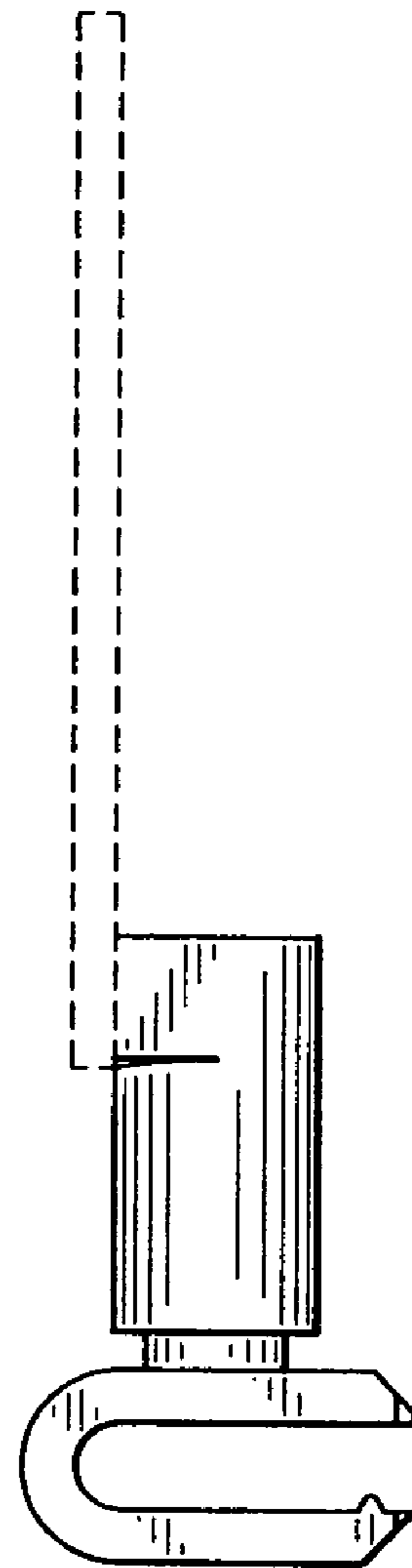


FIG. 8

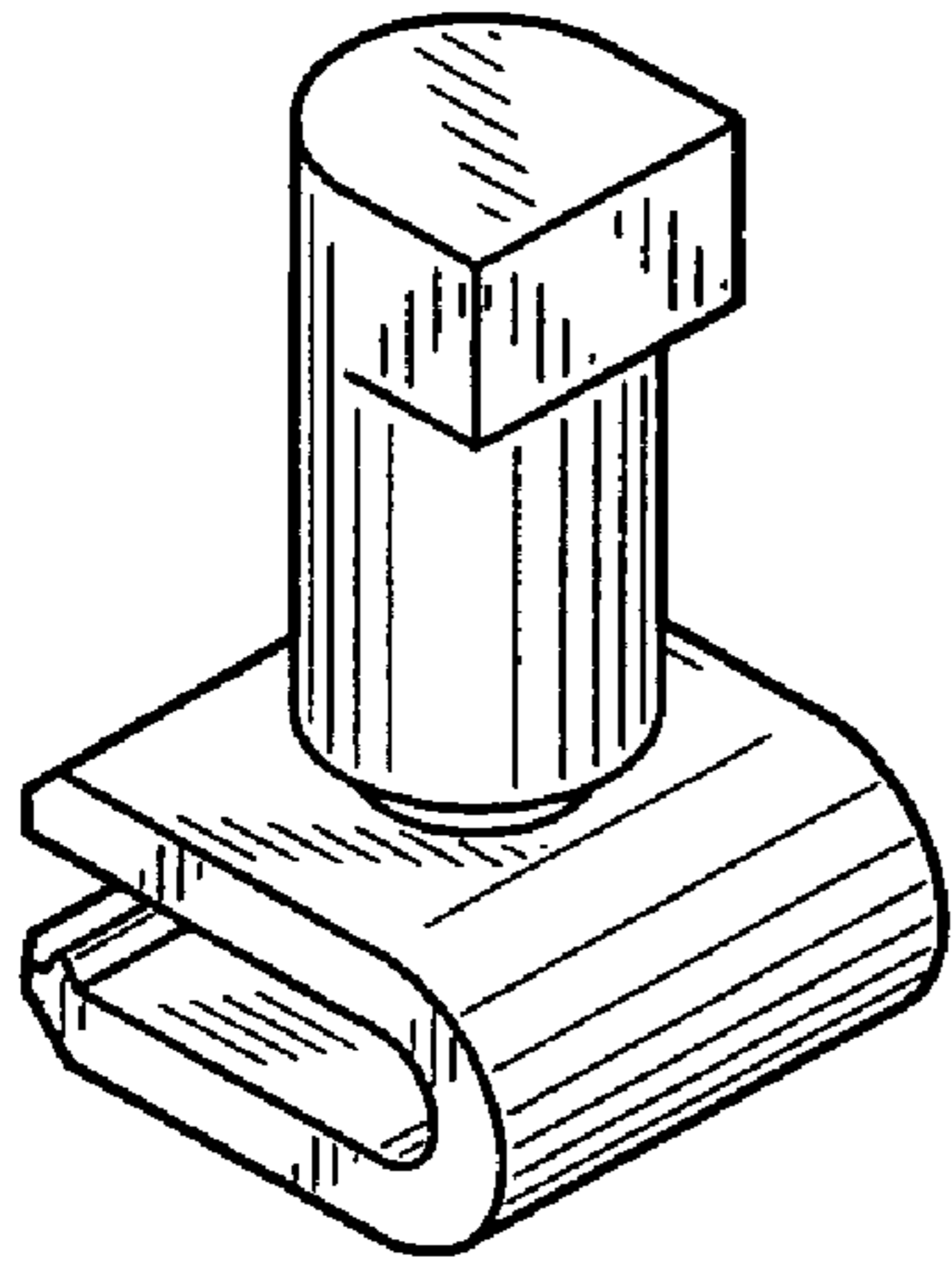


FIG. 9

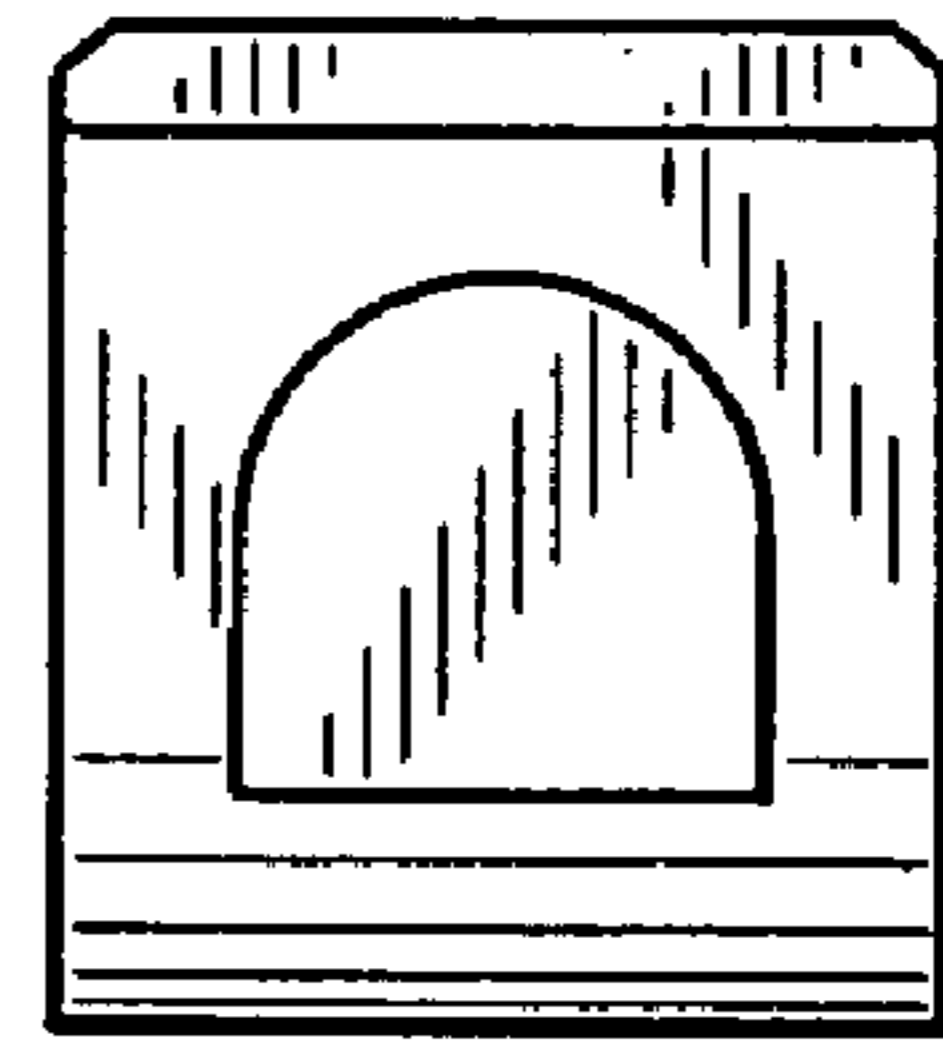


FIG. 10

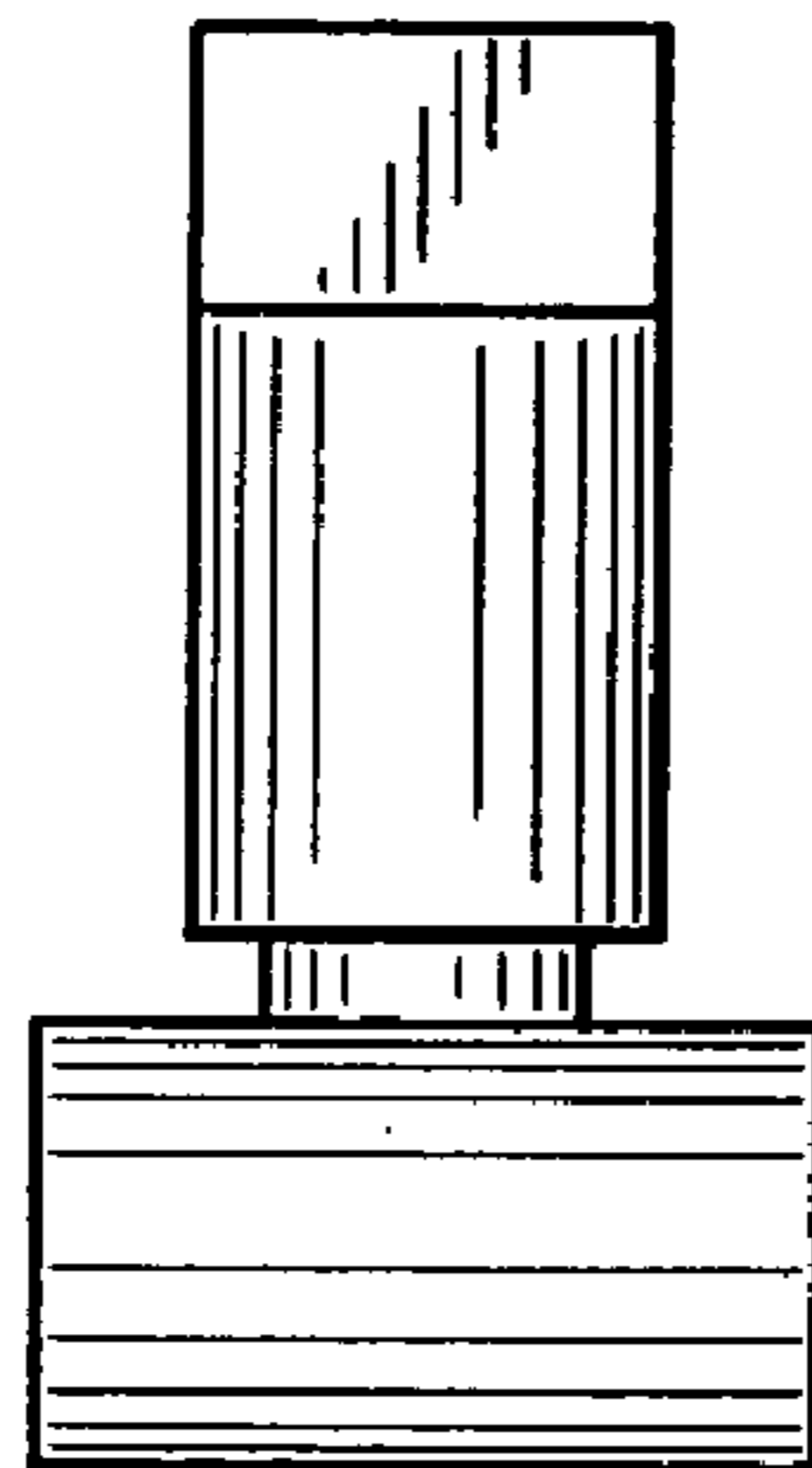


FIG. 11