

US00D548066S

(12) **United States Design Patent**
Welch

(10) **Patent No.:** **US D548,066 S**

(45) **Date of Patent:** **** Aug. 7, 2007**

(54) **SHELF SUPPORT BRACKET**

(75) Inventor: **Robert J. Welch**, Dallas, PA (US)

(73) Assignee: **Metro Industries, Inc.**, Reno, NV (US)

(**) Term: **14 Years**

(21) Appl. No.: **29/226,903**

(22) Filed: **Apr. 4, 2005**

(51) **LOC (8) Cl.** **08-05**

(52) **U.S. Cl.** **D8/381**

(58) **Field of Classification Search** D8/380-381;
248/235, 237, 245, 247; 211/90.01

See application file for complete search history.

(56) **References Cited**

U.S. PATENT DOCUMENTS

918,415	A *	4/1909	Berger	248/247
2,859,879	A *	11/1958	Rogers et al.	211/90.01
2,908,471	A *	10/1959	Hollansworth	248/247
3,669,395	A *	6/1972	Gehrke	248/235
3,695,569	A *	10/1972	Pullan	248/235
5,316,253	A *	5/1994	Flathau et al.	248/235

OTHER PUBLICATIONS

Sketch of prior art shelf of unknown origin commercially available prior to Apr. 4, 2004.
Gladiator Garage Works Wire Shelf (Admitted Prior Art).

* cited by examiner

Primary Examiner—Holly H. Baynham

(74) *Attorney, Agent, or Firm*—Fitzpatrick, Cella, Harper & Scinto

(57) **CLAIM**

I claim the ornamental design for a shelf support bracket, as shown and described.

DESCRIPTION

FIG. 1 is a perspective view from the front and left side of a shelf support bracket in accordance with the present invention.

FIG. 2 is a top plan view of the shelf support bracket in accordance with the present invention;

FIG. 3 is a front elevational view of the shelf support bracket in accordance with the present invention;

FIG. 4 is a left side elevational view of the shelf support bracket in accordance with the present invention;

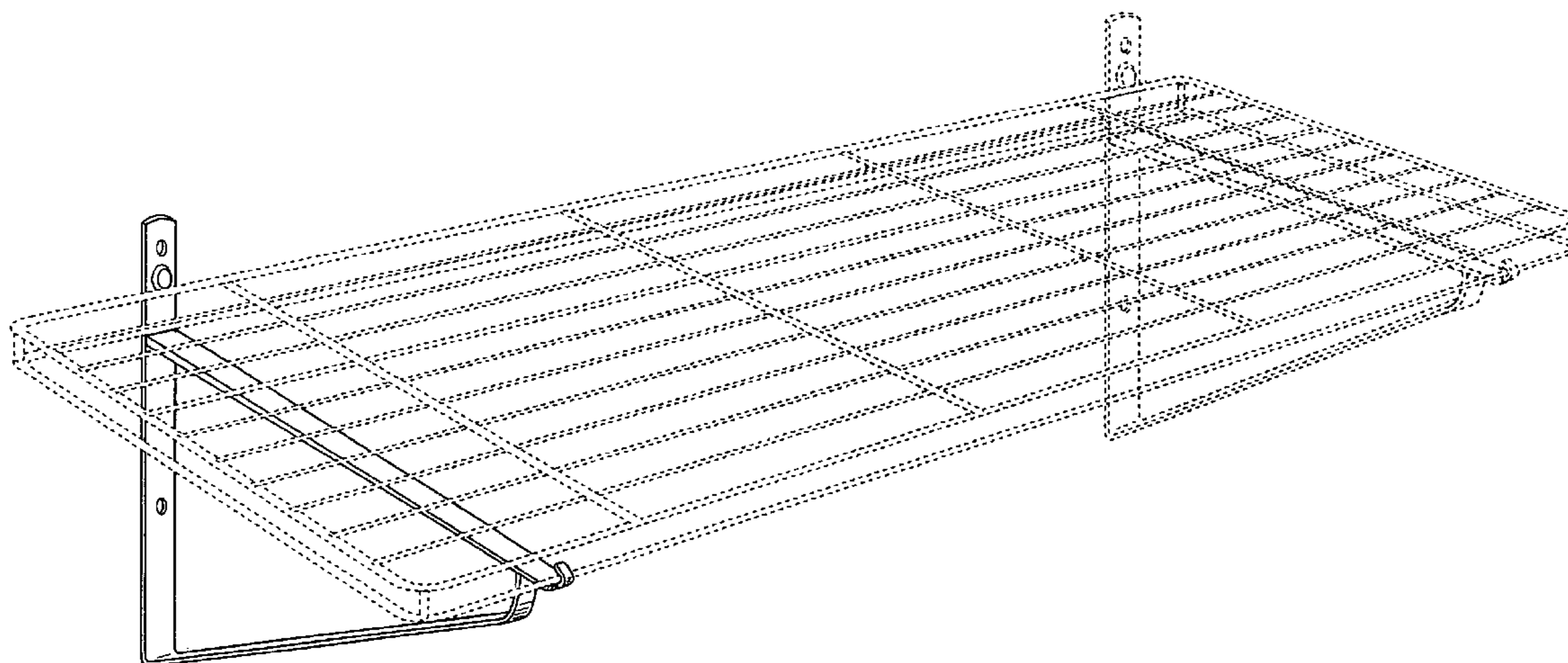
FIG. 5 is a right side elevational view of the shelf support bracket in accordance with the present invention;

FIG. 6 is a bottom plan view of the shelf support bracket in accordance with the present invention; and,

FIG. 7 is a rear elevational view of the shelf support bracket in accordance with the present invention.

The broken line showing of an additional shelf support and shelf are for illustrative purposes only and forms no part of the claimed design.

1 Claim, 4 Drawing Sheets



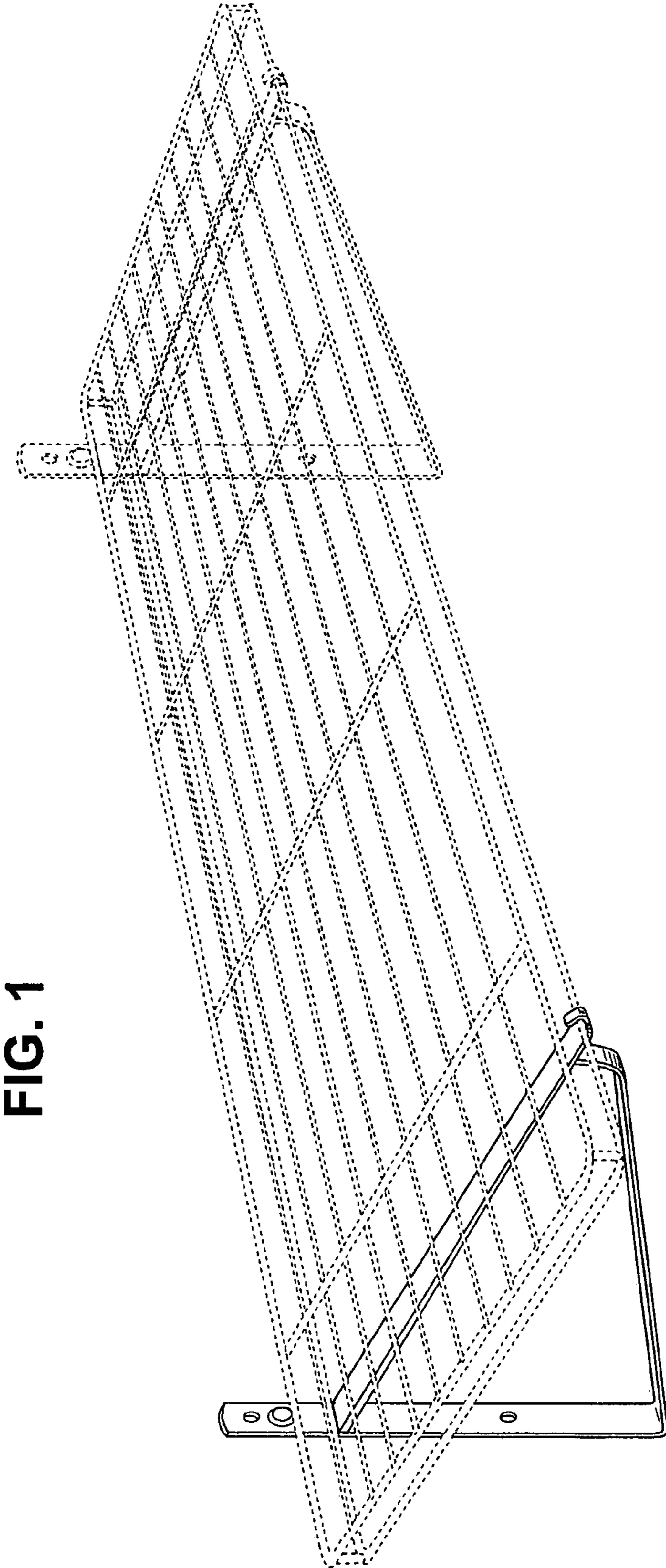


FIG. 1

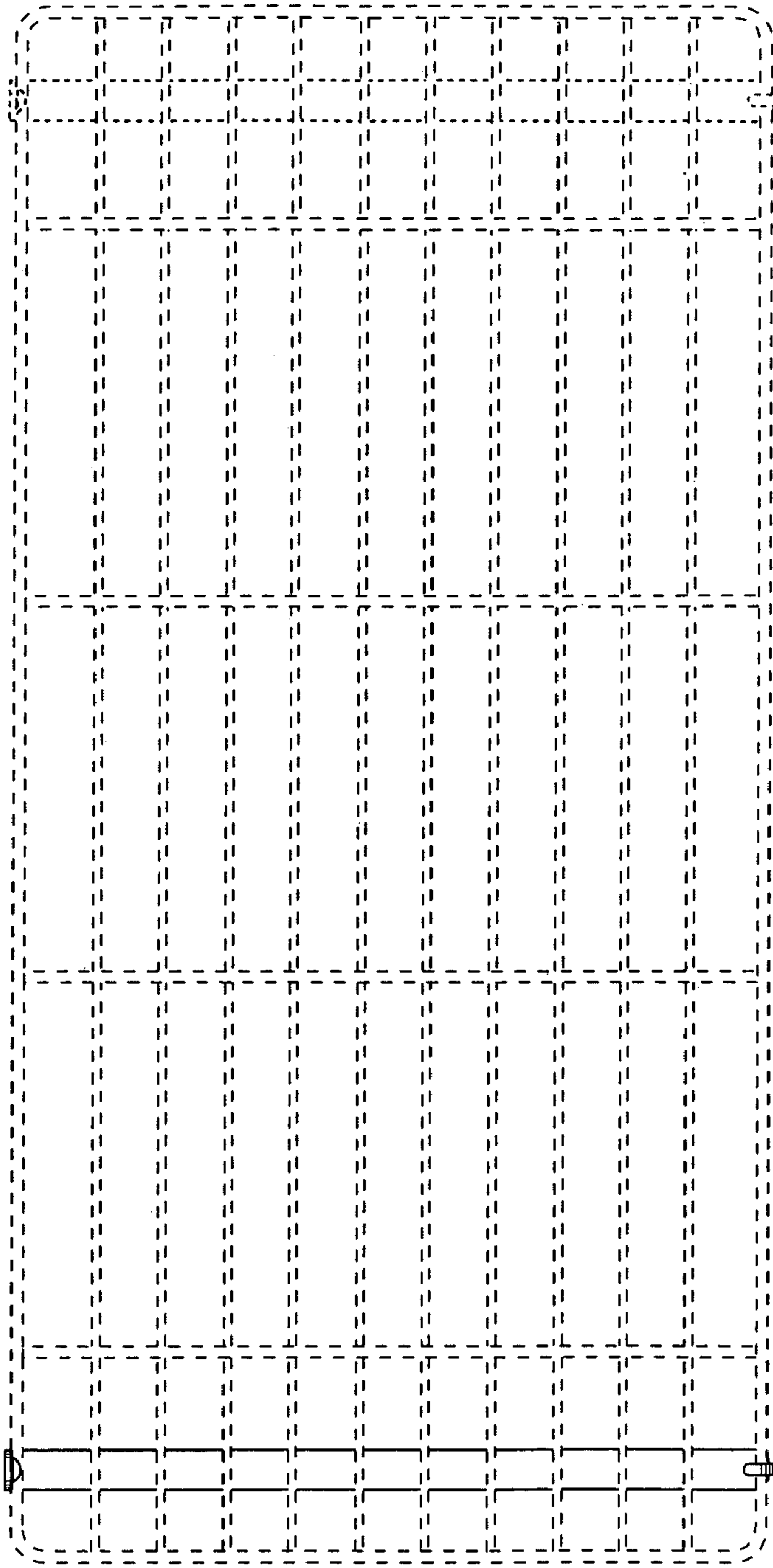


FIG. 2

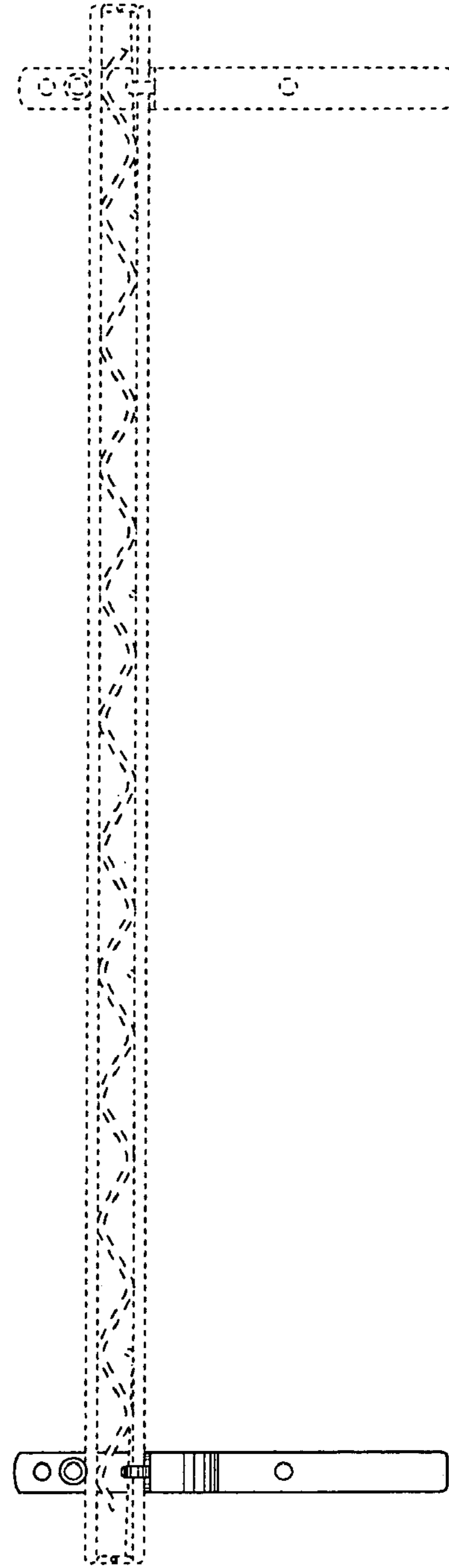


FIG. 3

FIG. 4

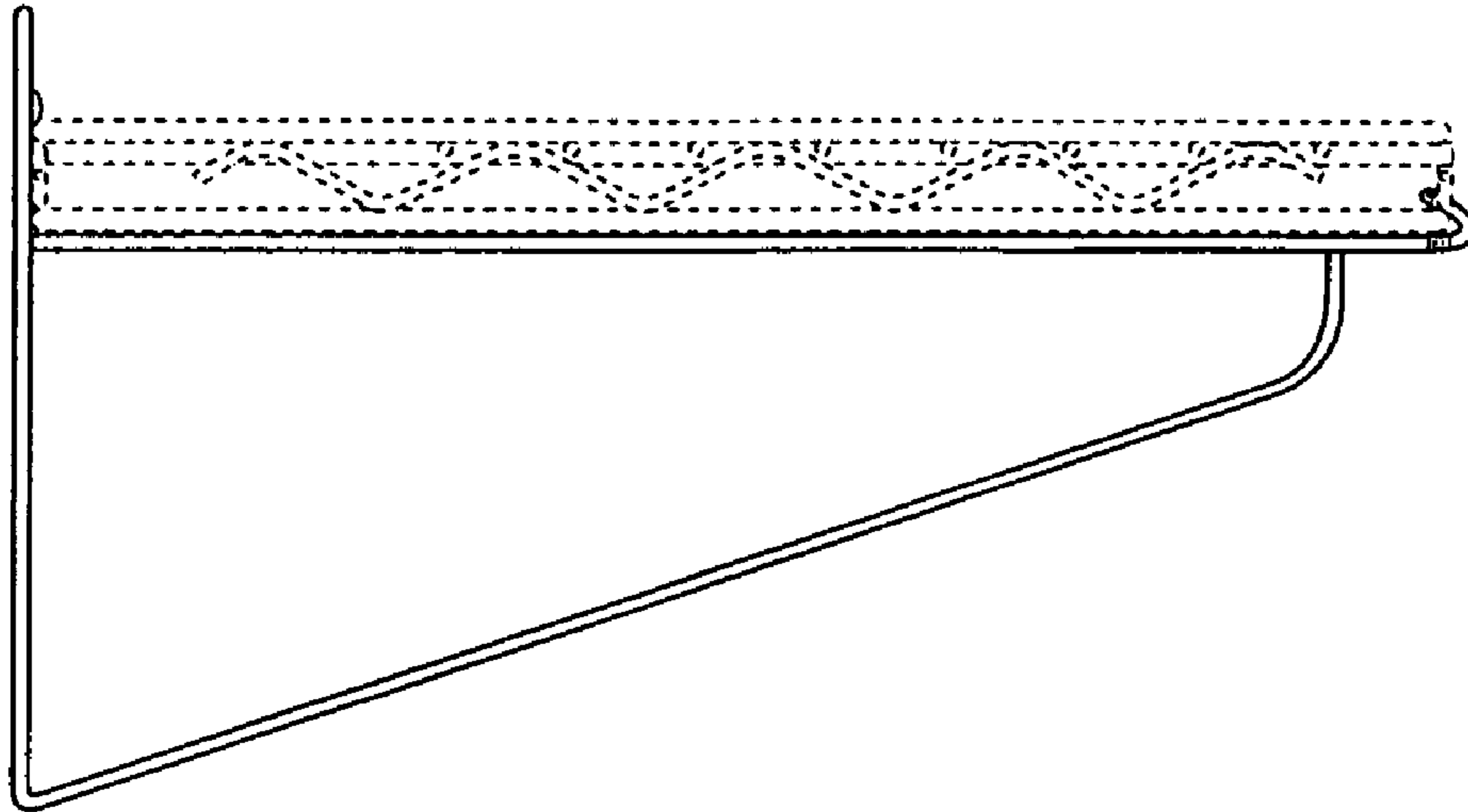
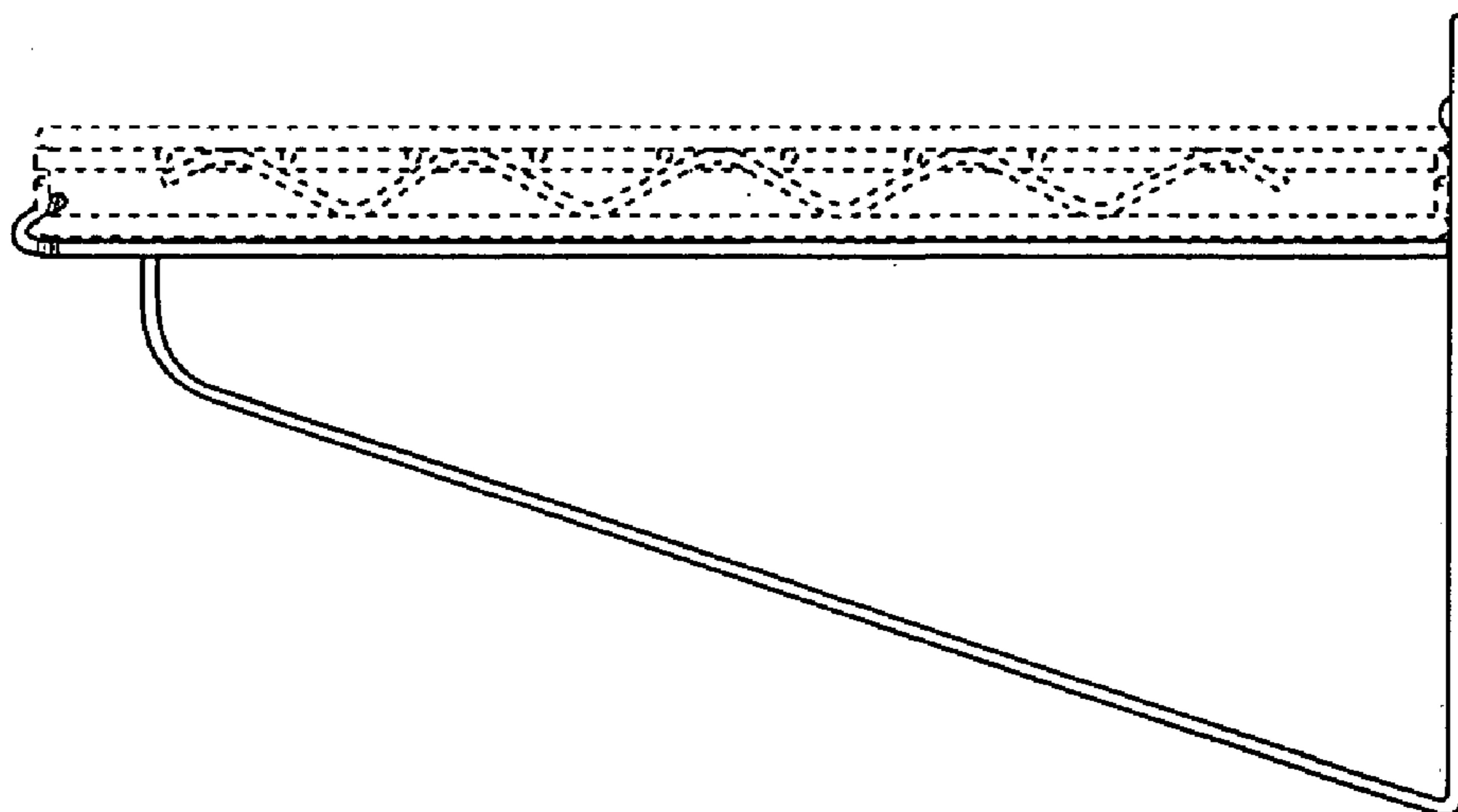


FIG. 5



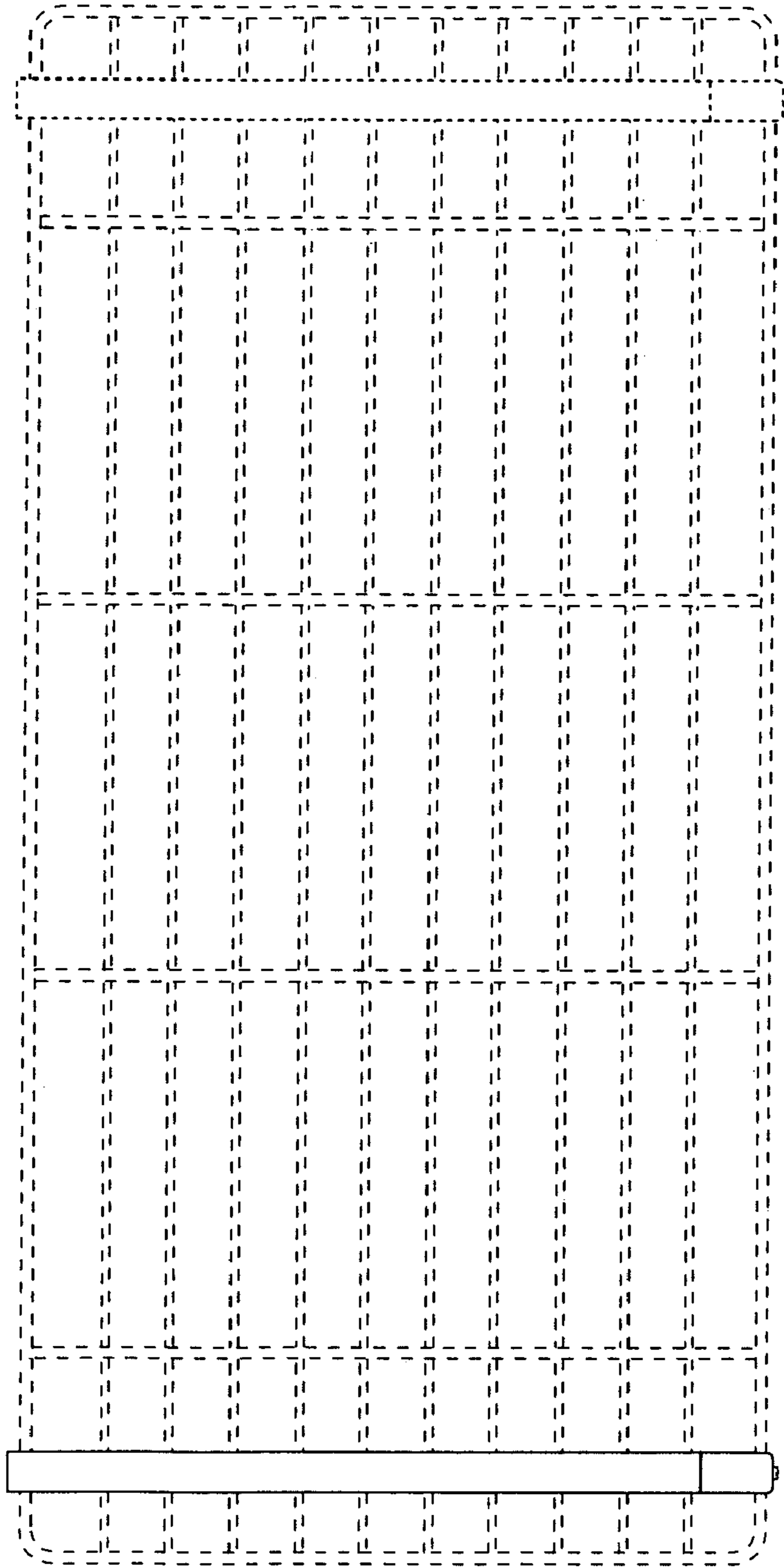


FIG. 6

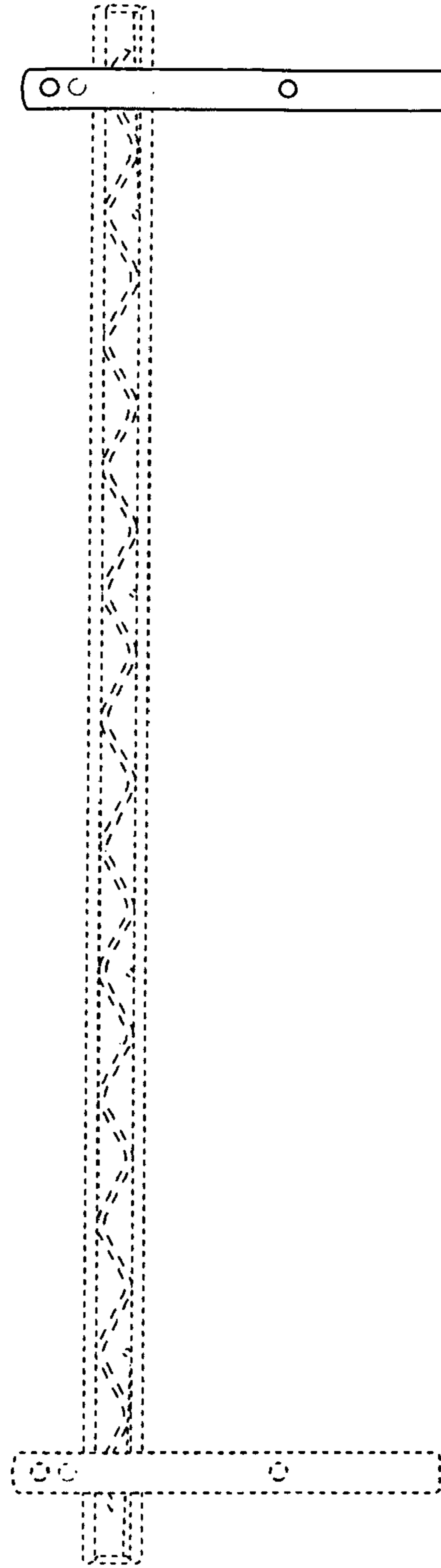


FIG. 7