



US00D548064S

(12) **United States Design Patent**
Norton

(10) **Patent No.:** **US D548,064 S**
(45) **Date of Patent:** **** Aug. 7, 2007**

(54) **FOUNDATION WALL RETAINING BRACKET**

(76) Inventor: **Willard S. Norton**, 5608 NE. Oaktree
La., Kansas City, MO (US) 64118

(**) Term: **14 Years**

(21) Appl. No.: **29/211,738**

(22) Filed: **Aug. 20, 2004**

(51) **LOC (8) Cl.** **08-05**

(52) **U.S. Cl.** **D8/380**

(58) **Field of Classification Search** D8/380-381;
248/201, 235, 237, 245, 247
See application file for complete search history.

(56) **References Cited**

U.S. PATENT DOCUMENTS

1,066,463	A *	7/1913	Carl	248/235
1,114,997	A *	10/1914	Lieb	248/235
1,224,016	A *	4/1917	Petersen	248/235
D246,573	S *	12/1977	White	D8/384
4,353,194	A	10/1982	Norton		
4,452,028	A	6/1984	Norton et al.		
D338,637	S *	8/1993	Shenkar	D11/156
D367,001	S *	2/1996	Bright	D8/381
5,503,358	A *	4/1996	Lapp	248/235
D416,470	S *	11/1999	Aldeghi	D8/354
D520,349	S *	5/2006	Boroviak	D8/381

OTHER PUBLICATIONS

Drawing of Prior Art (admitted as prior art).

* cited by examiner

Primary Examiner—Holly H. Baynham

(74) *Attorney, Agent, or Firm*—Mark E. Brown

(57) **CLAIM**

The ornamental design for a foundation wall retaining bracket, as shown and described.

DESCRIPTION

FIG. 1 is an upper, front, left side perspective view of a foundation wall retaining bracket, showing my new design; the environment comprising the construction is shown in broken lines for illustrative purposes only and forms no part of the claimed design;

FIG. 2 is an enlarged lower, front, left side perspective view thereof;

FIG. 3 is a left side elevational view thereof, the right side elevation being a mirror image thereof;

FIG. 4 is a top plan view thereof;

FIG. 5 is a bottom plan view thereof;

FIG. 6 is a front elevational view thereof; and,

FIG. 7 is a back elevational view thereof.

1 Claim, 3 Drawing Sheets

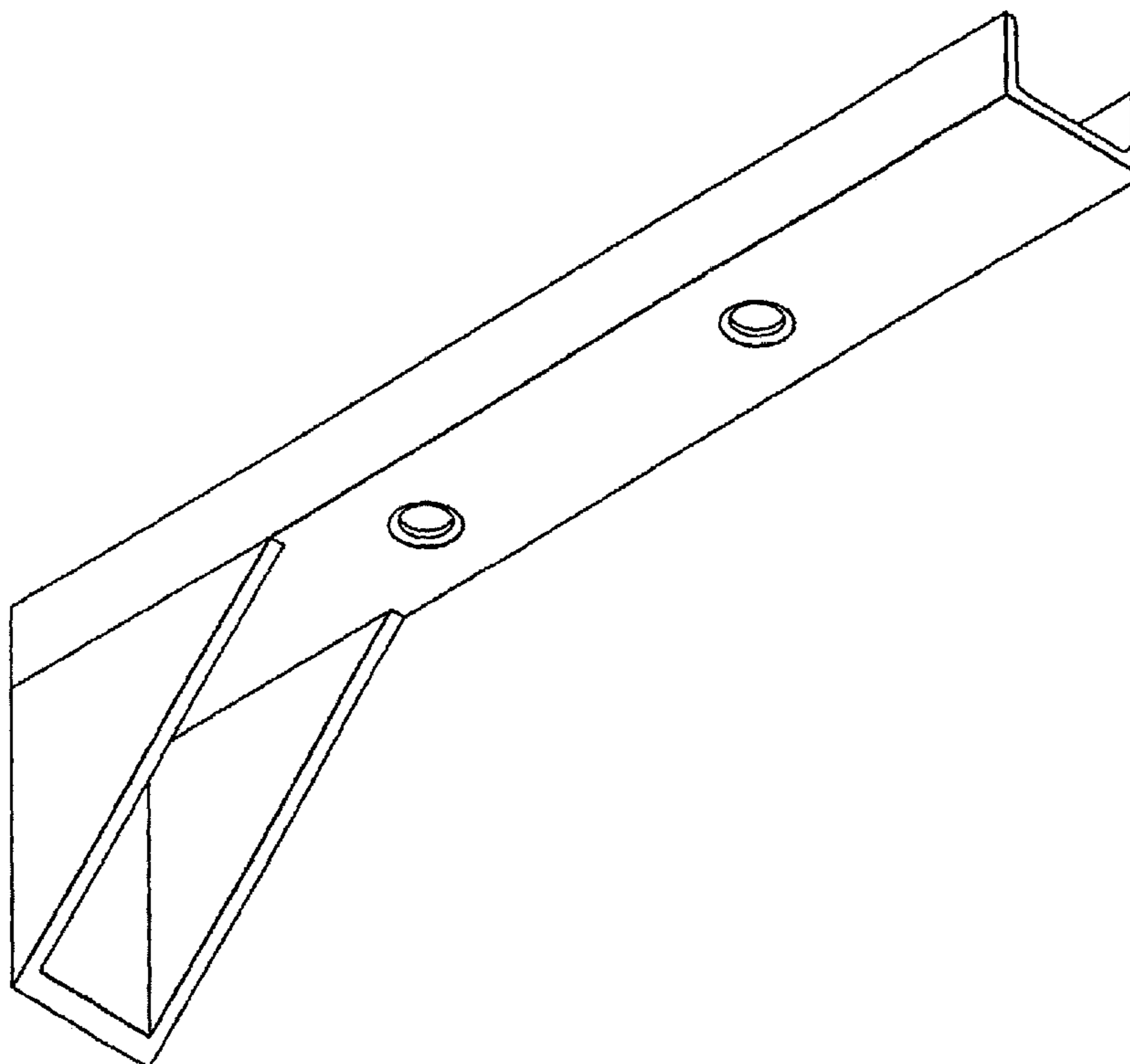
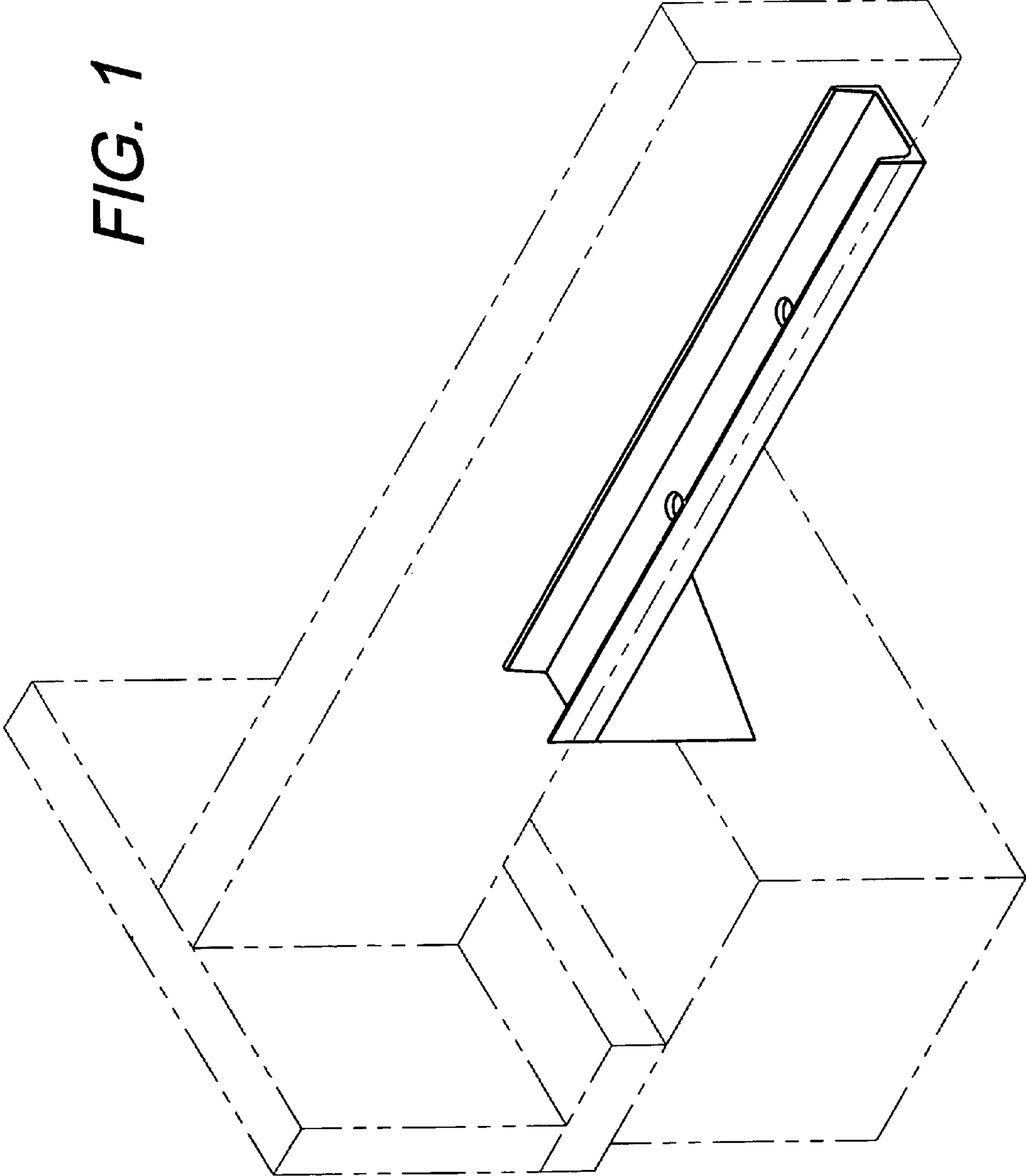


FIG. 1



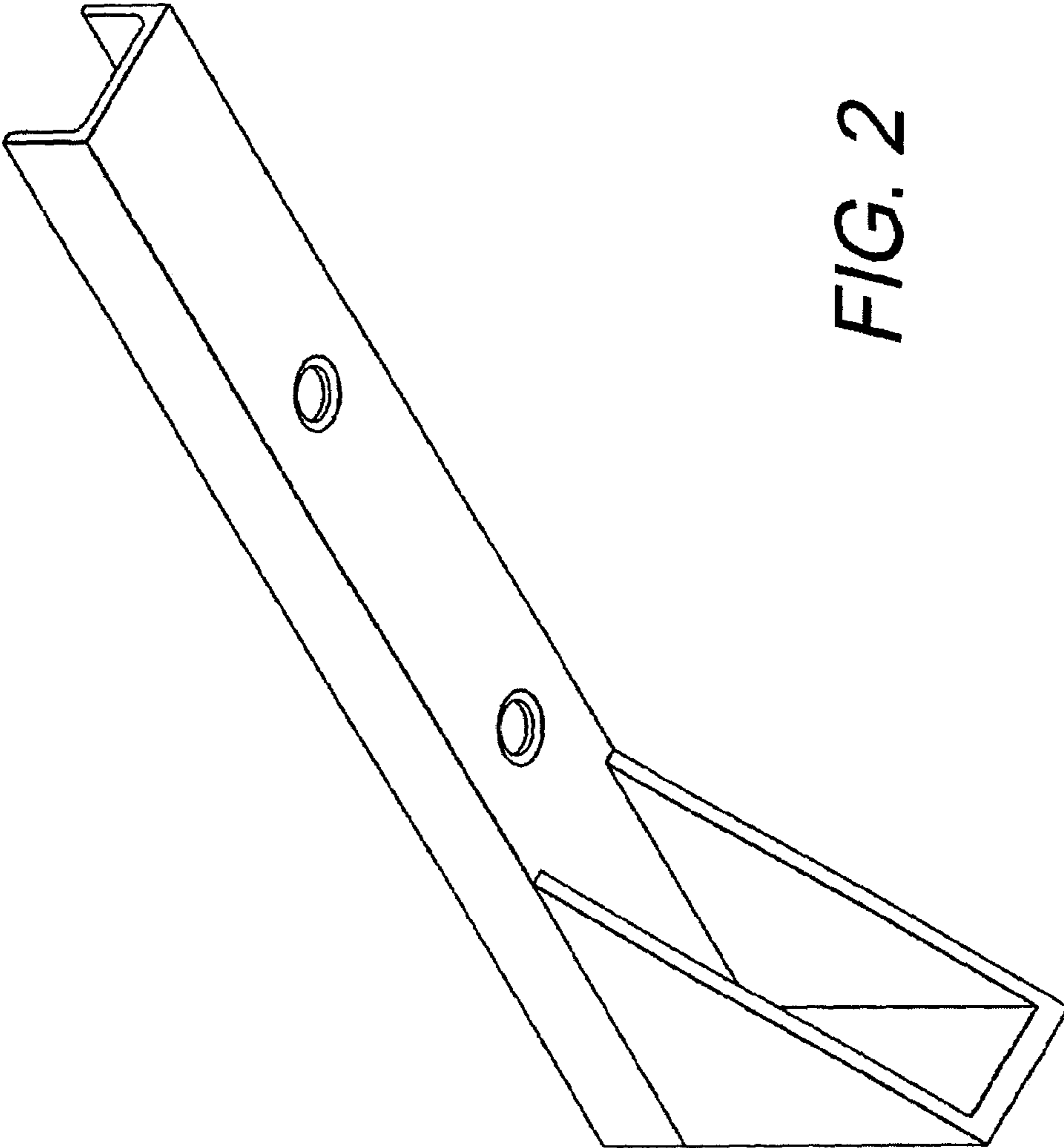


FIG. 2

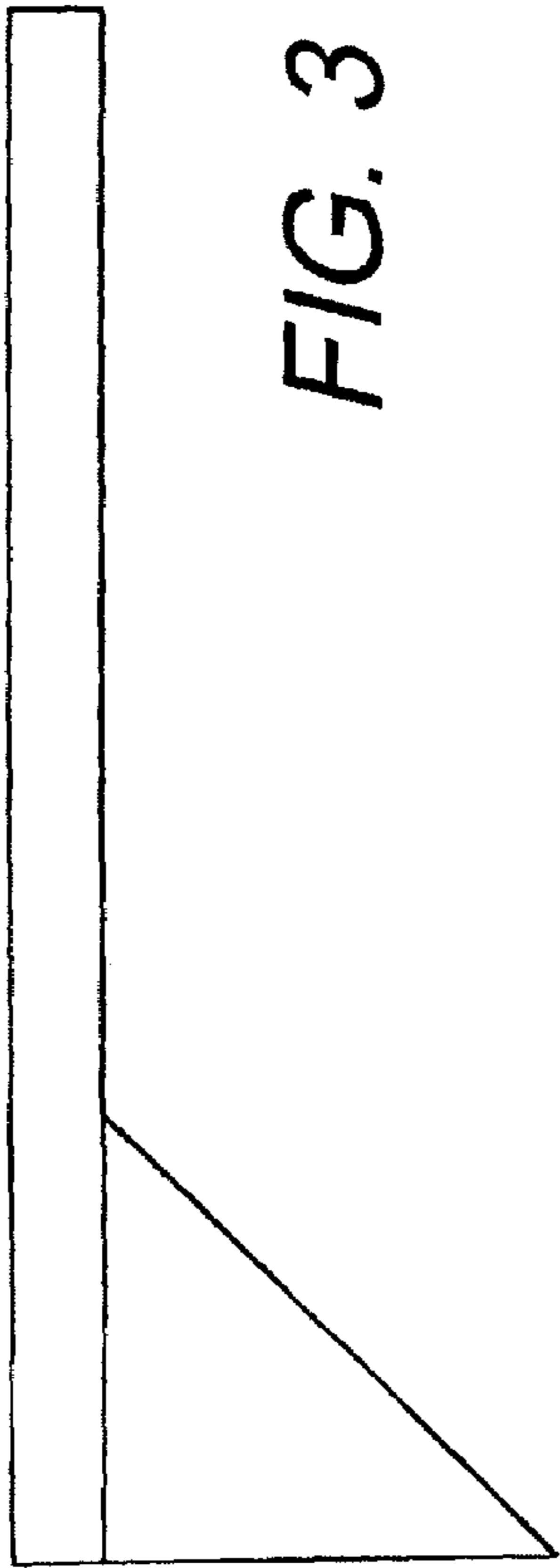


FIG. 3



FIG. 6

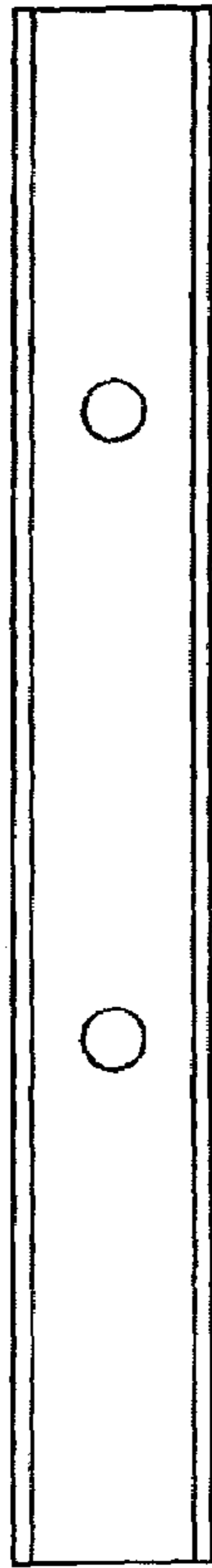


FIG. 4

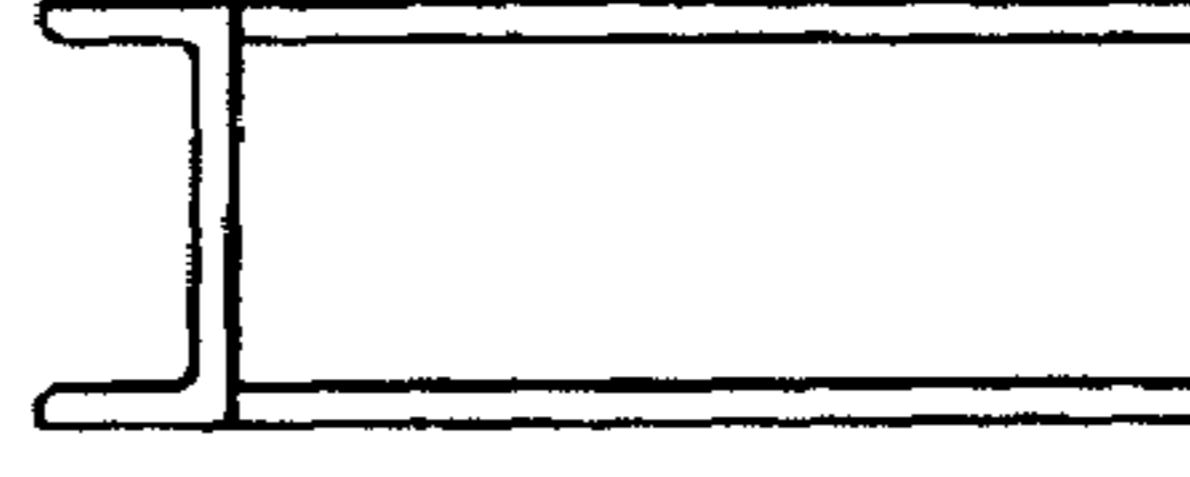


FIG. 7



FIG. 5