

US00D548063S

(12) **United States Design Patent**
Allen et al.

(10) **Patent No.:** **US D548,063 S**

(45) **Date of Patent:** **** Aug. 7, 2007**

(54) **STORM SHUTTER RAIL**

(75) Inventors: **Clyde Allen**, Lapeer, MI (US); **J. Richard Logan**, Oxford, MI (US); **Nathan Greenway**, Attica, MI (US); **Brad Kutler**, Lake Orion, MI (US)

(73) Assignee: **Tapco International Corporation**, Wixom, MI (US)

(**) Term: **14 Years**

(21) Appl. No.: **29/239,495**

(22) Filed: **Sep. 30, 2005**

(51) **LOC (8) Cl.** **08-05**

(52) **U.S. Cl.** **D8/377**

(58) **Field of Classification Search** D6/575-581;
D3/260; D8/377; D12/220; D13/155; 160/32,
160/168, 1 V, 496; 4/506; 52/169.5; D20/44;
D25/119, 122

See application file for complete search history.

(56) **References Cited**

U.S. PATENT DOCUMENTS

- 3,031,049 A * 4/1962 Somville 52/656.6
- D310,775 S * 9/1990 Ruonala D8/377
- D367,839 S * 3/1996 Abbott et al. D12/220

- D450,234 S * 11/2001 Bosgoed D8/377
- D455,336 S * 4/2002 Anderson D8/377
- D488,055 S * 4/2004 Ter Braak D8/377
- D495,592 S * 9/2004 Mausar et al. D8/377
- D519,310 S * 4/2006 Schorling D6/580
- D521,656 S * 5/2006 Terrels D25/122

* cited by examiner

Primary Examiner—T. Chase Nelson

Assistant Examiner—Barbara Blanton Lohr

(74) *Attorney, Agent, or Firm*—Howard & Howard Attorneys, P.C.

(57) **CLAIM**

The ornamental design for a storm shutter rail, as shown and described.

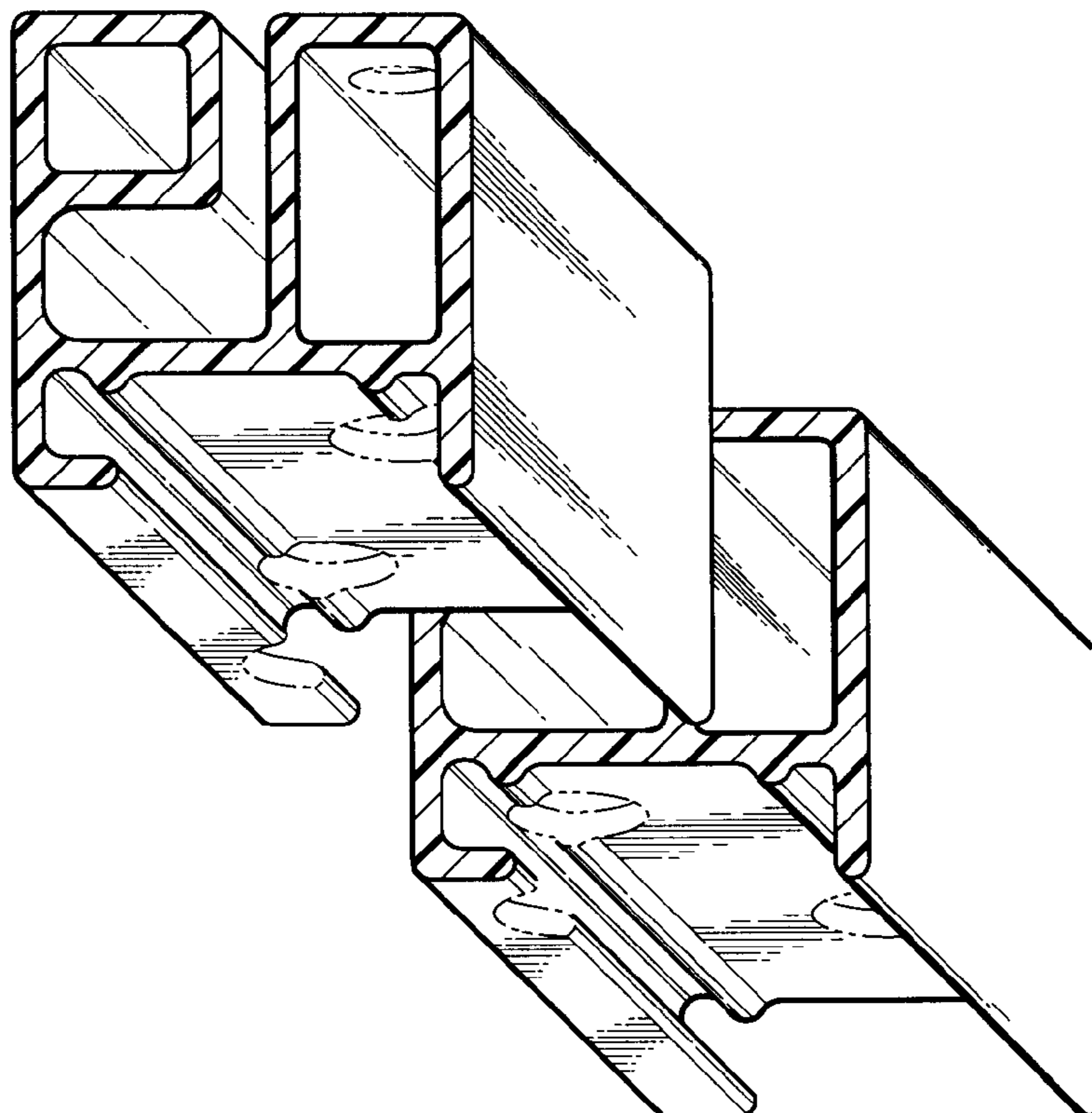
DESCRIPTION

FIG. 1 is a bottom right perspective view of a storm shutter rail which is broken in the center indicating that a specific length forms no part of the claimed design; and,

FIG. 2 is a top left perspective view of the storm shutter rail shown in FIG. 1.

The broken lines upon the storm shutter rail are for illustrative purposes only, and form no part of the claimed design.

1 Claim, 1 Drawing Sheet



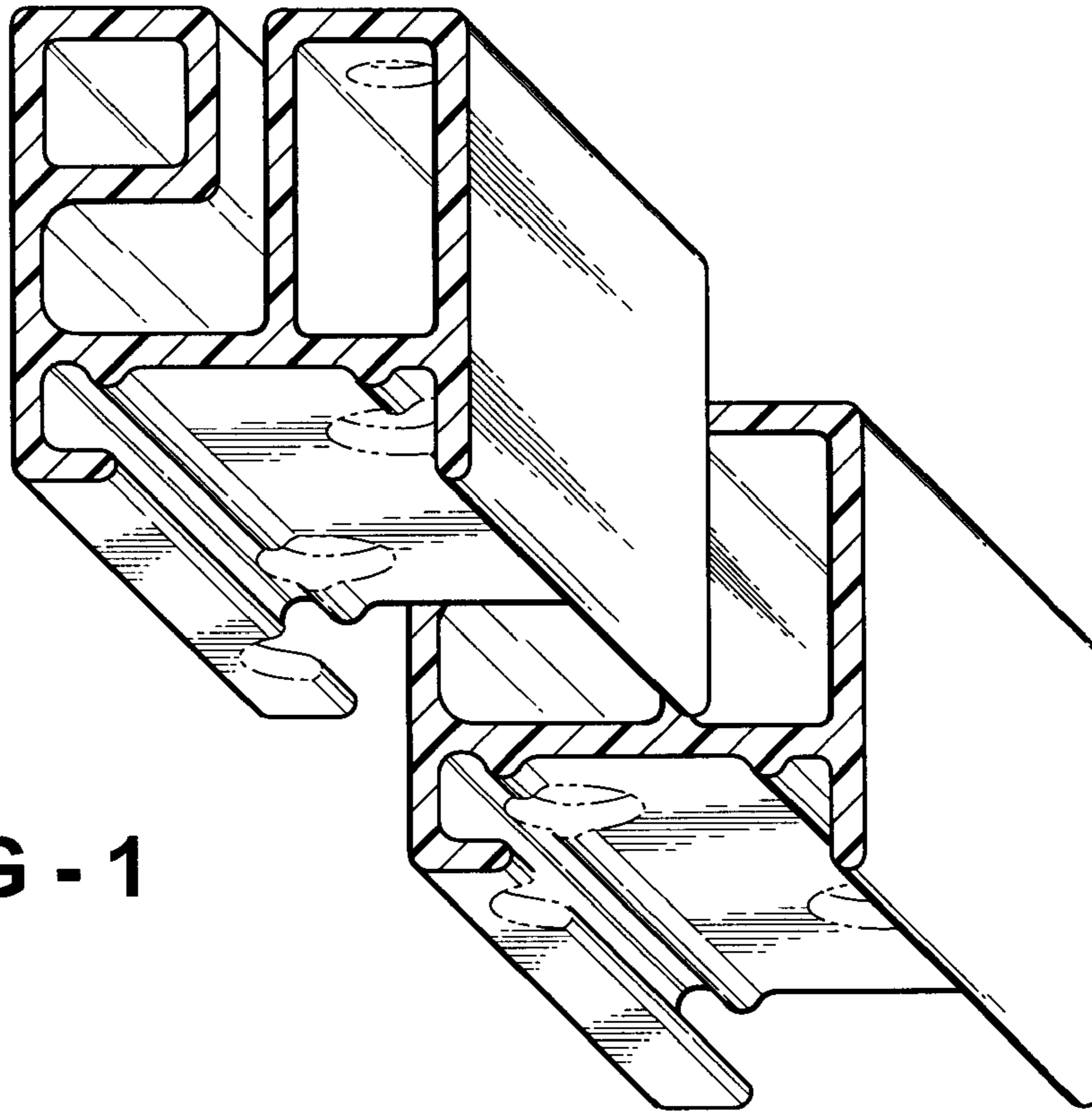


FIG - 1

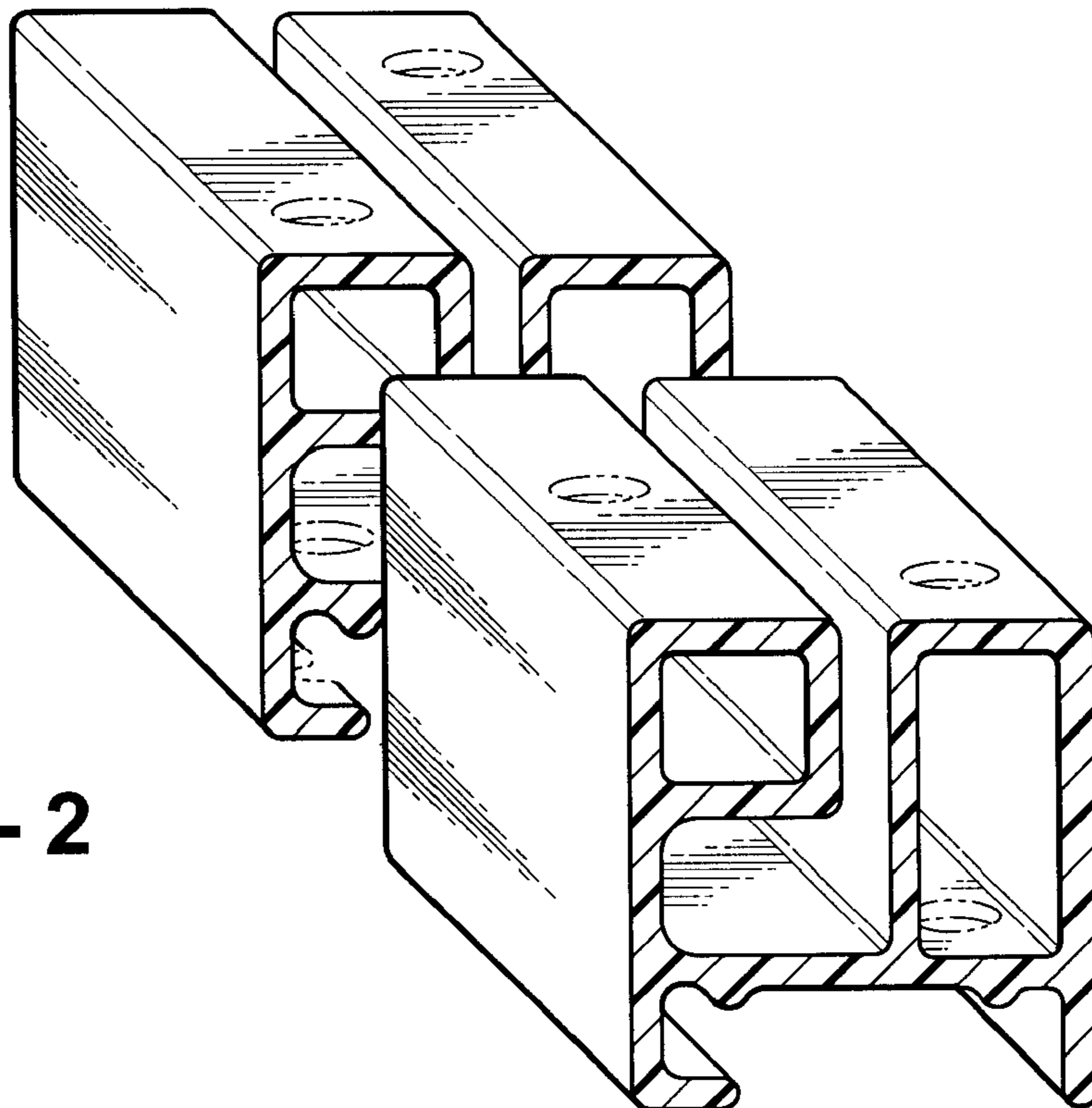


FIG - 2