

US00D548061S

(12) **United States Design Patent** (10) **Patent No.:** **US D548,061 S**
Hu (45) **Date of Patent:** **** Aug. 7, 2007**

(54) **TOOL DISPLAY HOLDER**

(57) **CLAIM**

(76) Inventor: **Bobby Hu**, 8F, No. 536~1, Ta Chin Street, Taichung (TW)

The ornamental design for tool display holder, as shown and described.

(**) Term: **14 Years**

DESCRIPTION

(21) Appl. No.: **29/234,148**

FIG. 1 is a perspective view embodying the utilization of tool display holder in which the broken line is for illustrative purposes only and forms no part of the claimed design;

(22) Filed: **Jul. 14, 2005**

FIG. 2 is a front view embodying the utilization of tool display holder in which the broken line is for illustrative purposes only and forms no part of the claimed design; the opposite side being a mirror image of the shown;

(51) **LOC (8) Cl.** **08-05**

(52) **U.S. Cl.** **D8/370**

(58) **Field of Classification Search** D8/367, D8/356, 370; 24/599.2, 599.5, 600.1

See application file for complete search history.

FIG. 3 is a left view embodying the utilization of tool display holder in which the broken line is for illustrative purposes only and forms no part of the claimed design;

(56) **References Cited**

U.S. PATENT DOCUMENTS

76,517	A *	4/1868	Pelton	59/89
167,399	A *	9/1875	Goodrich	24/601.3
374,330	A *	12/1887	Wikman	114/114
2,871,691	A *	2/1959	Bacon	70/458
5,540,367	A *	7/1996	Kauker	224/269
5,860,769	A *	1/1999	Seligman	405/186
D447,721	S *	9/2001	Teabo	D11/216
D470,393	S *	2/2003	Kelleghan	D8/356
6,606,769	B1 *	8/2003	Harris	24/599.2

FIG. 4 is a right view embodying the utilization of tool display holder in which the broken line is for illustrative purposes only and forms no part of the claimed design;

FIG. 5 is a top view embodying the utilization of tool display holder in which the broken line is for illustrative purposes only and forms no part of the claimed design;

FIG. 6 is a bottom view embodying the utilization of tool display holder in which the broken line is for illustrative purposes only and forms no part of the claimed design; and,

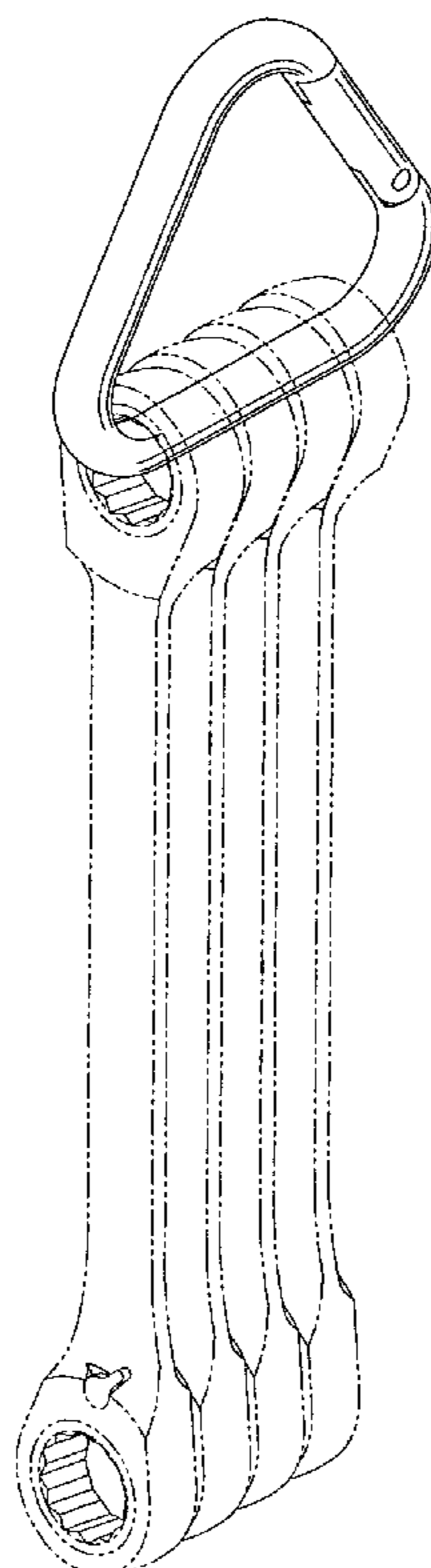
FIG. 7 is the perspective view embodying the utilization of tool display holder in which the broken line is for illustrative purposes only and forms no part of the claimed design.

* cited by examiner

Primary Examiner—Holly H. Baynham

(74) *Attorney, Agent, or Firm*—Alan Kamrath; Kamrath & Associates PA

1 Claim, 4 Drawing Sheets



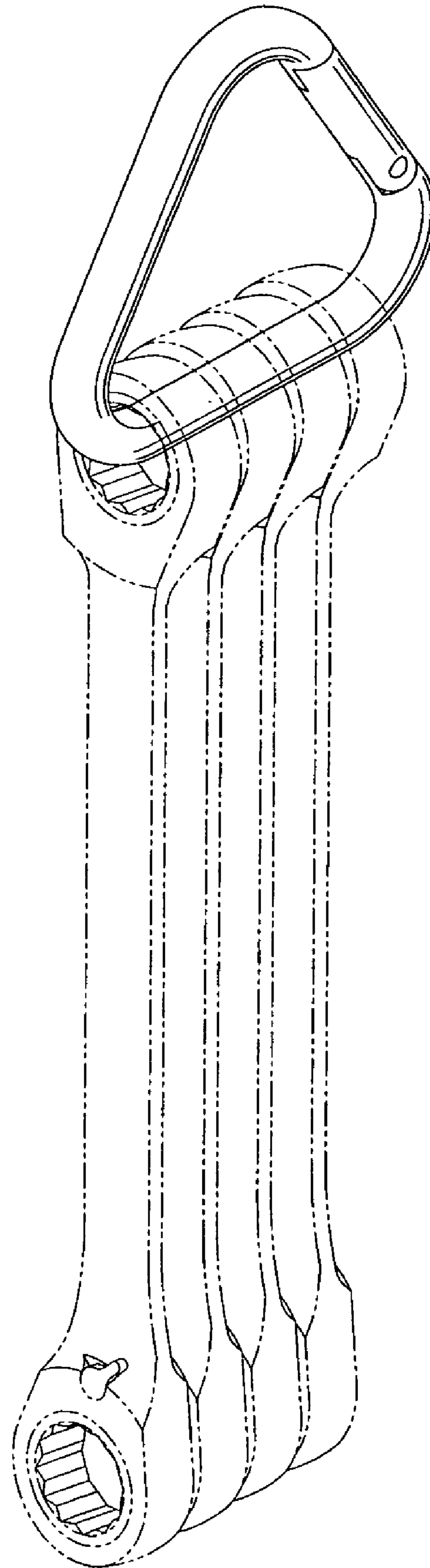


Fig. 1

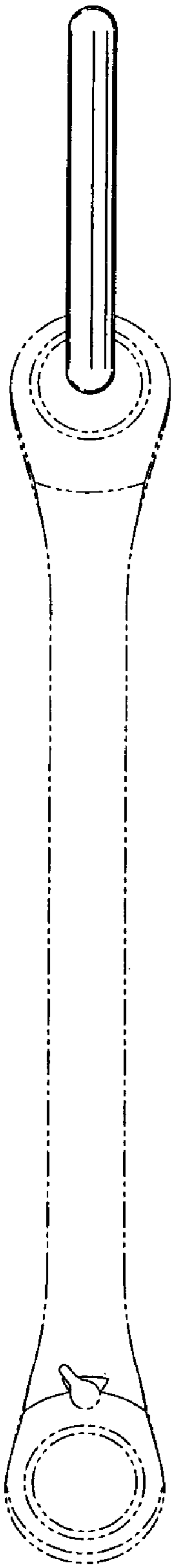


Fig. 3

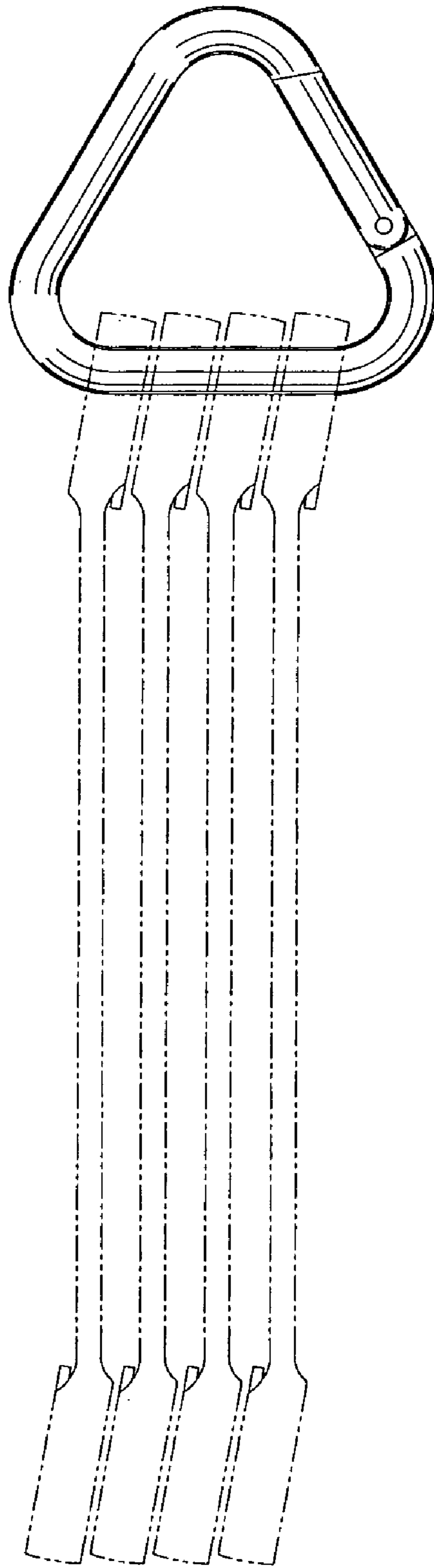


Fig. 2

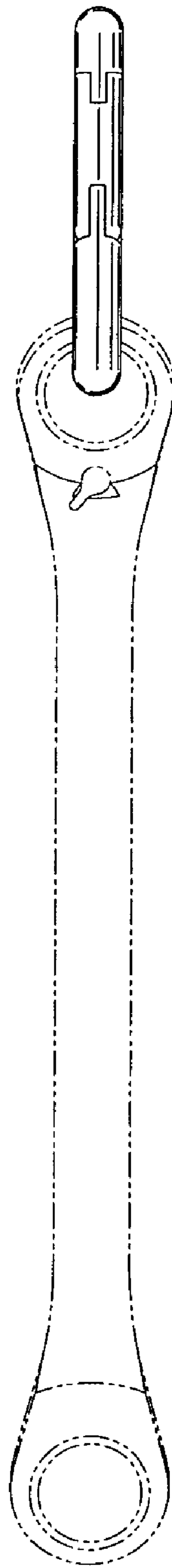


Fig. 4

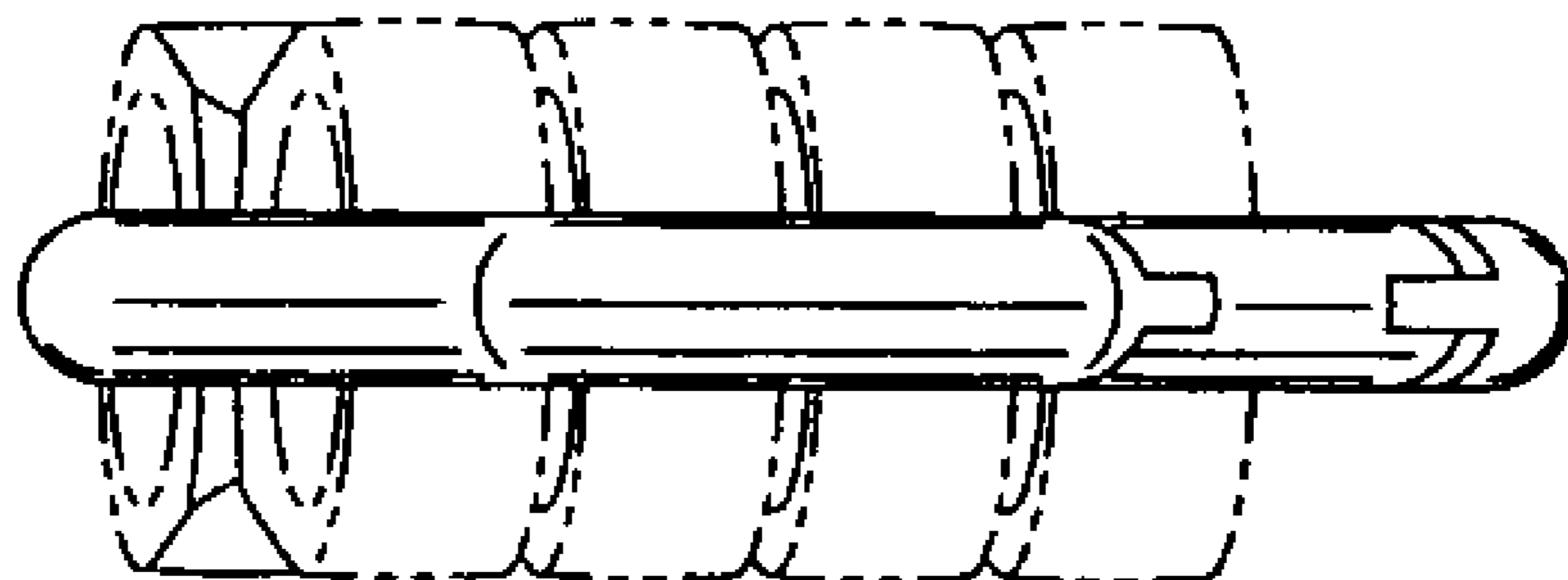


Fig. 5

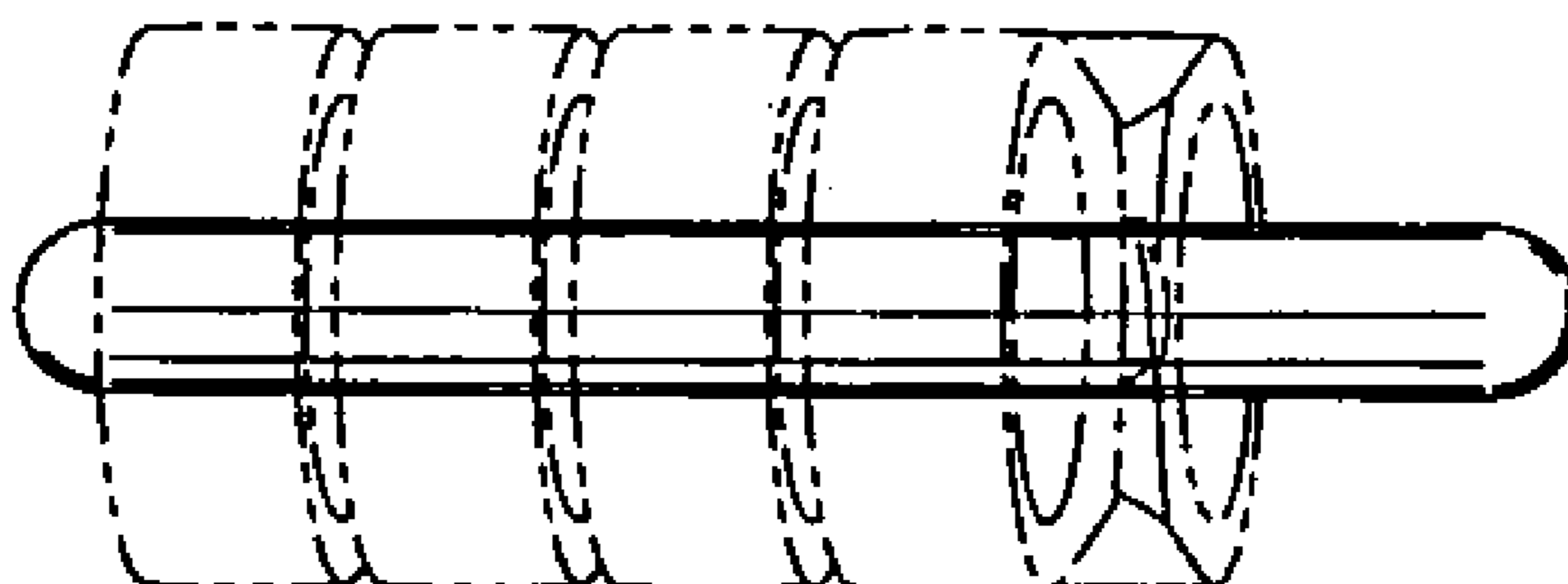


Fig. 6

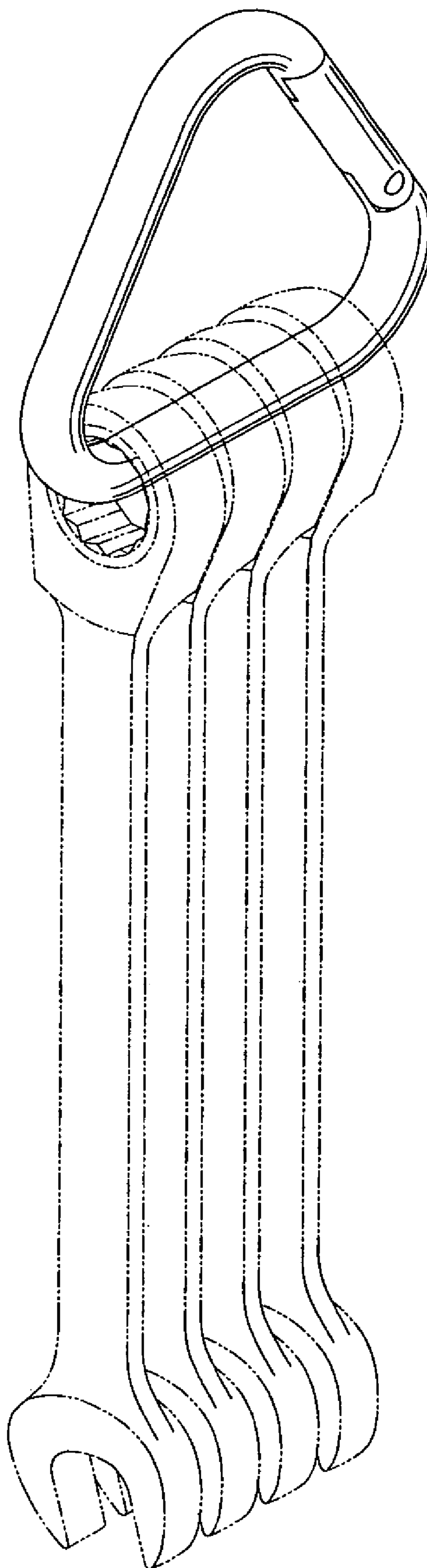


Fig. 7