

US00D548059S

(12) **United States Design Patent**
Dyson

(10) **Patent No.:** **US D548,059 S**

(45) **Date of Patent:** **** Aug. 7, 2007**

(54) **PULLEY TIRE**

D436,023 S * 1/2001 Johnson D8/360
D459,197 S * 6/2002 Hodjat D8/360
D481,615 S * 11/2003 Hodjat et al. D8/360

(75) Inventor: **Kingsley Bruce Dyson**, Cookernup (AU)

* cited by examiner

(73) Assignee: **JLV Industries Pty Ltd.**, Myaree (AU)

Primary Examiner—Holly H. Baynham

(**) Term: **14 Years**

(74) *Attorney, Agent, or Firm*—Miles & Stockbridge, P.C.; Edward J. Kondracki

(21) Appl. No.: **29/237,929**

(57) **CLAIM**

(22) Filed: **Sep. 9, 2005**

The ornamental design for a pulley tire, as shown and described.

(30) **Foreign Application Priority Data**

DESCRIPTION

Mar. 10, 2005 (AU) 10948/2005

(51) **LOC (8) Cl.** **08-05**

FIG. 1 is a top perspective view of my new pulley tire design.

(52) **U.S. Cl.** **D8/360**

(58) **Field of Classification Search** D8/360;
474/166, 169, 170-171

FIG. 2 is a left top view of my new pulley tire design, the right top being identical or a mirror image thereof.

See application file for complete search history.

FIG. 3 is an edge view of my new pulley tire design; and,

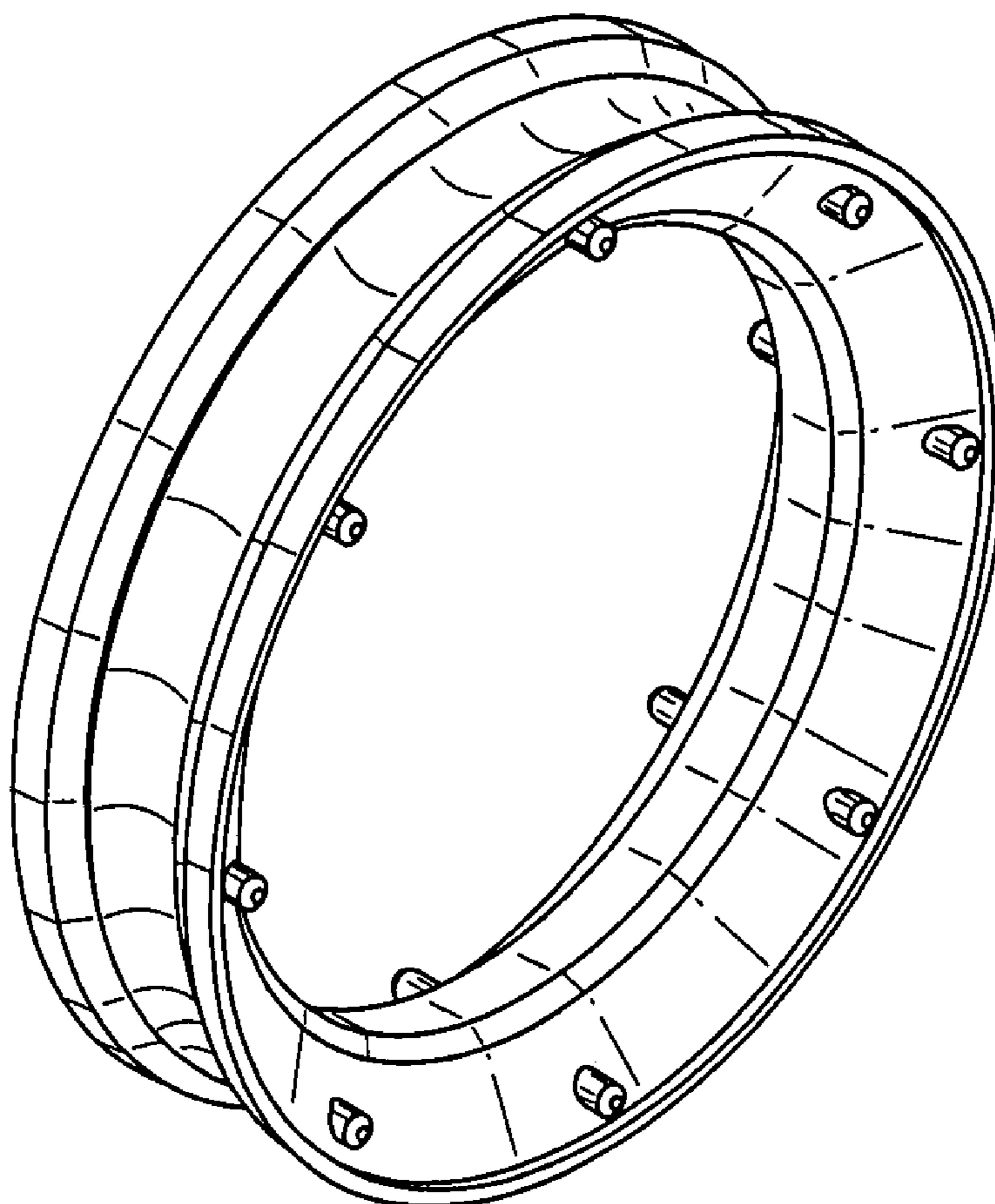
(56) **References Cited**

FIG. 4 is an enlarged detailed edge view of my new pulley tire design.

U.S. PATENT DOCUMENTS

5,454,760 A * 10/1995 Aranibar 474/166

1 Claim, 2 Drawing Sheets



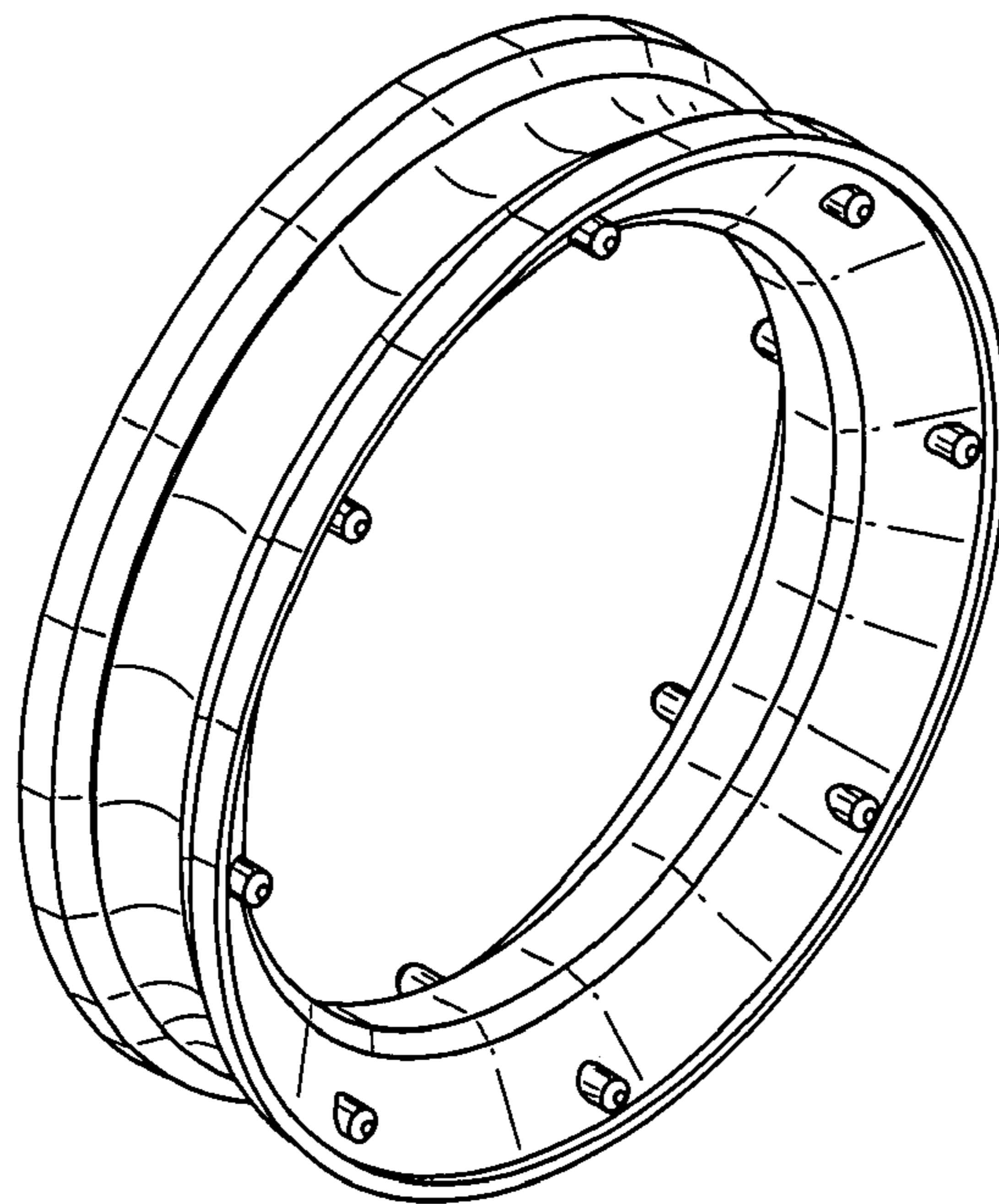


FIG. 1

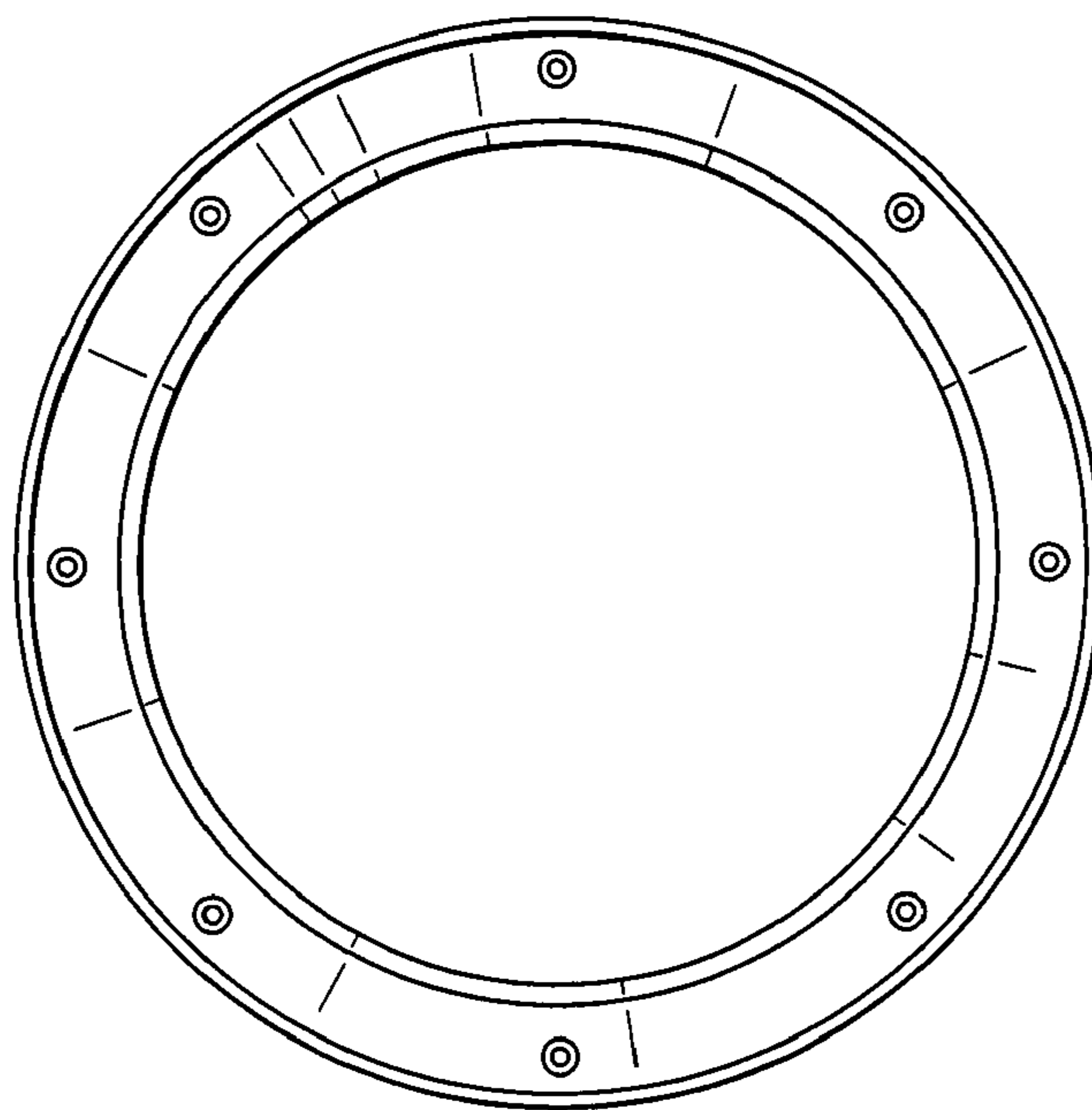


FIG. 2

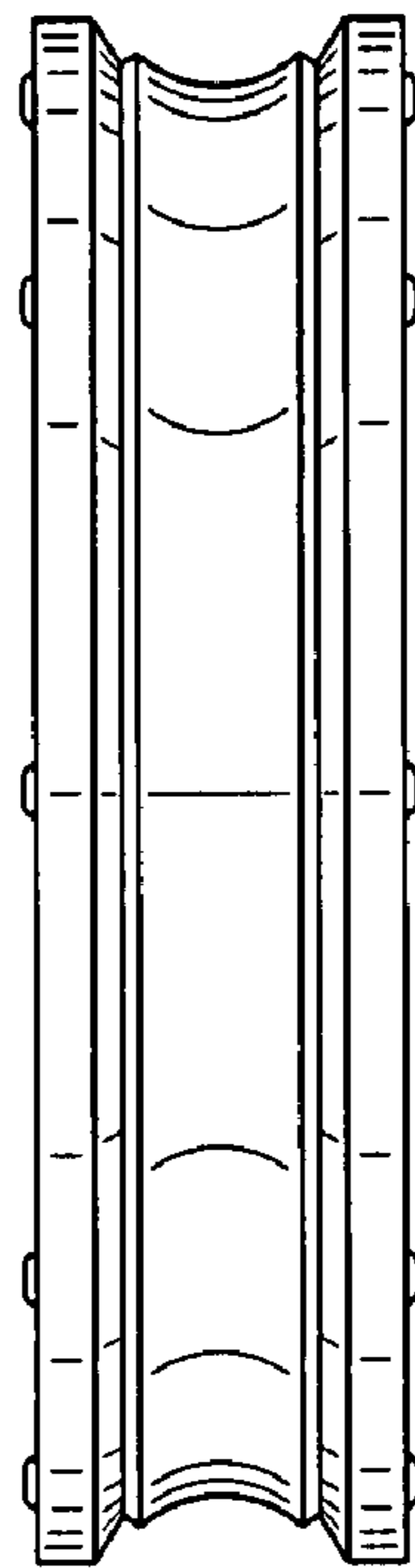


FIG. 3

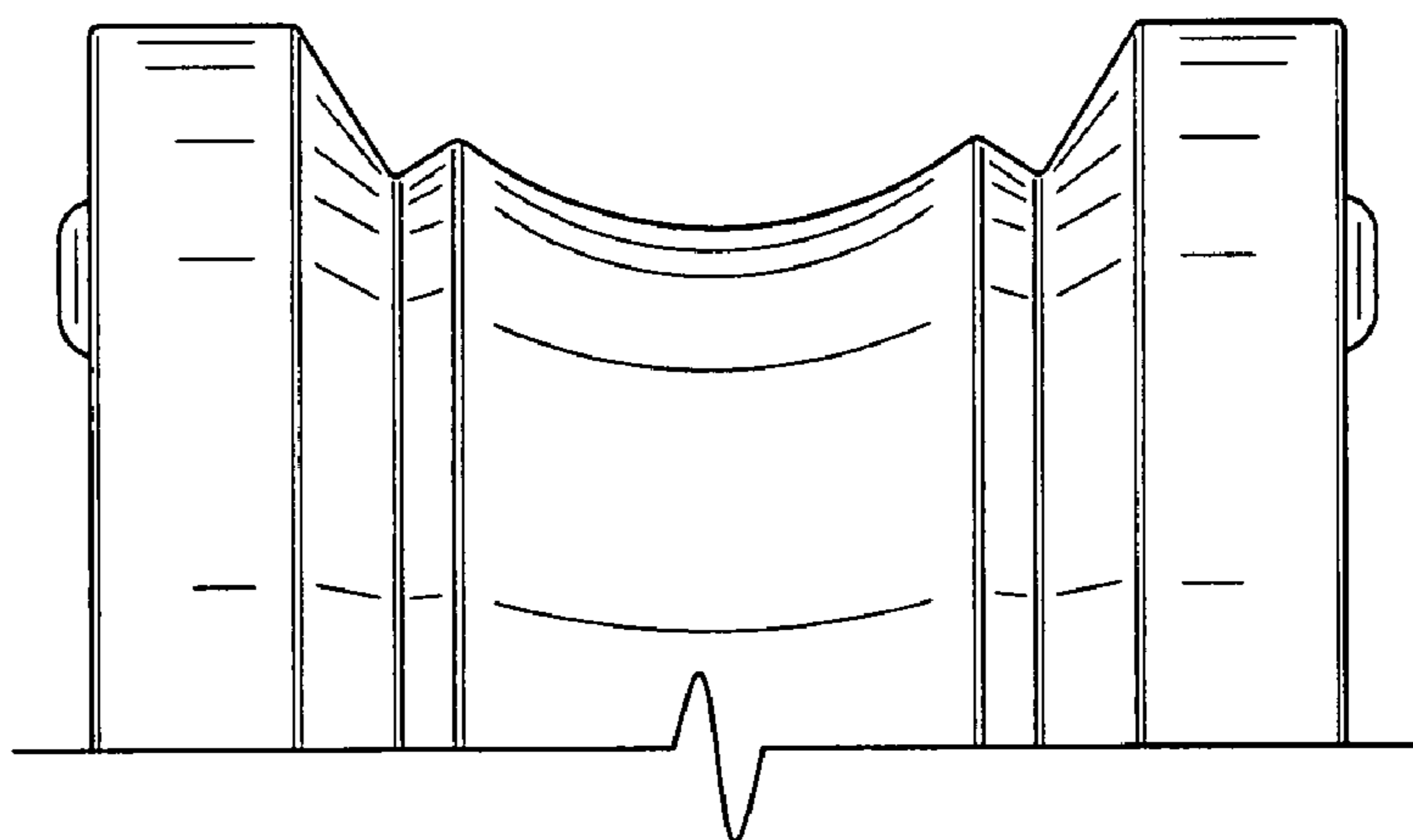


FIG. 4