

US00D548058S

(12) **United States Design Patent**
Joachim et al.

(10) **Patent No.:** **US D548,058 S**

(45) **Date of Patent:** **** Aug. 7, 2007**

(54) **CARABINER DISPLAY**

(75) Inventors: **David Joachim**, Bridgewater, NJ (US);
Timothy C. Repp, Pleasant Valley, CT (US)

(73) Assignee: **Royal Consumer Information Products, Inc.**, Somerset, NJ (US)

(**) Term: **14 Years**

(21) Appl. No.: **29/254,160**

(22) Filed: **Feb. 17, 2006**

(51) **LOC (8) Cl.** **08-05**

(52) **U.S. Cl.** **D8/356**

(58) **Field of Classification Search** D8/356;
D20/24, 11, 10; D12/175; D11/99, 82, 81,
D11/26, 2, 141, 112, 100; D10/31, 3, 2;
D1/127, 126, 111, 107, 106; 24/599.1, 592.1,
24/573.11; D22/126; D7/676, 675; D23/261;
D26/38; D3/207

See application file for complete search history.

(56) **References Cited**

U.S. PATENT DOCUMENTS

D272,609 S * 2/1984 Ofiesh, II D11/2

D359,311 S * 6/1995 Stangarone D20/10
D498,425 S * 11/2004 Marcucelli et al. D10/31
D504,767 S * 5/2005 DiMarchi et al. D8/356

* cited by examiner

Primary Examiner—Robert M. Spear

Assistant Examiner—Susan Bennett

(74) *Attorney, Agent, or Firm*—Roberts & Roberts, LLP

(57) **CLAIM**

The ornamental design for a carabiner display, as shown and described.

DESCRIPTION

FIG. 1 is a front perspective view of a carabiner display showing our new design.

FIG. 2 is a top plan view thereof.

FIG. 3 is a front elevational view thereof.

FIG. 4 is a left side view thereof.

FIG. 5 is a right side view thereof.

FIG. 6 is a rear elevational view thereof; and,

FIG. 7 is a bottom view thereof.

1 Claim, 4 Drawing Sheets

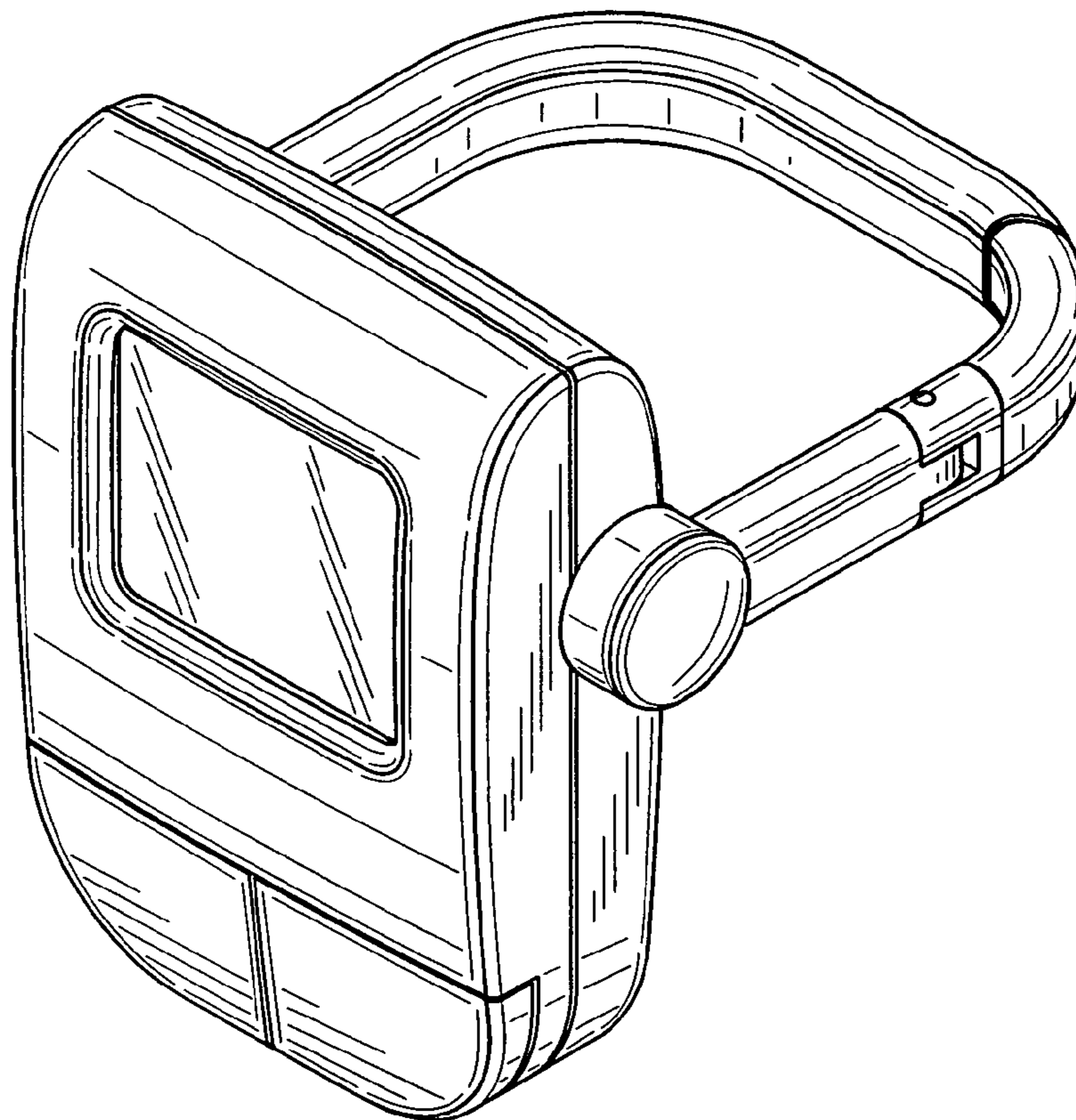


FIG. 1

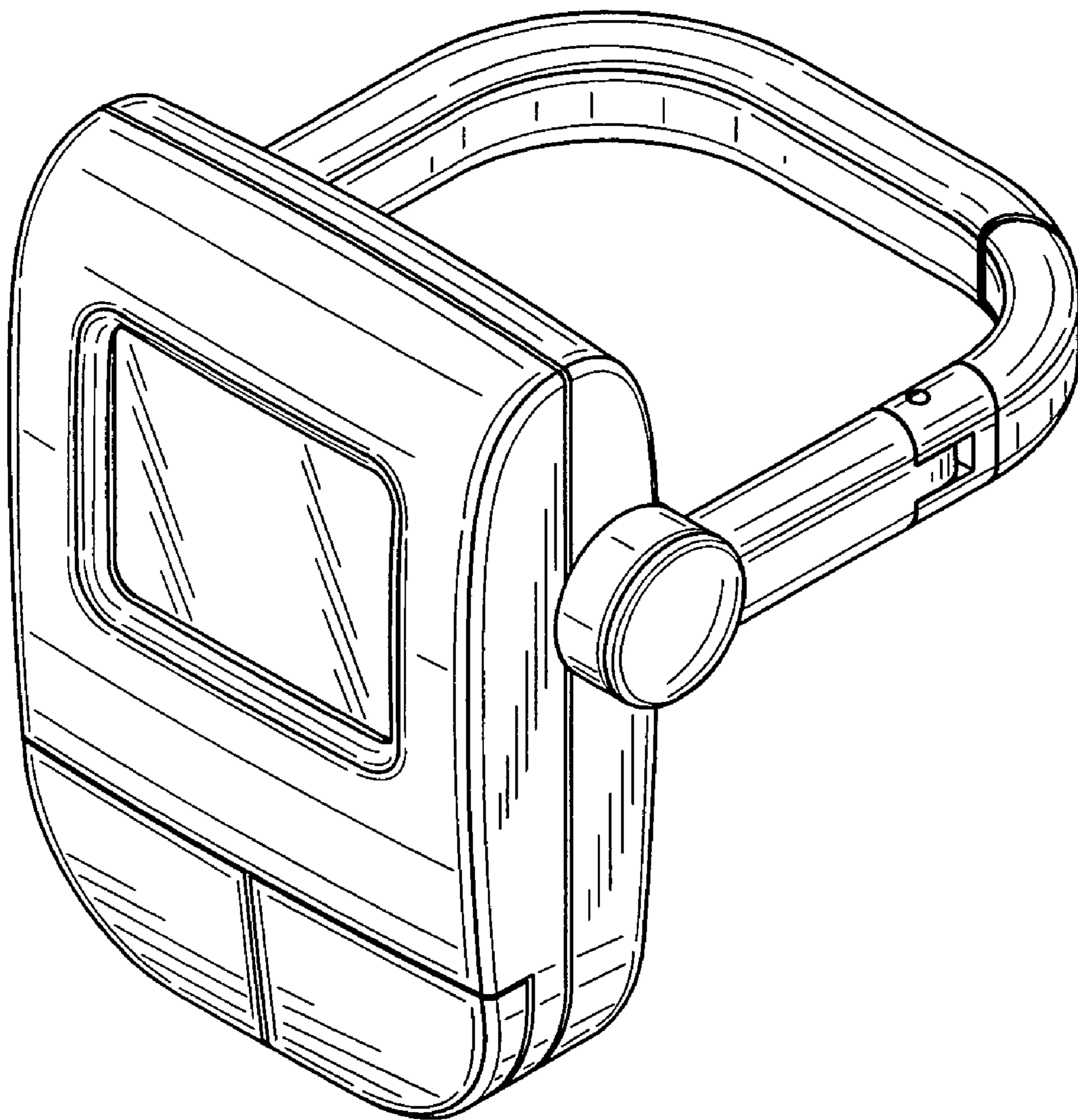


FIG. 2

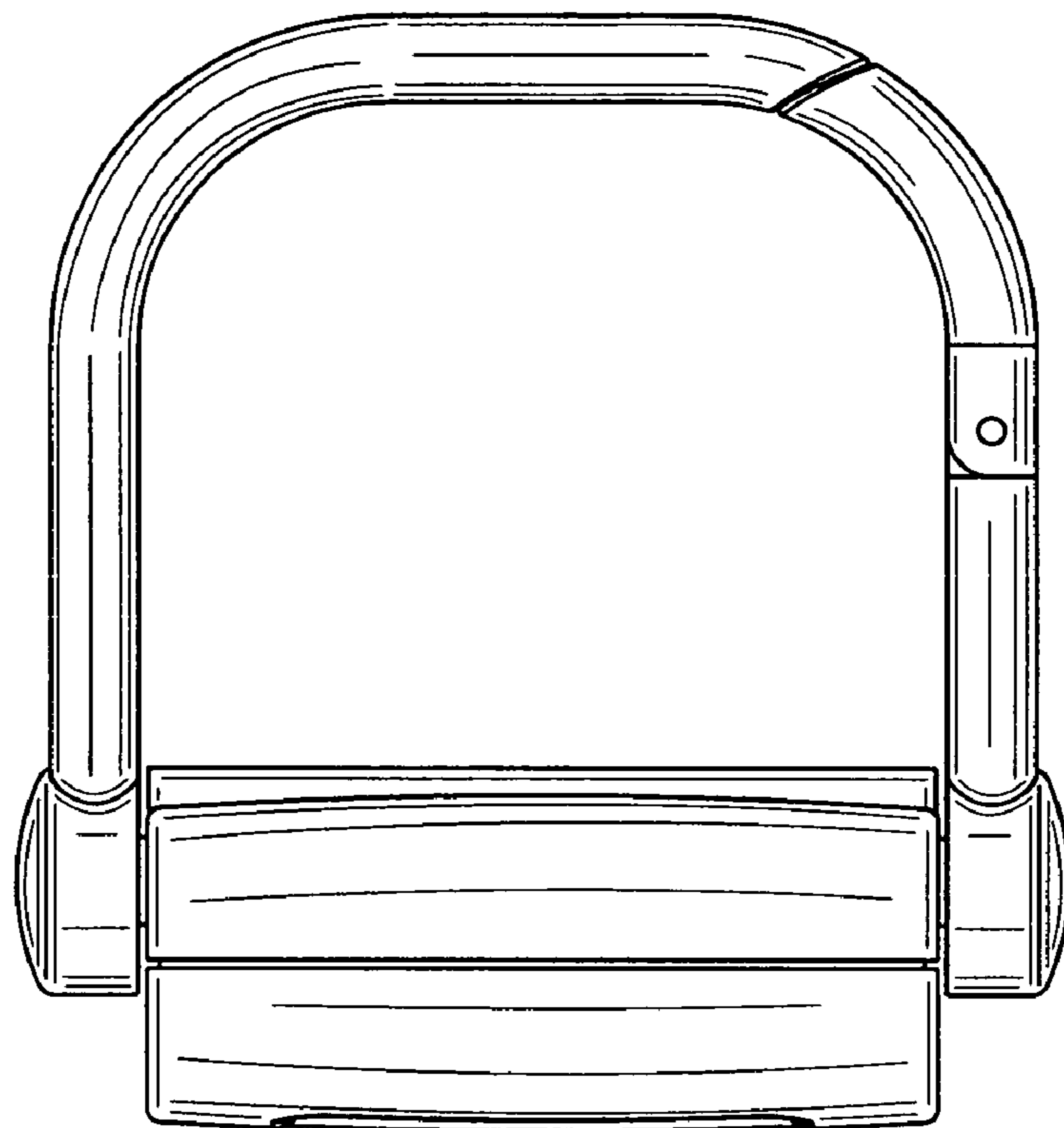


FIG. 3

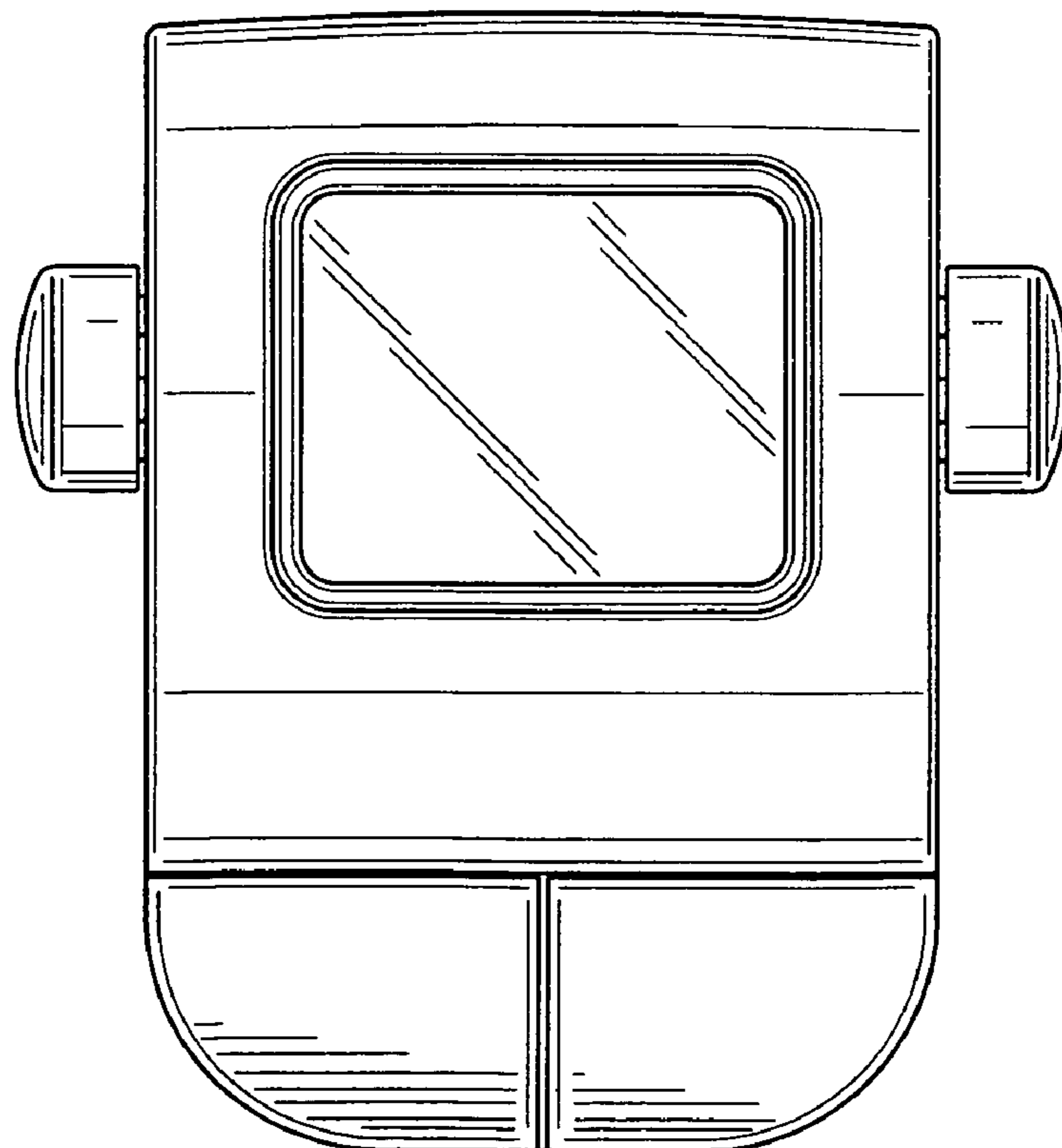


FIG. 4

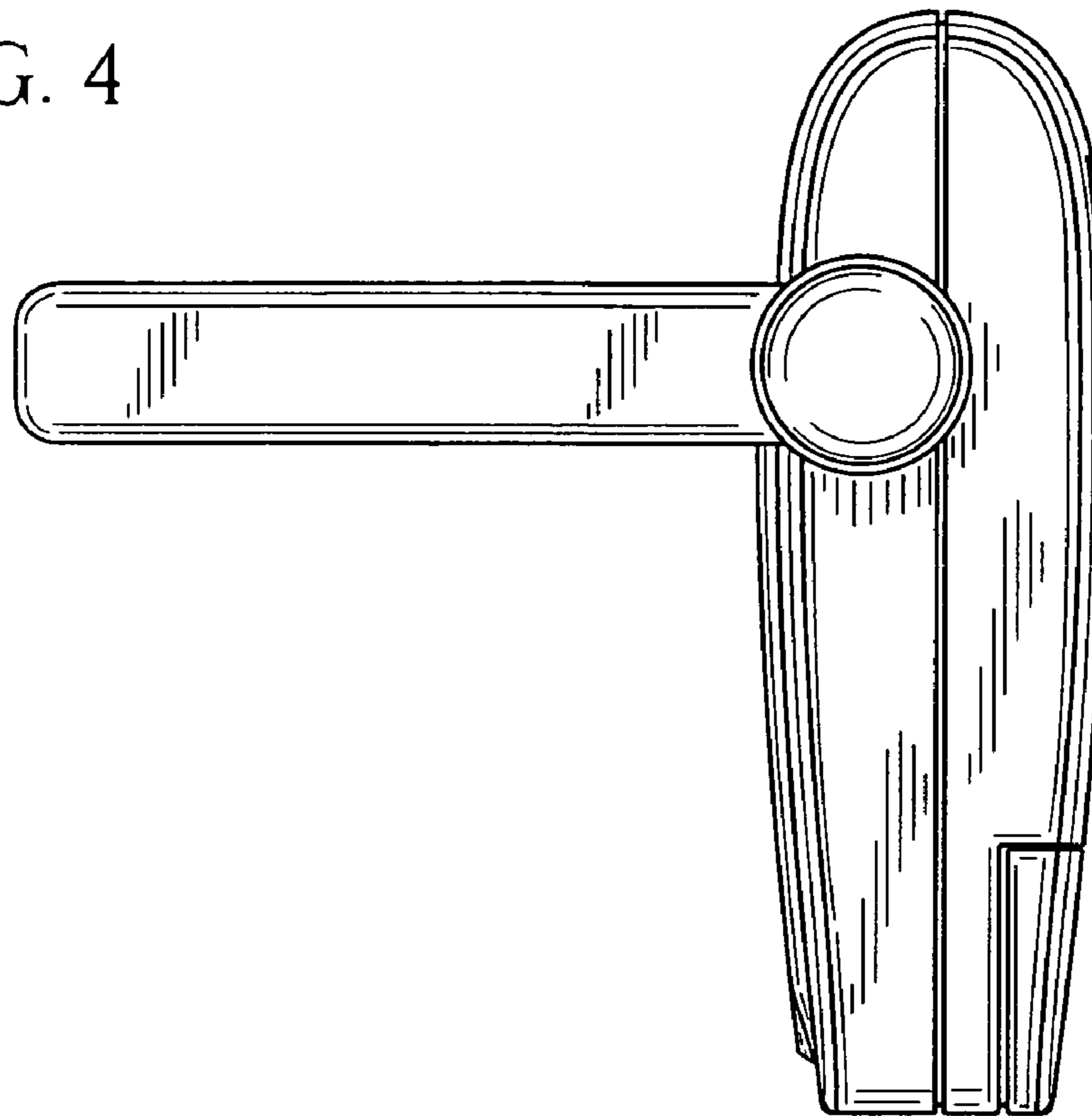


FIG. 5

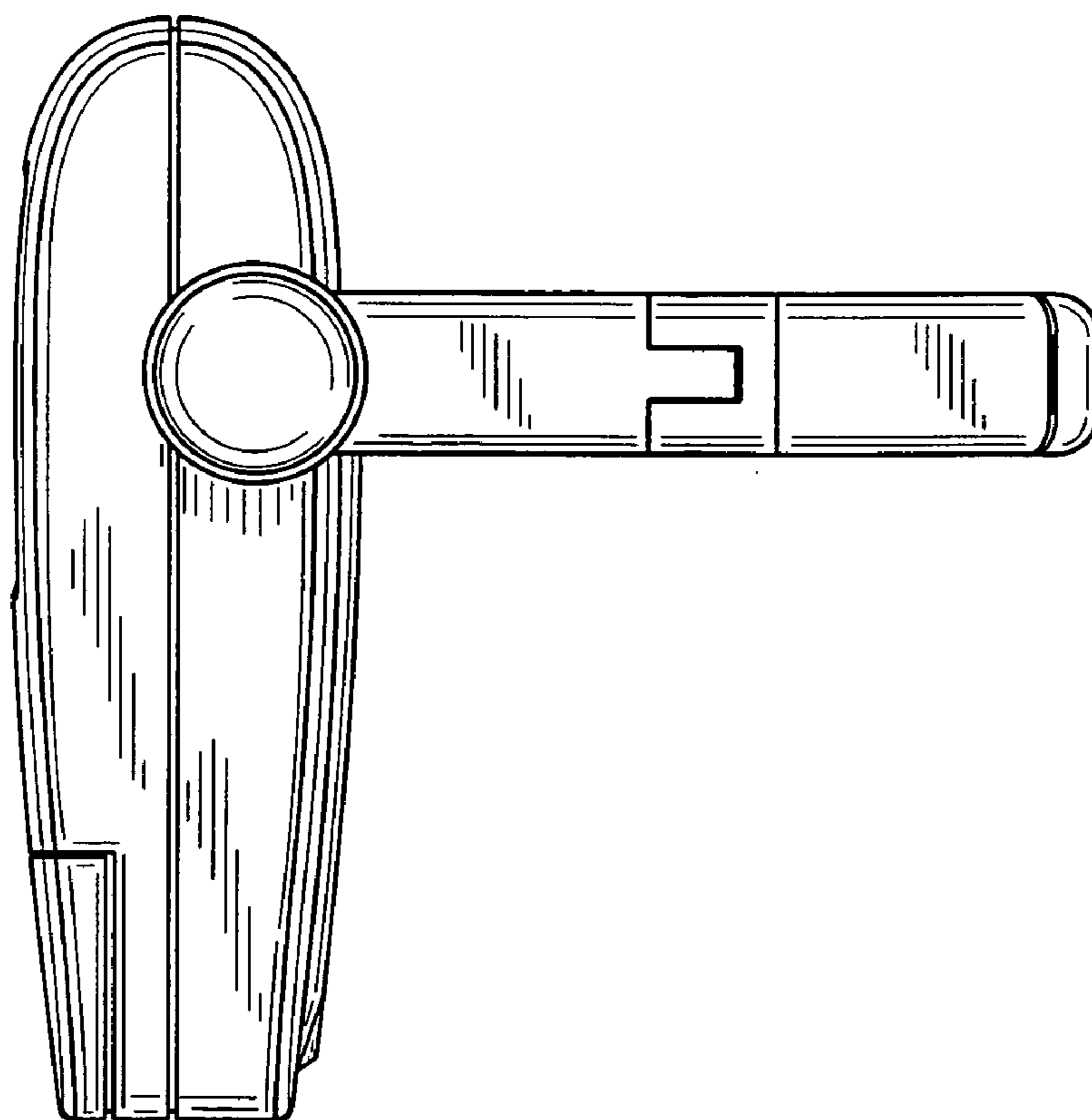


FIG. 6

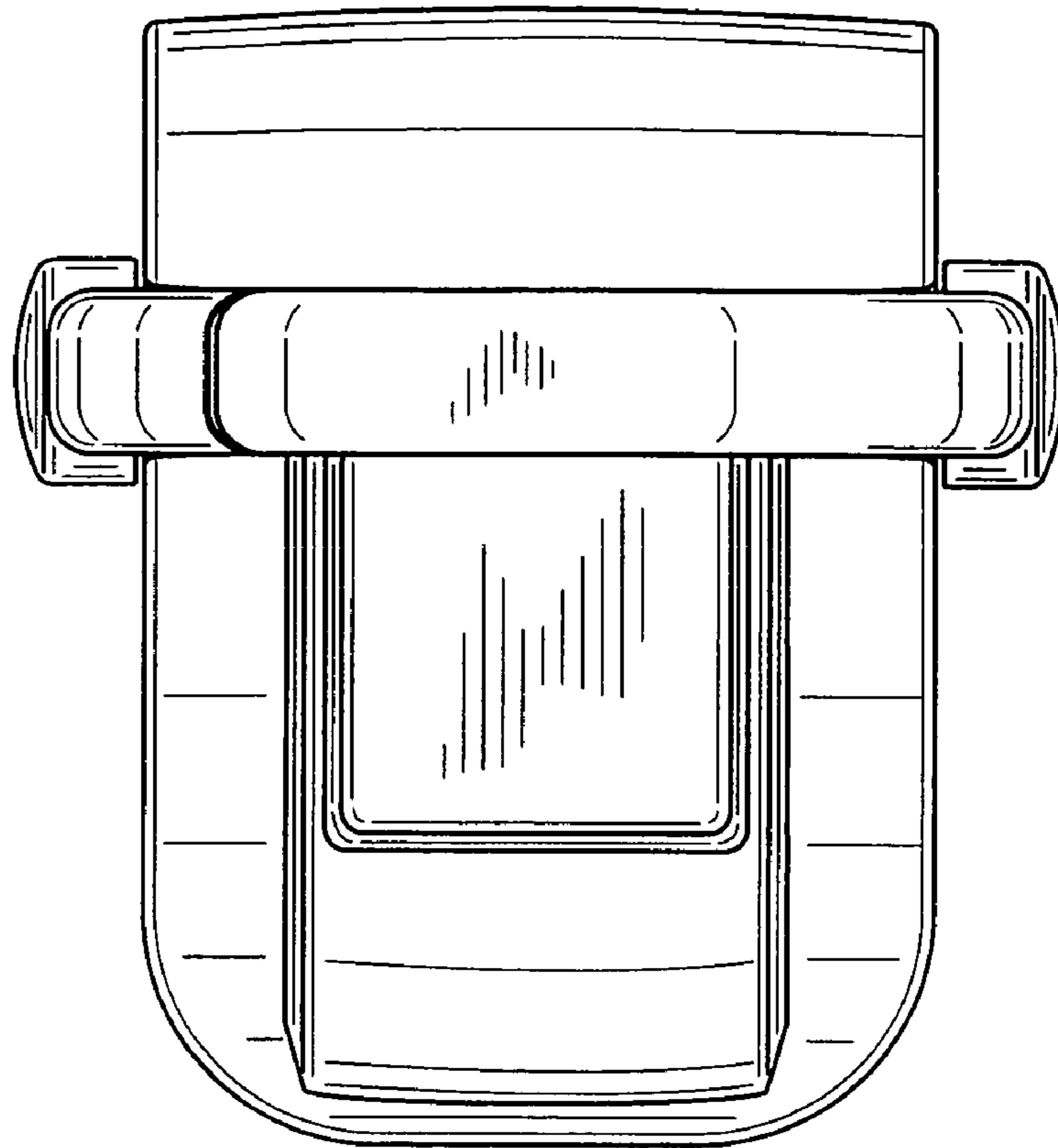


FIG. 7

